



US00D869987S

(12) **United States Design Patent**  
**Ryan**

(10) **Patent No.:** **US D869,987 S**

(45) **Date of Patent:** **\*\* Dec. 17, 2019**

(54) **MOLDED BARREL CONTAINER**

(71) Applicant: **Classic Home & Garden, LLC**,  
Monroe, CT (US)

(72) Inventor: **Fred Joseph Ryan**, Monroe, CT (US)

(73) Assignee: **CLASSIC HOME & GARDEN, LLC**,  
Monroe, CT (US)

(\*\*) Term: **15 Years**

(21) Appl. No.: **29/617,168**

(22) Filed: **Sep. 12, 2017**

(51) **LOC (12) Cl.** ..... **11-02**

(52) **U.S. Cl.**  
USPC ..... **D11/149**

(58) **Field of Classification Search**  
USPC ..... D6/403, 556, 557; D8/1; D11/143, 149,  
D11/152, 153  
CPC ..... A47G 7/047; A01G 9/22  
See application file for complete search history.

(56) **References Cited**

**U.S. PATENT DOCUMENTS**

2,045,189	A *	6/1936	Judd	.....	A01G 9/021 47/65.5
6,098,338	A *	8/2000	Tilton	.....	A01G 9/02 428/15
D491,487	S *	6/2004	Buss	.....	D11/152
D492,617	S *	7/2004	Axworthy	.....	D11/149
D536,277	S *	2/2007	Cabeza	.....	D11/152
D614,079	S *	4/2010	Woemer	.....	D11/152
D684,891	S *	6/2013	Team	.....	D11/149
D739,781	S *	9/2015	Pettigrew	.....	D11/152
D739,782	S *	9/2015	Pettigrew	.....	D11/152
D765,232	S *	8/2016	Horsfield	.....	D23/343
D819,490	S *	6/2018	Ryan	.....	D11/153
D823,158	S *	7/2018	Ryan	.....	D11/155

(Continued)

**OTHER PUBLICATIONS**

HomeDepot.com, Classic Home and Garden: Napa 20 in., Earliest comment Aug. 13, 2017, [Site visited Apr. 29, 2019], Available on

the Internet at URL [https://www.homedepot.com/p/Napa-20-in-Kentucky-Walnut-Resin-Wine-Barrel-Planter-HD1313-037/302655968?MERCH=REC--SearchPLPHorizontal1\\_rr--NA--302655968--N.\\*](https://www.homedepot.com/p/Napa-20-in-Kentucky-Walnut-Resin-Wine-Barrel-Planter-HD1313-037/302655968?MERCH=REC--SearchPLPHorizontal1_rr--NA--302655968--N.*)

(Continued)

*Primary Examiner* — Karen S Acker

*Assistant Examiner* — Steven B Reinholdt, Jr.

(74) *Attorney, Agent, or Firm* — Tutunjian & Bitetto, P.C.

(57) **CLAIM**

The ornamental design for a molded barrel container, as shown and described.

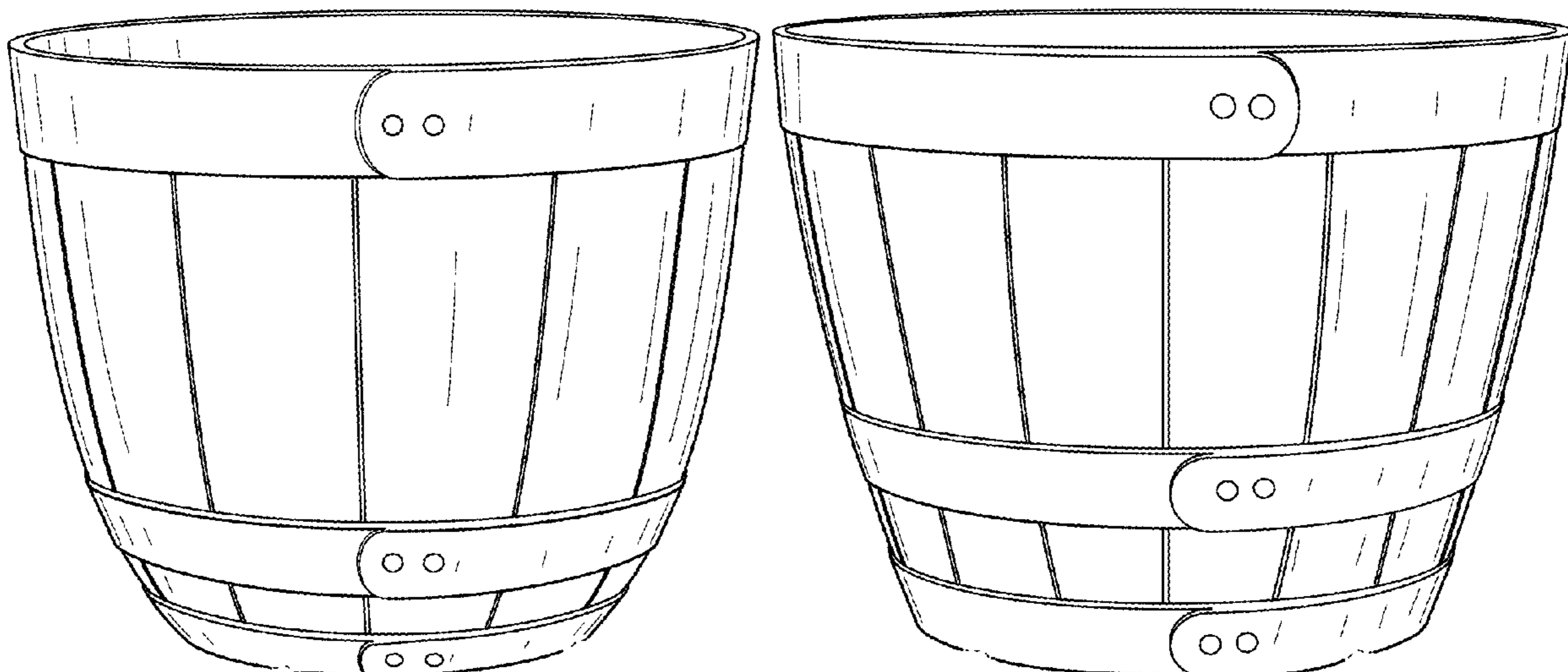
**DESCRIPTION**

FIG. 1 is a perspective view of a first embodiment of a molded barrel container showing my new design;  
FIG. 2 is a front view thereof;  
FIG. 3 is a rear view thereof;  
FIG. 4 is a right side view thereof;  
FIG. 5 is a left side view thereof;  
FIG. 6 is a top view thereof;  
FIG. 7 is a bottom view thereof;  
FIG. 8 is a perspective view of a second embodiment of the molded barrel container;  
FIG. 9 is a front view of thereof;  
FIG. 10 is a rear view thereof;  
FIG. 11 is a right side view thereof;  
FIG. 12 is a left side view thereof;  
FIG. 13 is a top view thereof; and,  
FIG. 14 is a bottom view thereof.

The circular elements in FIGS. 1, 2, 4, 5, 7, 8, 9, 11, 12, and 14 are surface ornamentation. The broken lines at the bottom edge of the article in both embodiments depict portions of the molded barrel container that form no part of the claimed design.

The broken lines represent portions of the molded barrel container and form no part of the claimed design.

**1 Claim, 14 Drawing Sheets**



(56)

**References Cited**

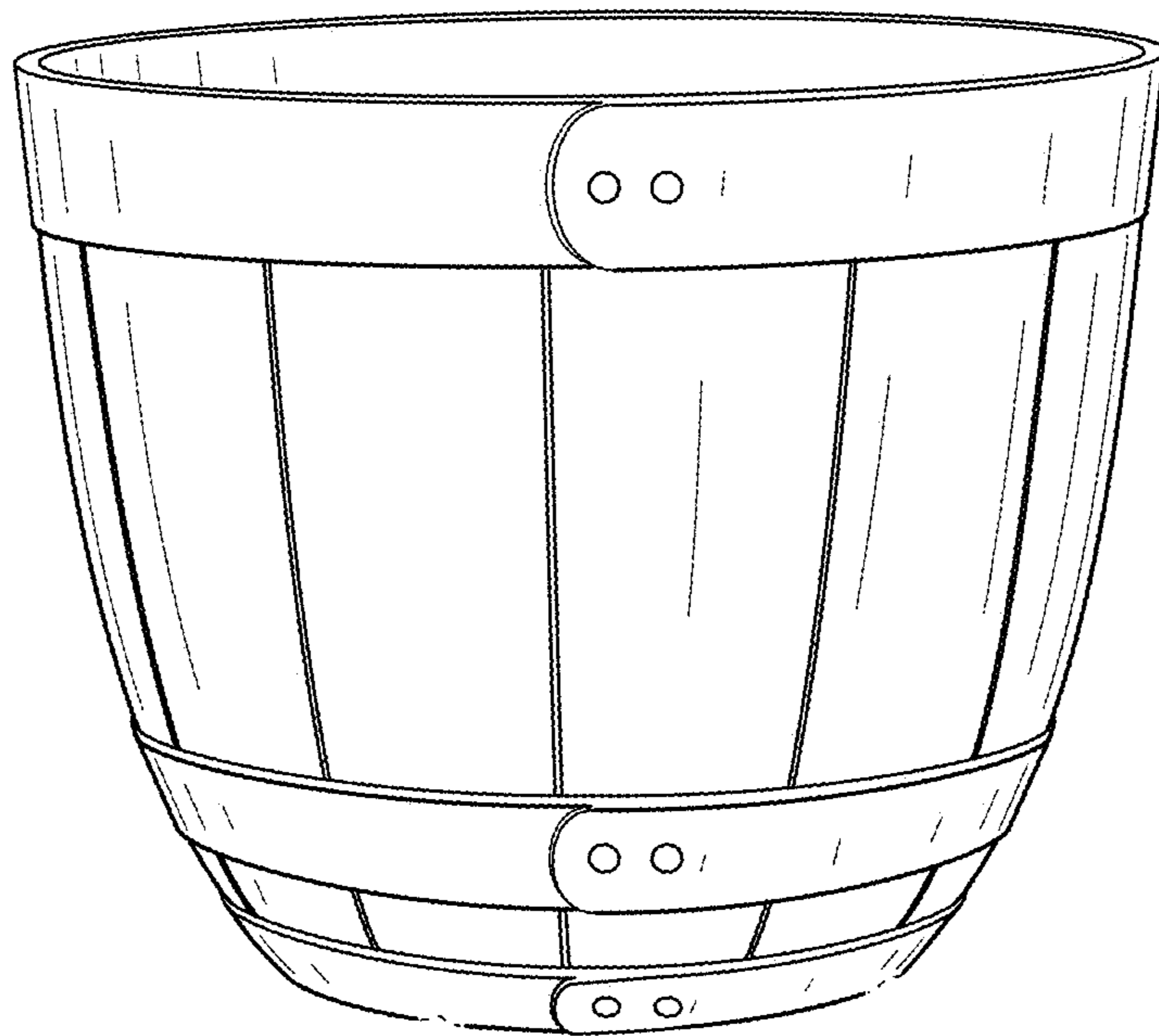
U.S. PATENT DOCUMENTS

D831,534 S \* 10/2018 Wang ..... D11/152  
D840,264 S \* 2/2019 Ryan ..... D11/155  
2017/0055459 A1\* 3/2017 Takaoka ..... A01G 9/02

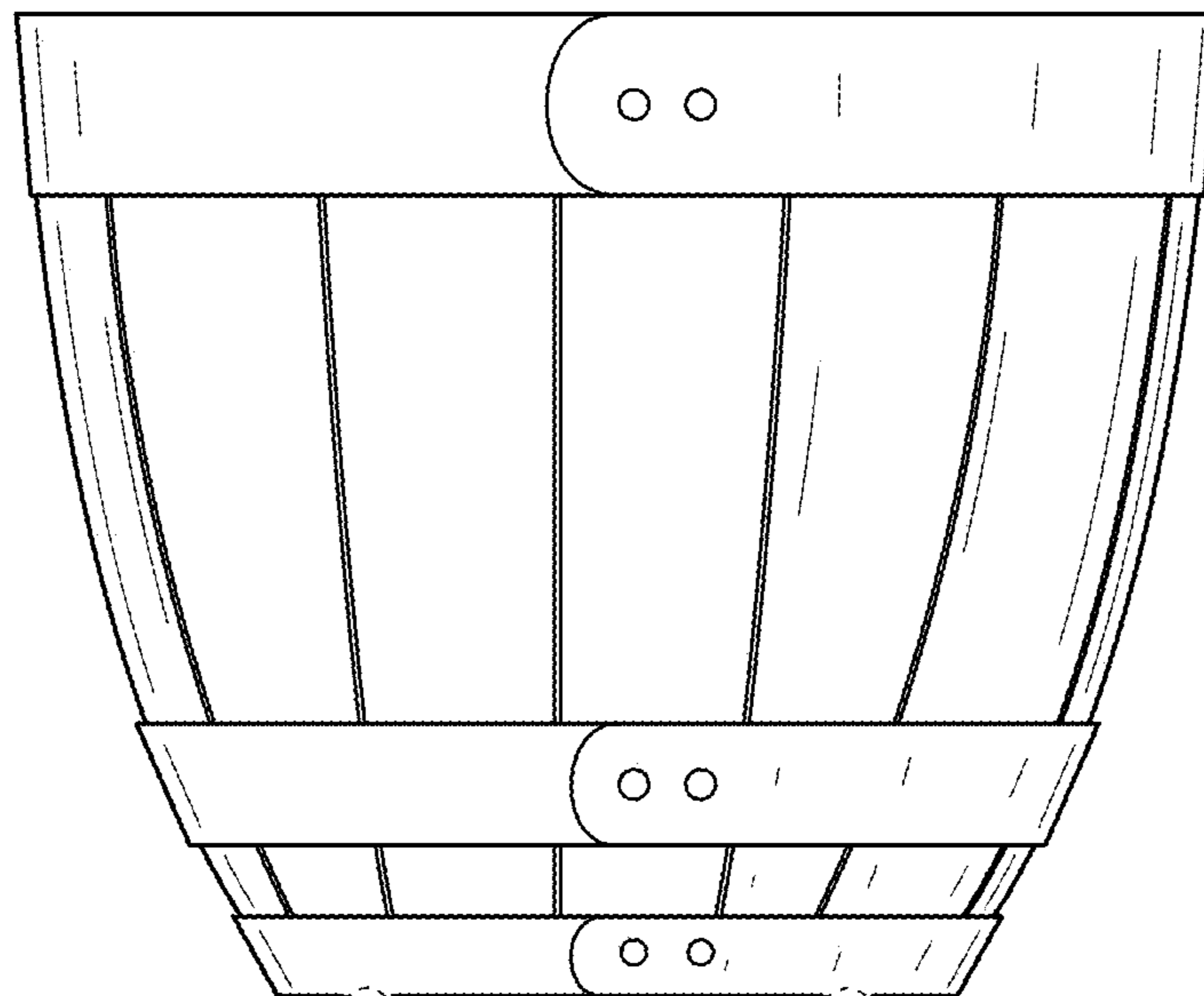
OTHER PUBLICATIONS

HomeDepot.com, Classic Home and Garden: Napa Barrel 12 in.,  
Earliest comment date Apr. 2, 2019, [Site visited Apr. 29, 2019],  
Available on the Internet at URL [https://www.homedepot.com/p/  
Classic-Home-Garden-Napa-Barrel-12-in-Kentucky-Walnut-Resin-  
Planter-HD1403-037R/306580884](https://www.homedepot.com/p/Classic-Home-Garden-Napa-Barrel-12-in-Kentucky-Walnut-Resin-Planter-HD1403-037R/306580884).\*

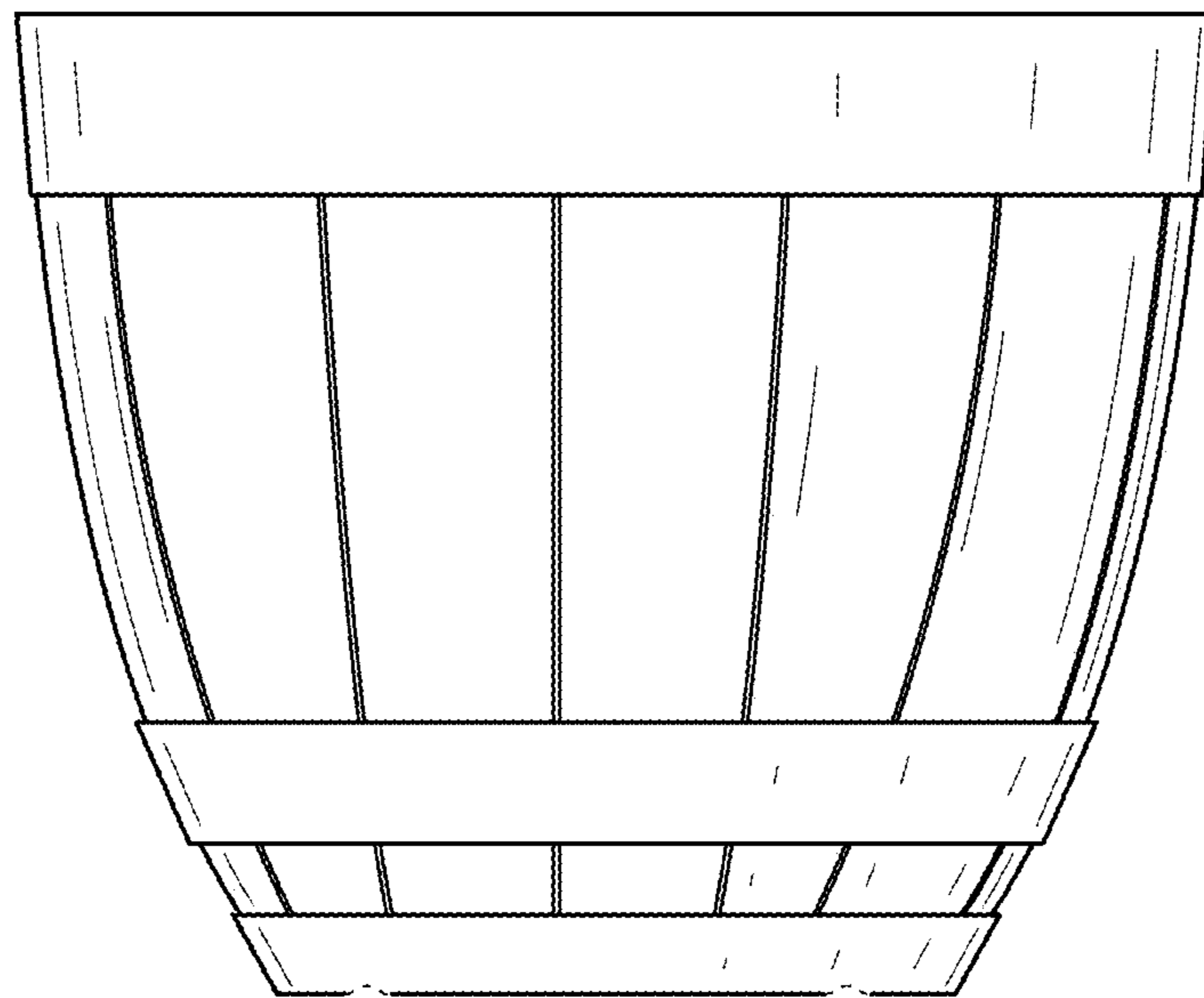
\* cited by examiner



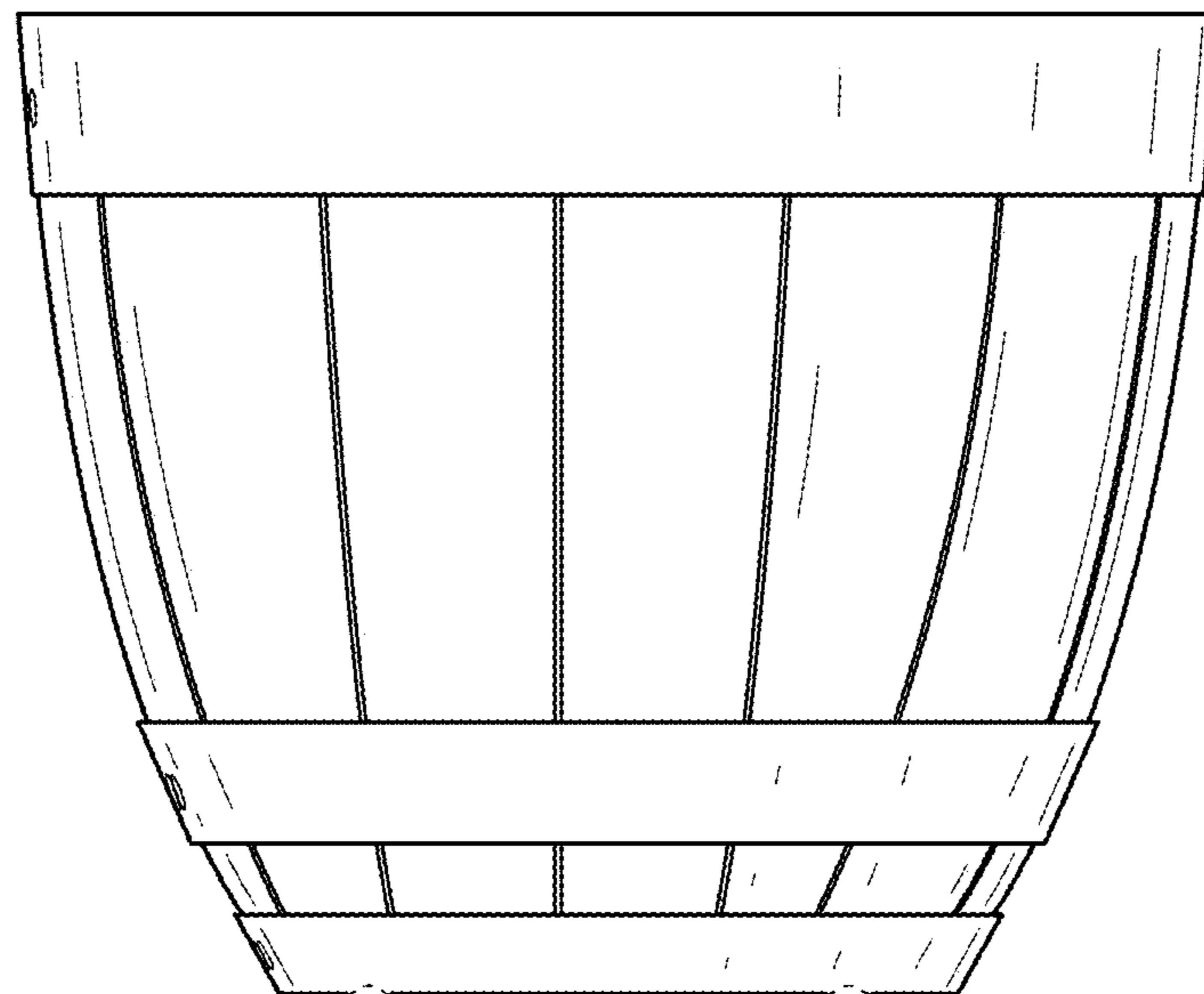
**FIG. 1**



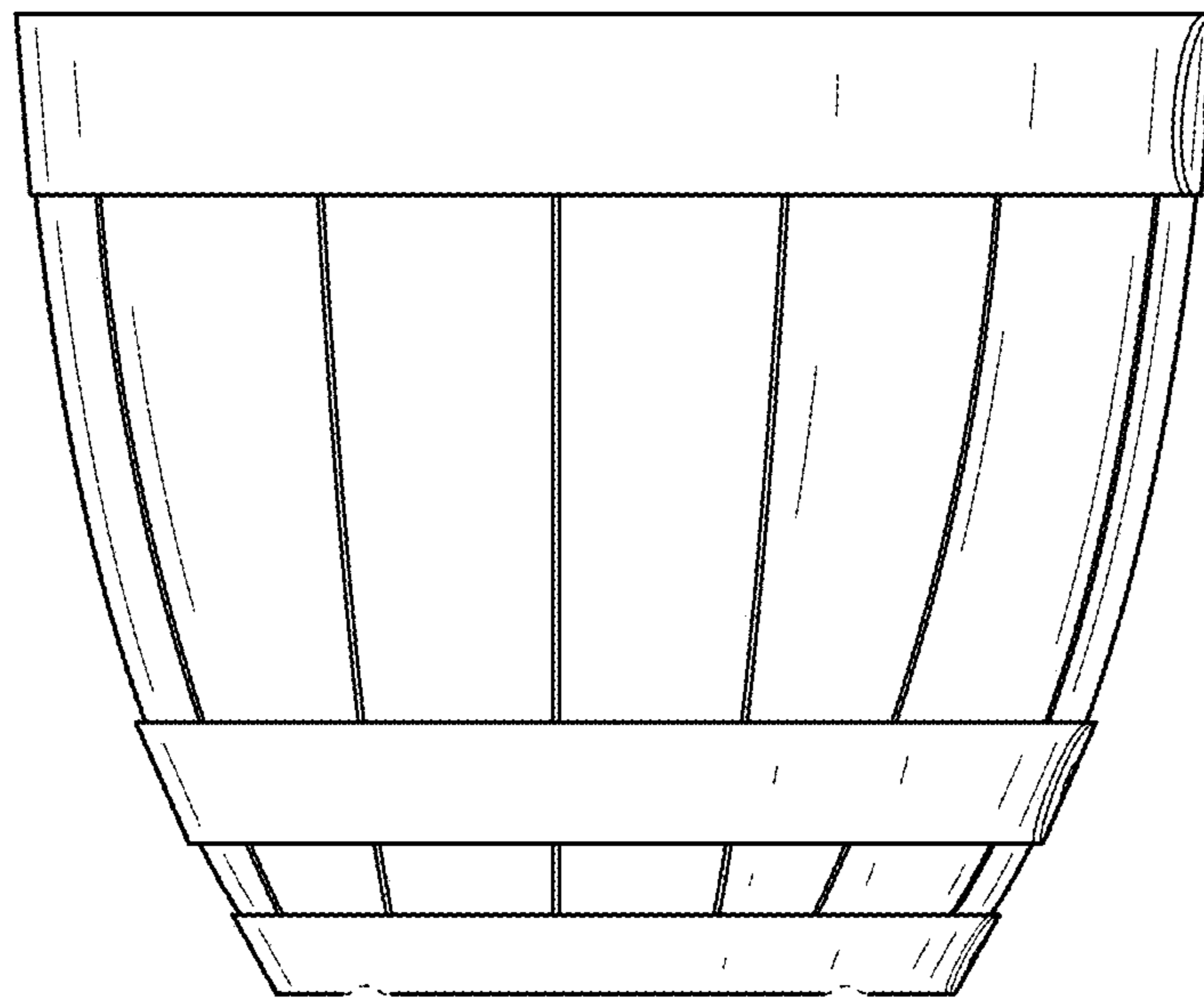
**FIG. 2**



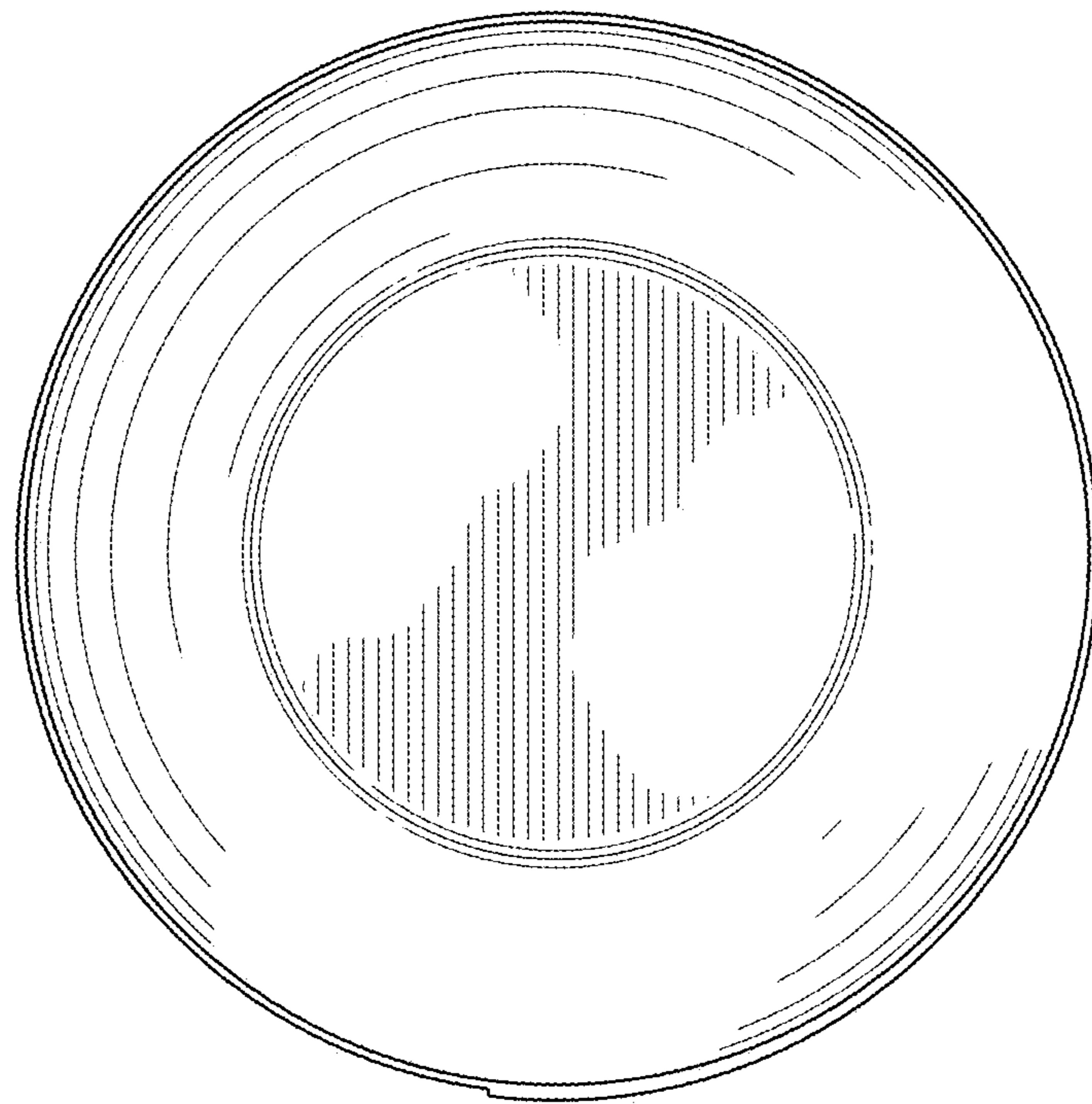
**FIG. 3**



**FIG. 4**

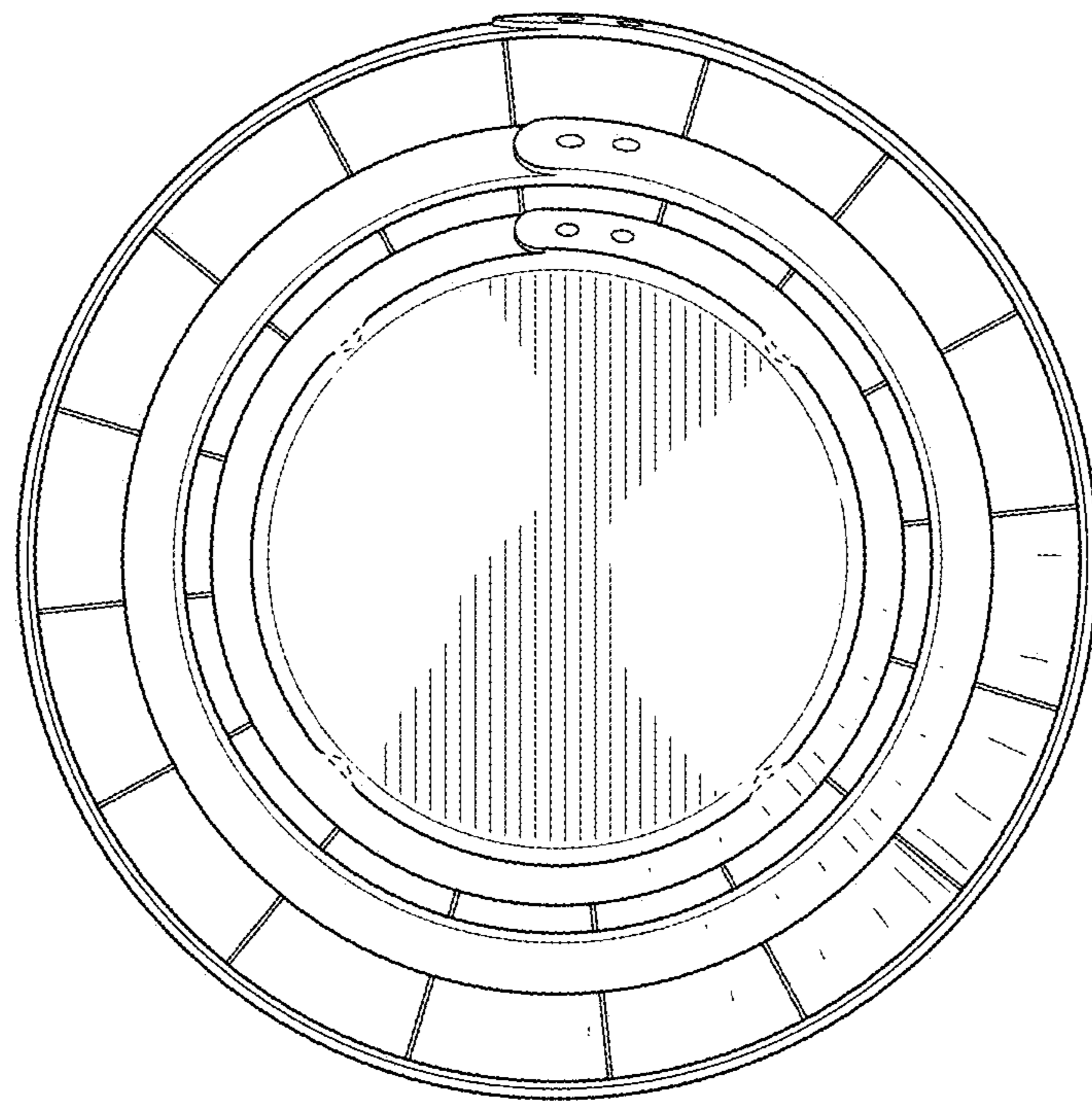


**FIG. 5**

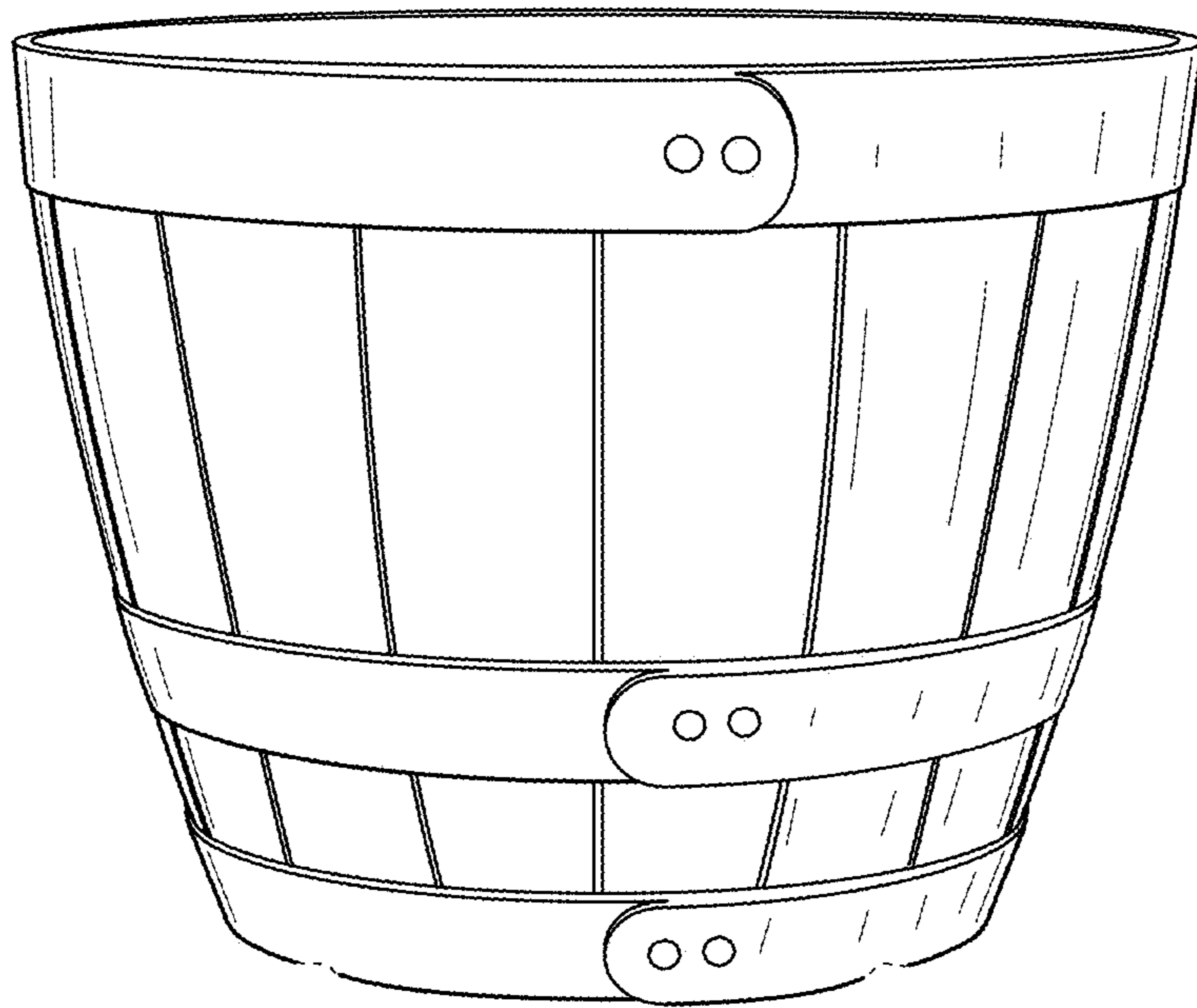


**FIG. 6**

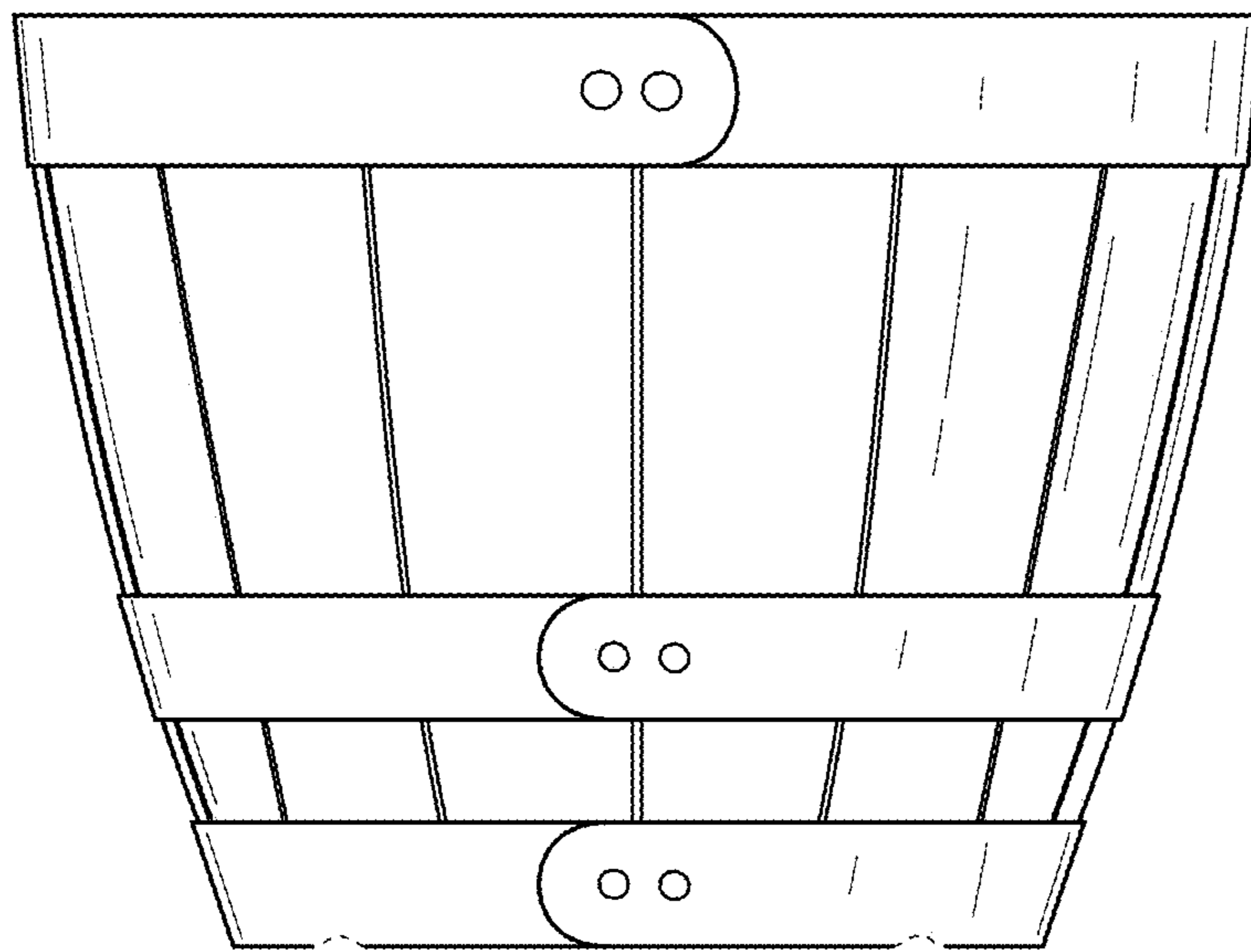




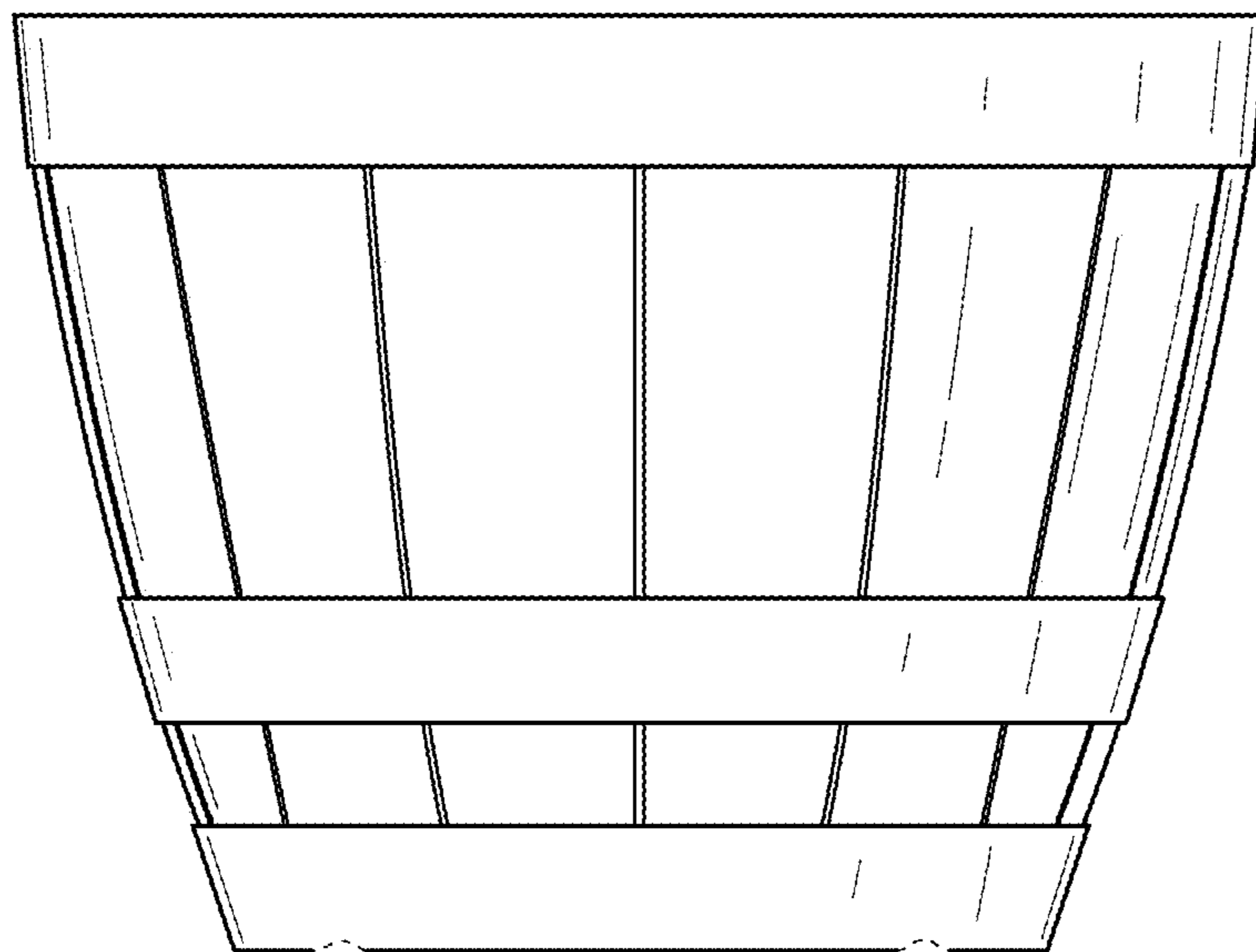
**FIG. 7**



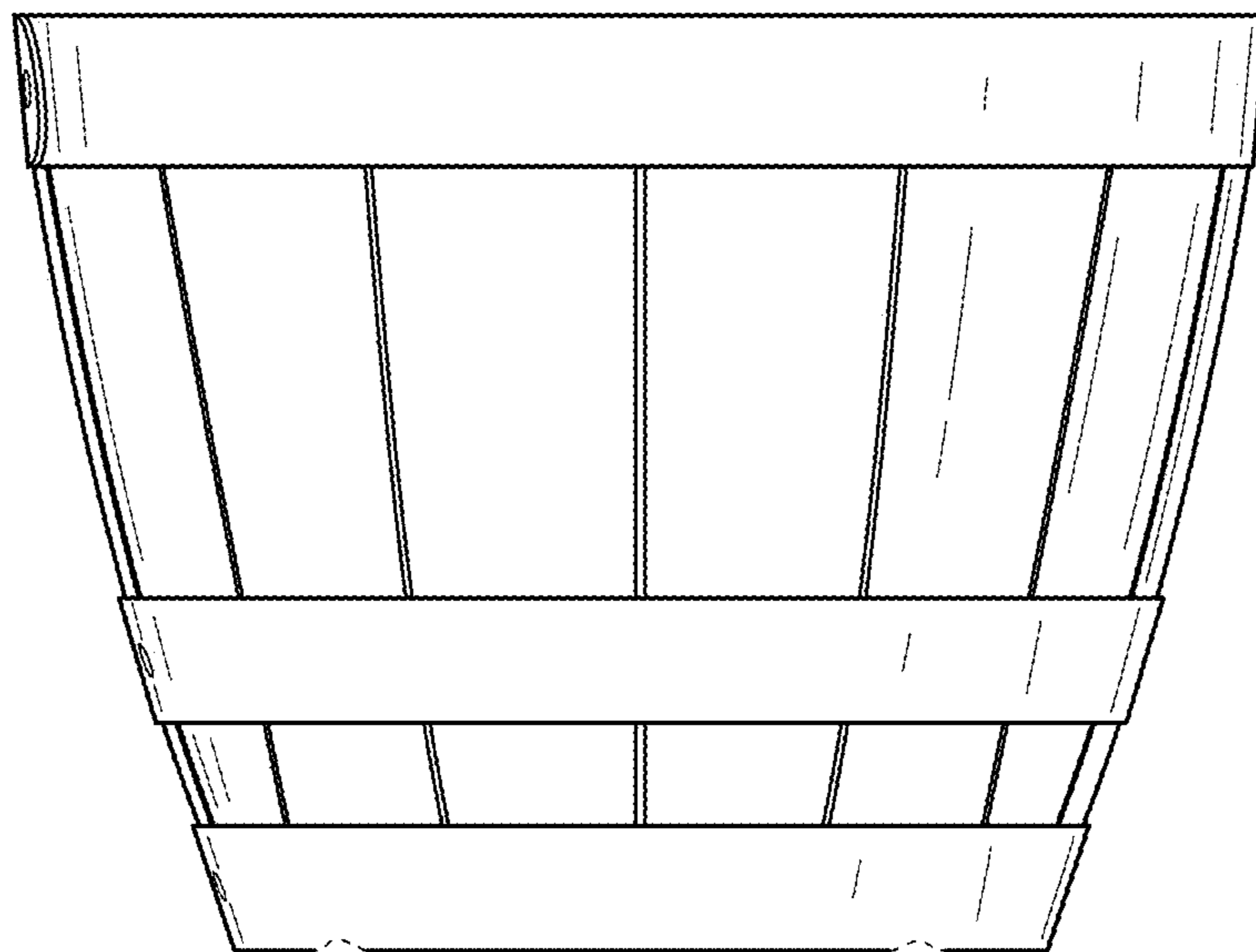
**FIG. 8**



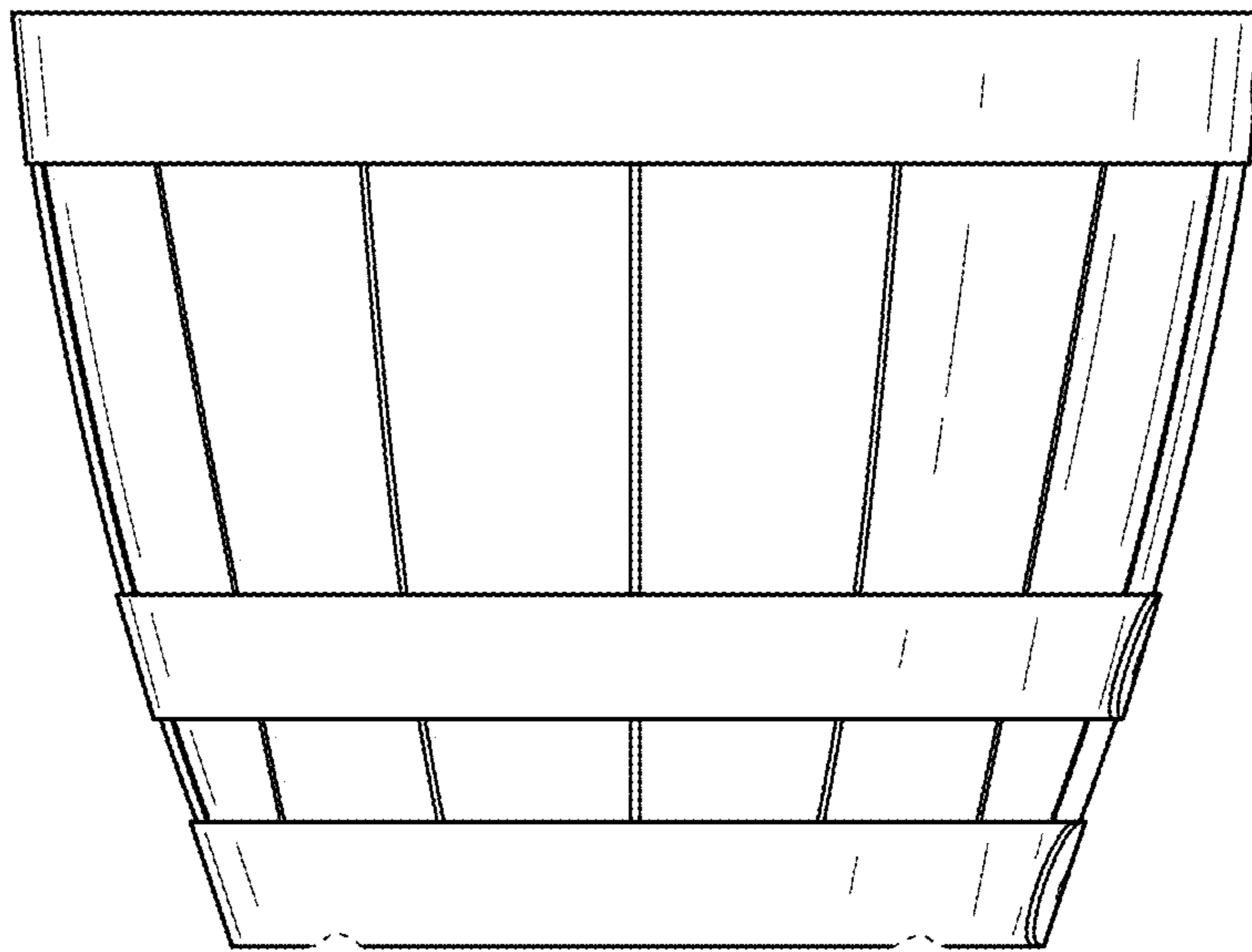
**FIG. 9**



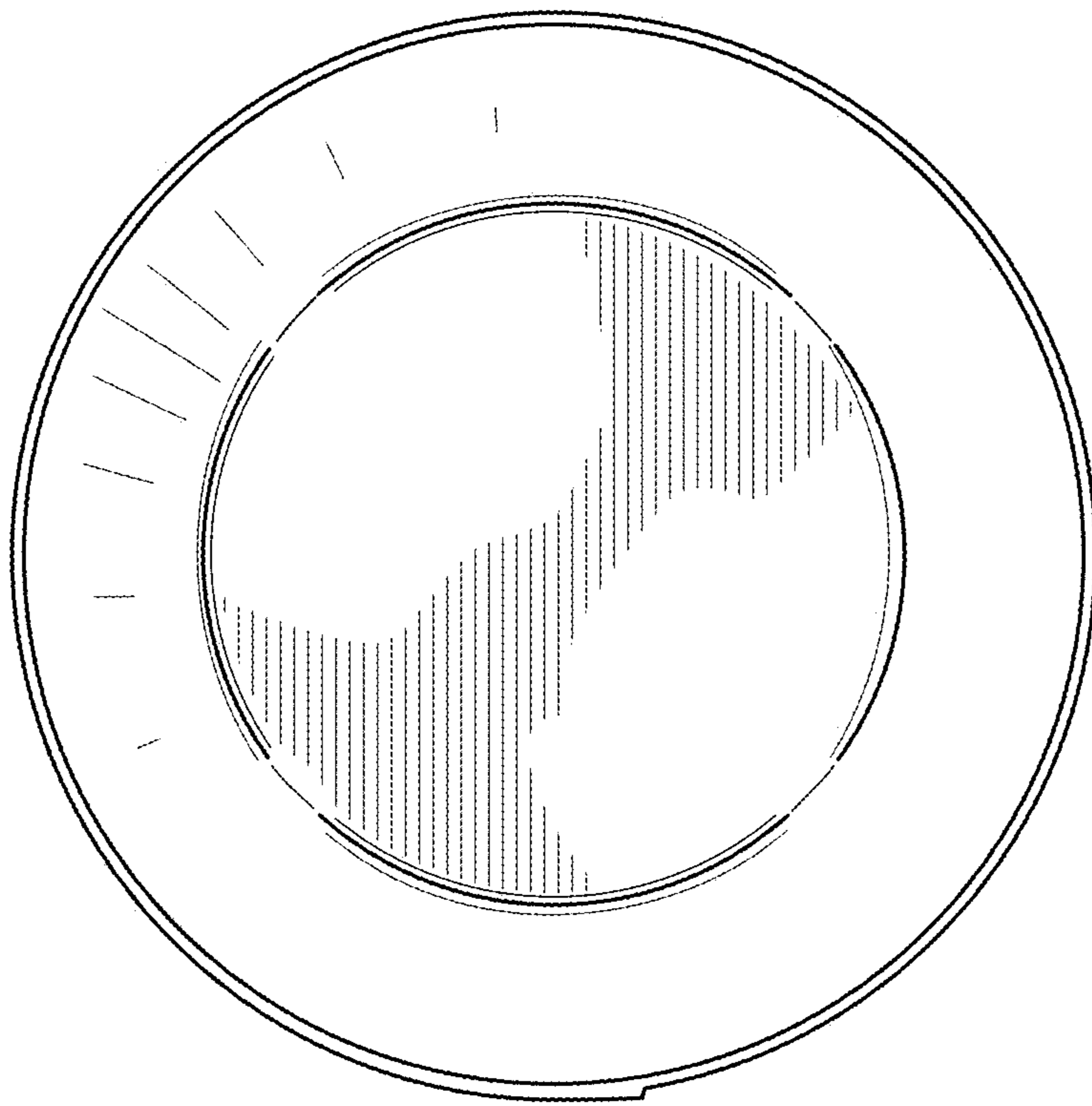
**FIG. 10**



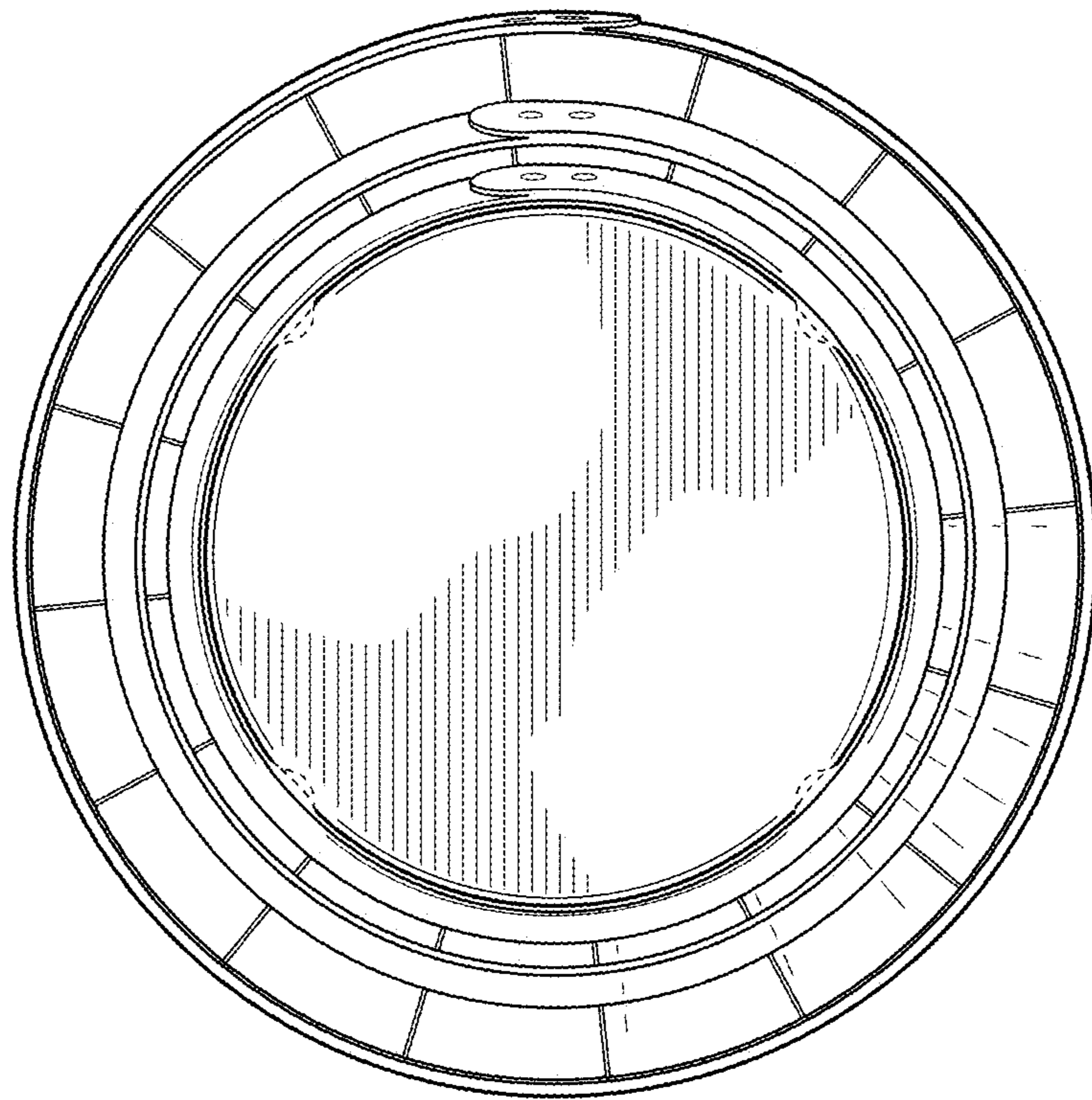
**FIG. 11**



**FIG. 12**



**FIG. 13**



**FIG. 14**