

US00D869983S

(12) **United States Design Patent**  
**Deng**

(10) **Patent No.:** **US D869,983 S**

(45) **Date of Patent:** **\*\* Dec. 17, 2019**

(54) **EMBEDDED WATCH BUCKLE**  
(71) Applicant: **SHENZHEN BAILINNAO TECHNOLOGY CO., LTD.**, Shenzhen (CN)

D353,347 S \* 12/1994 St. Dizier ..... D11/94  
D470,791 S \* 2/2003 Modolo ..... D11/94  
D535,916 S \* 1/2007 Mouquet ..... D11/231  
D619,928 S \* 7/2010 Bodino ..... D11/231  
D721,986 S \* 2/2015 Cerrato ..... D11/94

(72) Inventor: **Jianjie Deng**, Guilin (CN)  
(73) Assignee: **SHENZHEN BAILINNAO TECHNOLOGY CO., LTD.**, Shenzhen (CN)

**OTHER PUBLICATIONS**

“ZLIMSN Stainless Steel Butterfly Deployment Buckle Double Push Spring Bar Watch Band Clasp PVD Finish”, Retrieved Aug. 16, 2019]. Retrieved from Internet, <https://www.aliexpress.com/item/32878477877.html>.

(\*\*) Term: **15 Years**

\* cited by examiner

(21) Appl. No.: **29/702,293**

*Primary Examiner* — Zenia I Bennett

(22) Filed: **Aug. 19, 2019**

(74) *Attorney, Agent, or Firm* — Tony Hom, Esq.

(51) **LOC (12) Cl.** ..... **11-01**

(57) **CLAIM**

(52) **U.S. Cl.**  
USPC ..... **D11/94**

The ornamental design for embedded watch buckle, as shown and described.

(58) **Field of Classification Search**  
USPC ..... D11/94, 201, 231, 230; D10/30–32  
CPC .... A44C 5/00; A44C 5/14; A44C 5/18; A44C 5/147; A44C 5/185; A44B 11/00; A44B 11/10; A44B 11/24; A44B 11/04; A44B 11/06; A44B 11/006  
See application file for complete search history.

**DESCRIPTION**

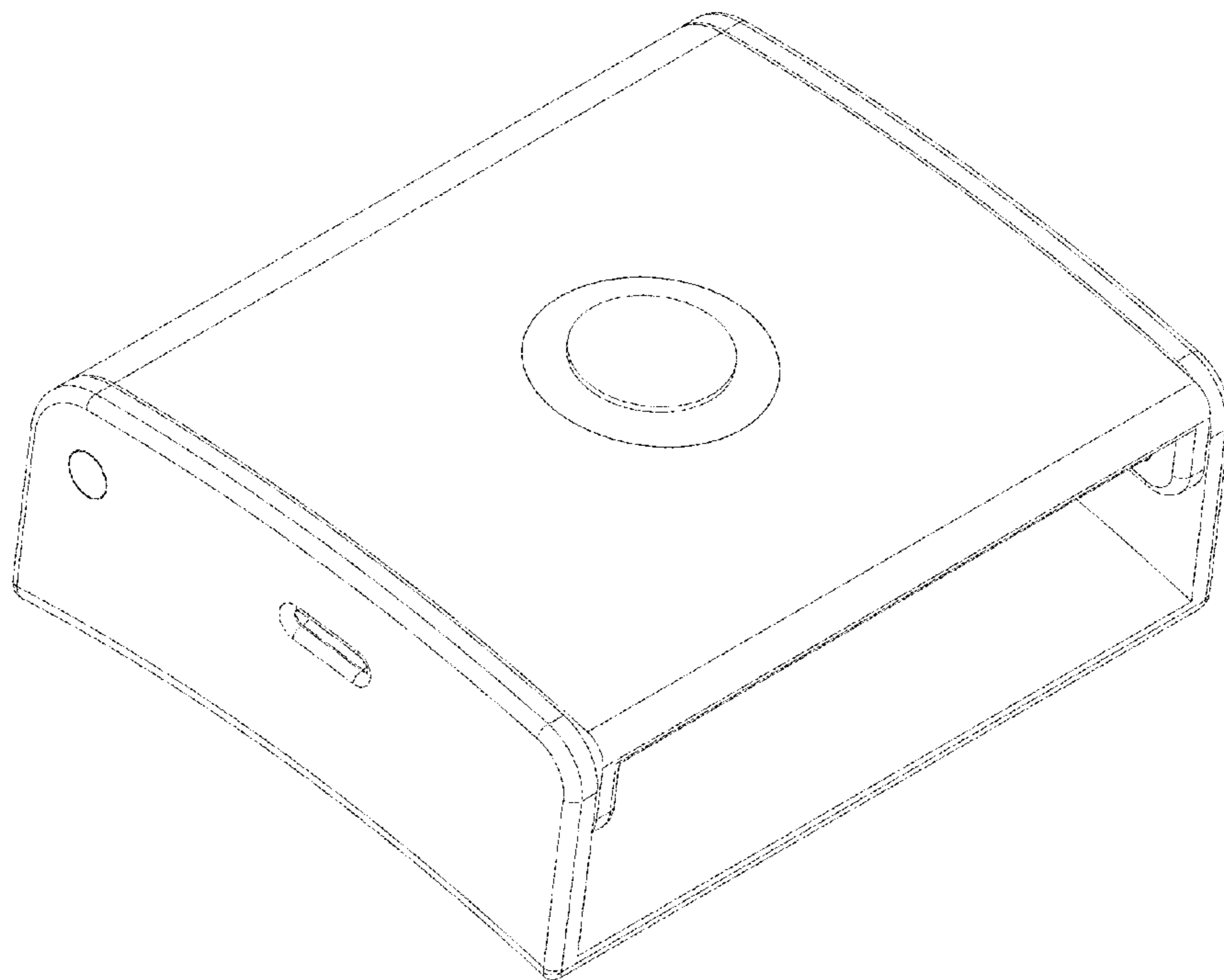
FIG. 1 is a stereogram view thereof;  
FIG. 2 is a front elevational view of embedded watch buckle where the embedded watch buckle is separated;  
FIG. 3 is a front elevational view thereof;  
FIG. 4 is a top plan view thereof;  
FIG. 5 is a bottom plan view thereof;  
FIG. 6 is a right side elevational view thereof;  
FIG. 7 is a left side elevational view thereof;  
FIG. 8 is a side view thereof; and,  
FIG. 9 is a rendering view thereof.

(56) **References Cited**

**U.S. PATENT DOCUMENTS**

D246,488 S \* 11/1977 Zimmerman ..... D11/231  
D256,402 S \* 8/1980 Okura ..... D10/31

**1 Claim, 9 Drawing Sheets**



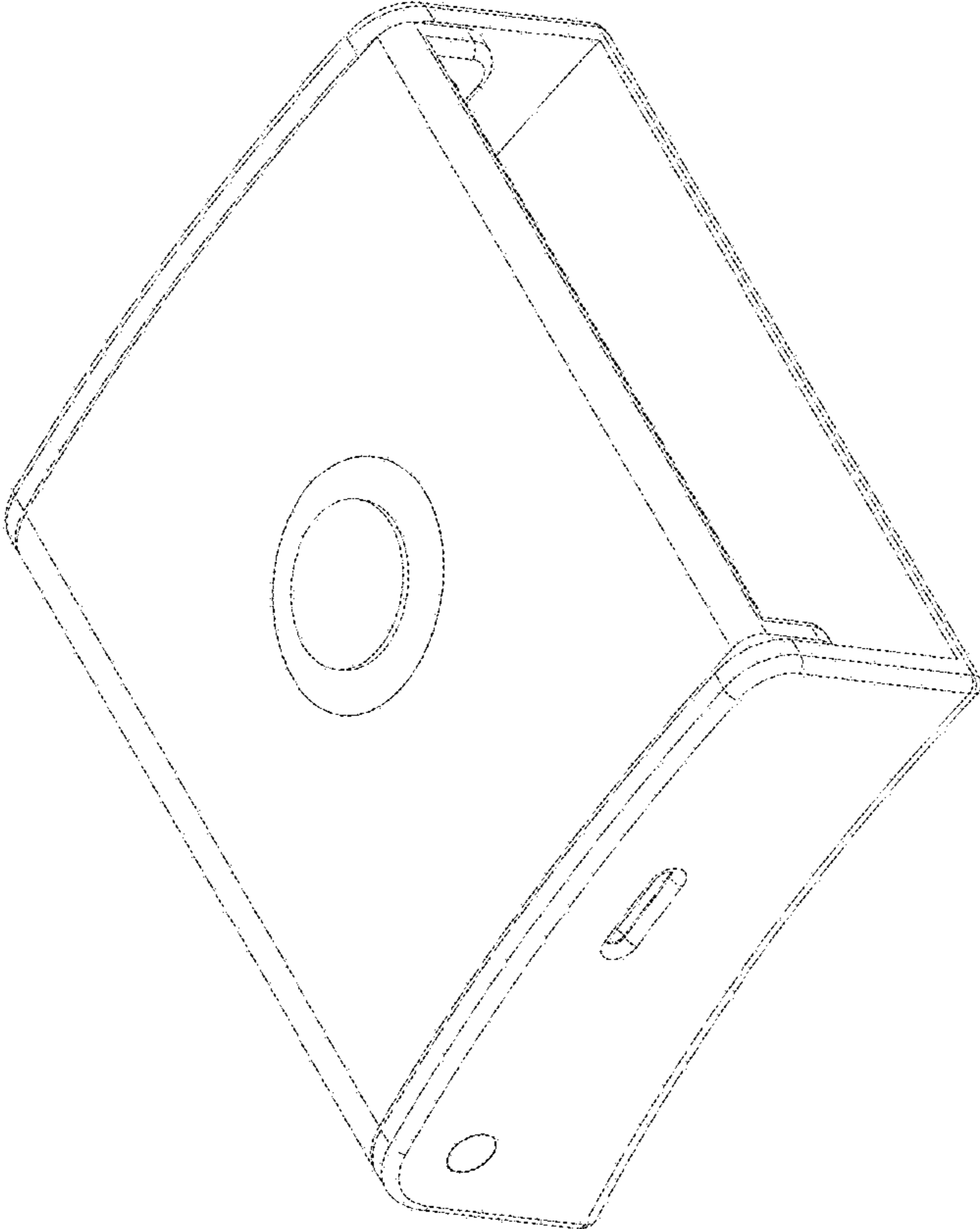


FIG. 1

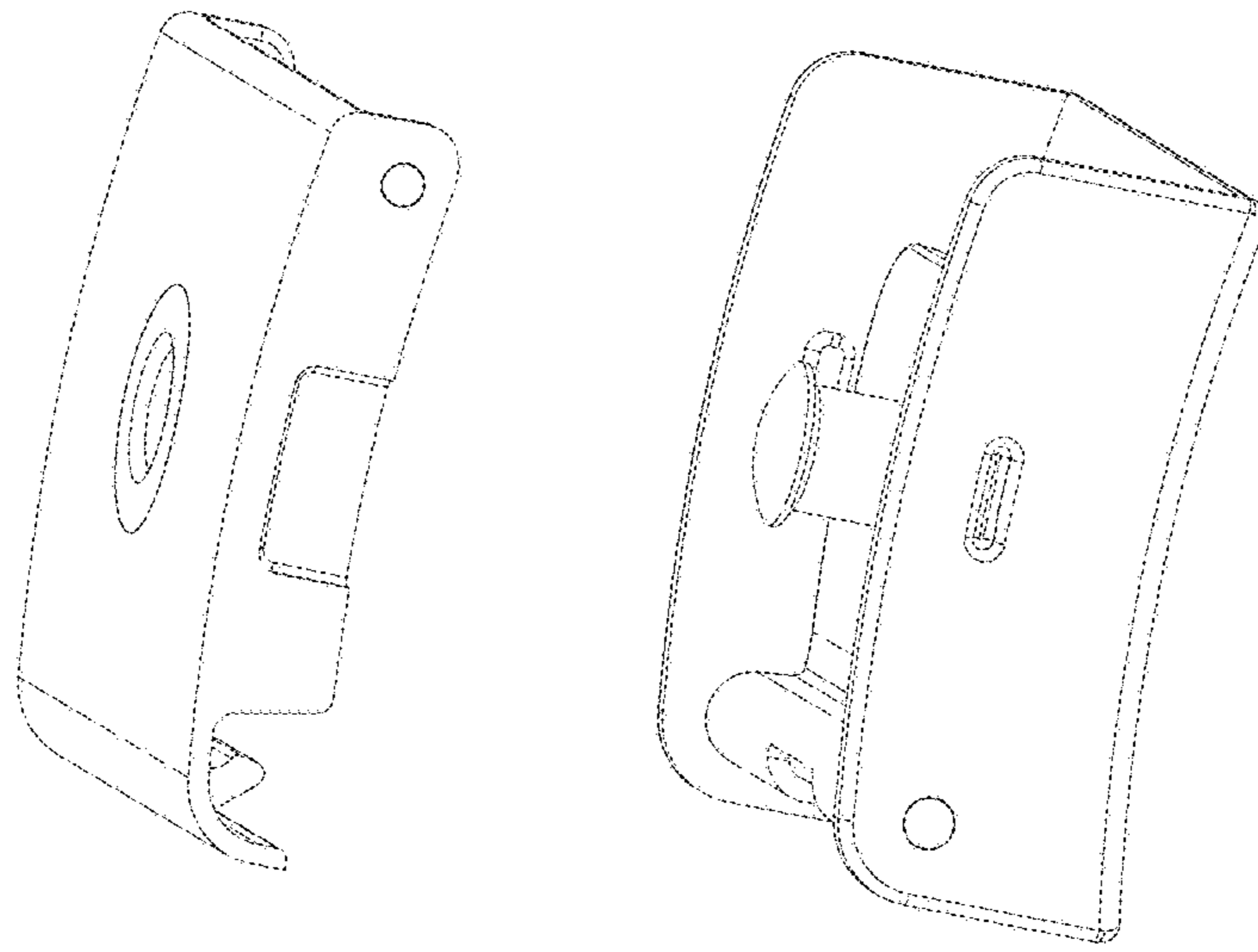


FIG. 2

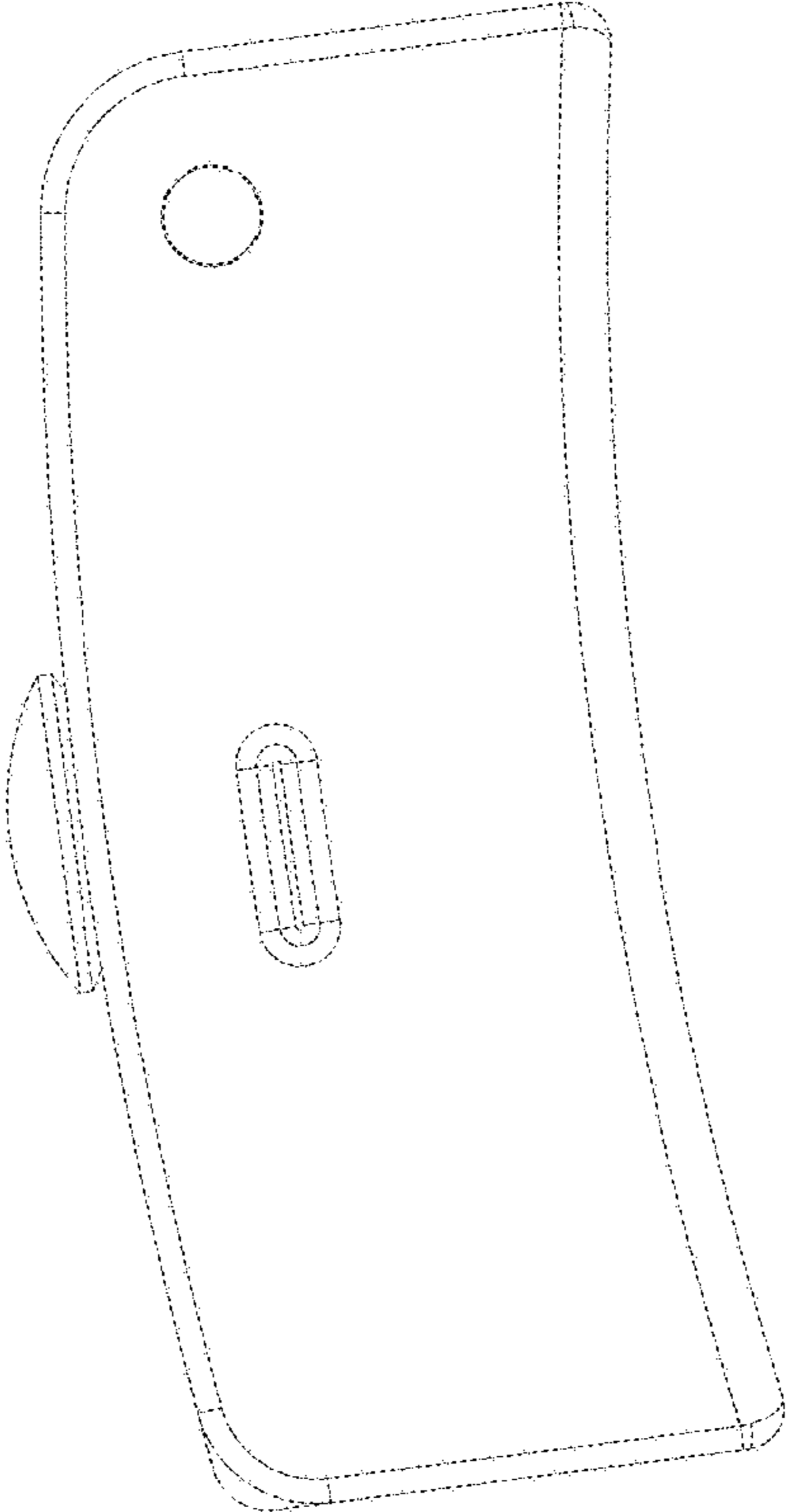


FIG. 3

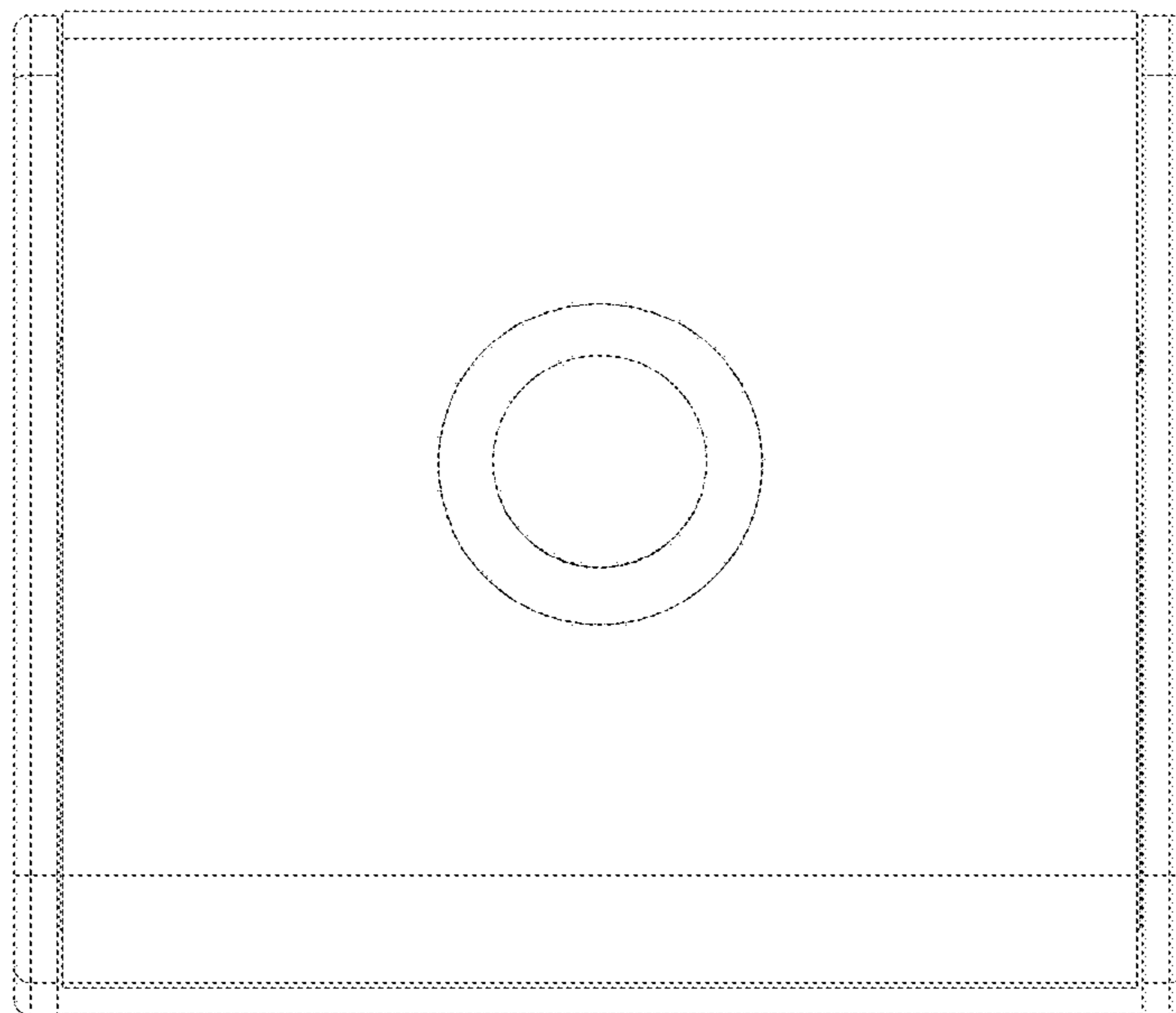


FIG. 4

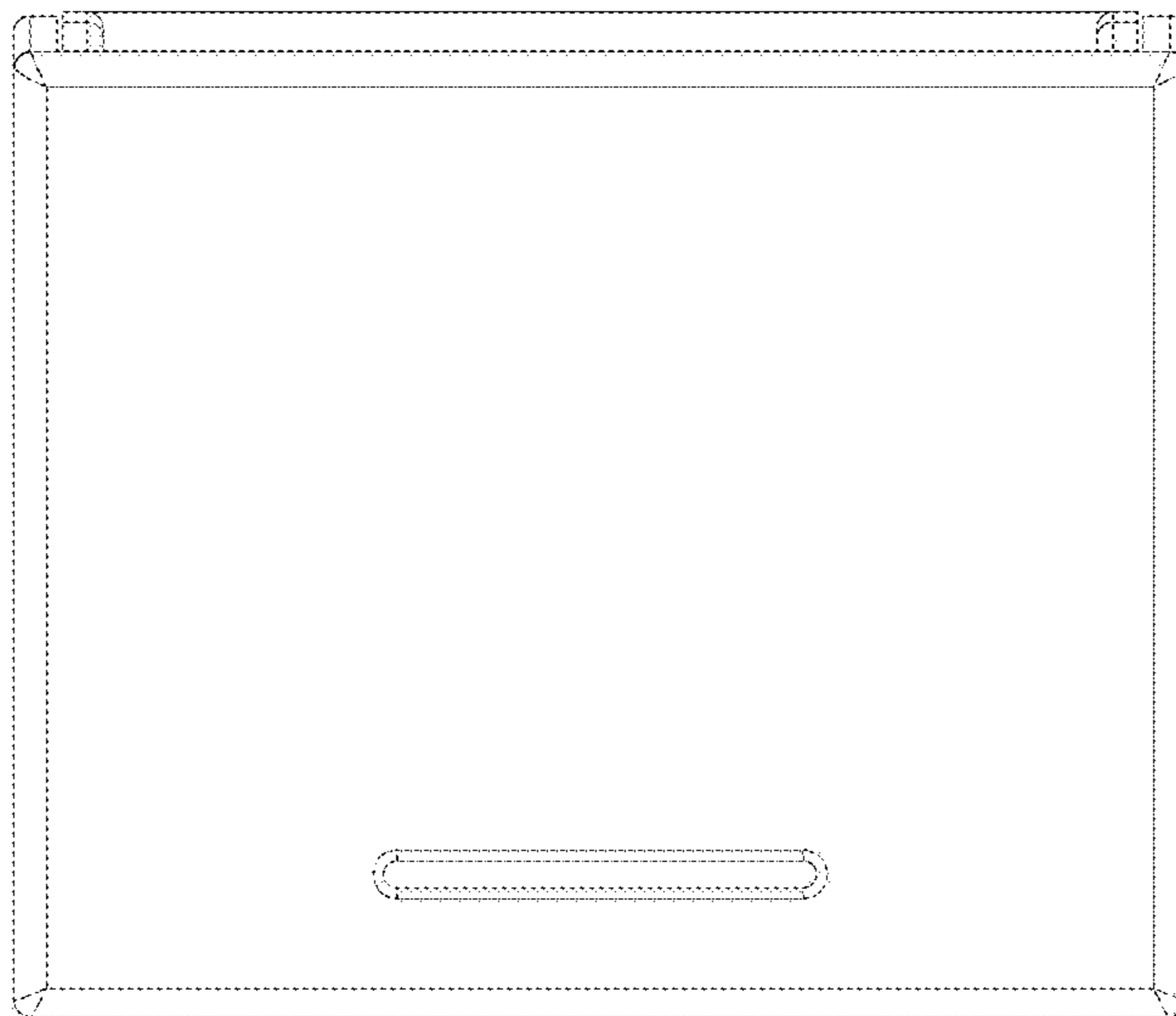


FIG. 5

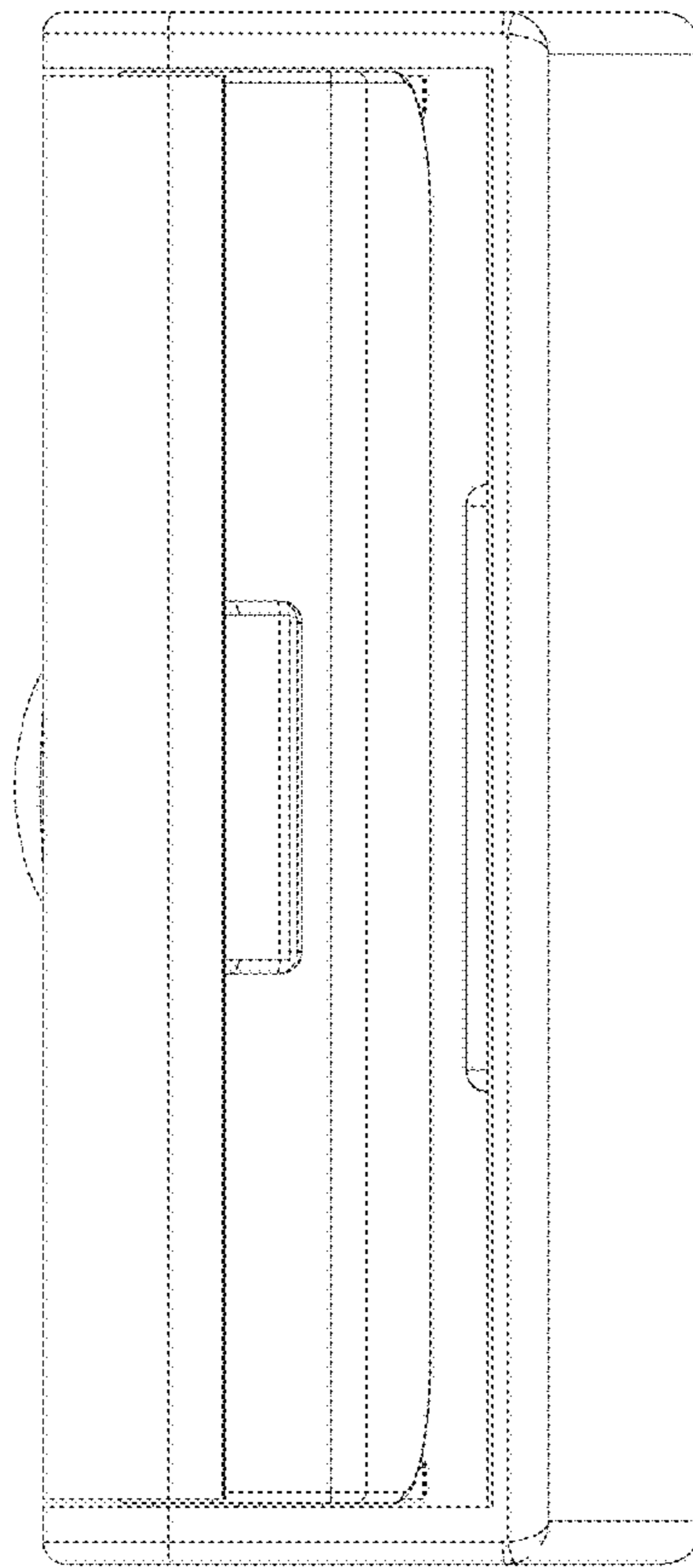


FIG. 6

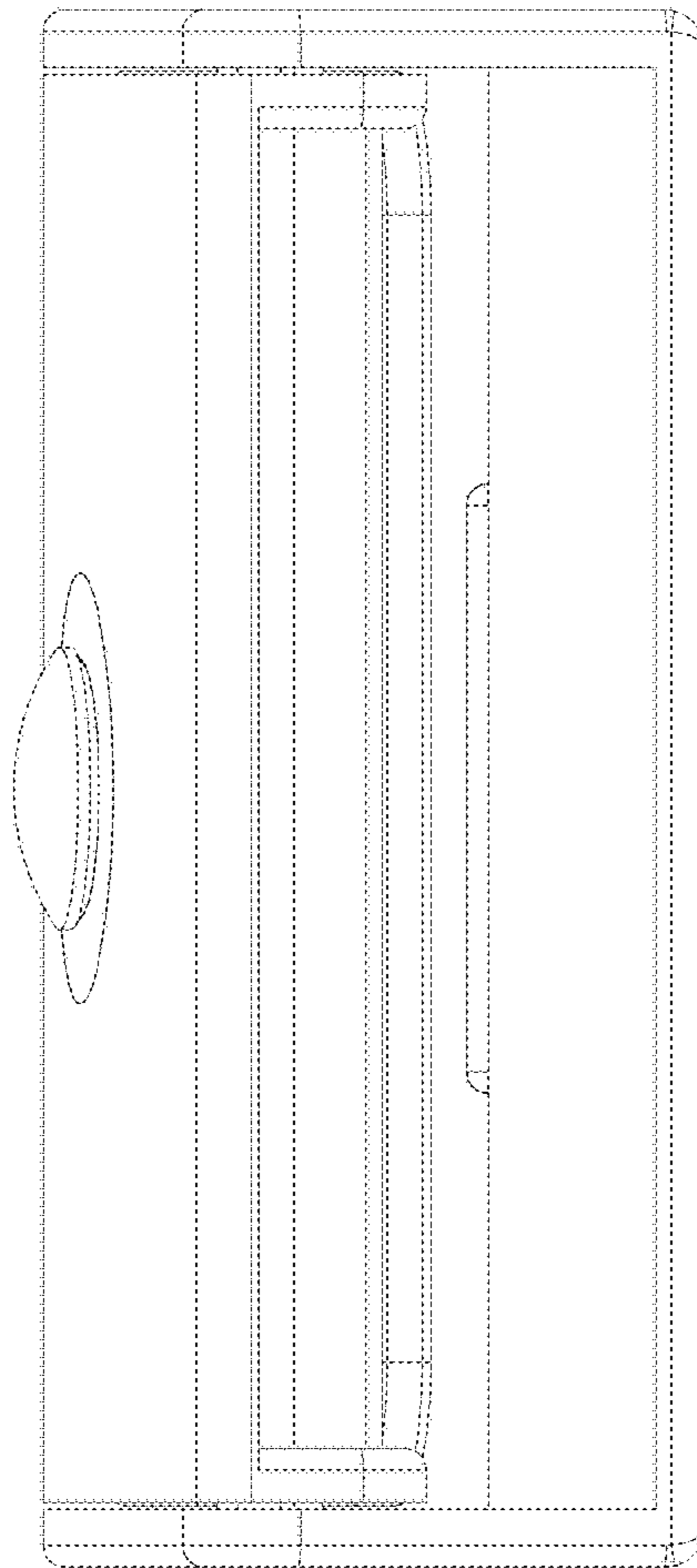


FIG. 7



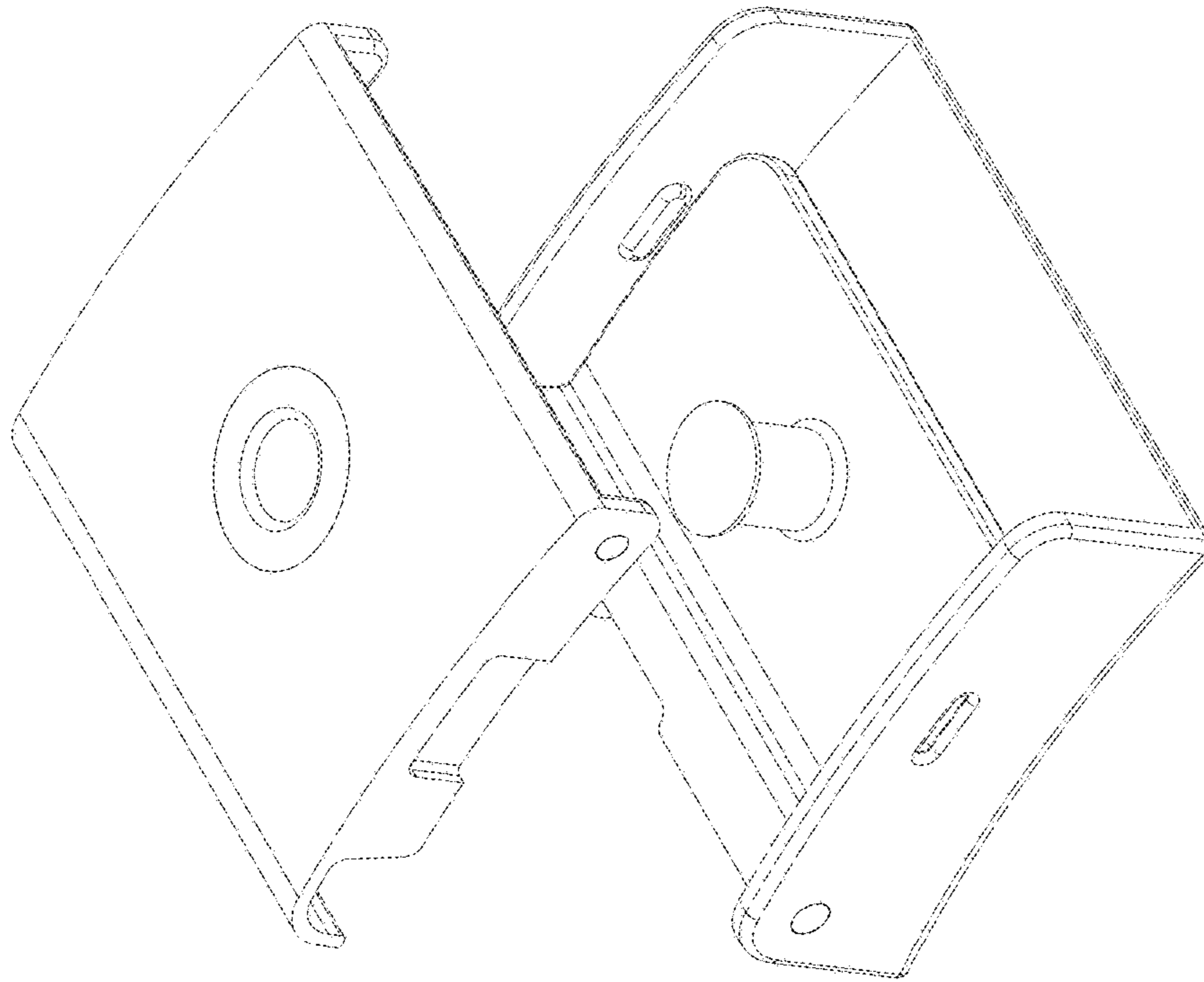


FIG. 8

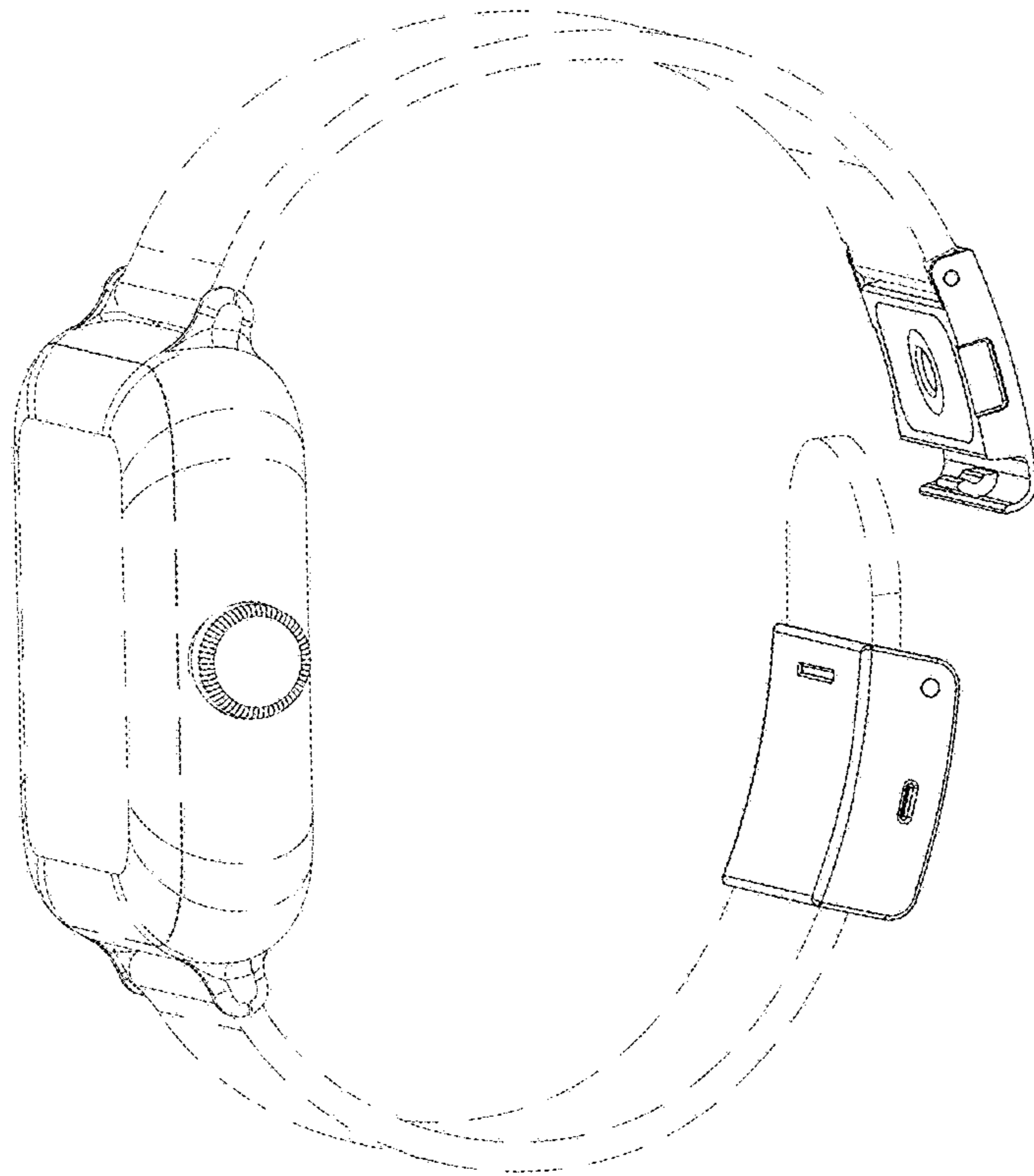


FIG. 9