

US00D869980S

(12) **United States Design Patent** (10) **Patent No.:** **US D869,980 S**  
**Gruosi-Scheufele** (45) **Date of Patent:** **\*\* Dec. 17, 2019**

(54) **JEWELLERY ITEM**

(71) Applicant: **CHOPARD INTERNATIONAL SA,**  
Prangins (CH)

(72) Inventor: **Karolin Gruosi-Scheufele,** Prangins  
(CH)

(73) Assignee: **CHOPARD INTERNATIONAL SA,**  
Prangins (CH)

(\*\*) Term: **15 Years**

(21) Appl. No.: **29/610,264**

(22) Filed: **Jul. 11, 2017**

(30) **Foreign Application Priority Data**

Jan. 12, 2017 (WO) ..... DM/094 683

(51) **LOC (12) Cl.** ..... **11-01**

(52) **U.S. Cl.**  
USPC ..... **D11/79; D11/93**

(58) **Field of Classification Search**  
USPC .... D11/1-25, 40, 41, 43-46, 48, 69, 77, 78,  
D11/79, 80, 81, 86, 87, 93, 97, 98, 201,  
D11/203, 208, 209, 211, 218, 219  
CPC .. A44C 5/00; A44C 5/02; A44C 5/025; A44C  
5/027; A44C 5/0007; A44C 5/0053; A44C  
5/0076; A44C 5/2028; A44C 5/102; A44C  
5/105; A44C 5/12; A44C 5/14; A44C  
5/18; A44C 17/02; A44C 17/0216; A44C  
17/0258; A44C 17/0266

See application file for complete search history.

(56) **References Cited**

**U.S. PATENT DOCUMENTS**

D7,417 S \* 5/1874 Cottle ..... D11/86  
D75,488 S \* 6/1928 Grasmere ..... D11/87  
D120,593 S \* 5/1940 Philippe ..... D11/10  
D131,373 S \* 2/1942 Chernow ..... D11/12

D243,836 S \* 3/1977 Durante ..... D11/12  
D246,357 S \* 11/1977 Durante ..... D11/40  
D340,879 S \* 11/1993 French ..... D11/3  
D390,129 S \* 2/1998 Brzezinski ..... D10/32  
D407,035 S \* 3/1999 Ambar ..... D11/6  
D411,899 S \* 7/1999 Martz ..... D11/7  
D566,603 S \* 4/2008 Bulgari ..... D11/7  
D595,174 S \* 6/2009 Hardy ..... D11/11  
D643,325 S \* 8/2011 Marchand ..... D11/43  
D651,930 S \* 1/2012 Marchand ..... D11/3  
D672,678 S \* 12/2012 Nadeau ..... D11/11  
D707,150 S \* 6/2014 Pugnet ..... D11/13  
D720,647 S \* 1/2015 Kwon ..... D11/43  
D723,412 S \* 3/2015 Kwon ..... D11/16  
D761,152 S \* 7/2016 Wong ..... D11/93  
D831,522 S \* 10/2018 Gruosi-Scheufele ..... D11/4

(Continued)

**OTHER PUBLICATIONS**

Ice Cube Jewelry (available online) Retrieved from the internet  
Aug. 6, 2019 from URL: <https://www.chopard.com/us/jewelry/ice-cube>.\*

(Continued)

*Primary Examiner* — Kevin K Rudzinski  
*Assistant Examiner* — Richard Kearney  
(74) *Attorney, Agent, or Firm* — McGlew and Tuttle, P.C.

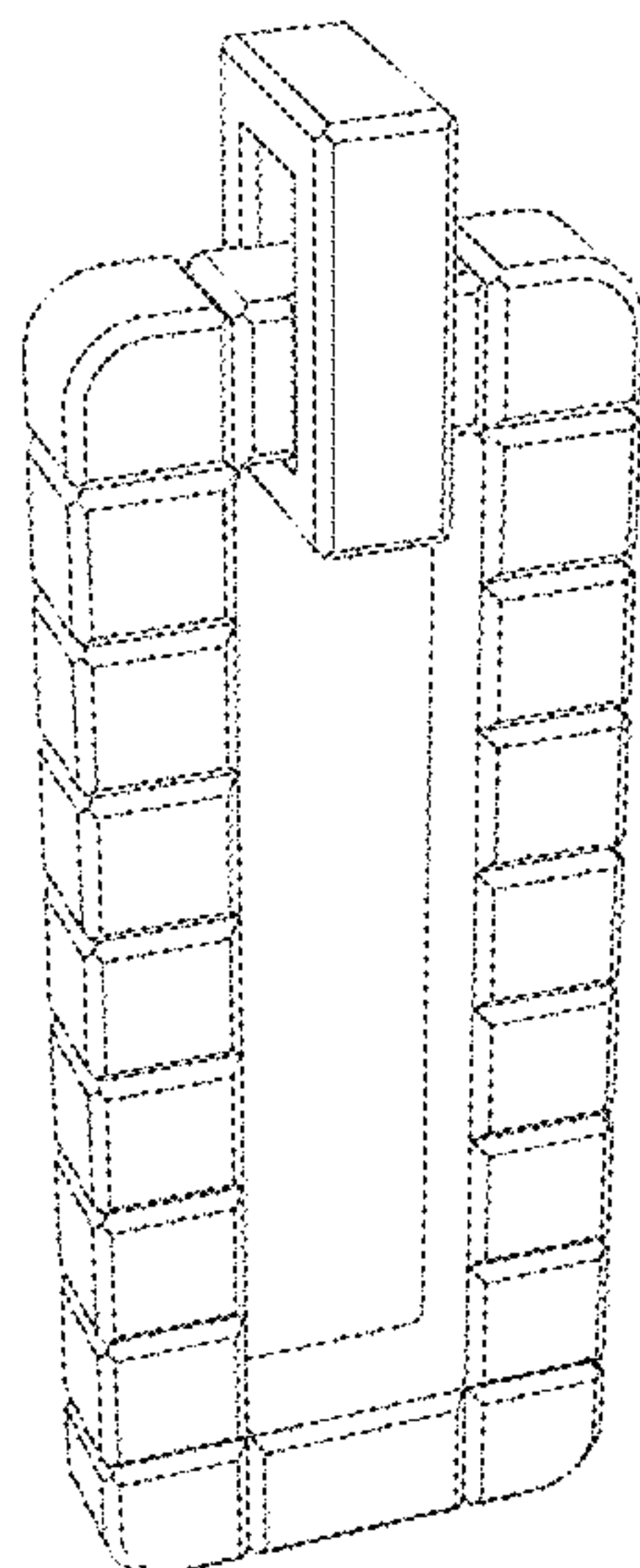
(57) **CLAIM**

The ornamental design for a jewellery item, as shown and  
described.

**DESCRIPTION**

FIG. 1 is a perspective view of the design;  
FIG. 2 is a view of the back of the design;  
FIG. 3 is a view of the bottom of the design;  
FIG. 4 is a view of the front of the design;  
FIG. 5 is a view of the left side of the design;  
FIG. 6 is a view of the right side of the design; and,  
FIG. 7 is a view of the top of the design.

**1 Claim, 7 Drawing Sheets**



(56)

**References Cited**

U.S. PATENT DOCUMENTS

D833,326 S \* 11/2018 Pierce ..... D11/121  
D837,676 S \* 1/2019 Gruosi-Scheufele ..... D11/4

OTHER PUBLICATIONS

Roberto\_Coin\_Classica\_Parisienne\_Rectangle\_Link\_Necklace\_with\_Diamonds (available online) Retrieved from the internet Aug. 6, 2019 from URL: <https://wilsonandsonjewelers.com/roberto-coin-classica-parisienne-rectangle-link-necklace-with-diamonds.html>.\*

Dana-kellin-fine-jewelry--Sideways-Rectangular-Link-Necklace (available online) Retrieved from the internet Aug. 6, 2019 from URL: <https://cdna.lystit.com/photos/stanleykorshak/e78a345a/dana-kellin-finejewelry--Sideways-Rectangular-Link-Necklace.jpeg>.\*

\* cited by examiner

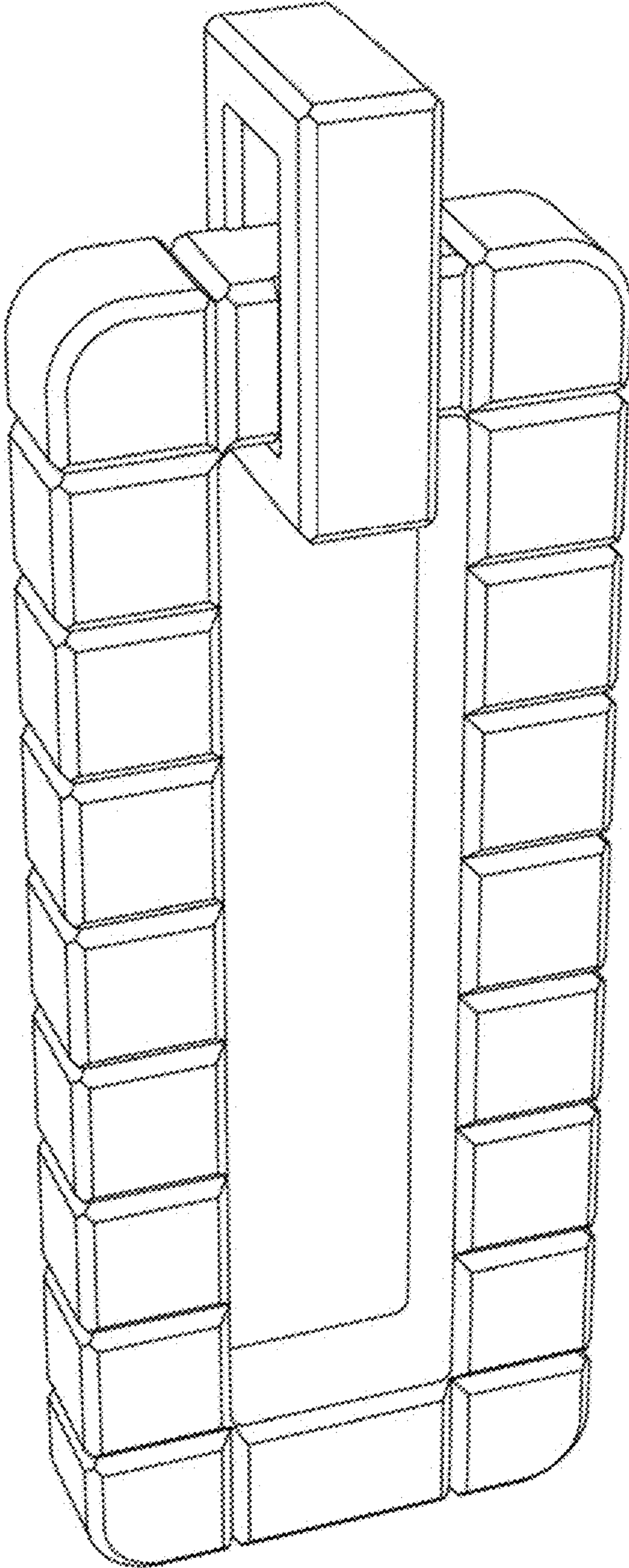


Fig. 1

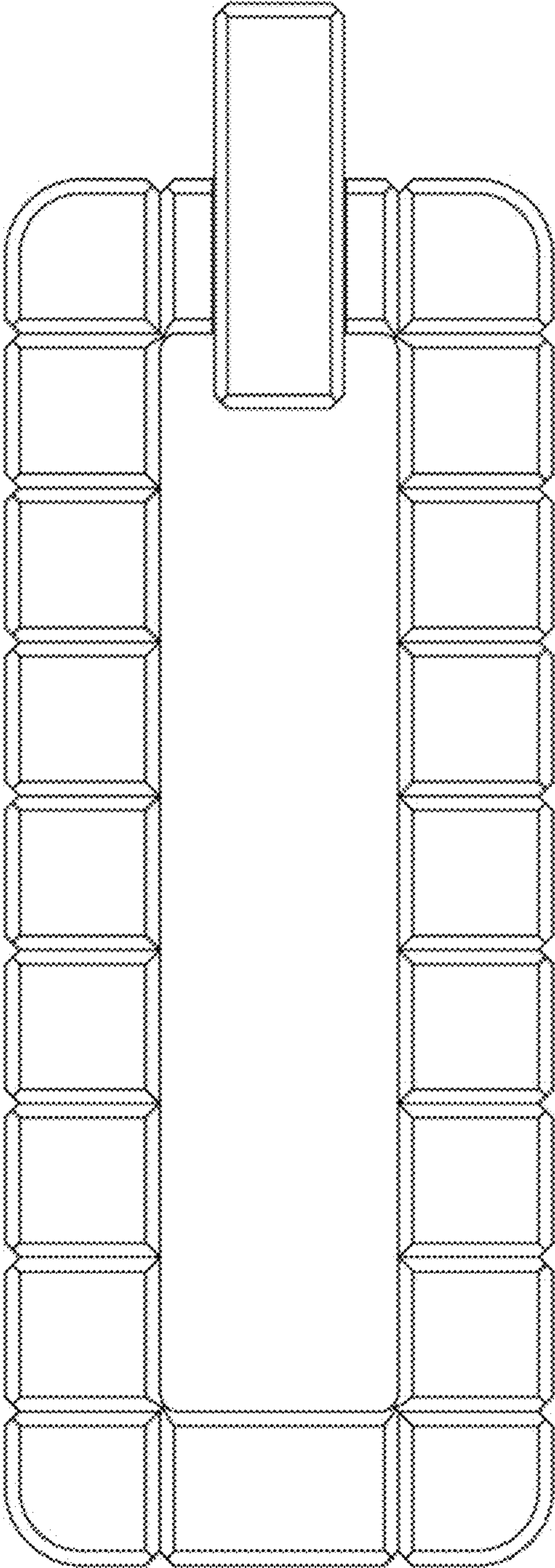


Fig. 2

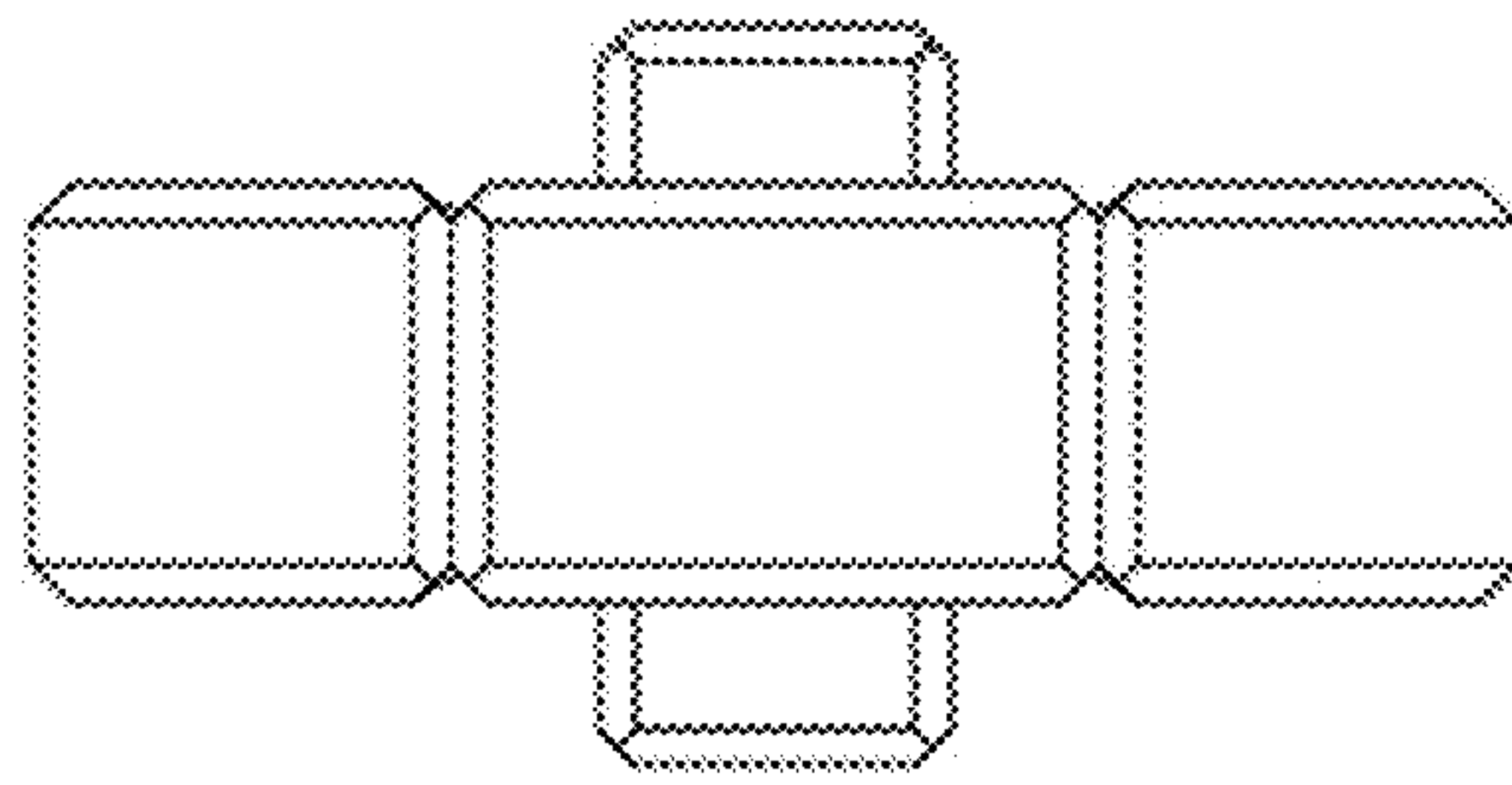


Fig. 3



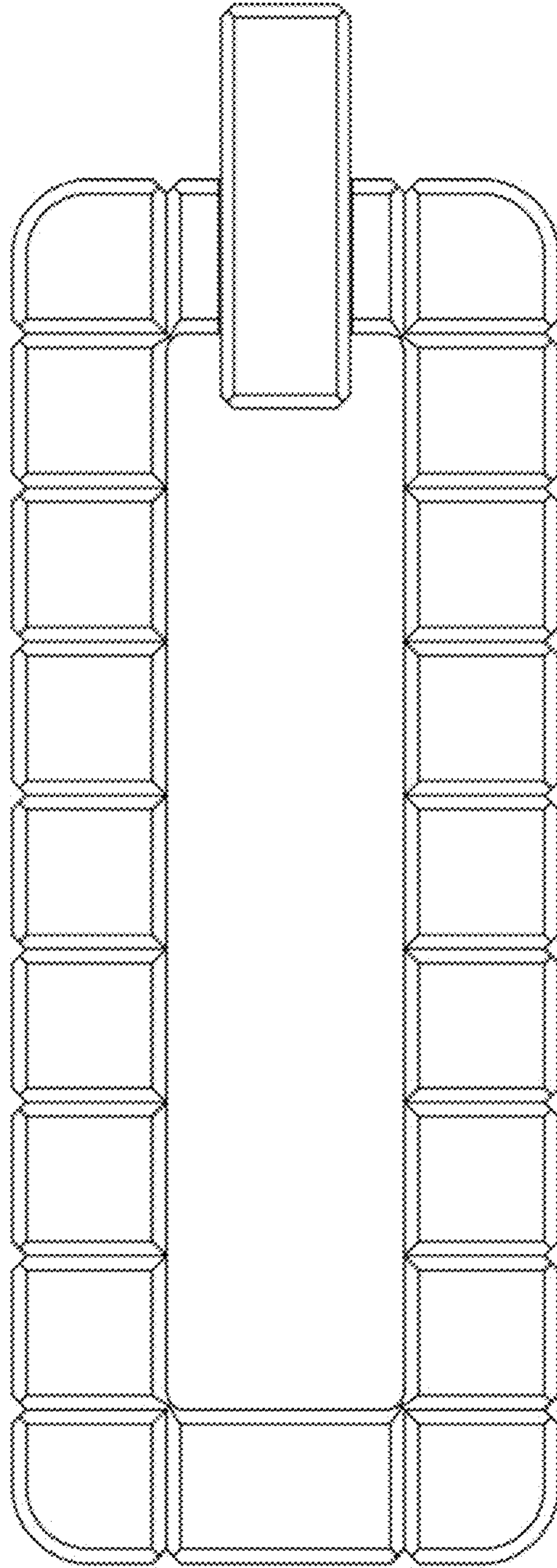


Fig. 4

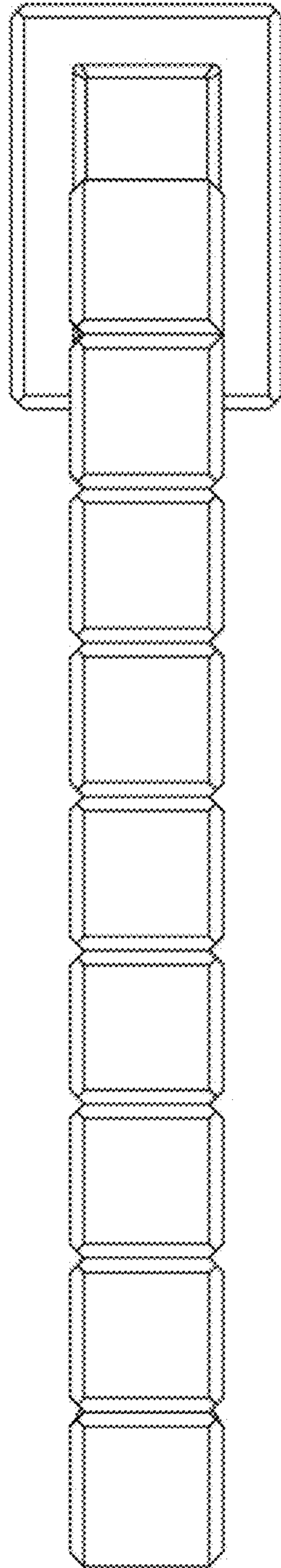


Fig. 5

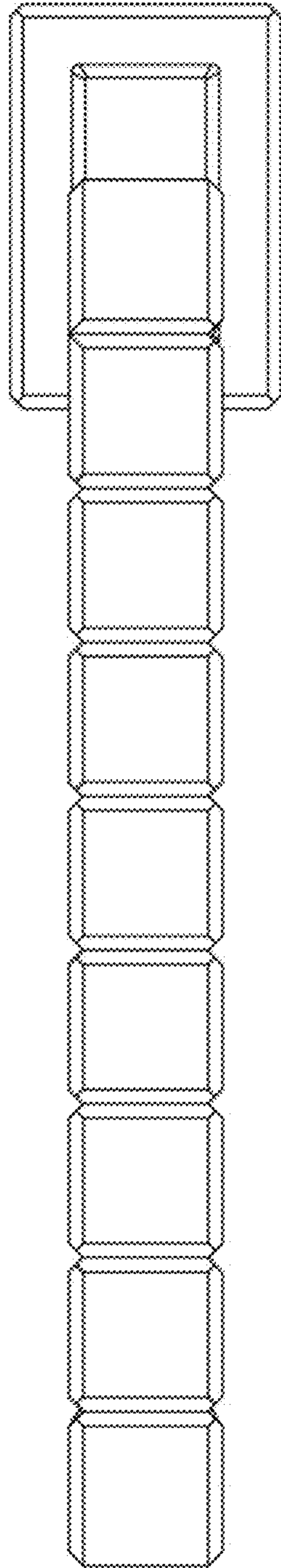


Fig. 6



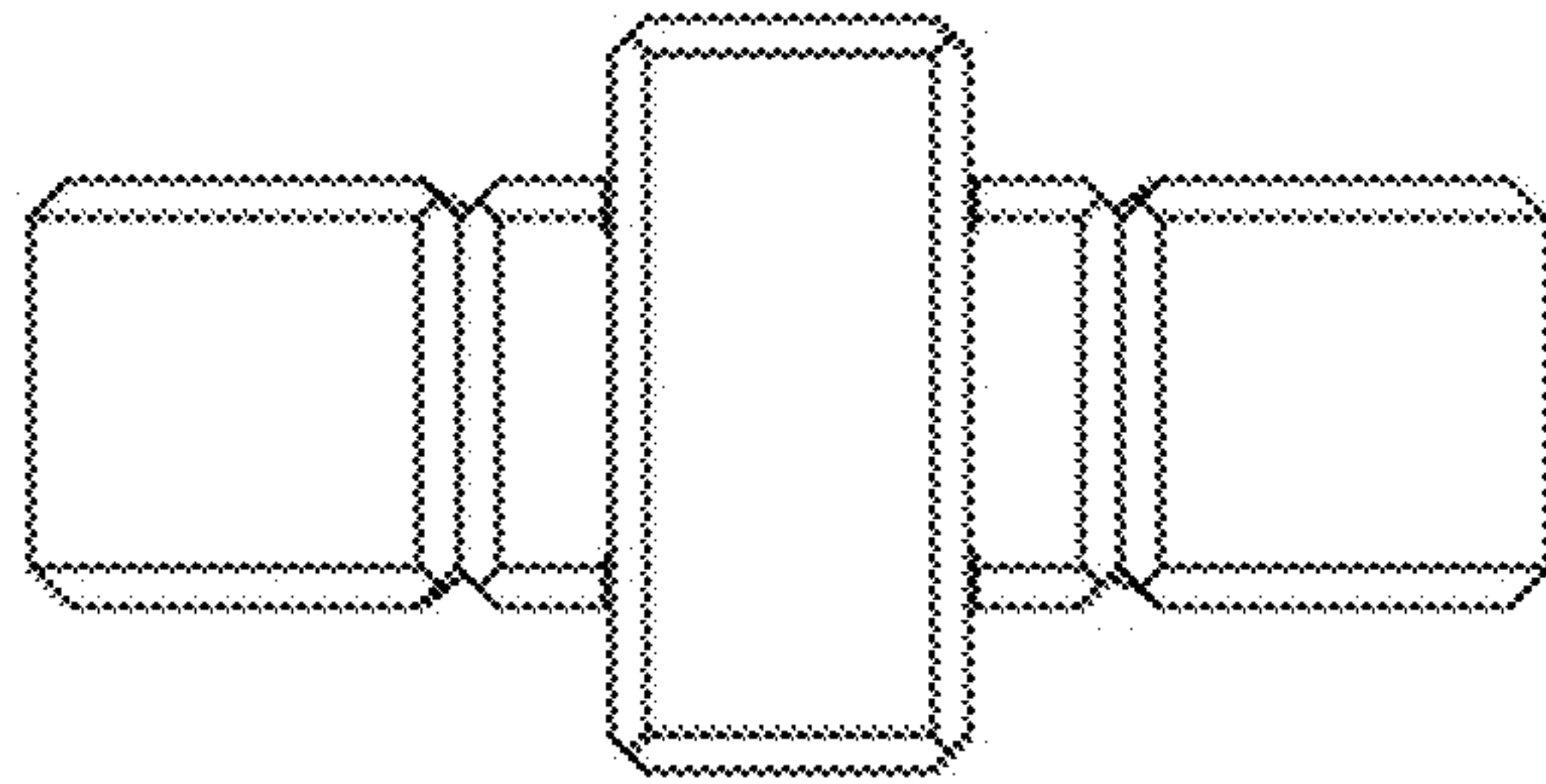


Fig. 7