

US00D869975S

(12) **United States Design Patent** (10) **Patent No.:** **US D869,975 S**
Hikima et al. (45) **Date of Patent:** **** *Dec. 17, 2019**

(54) **CONTROL PANEL FOR ELEVATOR**

(56) **References Cited**

(71) Applicant: **Mitsubishi Electric Corporation,**
Tokyo (JP)

U.S. PATENT DOCUMENTS

(72) Inventors: **Takanori Hikima,** Tokyo (JP); **Naoki Furuhashi,** Tokyo (JP); **Kohei Kurose,** Tokyo (JP)

D246,034 S *	10/1977	Sparks	D10/106.1
D589,832 S *	4/2009	Ogura	D10/108
D589,833 S *	4/2009	Kim	D10/108
D596,977 S *	7/2009	Ogura	D10/108
D630,169 S *	1/2011	Nakai	D13/168
D640,992 S *	7/2011	Margolin	D13/162
D666,727 S *	9/2012	Held	D24/186
D667,745 S *	9/2012	Wu	D10/108
D672,779 S *	12/2012	Bousfield	D14/385
D674,901 S *	1/2013	Held	D24/186
D698,274 S *	1/2014	Saikawa	D10/108
D699,613 S *	2/2014	Ke	D10/106.95
D702,578 S *	4/2014	Joyce	D10/108

(73) Assignee: **Mitsubishi Electric Corporation,**
Tokyo (JP)

(*) Notice: This patent is subject to a terminal disclaimer.

(**) Term: **15 Years**

(Continued)

(21) Appl. No.: **29/619,884**

OTHER PUBLICATIONS

(22) Filed: **Oct. 3, 2017**

Available Mar. 17, 2015, [online], [site visited Mar. 7, 2019].
Available from Internet, (Year: 2015).*

(30) **Foreign Application Priority Data**

(Continued)

May 30, 2017 (JP) 2017-011555

(51) **LOC (12) Cl.** **10-05**

Primary Examiner — Cathron C Brooks

(52) **U.S. Cl.**
USPC **D10/108**

Assistant Examiner — Katrina N Gonzalez

(58) **Field of Classification Search**

USPC D10/46, 46.1, 49, 50, 51, 52, 53, 55, 57,
D10/104, 106, 160.1, 106.6, 106.95, 108,
D10/109.1, 109.2, 113.4, 114.1, 114.2,
D10/118, 118.1, 118.2, 121, 123, 125;
D6/310, 466; D13/162, 162.1, 163, 168;
D14/138 G, 146, 149, 150, 198, 218, 245,
D14/247, 302, 303, 304, 305, 306, 307,
D14/371, 383, 388, 389, 390, 485, 486,
D14/900, 902; D18/6, 7; D20/10, 43;
D21/332, 325, 369, 370; D99/28;
187/380, 389, 390, 391, 396, 397, 395;
194/206; 361/679.01, 679.02, 679.04,
361/679.21, 679.57, 725

(74) *Attorney, Agent, or Firm* — Studebaker & Brackett
PC

CPC B66B 1/00; B66B 3/00
See application file for complete search history.

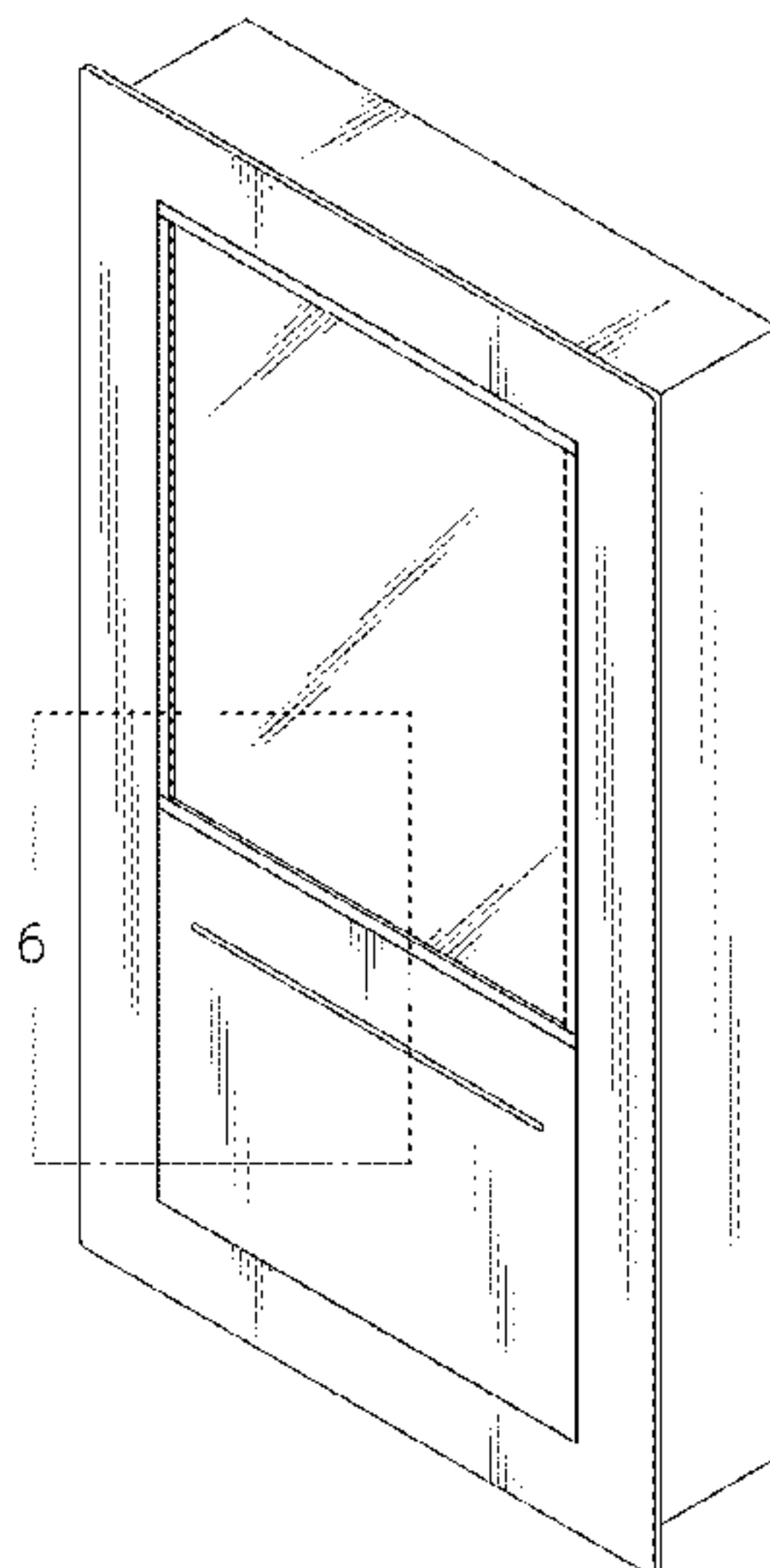
(57) **CLAIM**

The ornamental design for a control panel for elevator, as shown and described.

DESCRIPTION

FIG. 1 is a front, top and right side perspective view of a control panel for elevator showing our new design;
FIG. 2 is a front view thereof;
FIG. 3 is a rear view thereof;
FIG. 4 is a top view thereof;
FIG. 5 is a right side view thereof; and,
FIG. 6 is an enlarged partial perspective view of FIG. 1.

1 Claim, 5 Drawing Sheets



(56)

References Cited

U.S. PATENT DOCUMENTS

D702,579 S	*	4/2014	Lee	D10/108
D705,689 S	*	5/2014	Saikawa	D10/108
D742,335 S	*	11/2015	Yamaguchi	D10/49
D748,515 S	*	2/2016	Matsuyama	D10/108
D754,013 S	*	4/2016	Choi	D10/108
D774,937 S	*	12/2016	Mikogami	D10/108
D781,736 S	*	3/2017	Friedli	D10/108
D807,763 S	*	1/2018	Jacoby	D10/50
D820,224 S	*	6/2018	Mori	D13/168
D820,793 S	*	6/2018	Arai	D13/168
D821,984 S	*	7/2018	Mori	D13/168
D832,118 S	*	10/2018	Higashijima	D10/50
D838,618 S	*	1/2019	Nagaki	D10/104.1

OTHER PUBLICATIONS

Available Nov. 1, 2018, [online], [site visited Mar. 7, 2019].

Available from Internet, (Year: 2018).*

Available Mar. 1, 2016, [online], [site visited Mar. 7, 2019].

Available from Internet, (Year: 2016).*

Available Mar. 7, 2019, [online], [site visited Mar. 7, 2019].

Available from Internet, (Year: 2019).*

* cited by examiner

Fig. 1

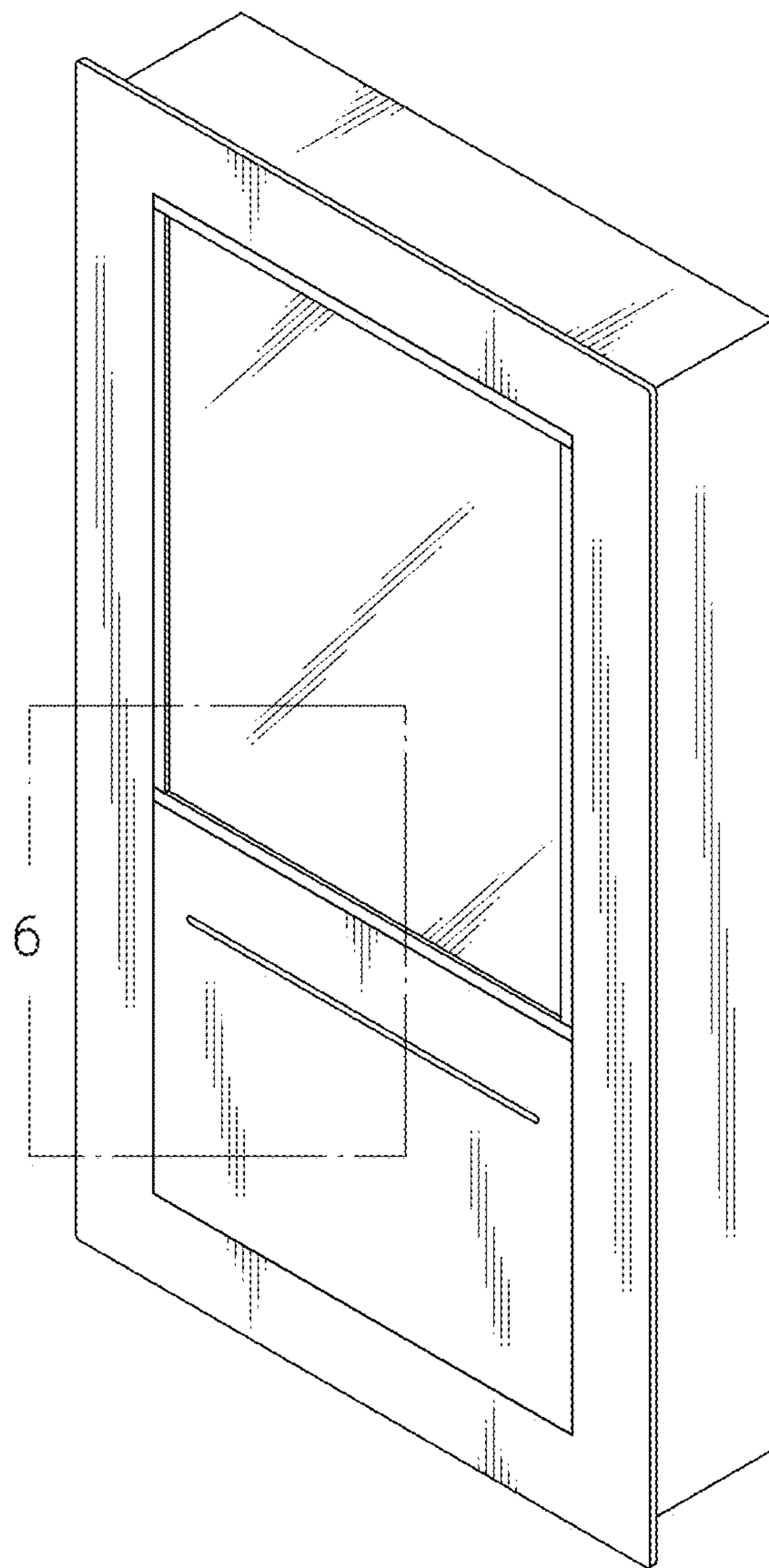


Fig. 2

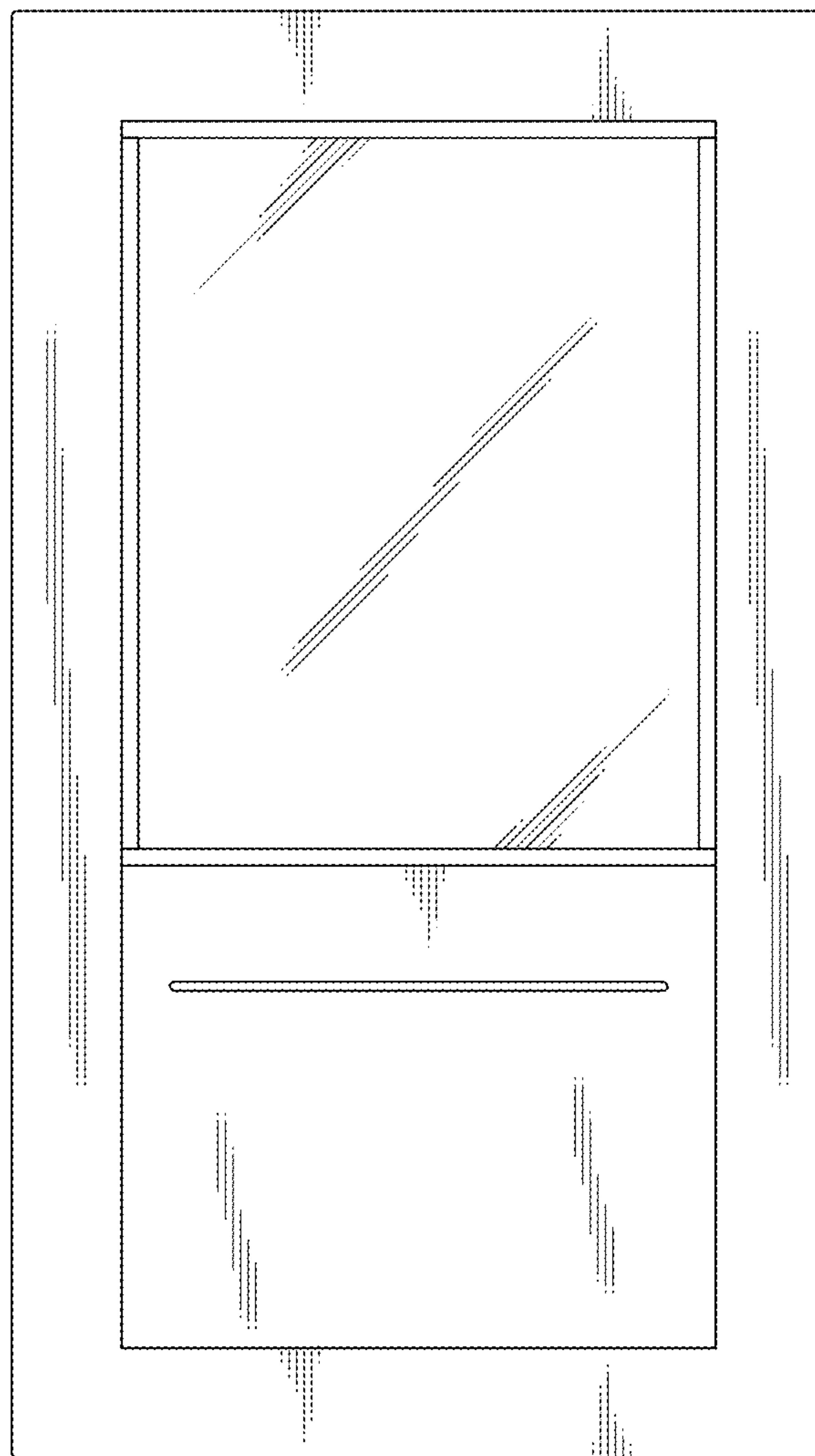


Fig. 3

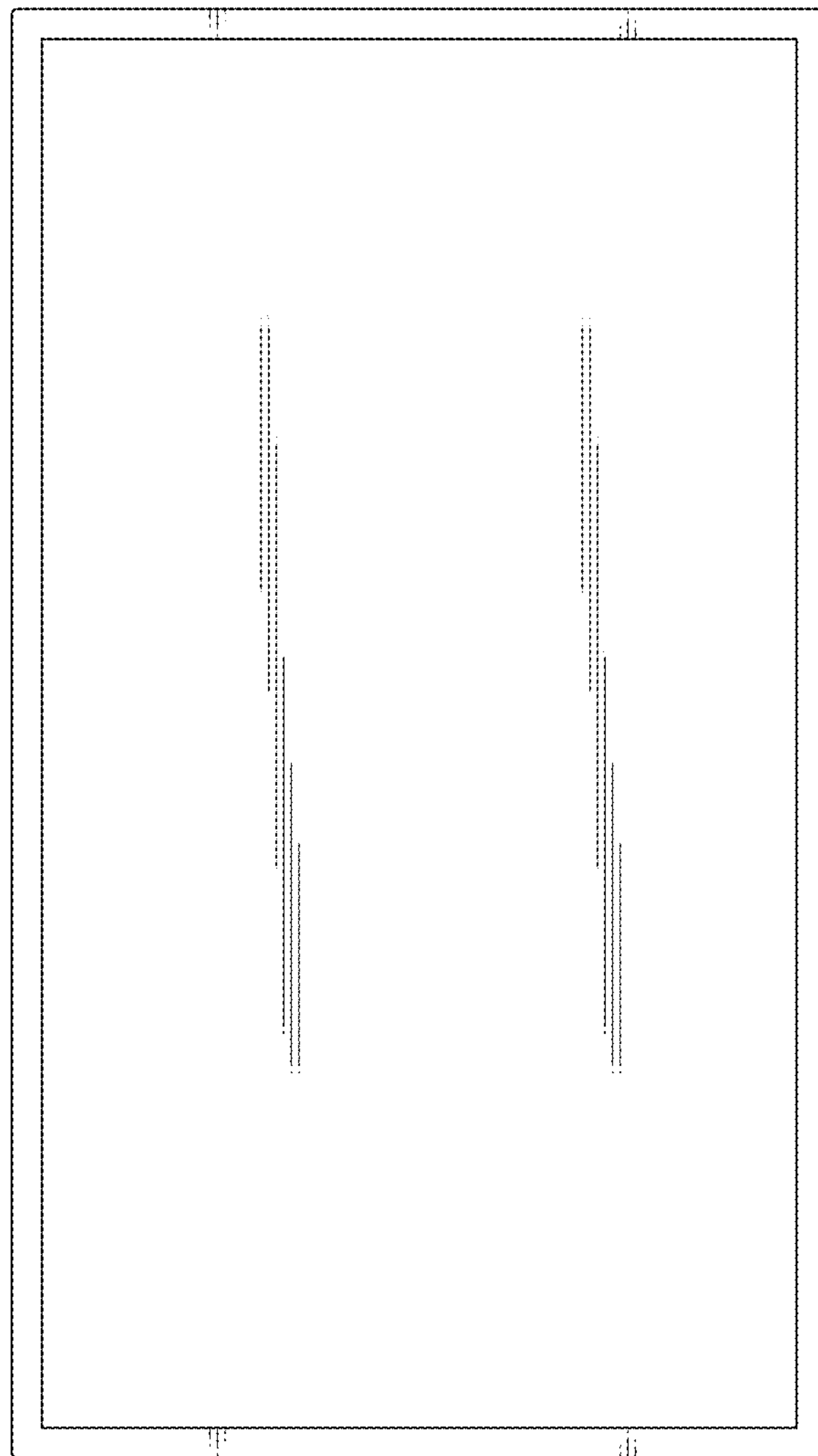


Fig. 4



Fig. 5

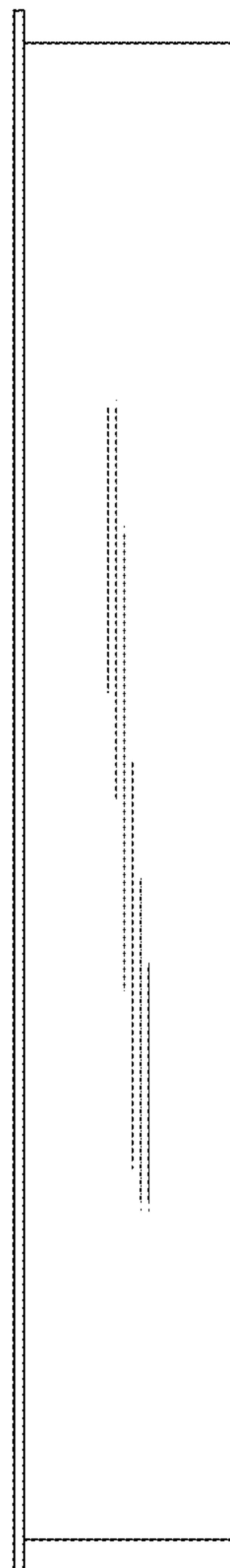


Fig. 6

