



US00D869973S

(12) **United States Design Patent** (10) **Patent No.:** **US D869,973 S**
Demuth et al. (45) **Date of Patent:** **** Dec. 17, 2019**

(54) **CASE COVER**

(71) Applicant: **WIKA Alexander Wiegand SE & CO. KG**, Klingenberg (DE)

(72) Inventors: **Ulrich Demuth**, Erbach (DE); **Christoph Hilbert**, Mudau-Steinbach (DE); **Ulrich Staab**, Biebergemuend (DE)

(73) Assignee: **WIKA Alexander Wiegand SE & Co. KG**, Klingenberg (DE)

(**) Term: **15 Years**

(21) Appl. No.: **29/659,099**

(22) Filed: **Aug. 6, 2018**

(30) **Foreign Application Priority Data**

Feb. 6, 2018 (DE) 40 2018 000 136

(51) **LOC (12) Cl.** **10-04**

(52) **U.S. Cl.**
USPC **D10/96; D10/103**

(58) **Field of Classification Search**
USPC D10/96, 103
CPC G01L 19/0627; G01L 19/0654; G01L 19/0663; G01L 19/0672; G01L 19/0681; G01L 19/14; G01L 19/141; G01L 19/142; G01L 19/143; G01L 19/144; G01L 19/147

See application file for complete search history.

(56) **References Cited**

U.S. PATENT DOCUMENTS

D611,376 S *	3/2010	Holz	D10/101
D654,819 S *	2/2012	Yao	D10/96
D711,267 S *	8/2014	Tsuda	D10/96
D712,765 S *	9/2014	Kulkarni	D10/96
D809,950 S *	2/2018	Tabata	D10/96

OTHER PUBLICATIONS

U.S. Appl. No. 29/659,097, filed Aug. 6, 2018.

* cited by examiner

Primary Examiner — Antoine Duval Davis

(74) *Attorney, Agent, or Firm* — Muncy, Geissler, Olds & Lowe, P.C.

(57) **CLAIM**

The ornamental design for a case cover, as shown and described.

DESCRIPTION

FIG. 1 is a right perspective view of a case cover according to an embodiment of the present invention.

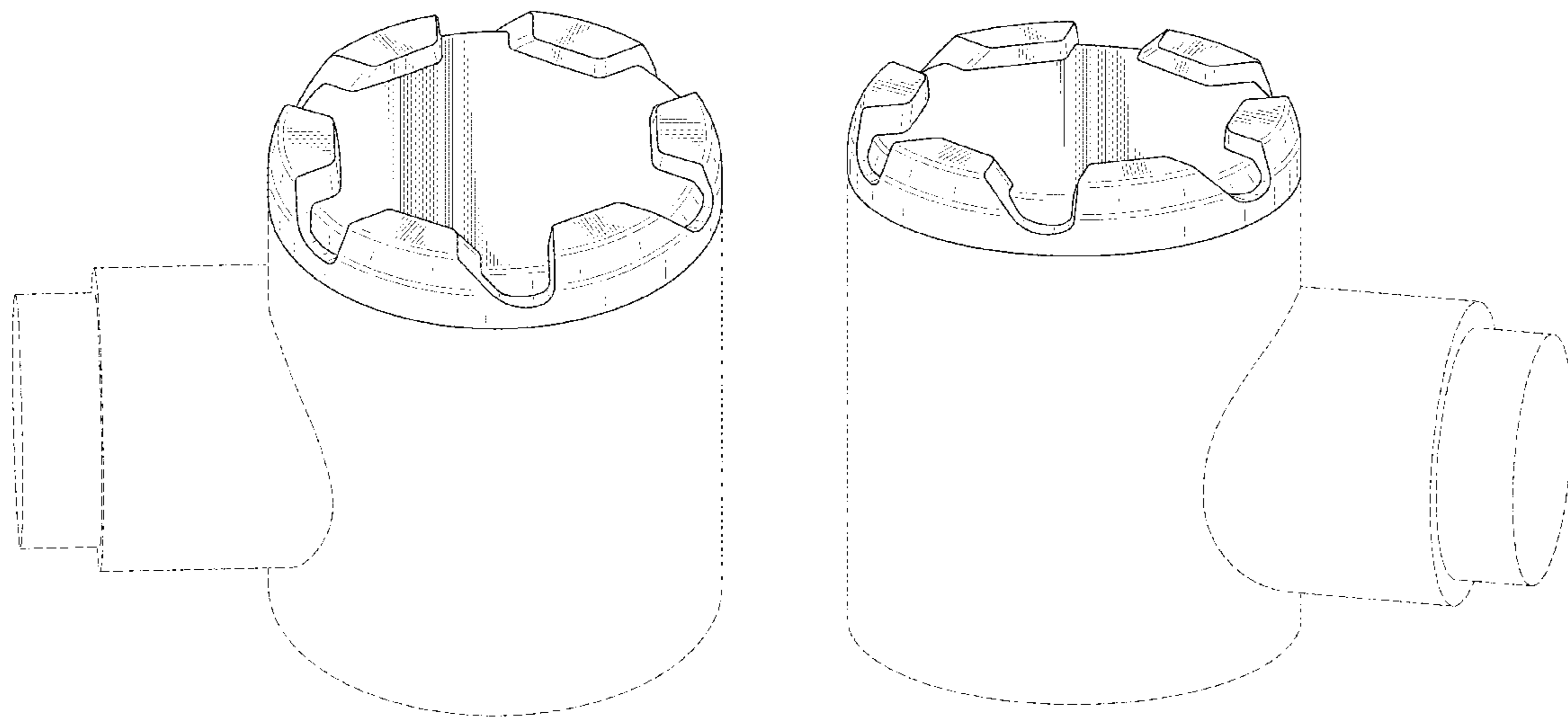
FIG. 2 is a left perspective view of the case cover of FIG. 1.

FIG. 3 is a front view of the case cover of FIG. 1; and,

FIG. 4 is a top view of the case cover of FIG. 1.

The dashed lines illustrate environment that does not form a part of the present invention, and no claim is made to the material illustrated with dashed lines.

1 Claim, 4 Drawing Sheets



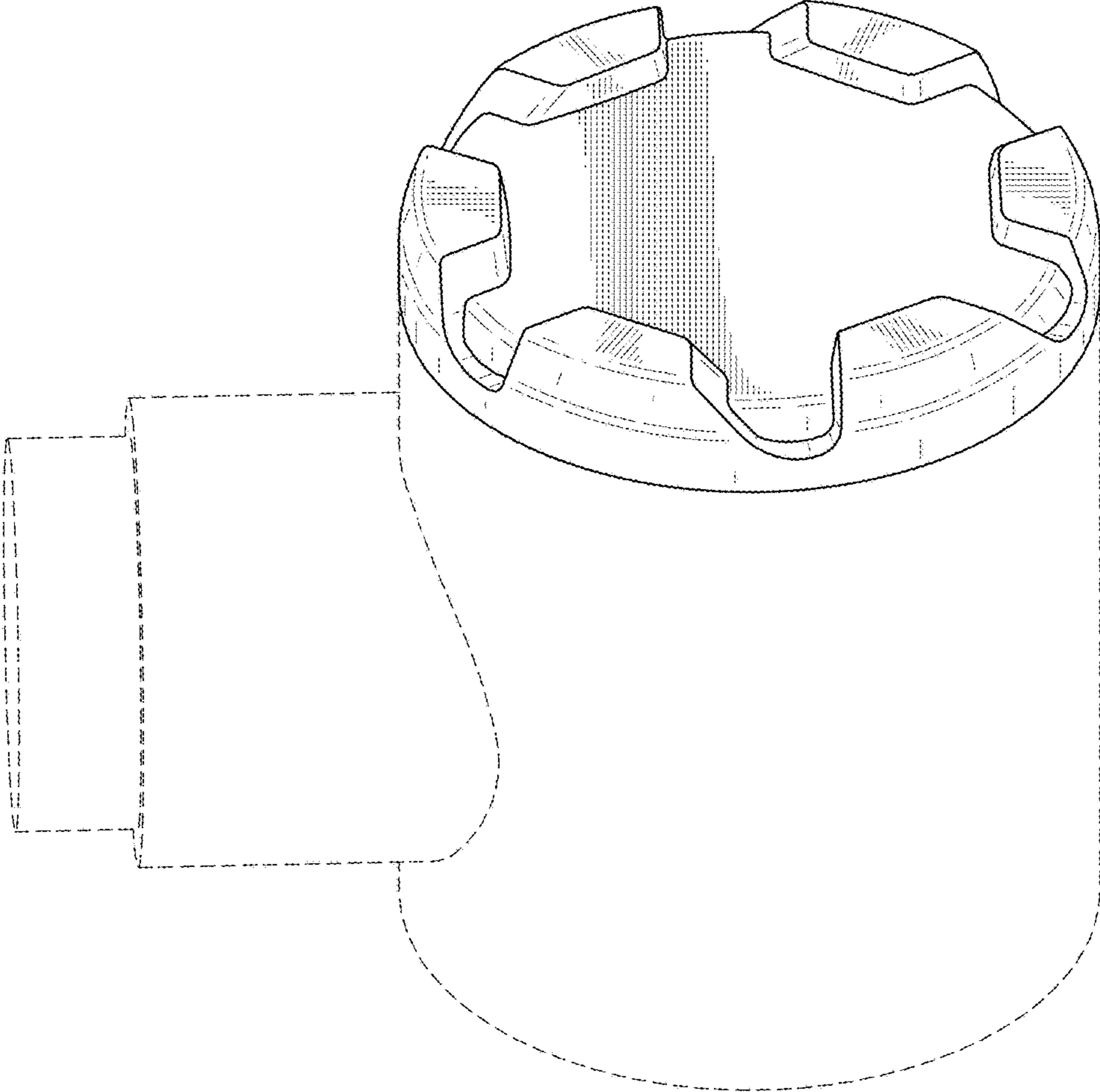


FIG. 1

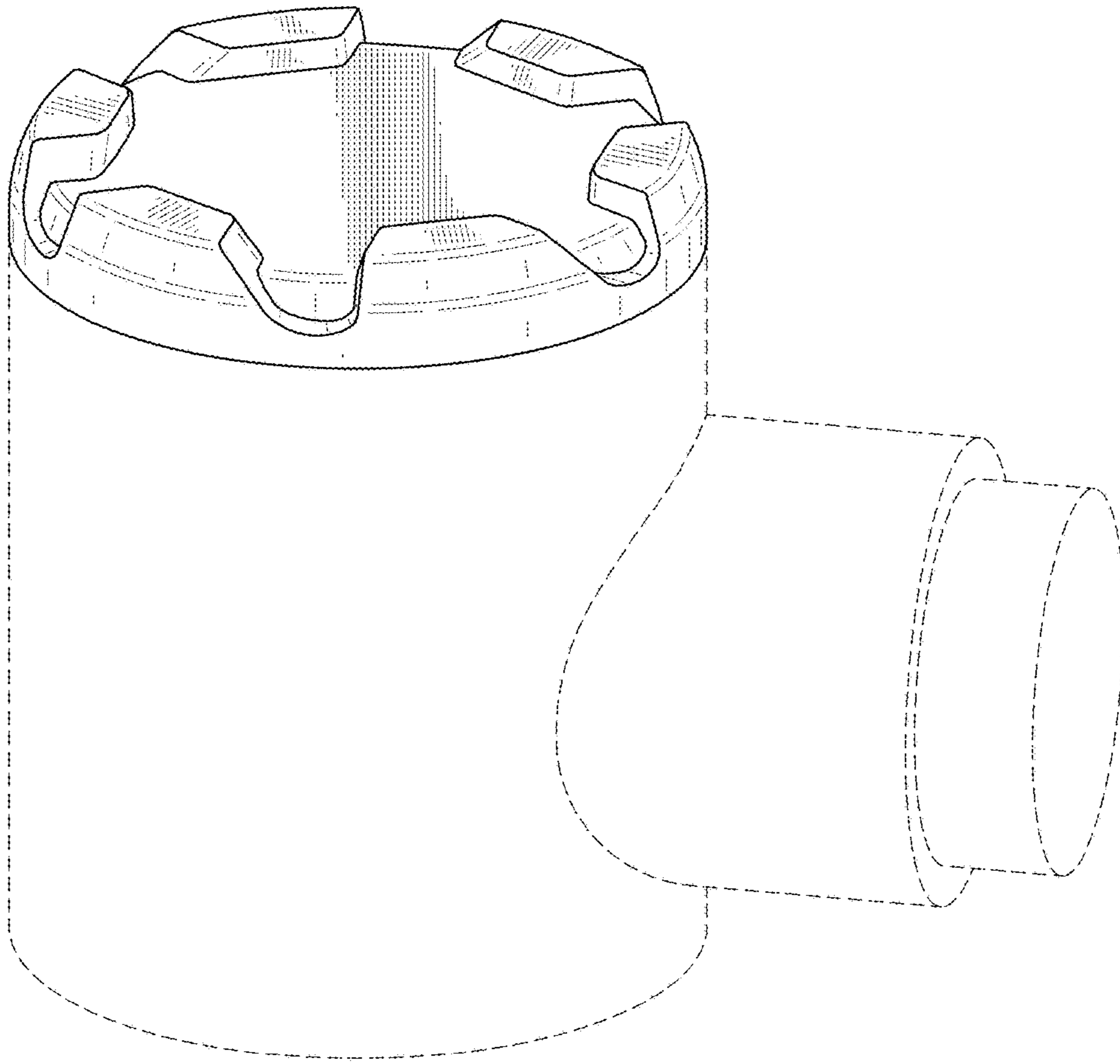


FIG. 2

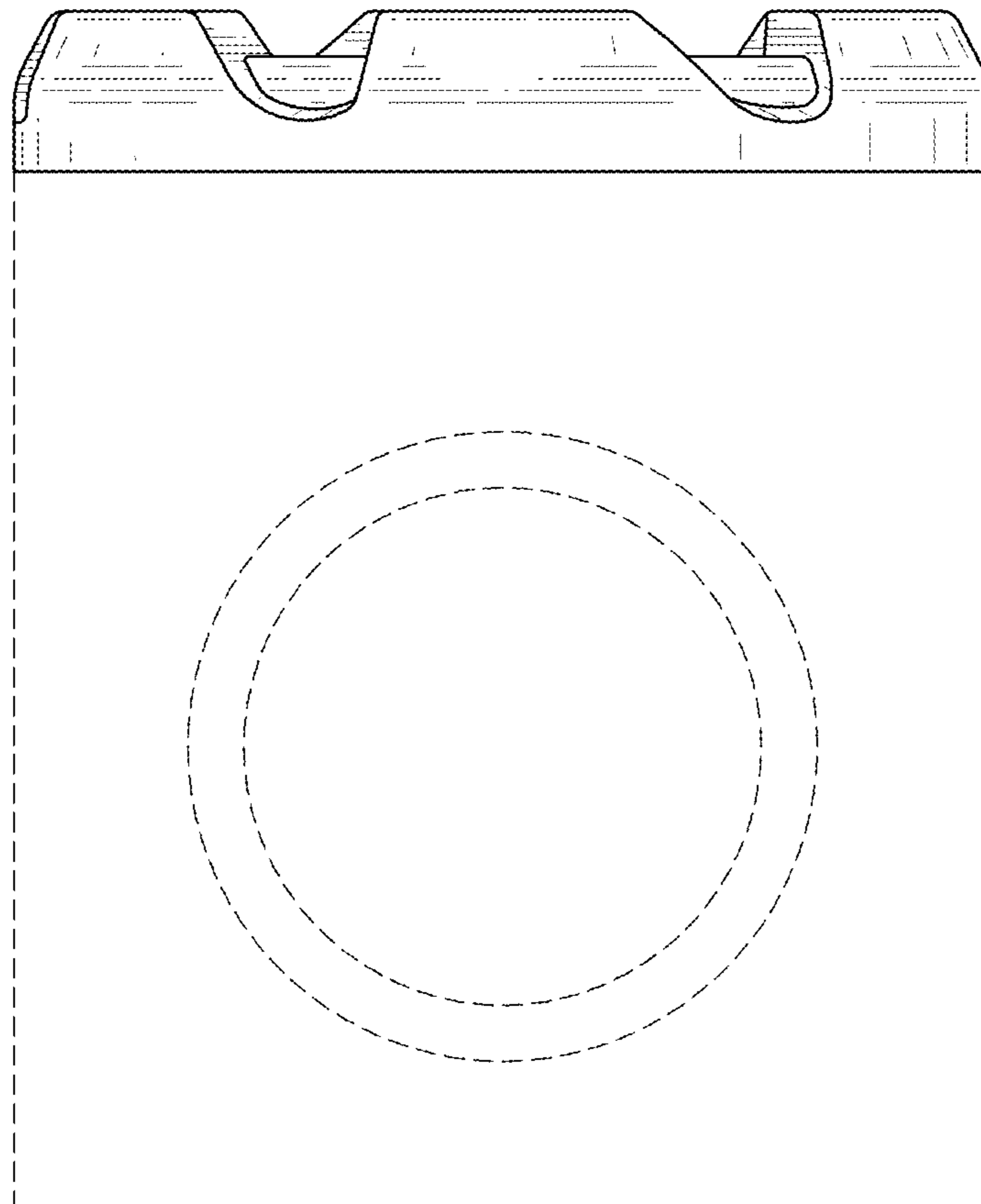


FIG. 3

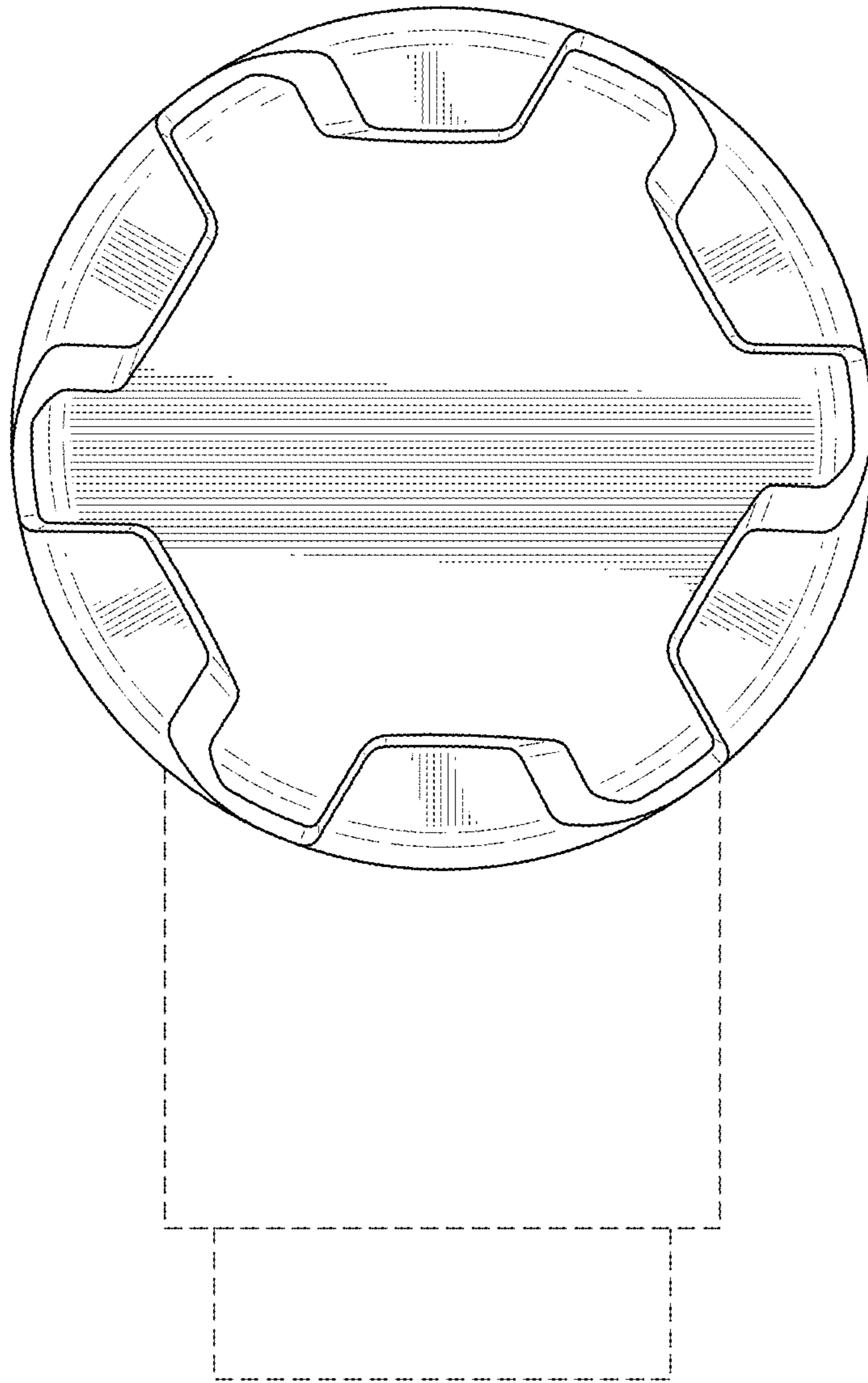


FIG. 4