

US00D869972S

(12) **United States Design Patent** (10) **Patent No.:** **US D869,972 S**  
**Demuth et al.** (45) **Date of Patent:** **\*\* Dec. 17, 2019**

(54) **CASE COVER**

(71) Applicant: **WIKA Alexander Wiegand SE & Co. KG, Klingenberg (DE)**

(72) Inventors: **Ulrich Demuth, Erbach (DE); Christoph Hilbert, Mudau-Steinbach (DE); Ulrich Staab, Biebergemuend (DE)**

(73) Assignee: **WIKA Alexander Wiegand SE & Co. KG, Klingenberg (DE)**

(\*\*) Term: **15 Years**

(21) Appl. No.: **29/659,097**

(22) Filed: **Aug. 6, 2018**

(30) **Foreign Application Priority Data**

Feb. 6, 2018 (DE) ..... 40 2018 000 136

(51) **LOC (12) Cl.** ..... **10-04**

(52) **U.S. Cl.**  
USPC ..... **D10/96; D10/103**

(58) **Field of Classification Search**  
USPC ..... D10/96, 103  
CPC ..... G01L 19/0627; G01L 19/0654; G01L 19/0663; G01L 19/0672; G01L 19/0681; G01L 19/14; G01L 19/141; G01L 19/142; G01L 19/143; G01L 19/144; G01L 19/147

See application file for complete search history.

(56) **References Cited**

U.S. PATENT DOCUMENTS

|              |        |          |       |         |
|--------------|--------|----------|-------|---------|
| D611,376 S * | 3/2010 | Holz     | ..... | D10/101 |
| D654,819 S * | 2/2012 | Yao      | ..... | D10/96  |
| D711,267 S * | 8/2014 | Tsuda    | ..... | D10/96  |
| D712,765 S * | 9/2014 | Kulkarni | ..... | D10/96  |
| D809,950 S * | 2/2018 | Tabata   | ..... | D10/96  |

OTHER PUBLICATIONS

U.S. Appl. No. 29/659,099, filed Aug. 6, 2018.

\* cited by examiner

*Primary Examiner* — Antoine Duval Davis

(74) *Attorney, Agent, or Firm* — Muncy, Geissler, Olds & Lowe, P.C.

(57) **CLAIM**

The ornamental design for a case cover, as shown and described.

**DESCRIPTION**

FIG. 1 is a right perspective view of a case cover according to an embodiment of the present invention.

FIG. 2 is a left perspective view of the case cover of FIG. 1.

FIG. 3 is a rear view of the case cover of FIG. 1.

FIG. 4 is a rear view of the case cover of FIG. 1.

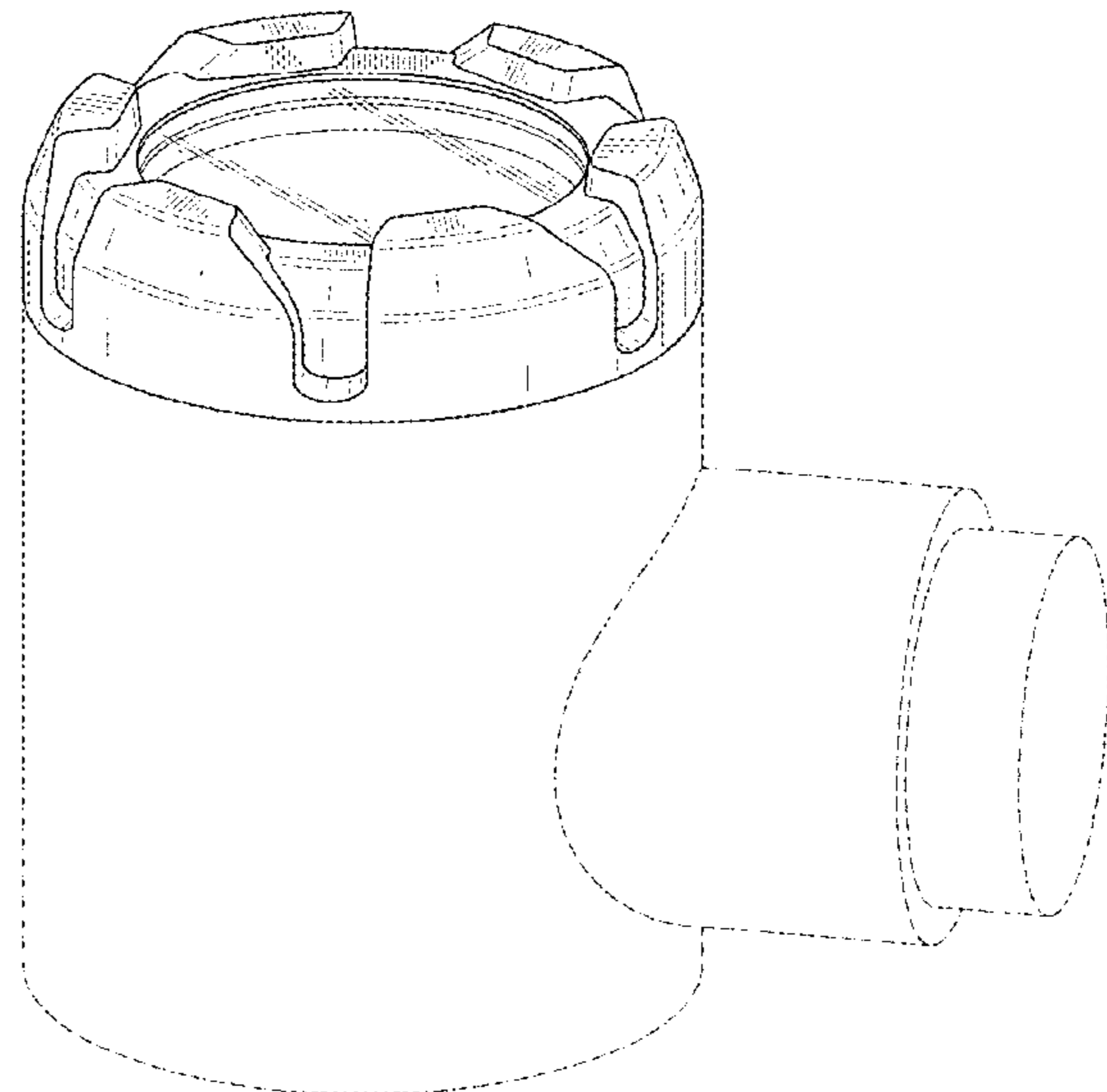
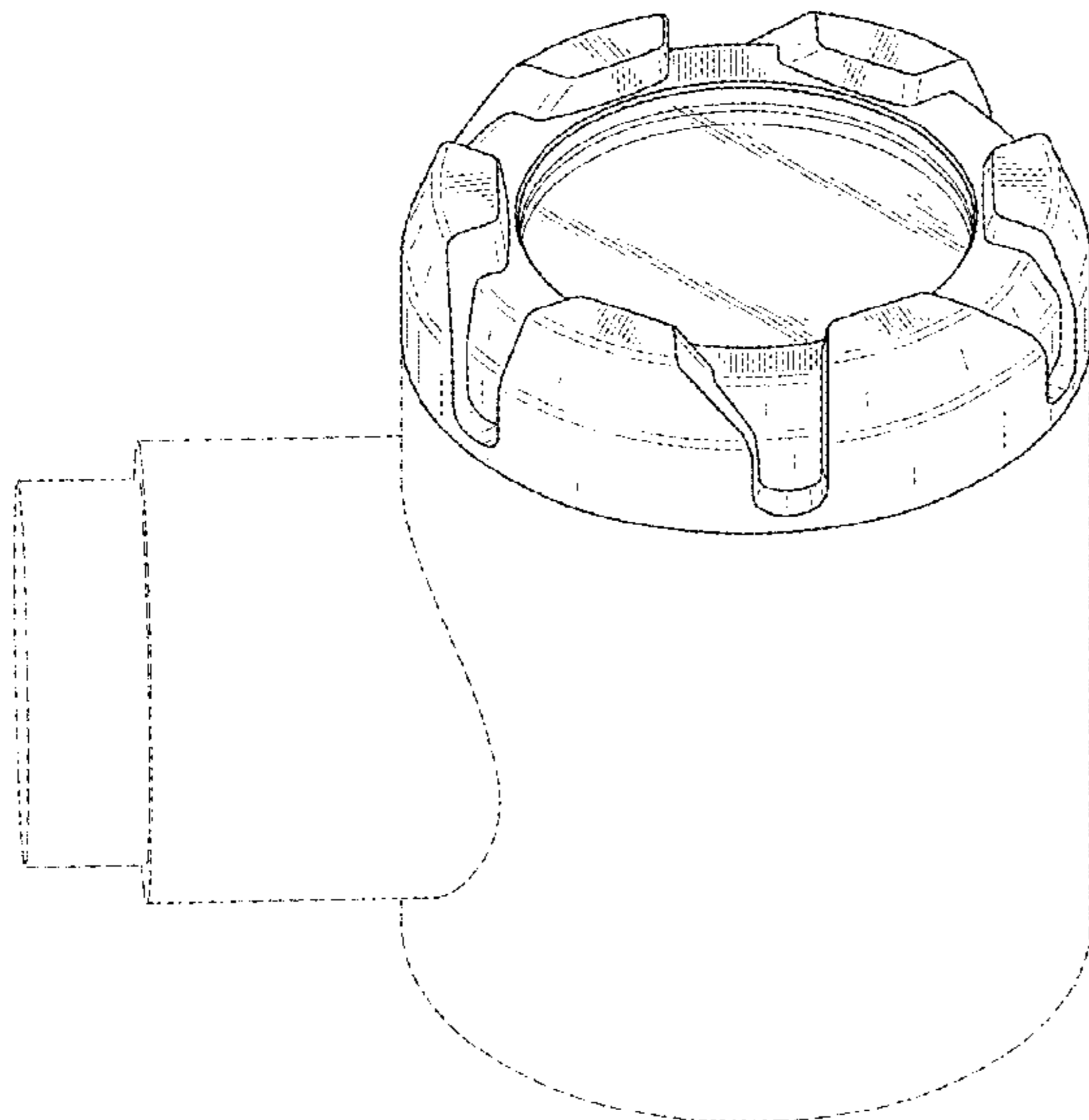
FIG. 5 is a left side view of the case cover of FIG. 1.

FIG. 6 is a right side view of the case cover of FIG. 1; and,

FIG. 7 is a top view of the case cover of FIG. 1.

The dashed lines illustrate environment that does not form a part of the present invention, and no claim is made to the material illustrated with dashed lines.

**1 Claim, 7 Drawing Sheets**



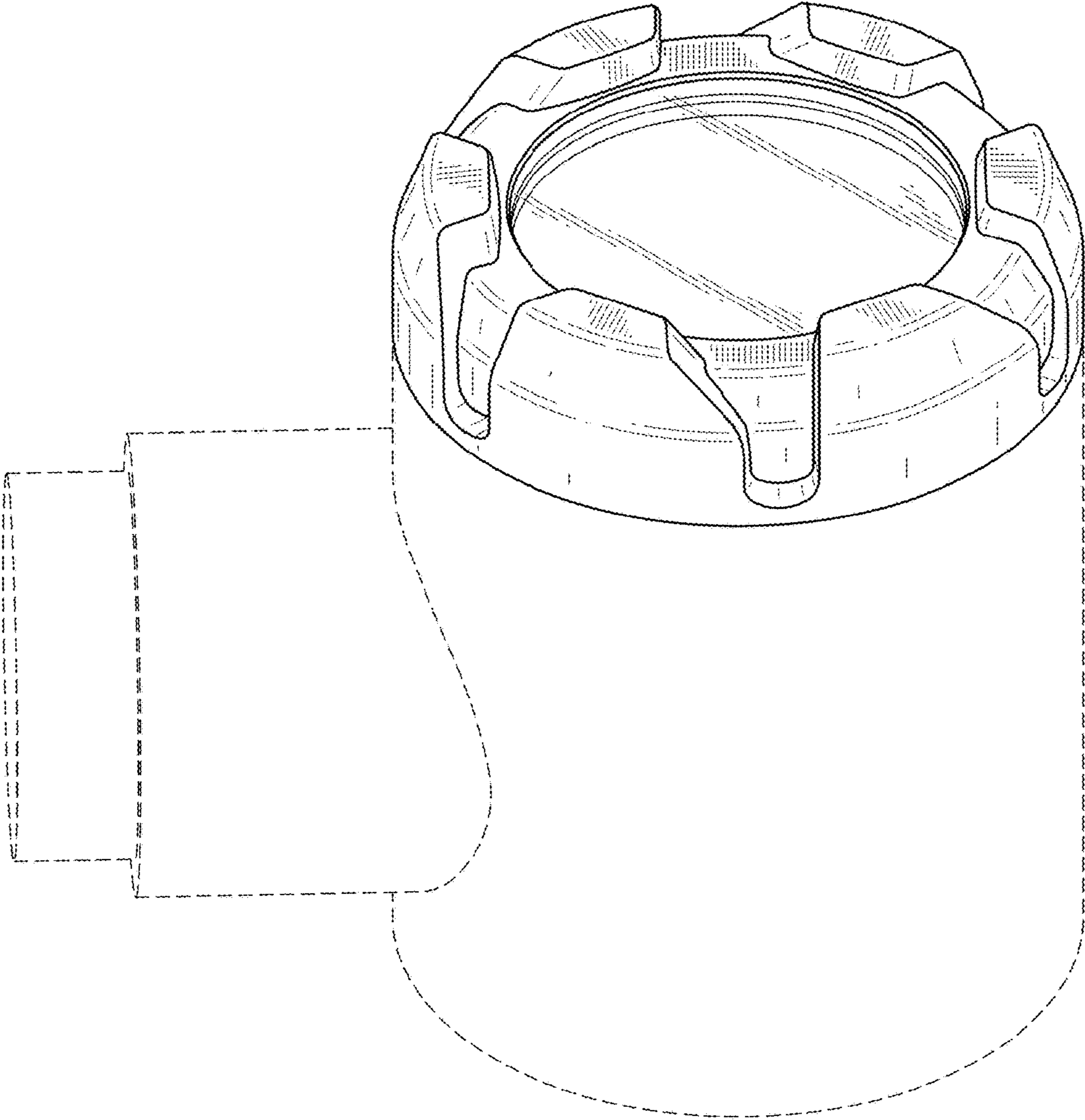


FIG.1

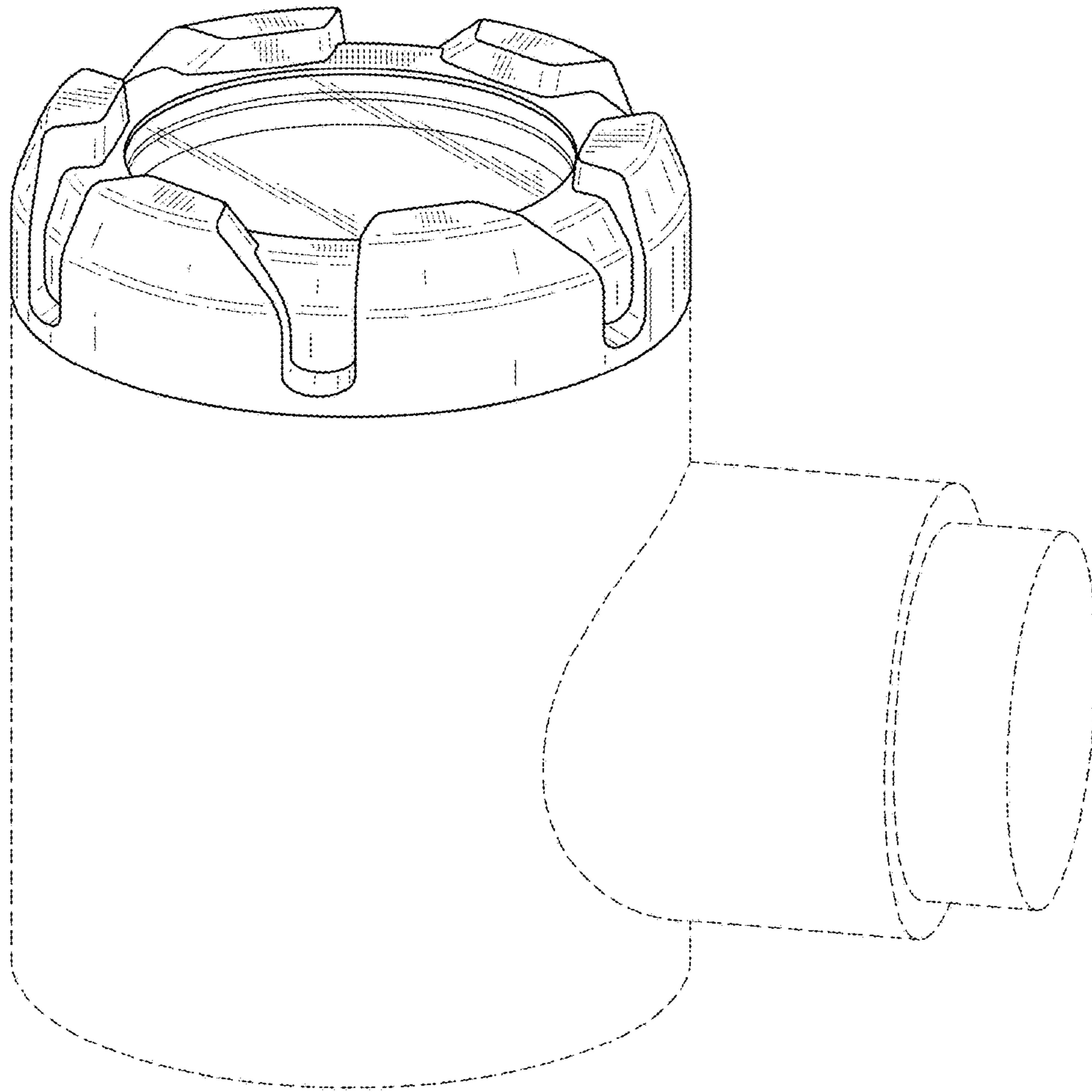


FIG.2

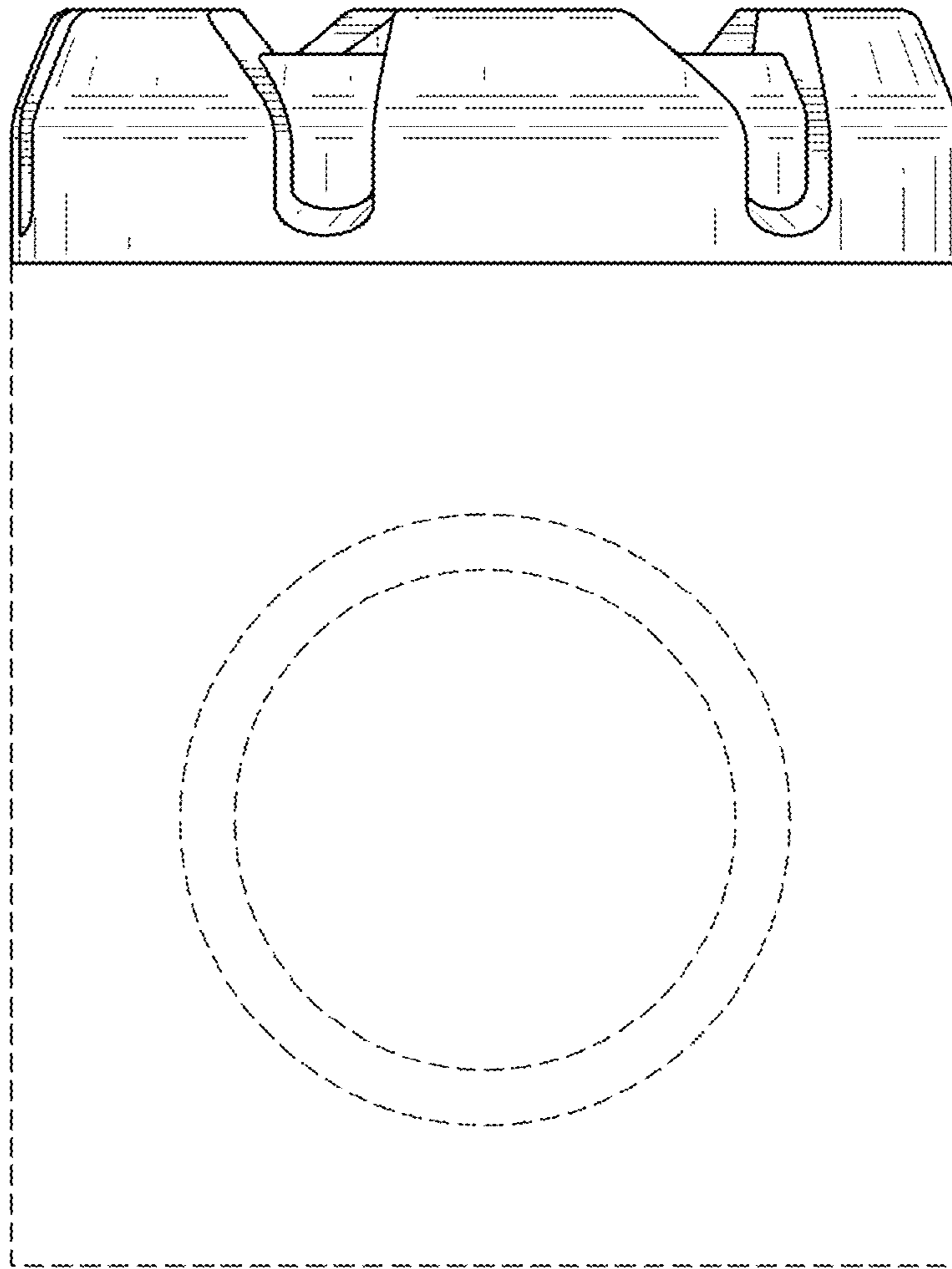


FIG.3

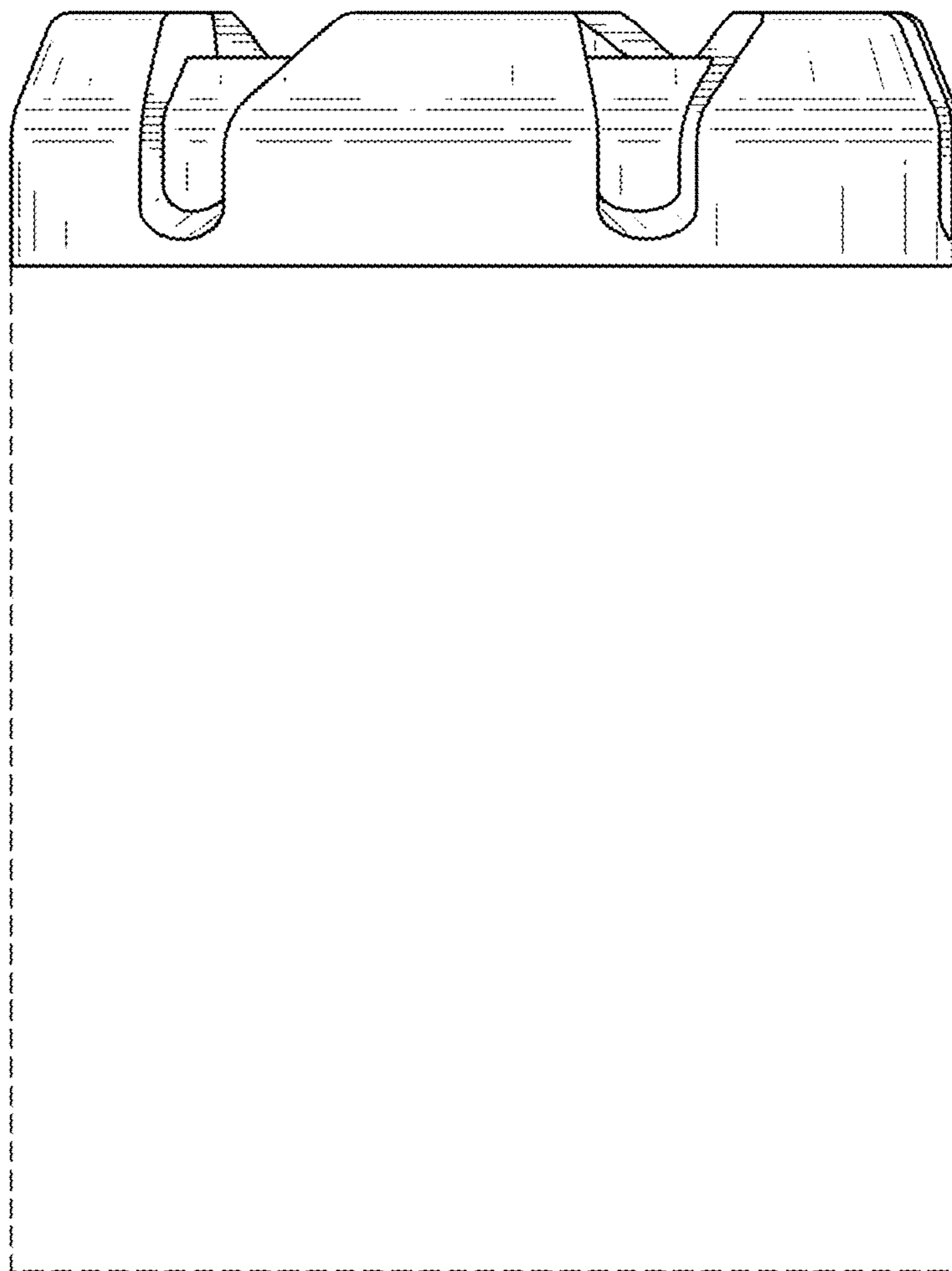


FIG.4

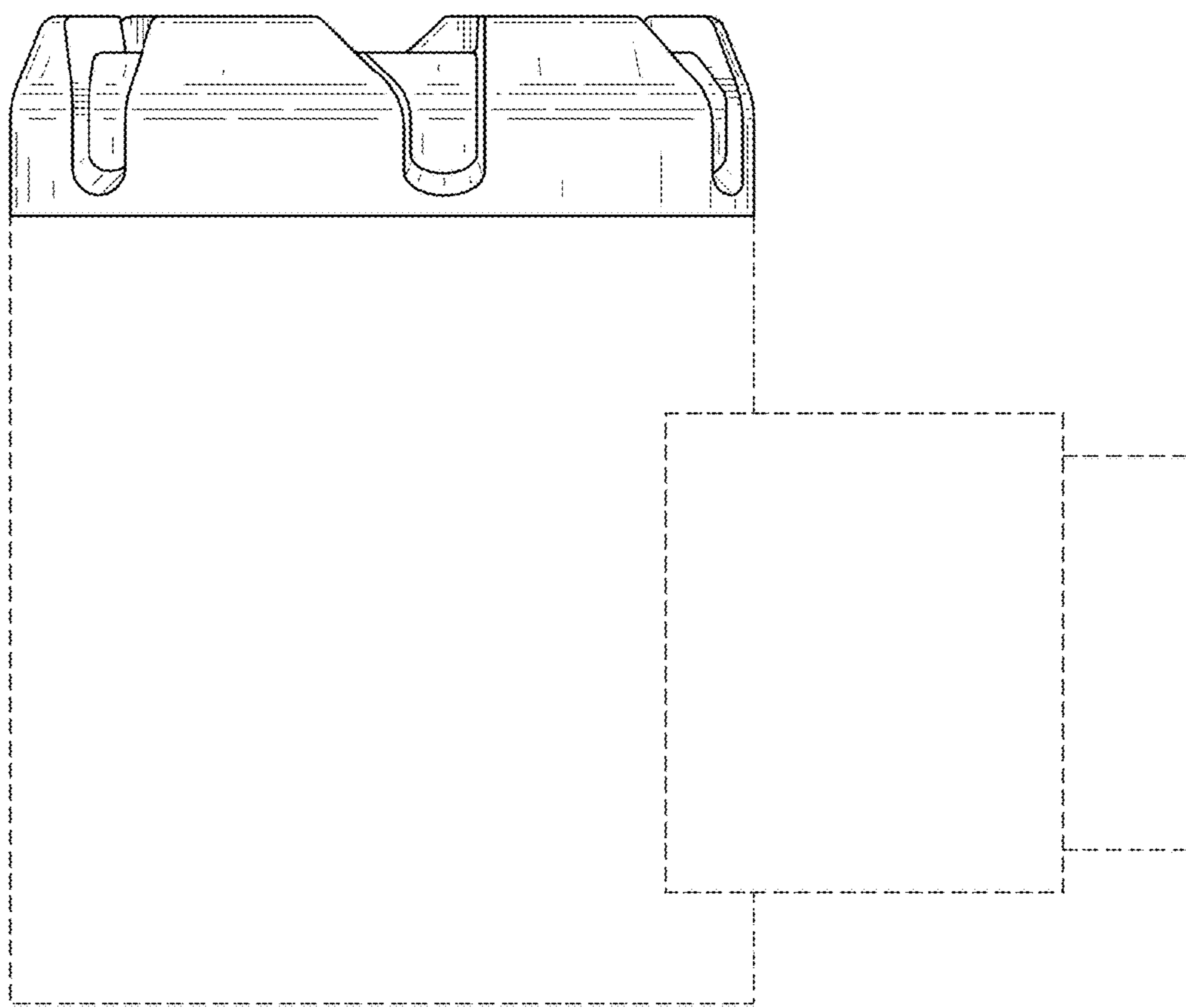


FIG.5

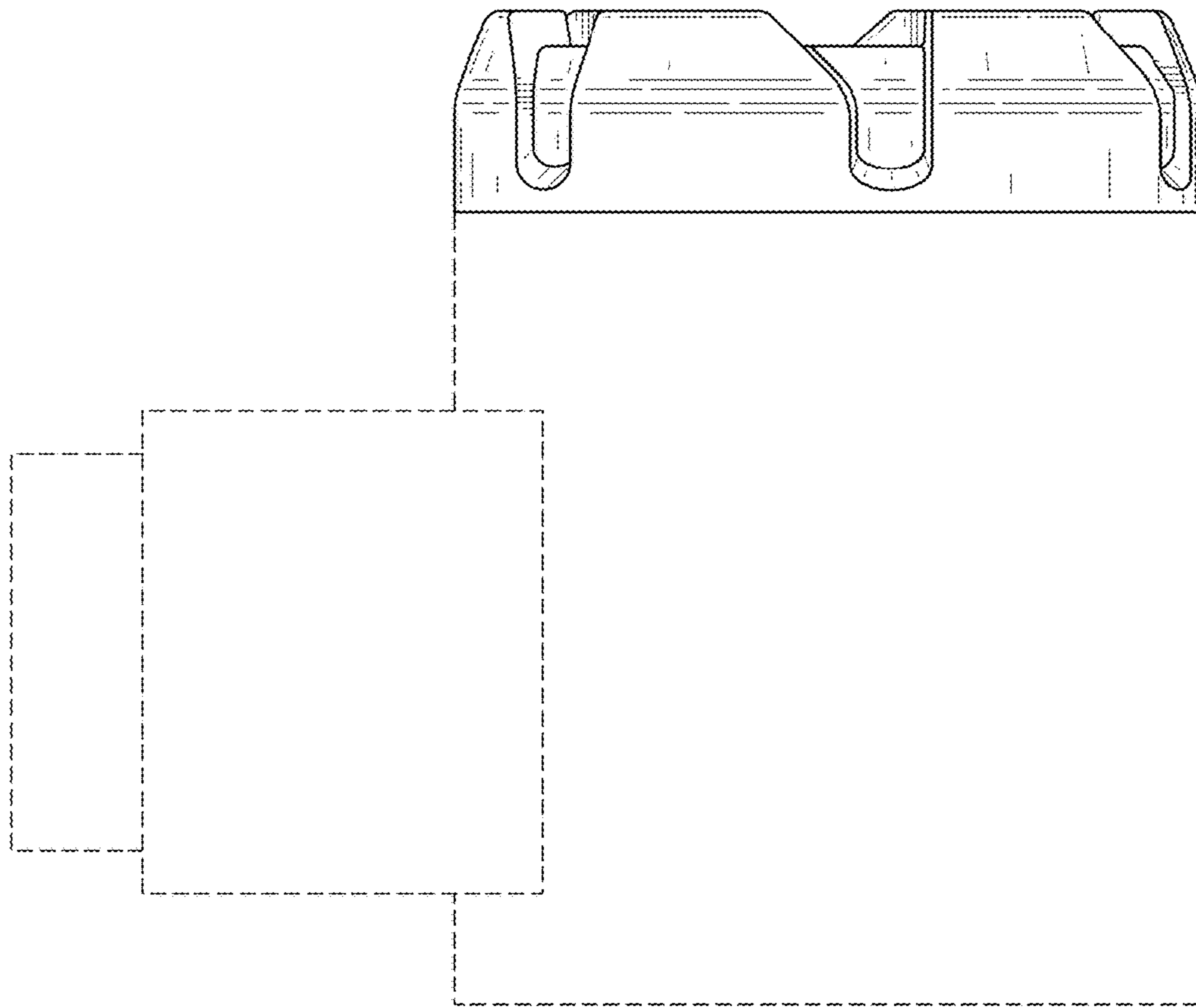


FIG.6

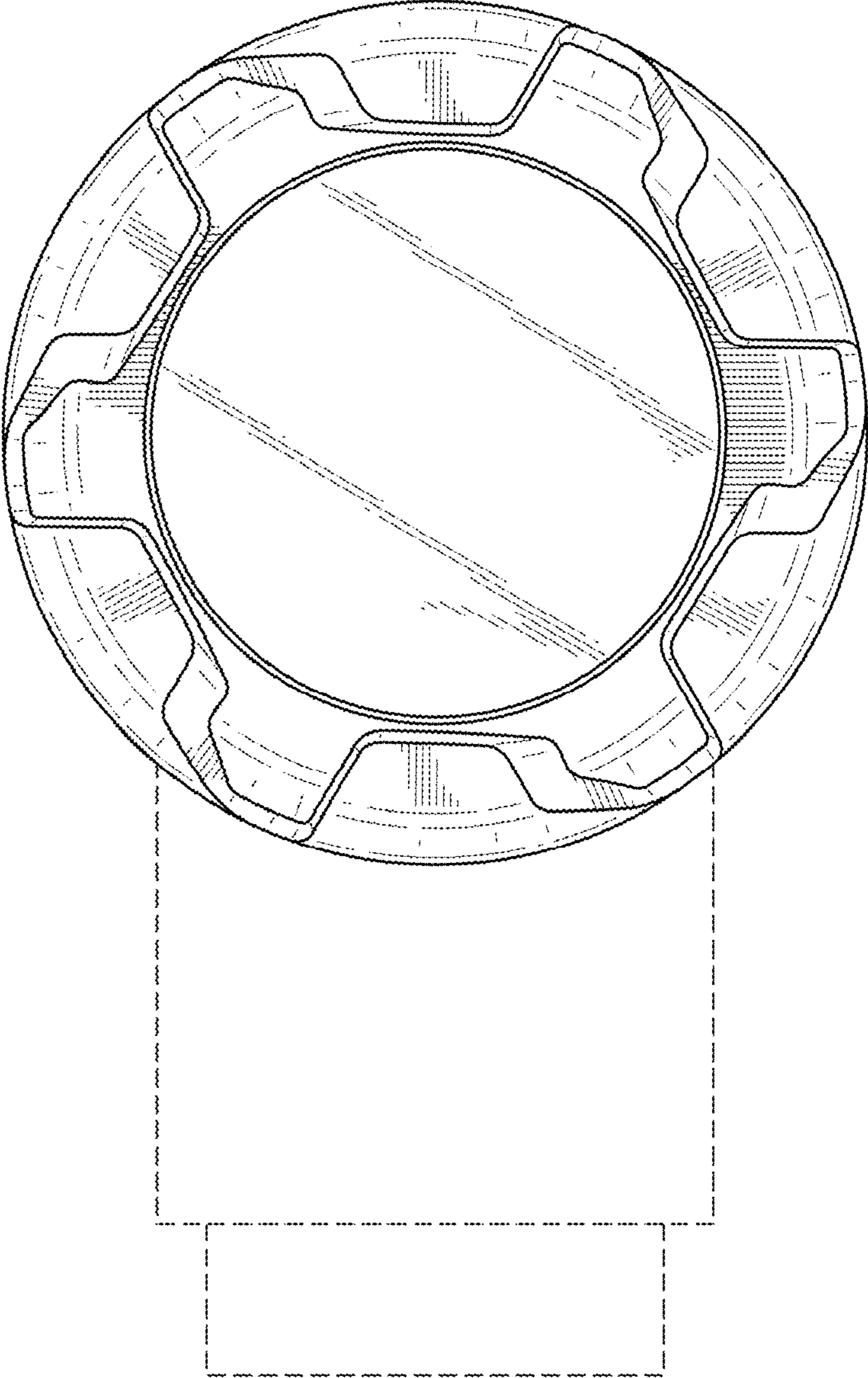


FIG.7