



US00D869971S

(12) **United States Design Patent** (10) **Patent No.:** **US D869,971 S**
Zeyher et al. (45) **Date of Patent:** **** Dec. 17, 2019**

(54) **UPPER HEATING AND WEIGHING PAN**

(56) **References Cited**

(71) Applicant: **Fresenius Medical Care Deutschland GmbH**, Bad Homburg (DE)

U.S. PATENT DOCUMENTS

(72) Inventors: **Peter Zeyher**, Darmstadt (DE); **Florian Guenther**, Freiberg (DE); **Knut Figaj**, Lingen (DE); **Fabio Rezzonico**, Como (IT); **Thomas Faulhaber**, Bergsheinfeld (DE); **Klaus Wolf**, Müdesheim (DE); **Joerg Jonas**, Bogotá (CO)

D252,861 S * 9/1979 Potts D10/94
D301,695 S * 6/1989 DeCastro D10/94

* cited by examiner

(73) Assignee: **FRESENIUS MEDICAL CARE DEUTSCHLAND GMBH**, Bad Homburg (DE)

Primary Examiner — Antoine Duval Davis
(74) *Attorney, Agent, or Firm* — Jacobson Holman, PLLC.

(**) Term: **15 Years**

(57) **CLAIM**

We claim the ornamental design for an upper heating and weighing pan, as shown and described.

(21) Appl. No.: **29/636,585**

DESCRIPTION

(22) Filed: **Feb. 9, 2018**

(30) **Foreign Application Priority Data**

Aug. 10, 2017 (EM) 4142438

(51) **LOC (12) Cl.** **10-04**

(52) **U.S. Cl.**
USPC **D10/94**

(58) **Field of Classification Search**

USPC D10/93, 94

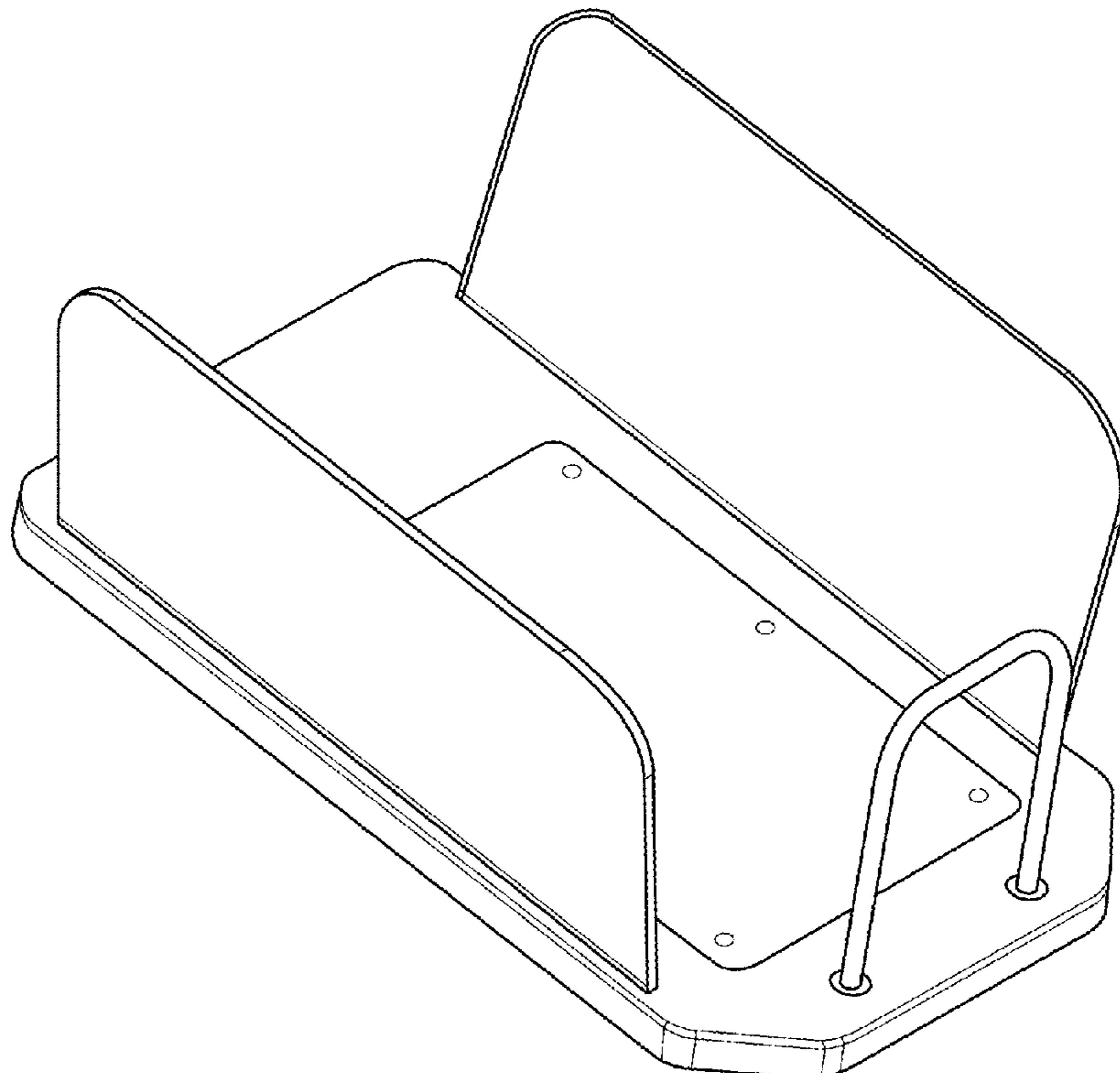
CPC G01G 21/22; G01G 21/23; G01G 21/26;
A61N 1/282; A61M 2205/36; A61M
2205/3334; A61M 2209/084; A61M
2205/3368; A61M 2205/3393

FIG. 1 is a front perspective view of FIG. 3;
FIG. 2 is a top perspective view from a different angle of FIG. 3;
FIG. 3 is a front vertical view of an upper heating and weighing pan;
FIG. 4 is a top plan view of FIG. 3;
FIG. 5 is a left side view of FIG. 3;
FIG. 6 is a right side view of FIG. 3;
FIG. 7 is a rear view of FIG. 3; and,
FIG. 8 is a bottom view of FIG. 3.

The broken lines illustrate portions of the upper heating and weighing pan that form no part of the claimed design.

See application file for complete search history.

1 Claim, 8 Drawing Sheets



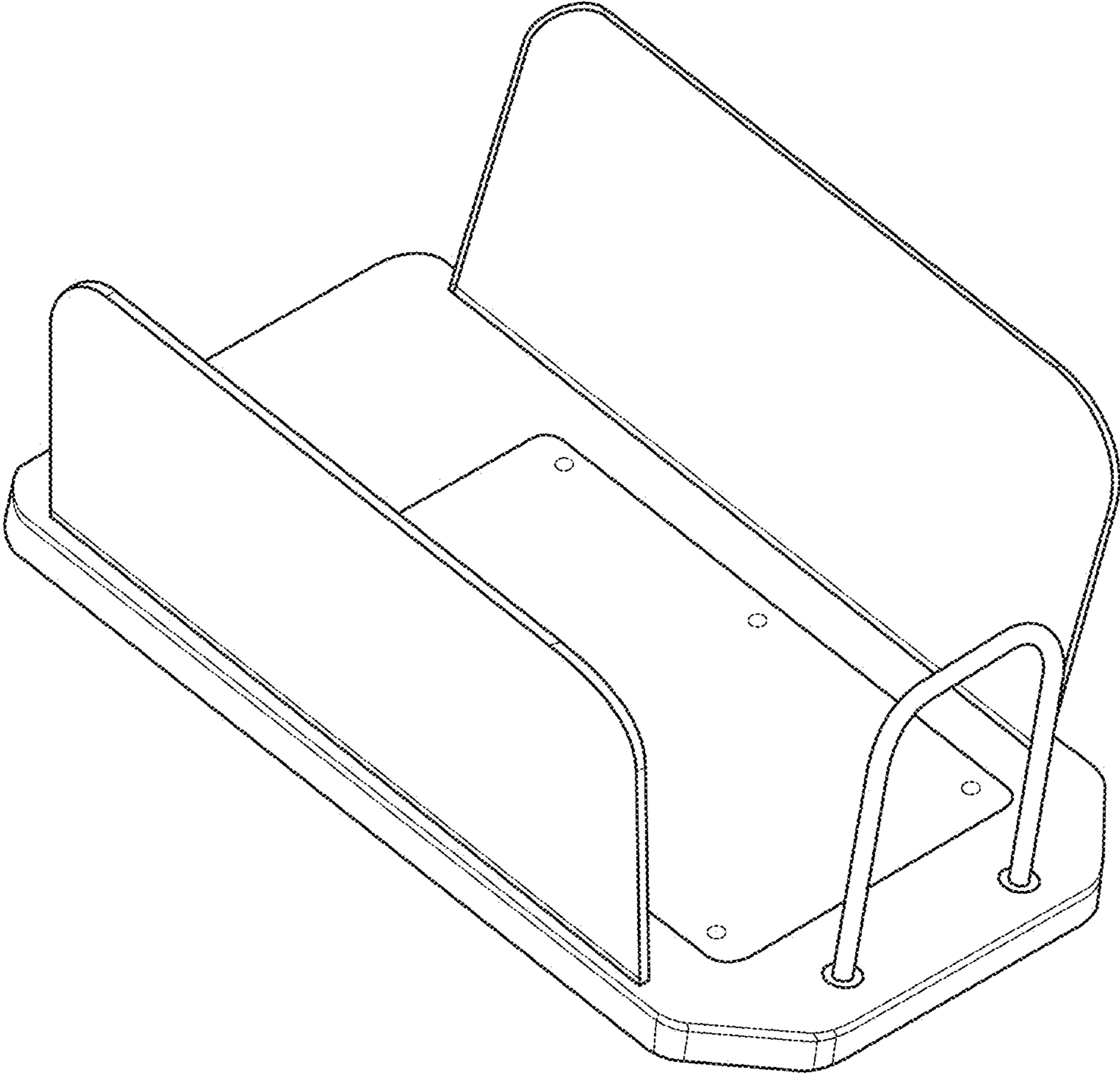


Fig. 1

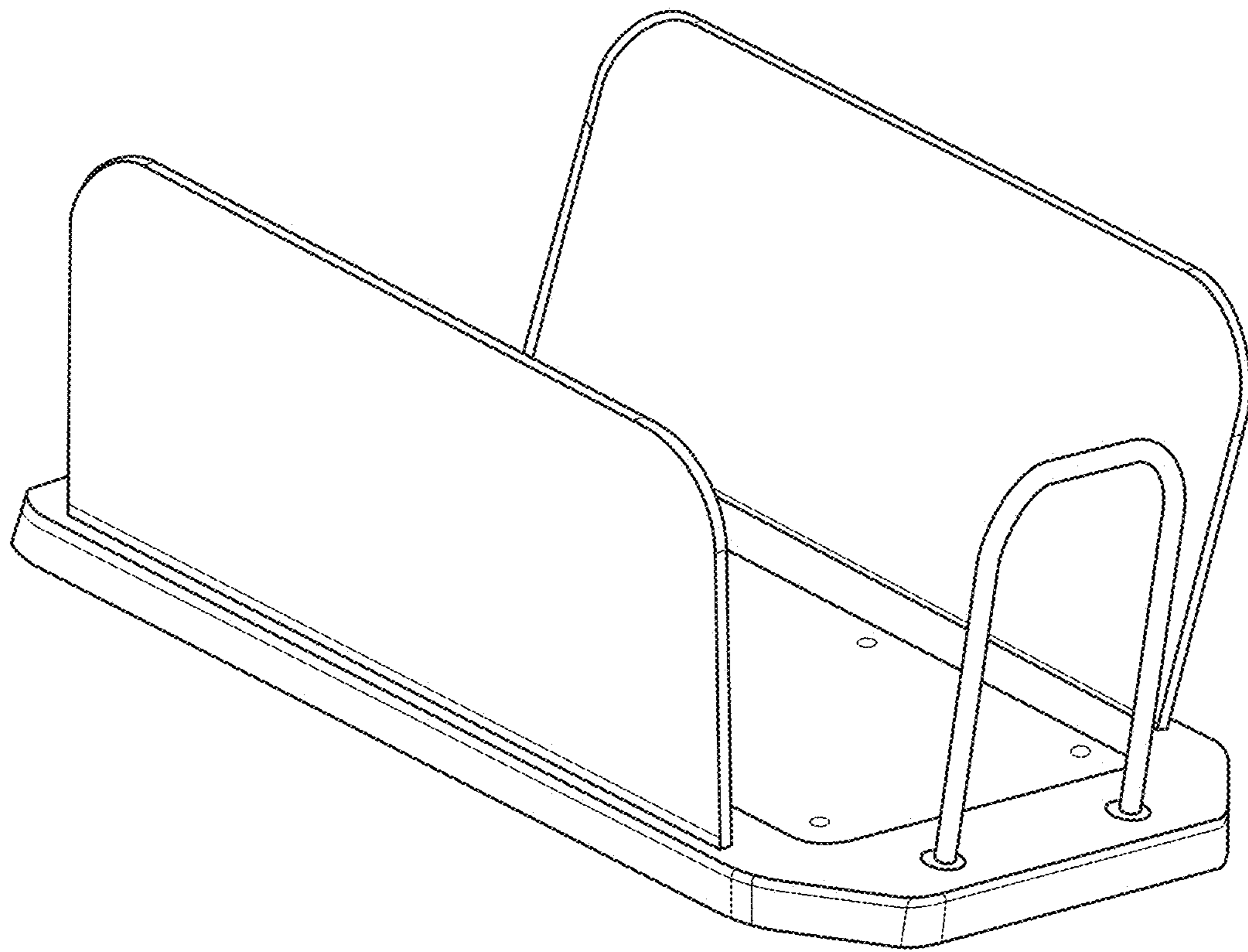


Fig. 2

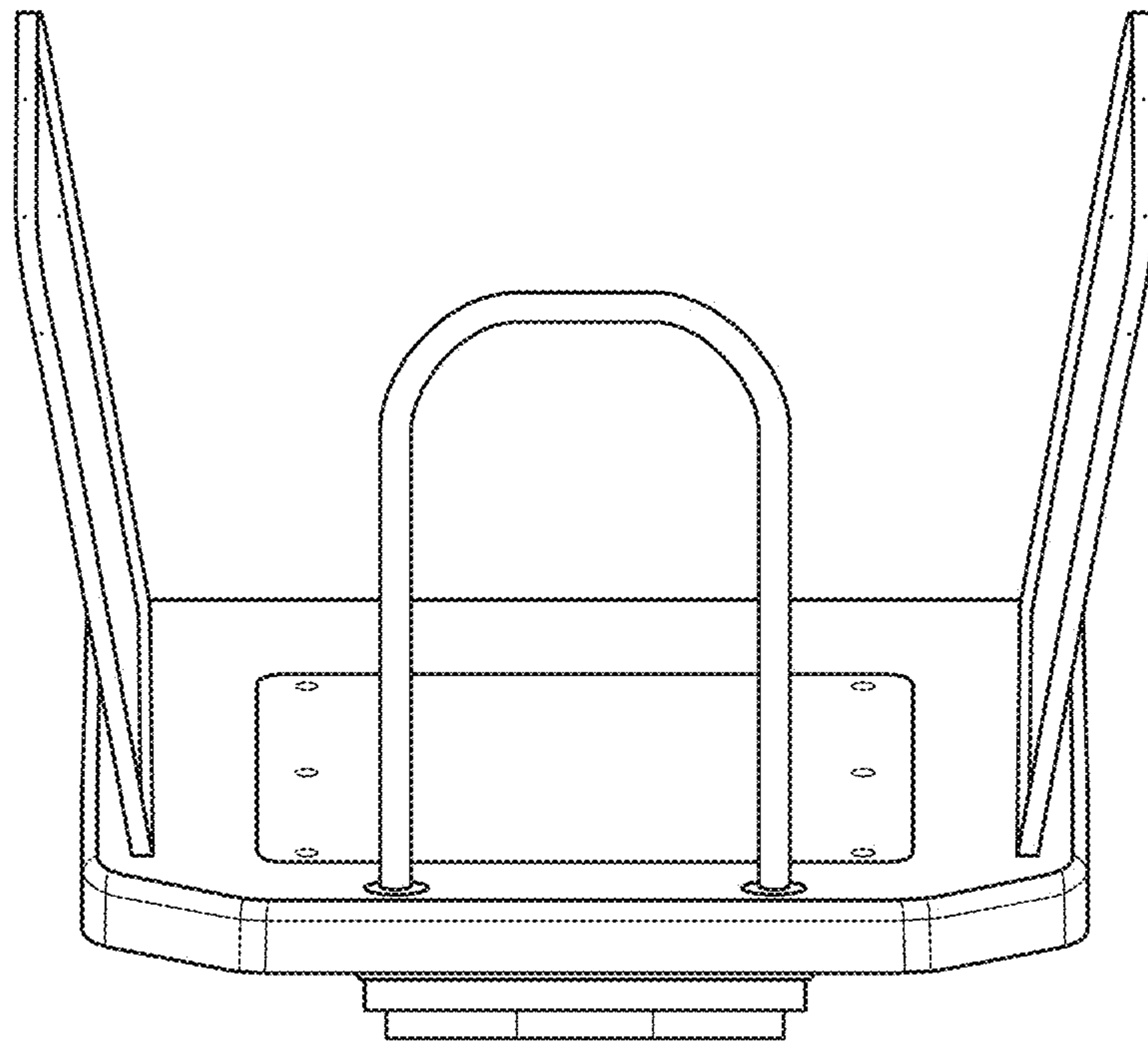


Fig. 3

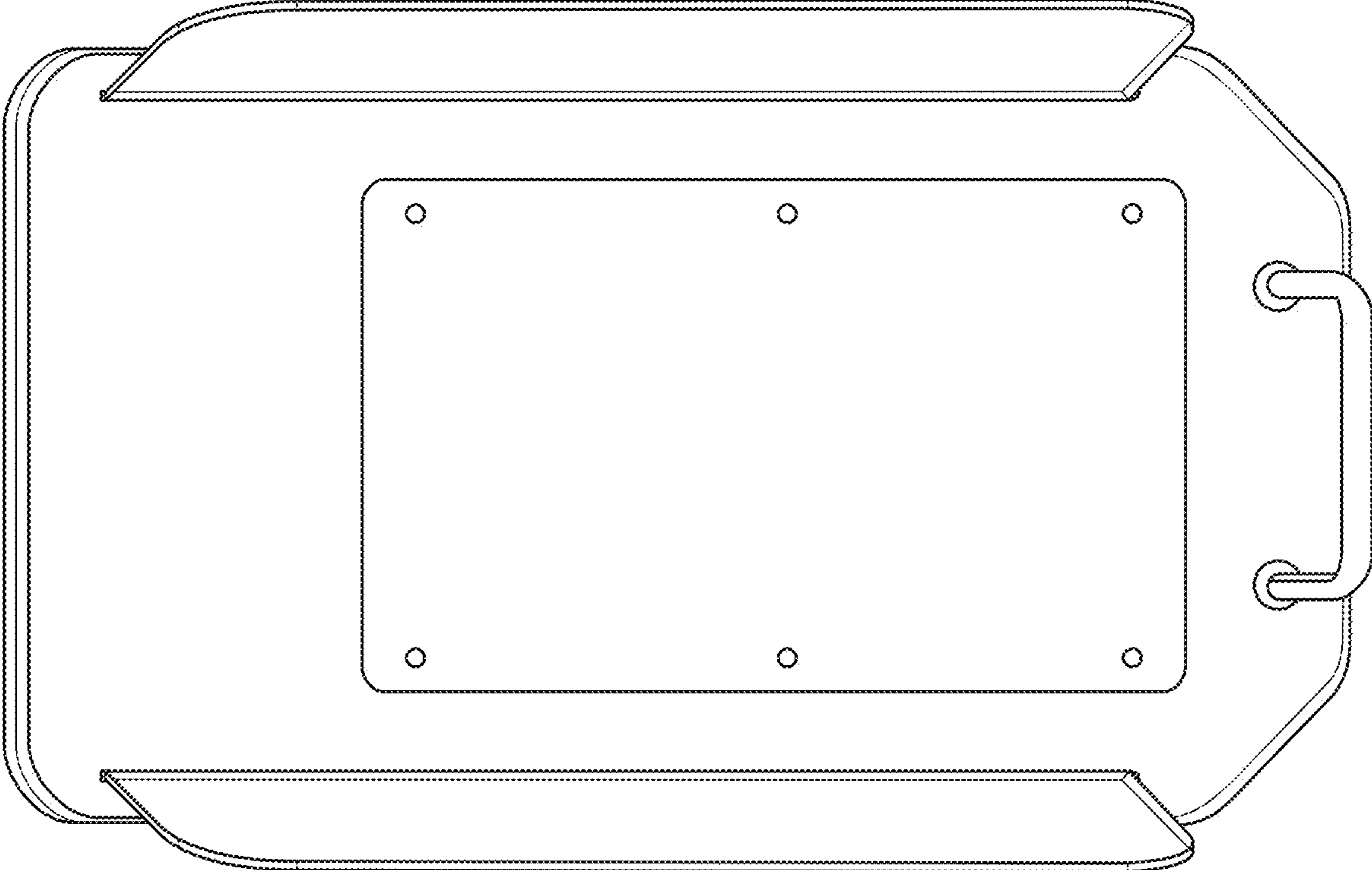


Fig. 4

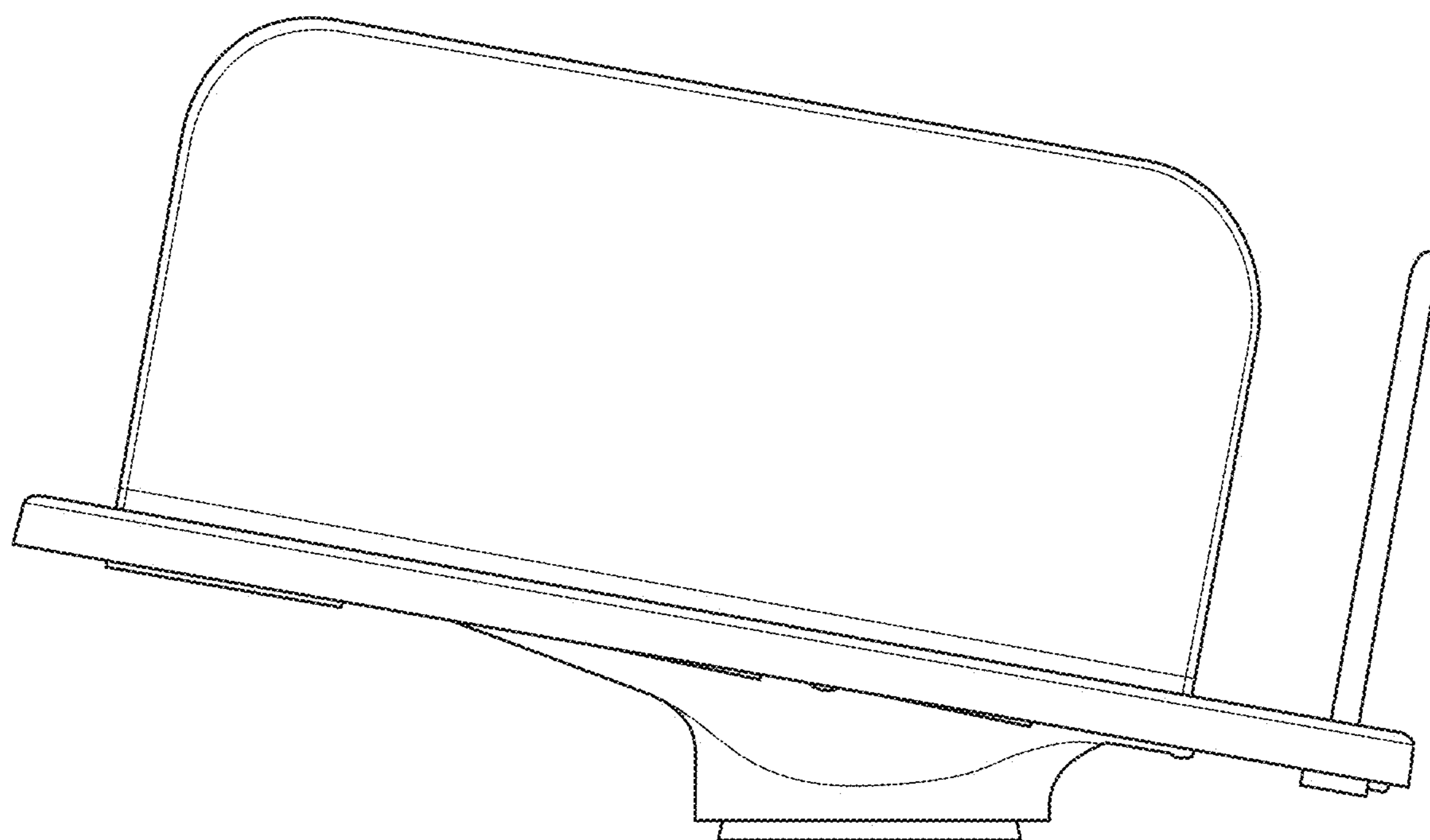


Fig. 5

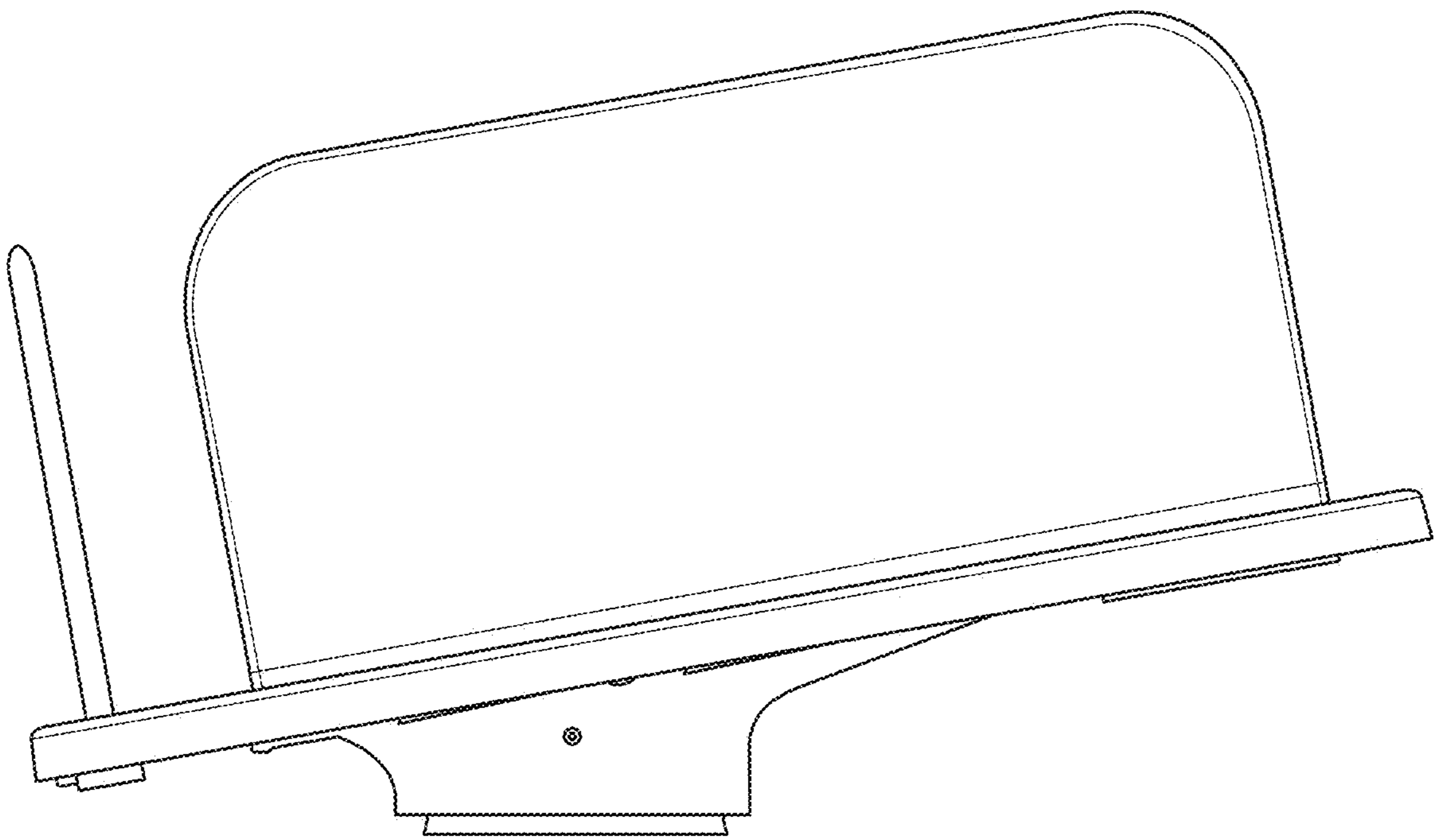


Fig. 6

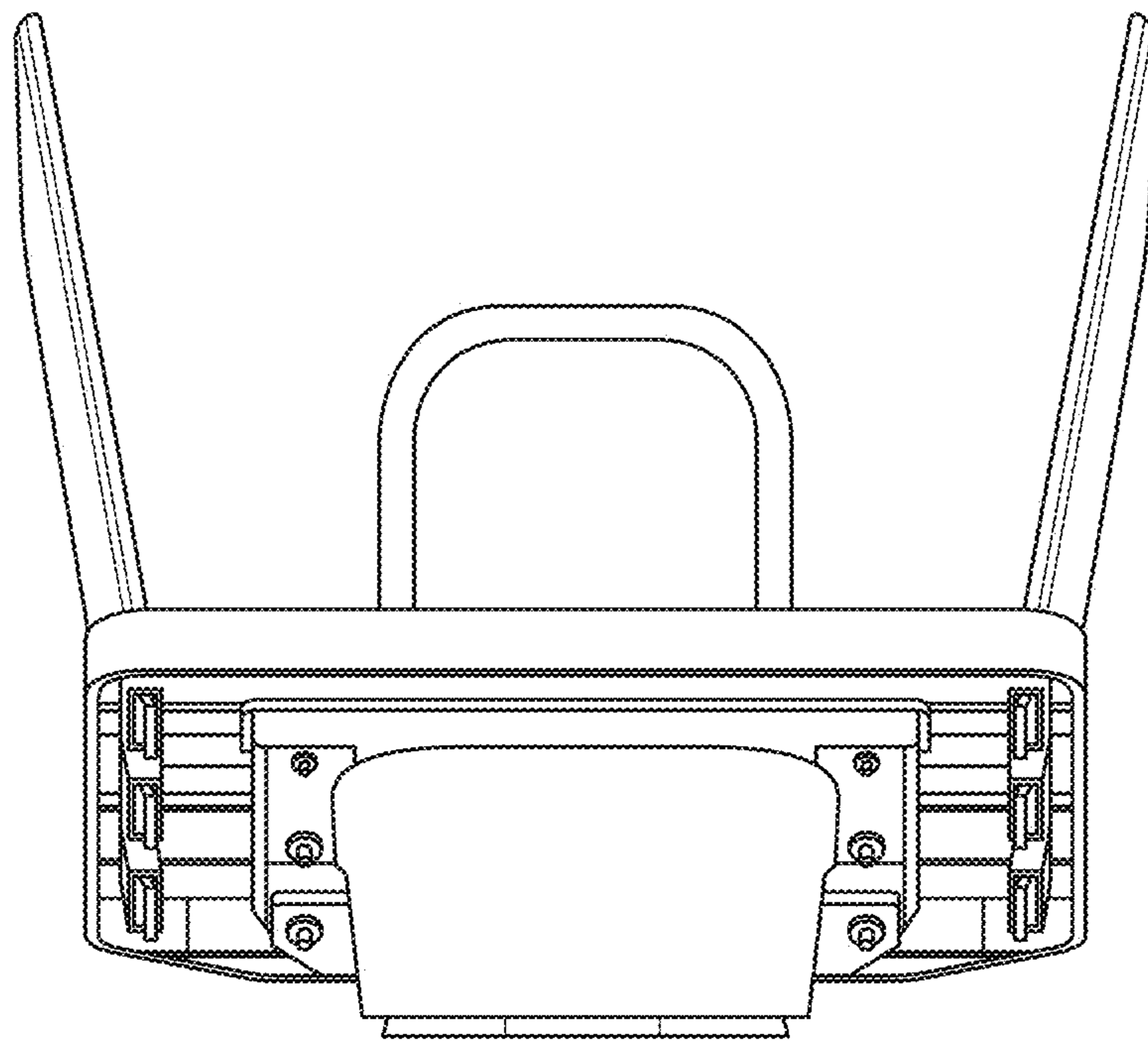


Fig. 7

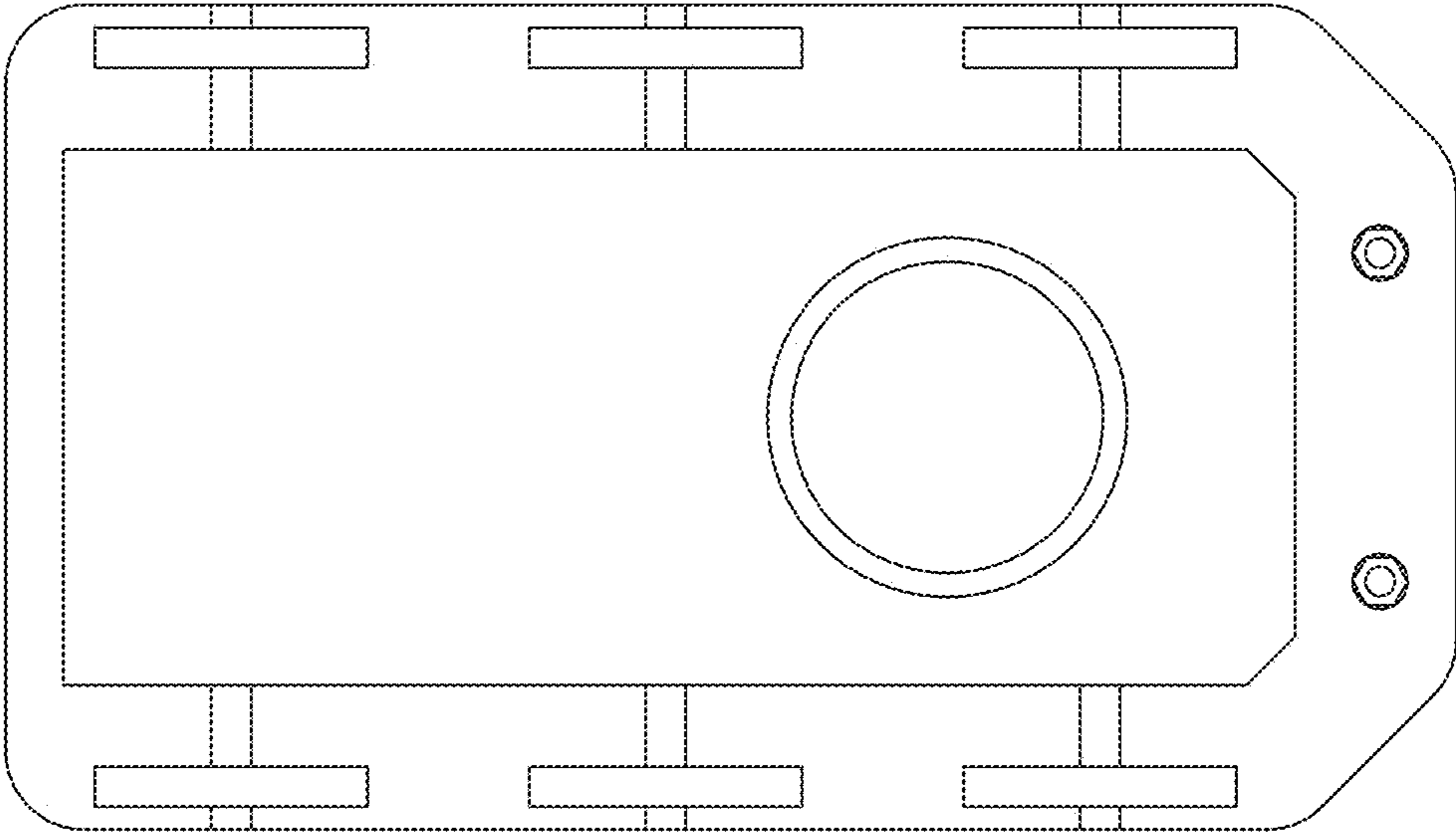


Fig. 8