



US00D869969S

(12) **United States Design Patent**
Matsumoto et al.

(10) **Patent No.:** **US D869,969 S**

(45) **Date of Patent:** **** Dec. 17, 2019**

(54) **TESTING DEVICE FOR TIRES**
(71) Applicant: **KOKUSAI KEISOKUKI**
KABUSHIKI KAISHA, Tokyo (JP)
(72) Inventors: **Sigeru Matsumoto**, Tama (JP); **Hiroshi**
Miyashita, Tama (JP); **Kazuhiro**
Murauchi, Tama (JP); **Shuichi Tokita**,
Tama (JP)

D801,202 S * 10/2017 Johnston D10/81
D823,149 S * 7/2018 Schulze D10/81
10,156,586 B2 * 12/2018 Adams G01R 1/0466
D840,847 S * 2/2019 Doi D10/65
10,209,272 B2 * 2/2019 Li G01R 1/0416
D842,726 S * 3/2019 Weaver D10/75
D847,676 S * 5/2019 Matsumiya D10/83
D848,882 S * 5/2019 Matsumiya D10/83
D848,883 S * 5/2019 Matsumiya D10/83

* cited by examiner

(**) Term: **15 Years**

Primary Examiner — George D. Kirschbaum

(21) Appl. No.: **35/505,599**

(22) Filed: **Mar. 5, 2018**

(80) **Hague Agreement Data**

Int. Filing Date: **Mar. 5, 2018**
Int. Reg. No.: **DM/101872**
Int. Reg. Date: **Mar. 5, 2018**
Int. Reg. Pub. Date: **Sep. 7, 2018**

(57) **CLAIM**

The ornamental design for a testing device for tires, as shown and described.

(30) **Foreign Application Priority Data**

Dec. 28, 2017 (JP) 2017-029458
Dec. 28, 2017 (JP) 2017-029459

(51) **LOC (12) Cl.** **10-04**

(52) **U.S. Cl.**
USPC **D10/82**

(58) **Field of Classification Search**
USPC D10/81, 83, 75, 65, 82; D15/199;
D24/216

CPC G01R 1/0416; G01R 1/0466; B01L 1/00
See application file for complete search history.

DESCRIPTION

- 1. Testing device for tires
- 1.1 : Front
- 1.2 : Back
- 1.3 : Left
- 1.4 : Right
- 1.5 : Top
- 1.6 : Perspective view (front, top, left)
- 1.7 : Perspective view (back, top, right)
- 1.8 : Reference view (front)

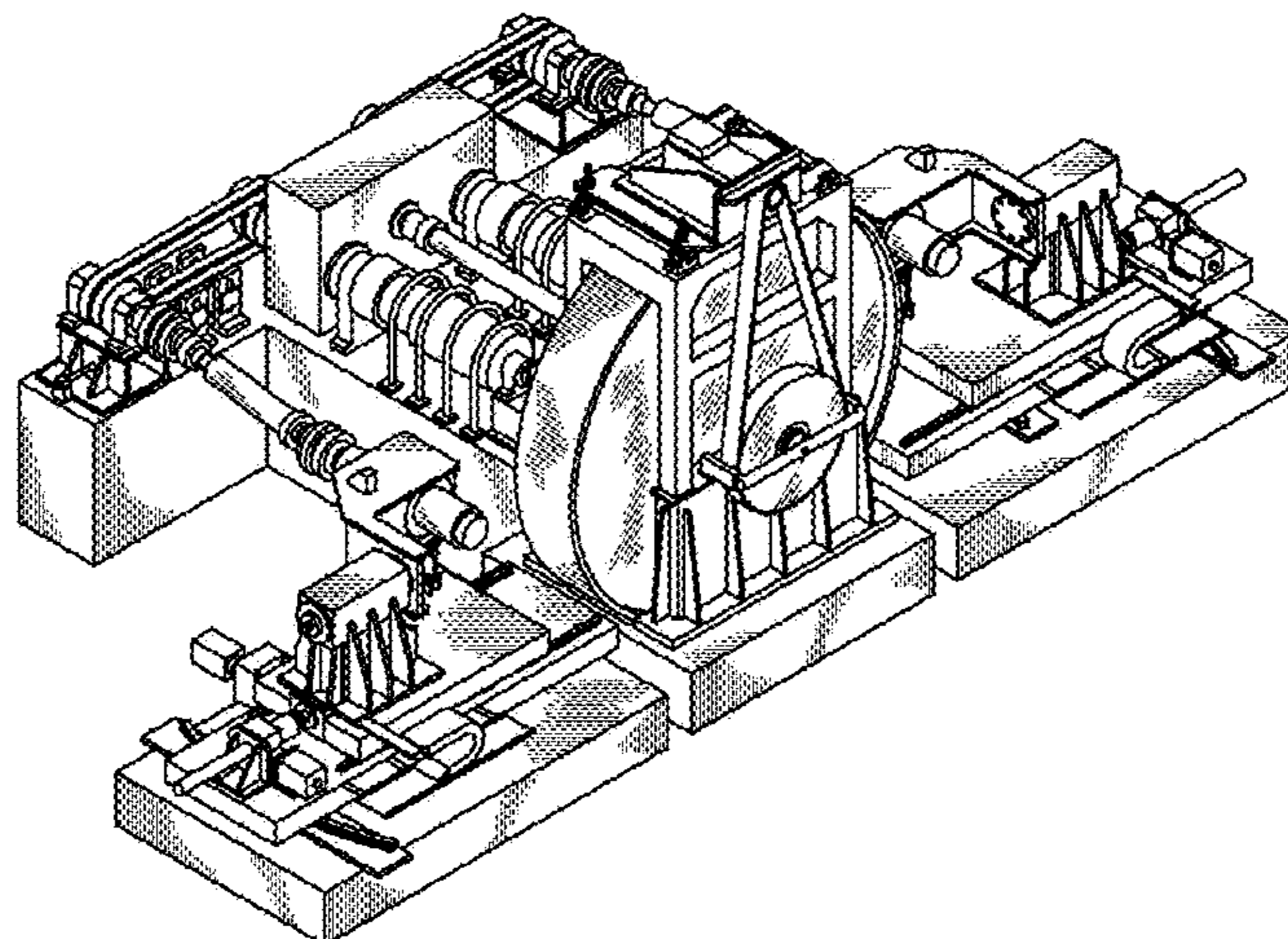
The bottom of the design is flat and unadorned, and thus disclaimed. In FIG. 1.8, the broken line showing of wheels and tires is included for the purpose of illustrating portions of the “article” that form no part of the claimed design.

(56) **References Cited**

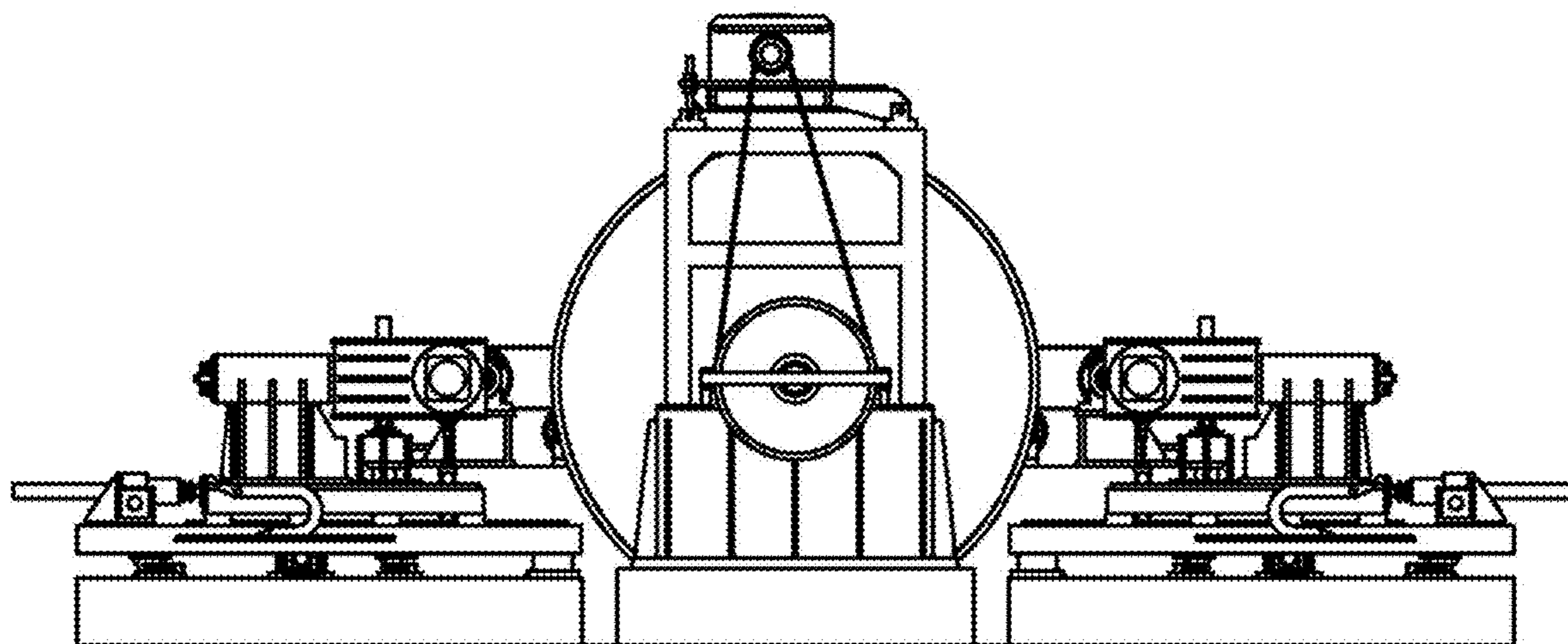
U.S. PATENT DOCUMENTS

7,629,533 B2 * 12/2009 Cole, Sr. B01L 1/00
174/17.07
D638,952 S * 5/2011 Oonuma D24/216
D712,447 S * 9/2014 He D15/199
D787,695 S * 5/2017 Mottscheller D24/216
D796,360 S * 9/2017 Schulz D10/83

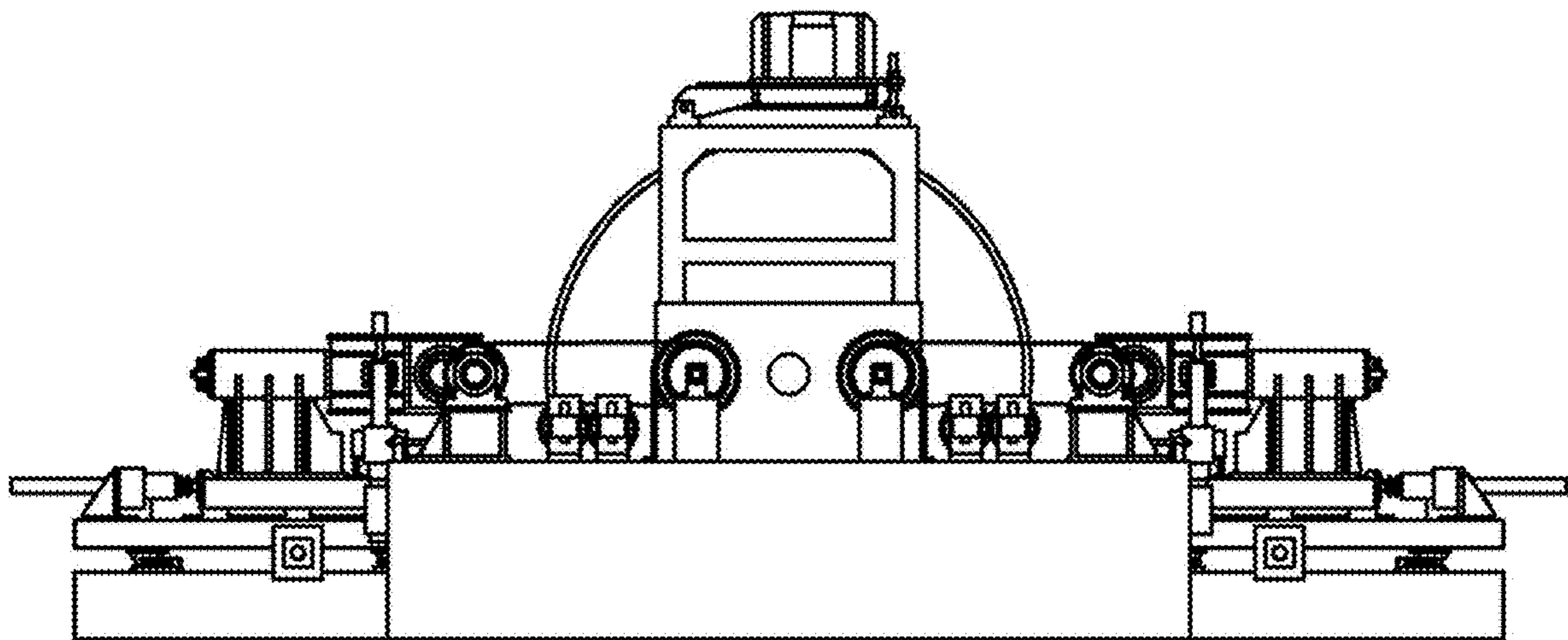
1 Claim, 8 Drawing Sheets



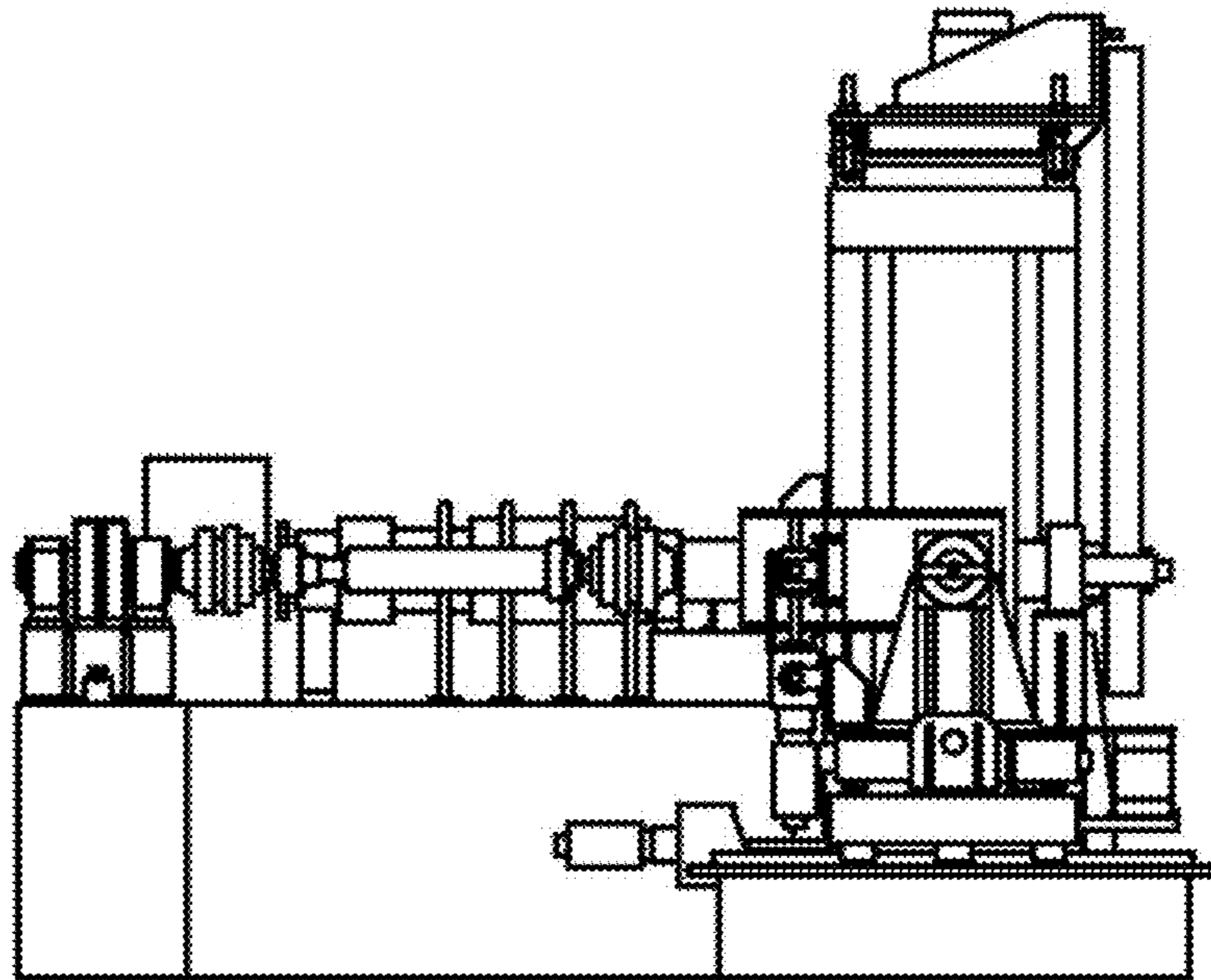
1.1



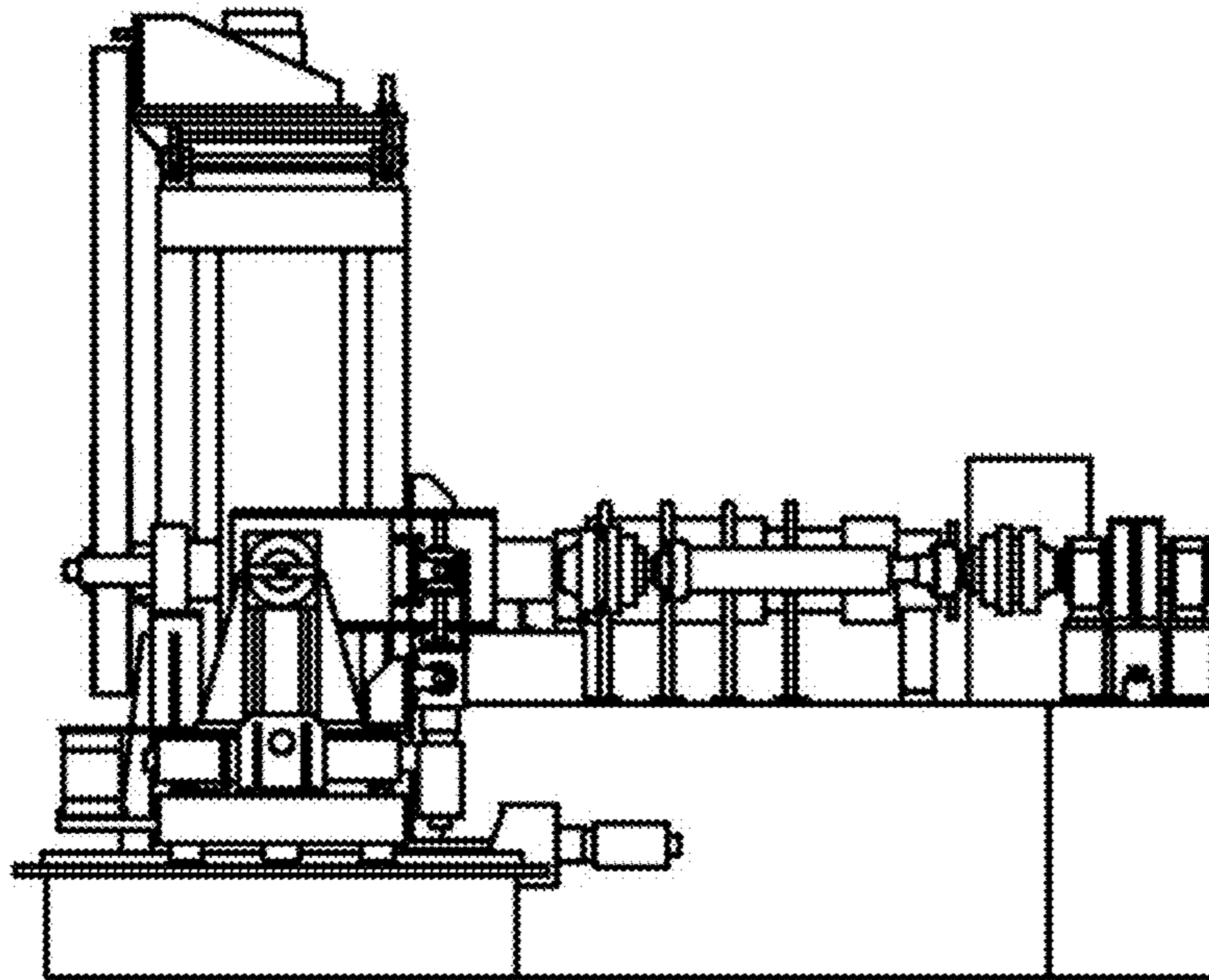
1.2



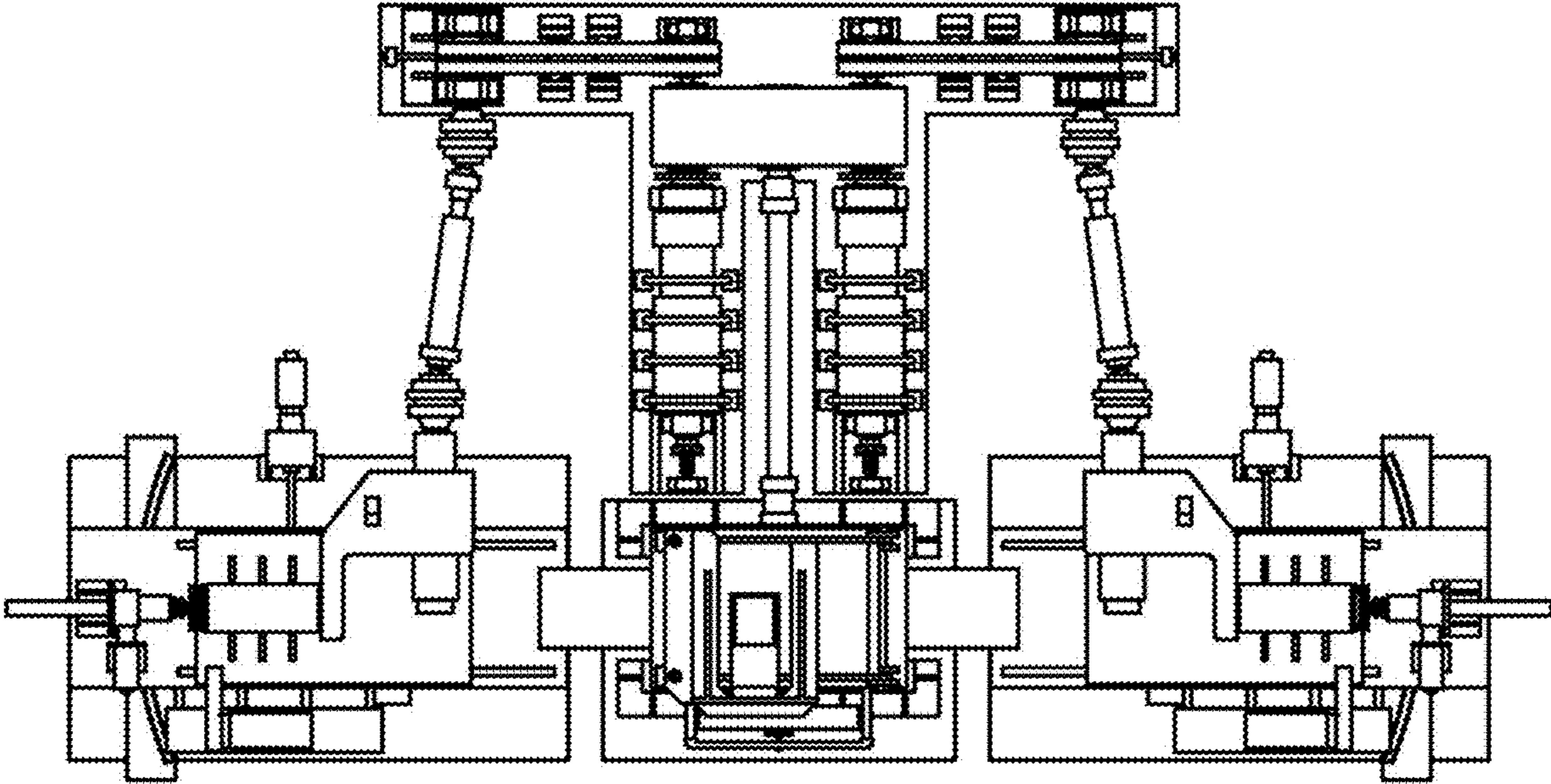
1.3



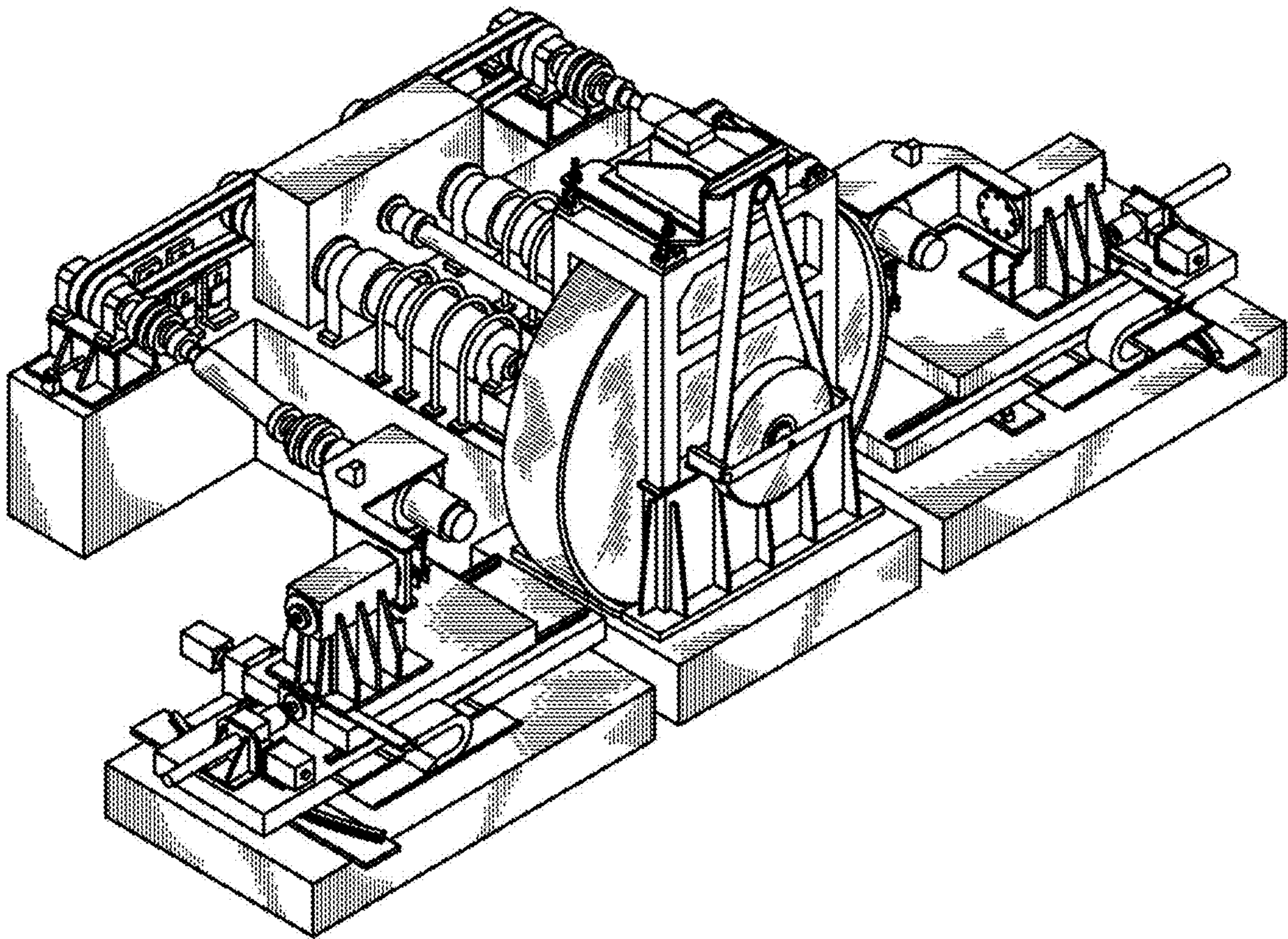
1.4



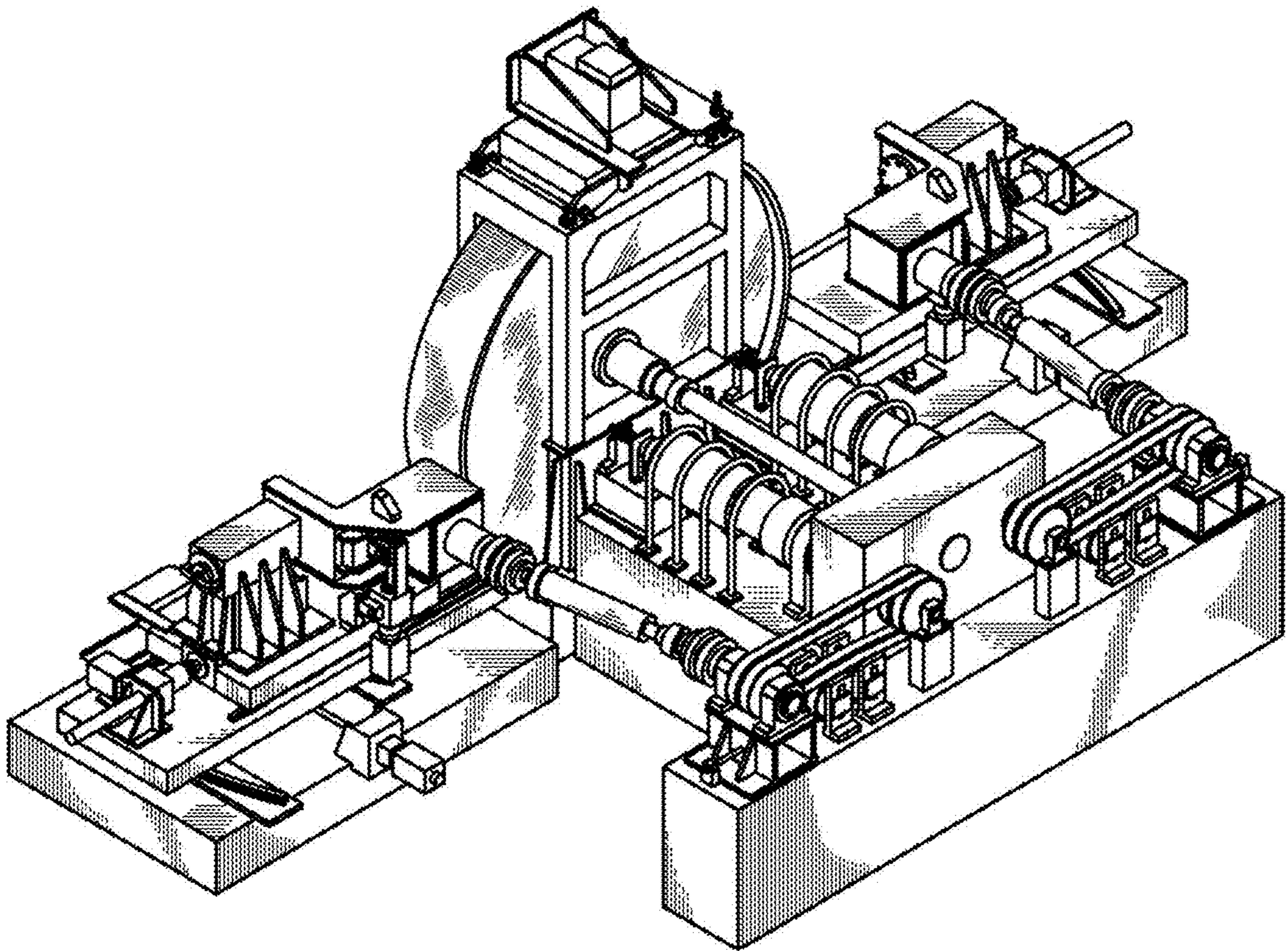
1.5



1.6



1.7



1.8

