



US00D869967S

(12) **United States Design Patent** (10) **Patent No.:** **US D869,967 S**
Turley (45) **Date of Patent:** **** Dec. 17, 2019**

(54) **BEVEL GAUGE**

Primary Examiner — Antoine Duval Davis

(71) Applicant: **Woodpeckers, LLC**, Strongsville, OH (US)

(74) *Attorney, Agent, or Firm* — Sand, Sebolt & Wernow Co., LPA

(72) Inventor: **Paul E. Turley**, Amherst, OH (US)

(73) Assignee: **Woodpeckers, LLC**, Strongsville, OH (US)

(57) **CLAIM**

(**) Term: **15 Years**

The ornamental design for a bevel gauge, as shown and described.

(21) Appl. No.: **29/667,690**

(22) Filed: **Oct. 24, 2018**

DESCRIPTION

(51) **LOC (12) Cl.** **10-04**

(52) **U.S. Cl.**
USPC **D10/65**

(58) **Field of Classification Search**
USPC D10/65
CPC G01B 3/56; G01B 3/563; G01B 3/566
See application file for complete search history.

FIG. 1 is a front, top, right side isometric perspective view of a bevel gauge in accordance with my design;
FIG. 2 is a front elevation view thereof;
FIG. 3 is a back elevation view thereof;
FIG. 4 is a right side view thereof;
FIG. 5 is a left side view thereof;
FIG. 6 is a top plan view thereof;
FIG. 7 is a bottom plan view thereof;
FIG. 8 is a front, top, right side isometric perspective view of an alternative embodiment of a bevel gauge,
FIG. 9 is a front elevation view thereof;
FIG. 10 is a back elevation view thereof;
FIG. 11 is a right side view thereof;
FIG. 12 is a left side view thereof;
FIG. 13 is a top plan view thereof; and,
FIG. 14 is a bottom plan view thereof.
The broken lines illustrate portions of the bevel gauge which form no part of the claimed design.

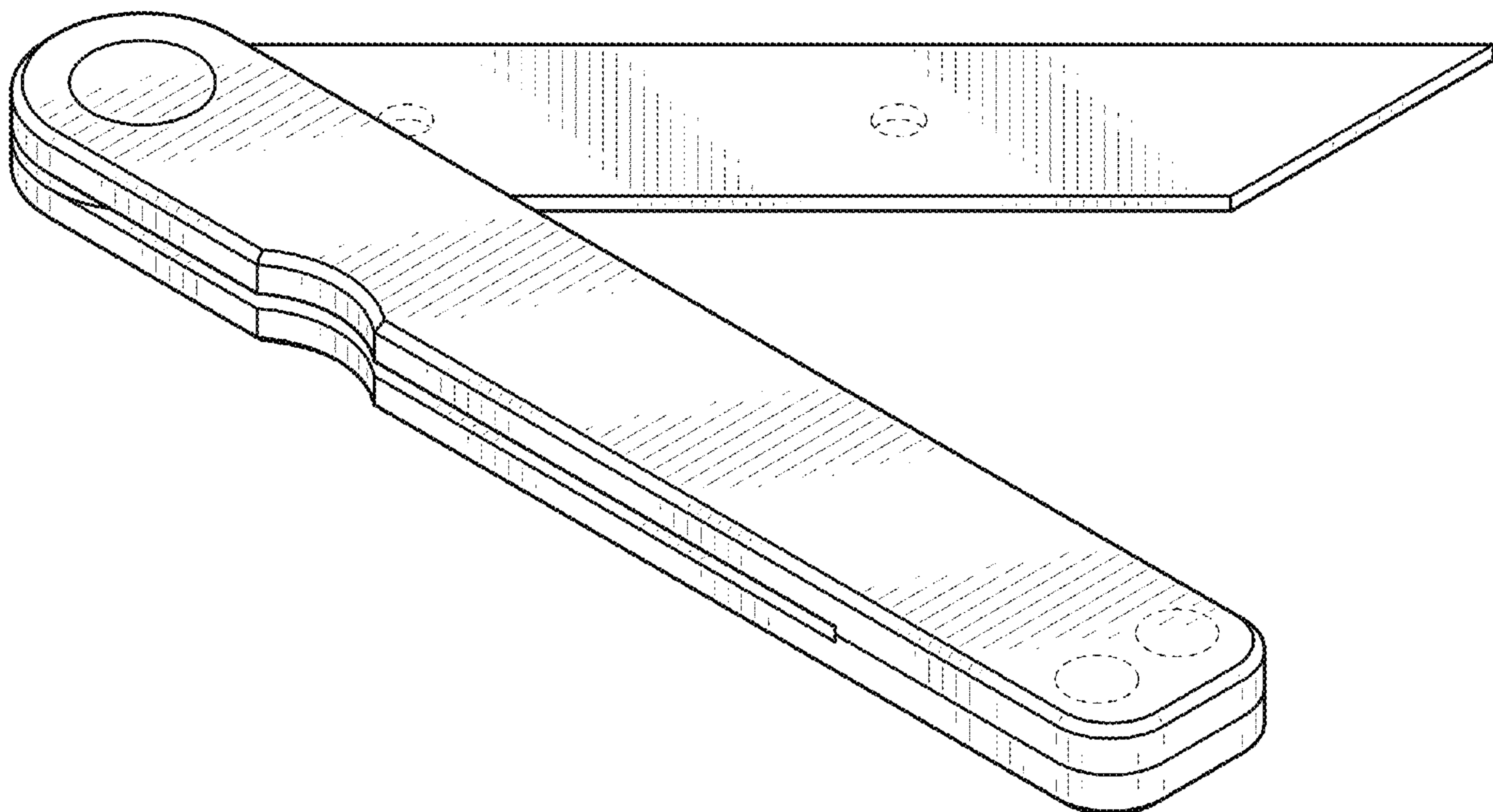
(56) **References Cited**

U.S. PATENT DOCUMENTS

- 5,020,233 A * 6/1991 Syken B43L 7/12
33/418
- 6,209,213 B1 * 4/2001 Moe G01B 3/004
33/451
- 6,796,046 B1 * 9/2004 May B43L 7/10
33/404
- D657,271 S * 4/2012 Quint, Jr. B43L 7/10
D10/65
- 10,345,090 B2 * 7/2019 Ostachowski B43L 7/10

* cited by examiner

1 Claim, 7 Drawing Sheets



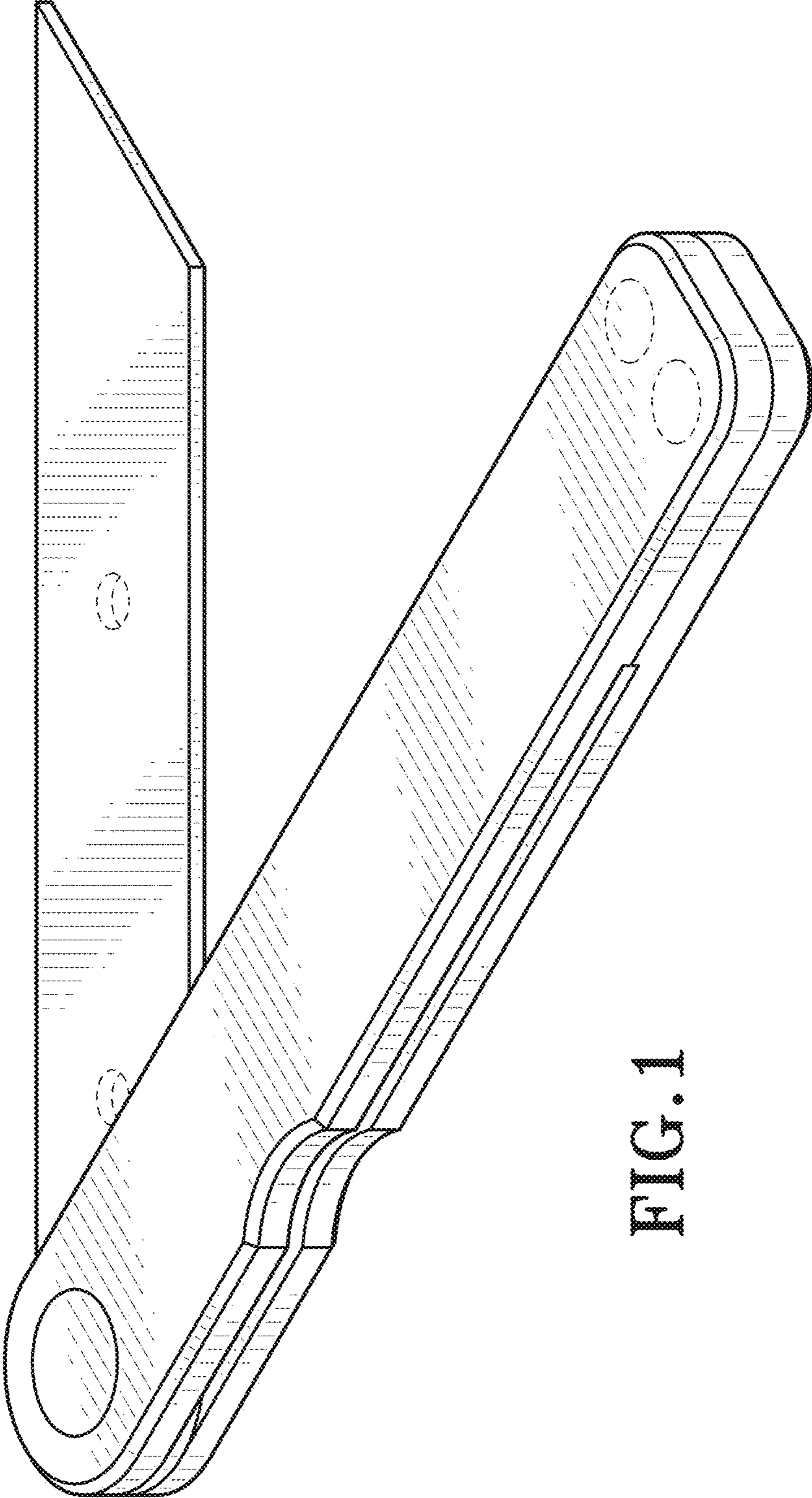


FIG. 1

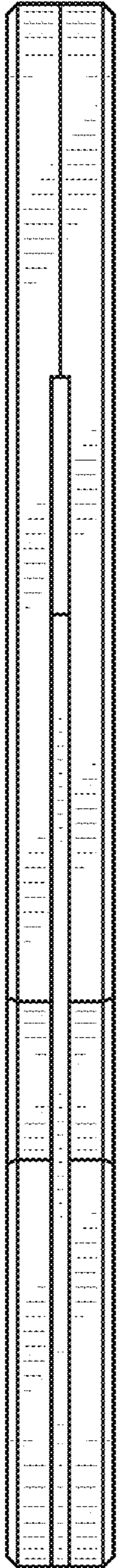


FIG. 2

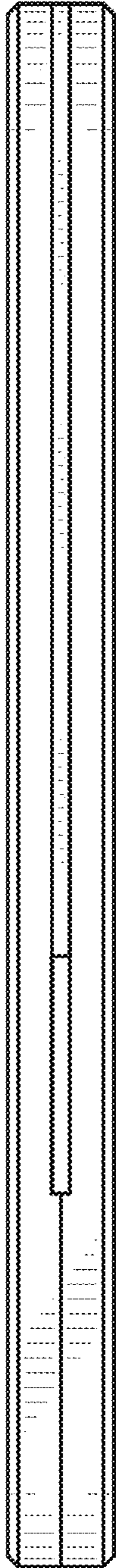


FIG. 3

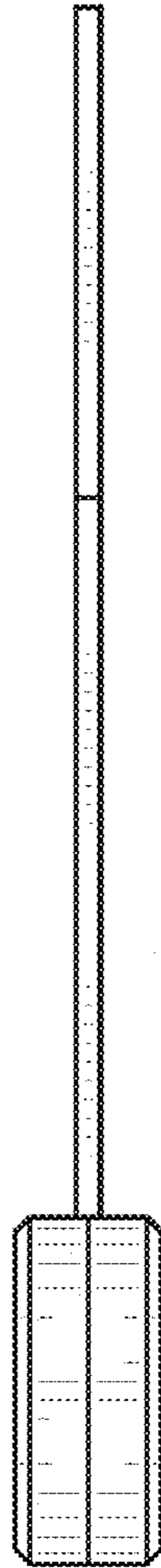


FIG. 4

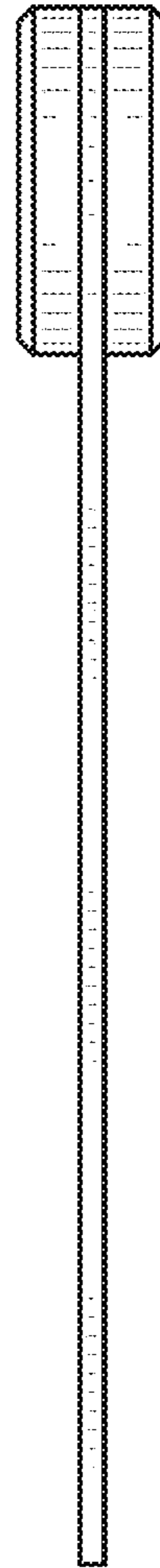


FIG. 5

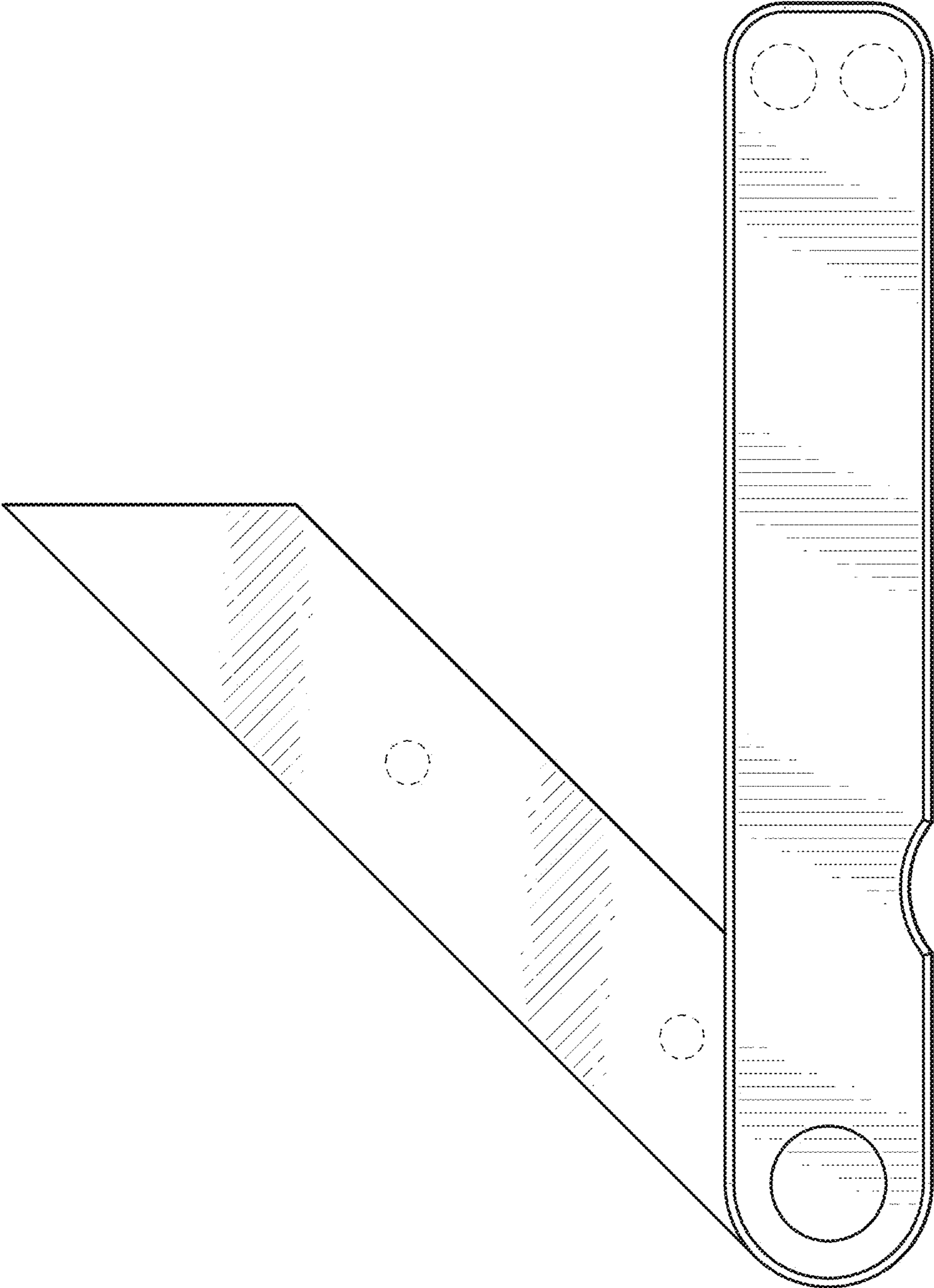


FIG. 6

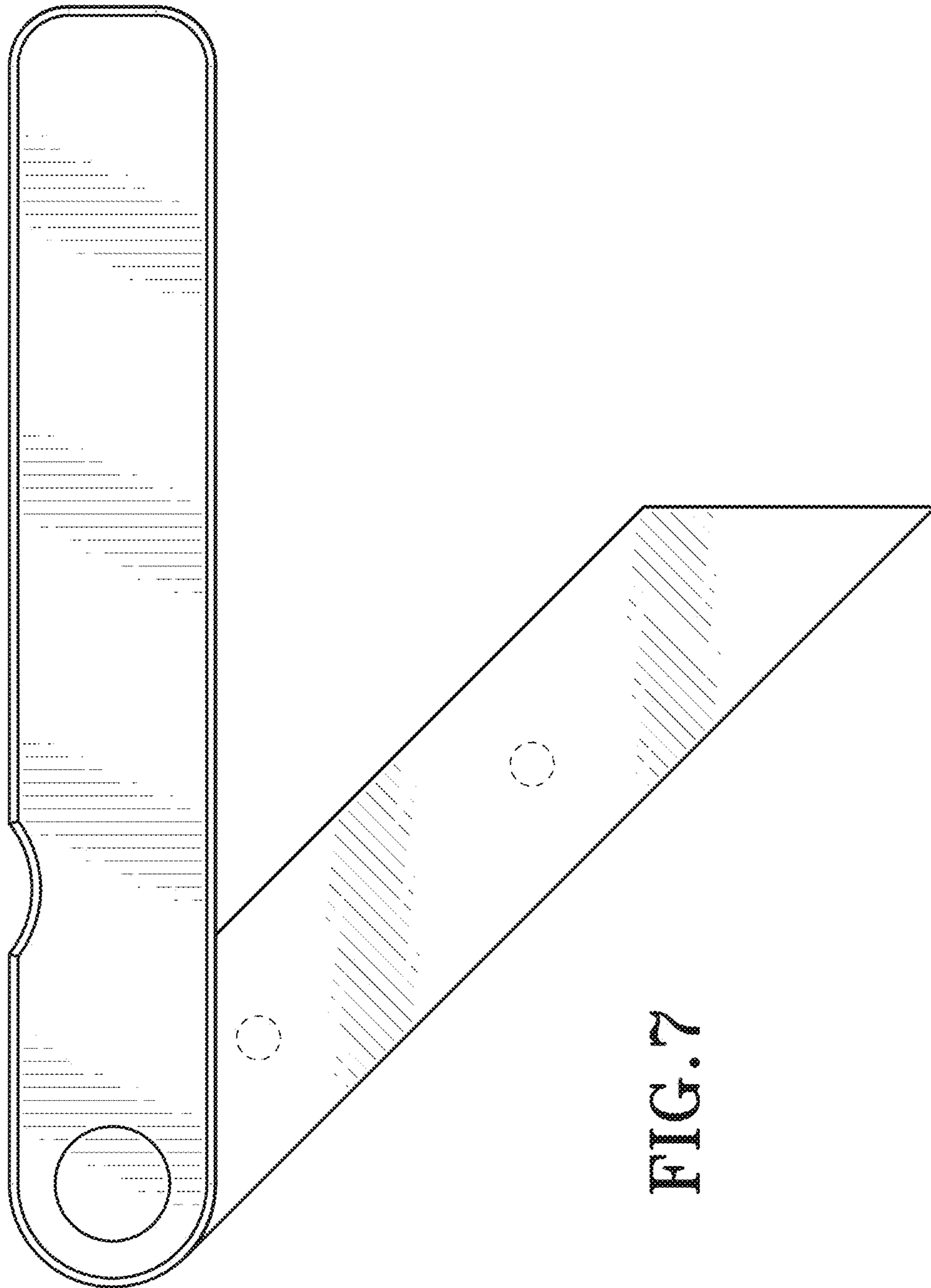


FIG. 7

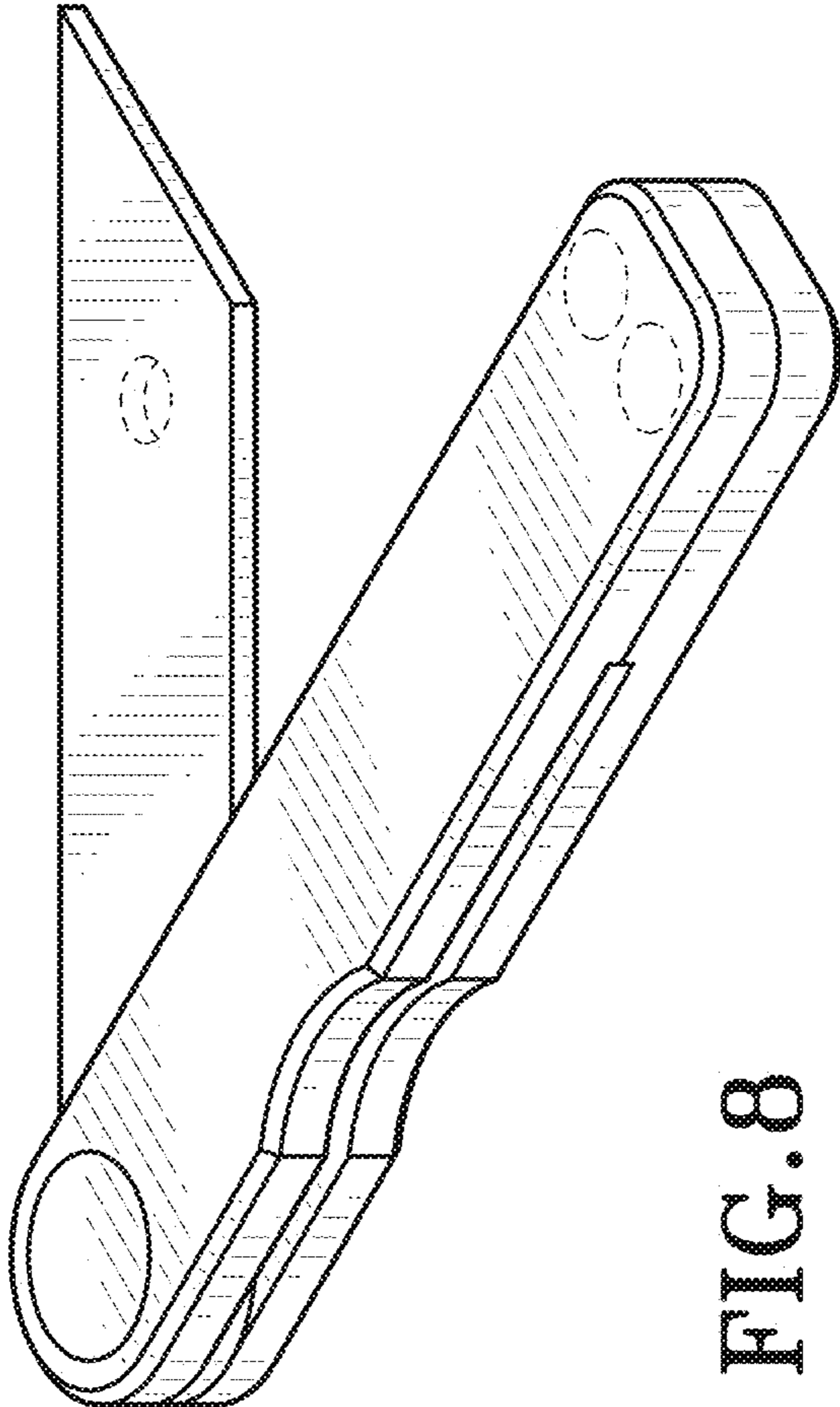


FIG. 8

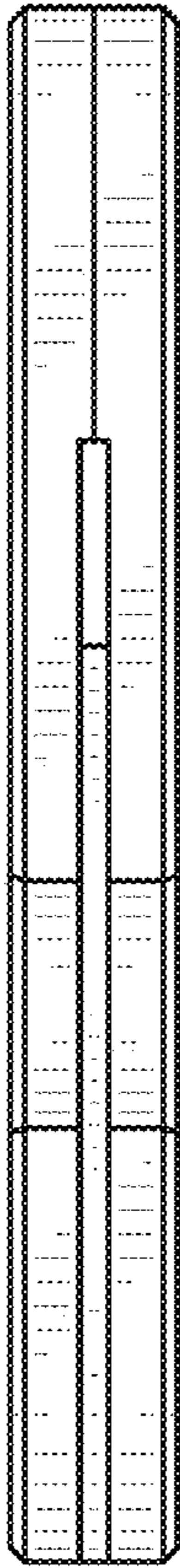


FIG. 9

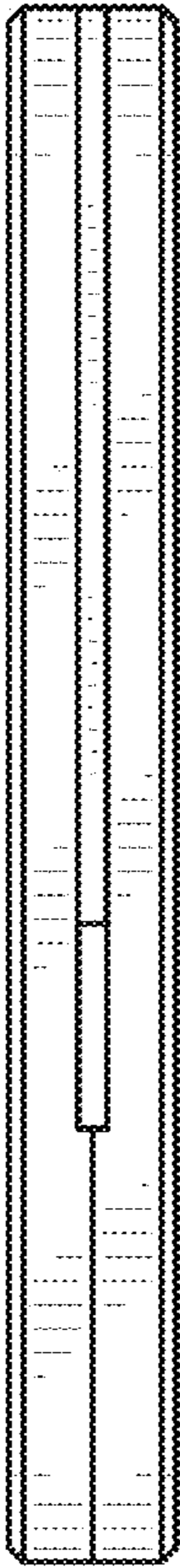


FIG. 10

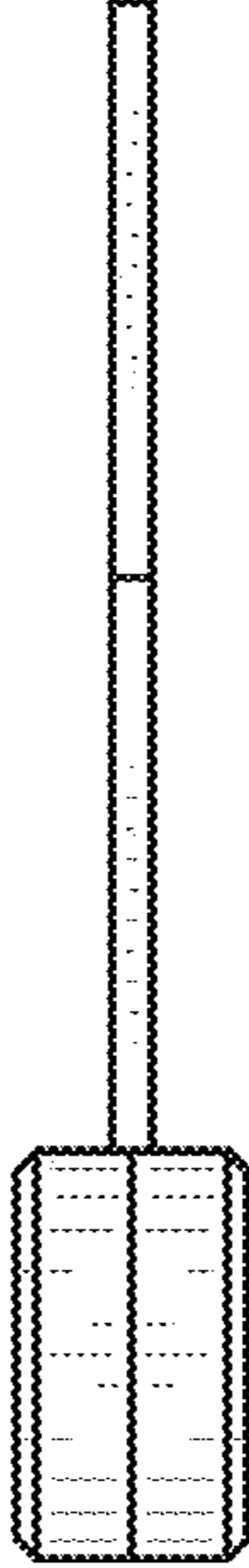


FIG. 11

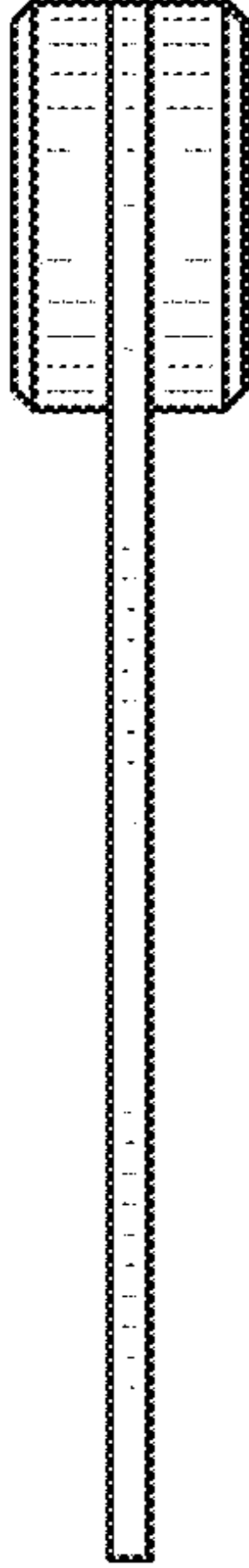


FIG. 12

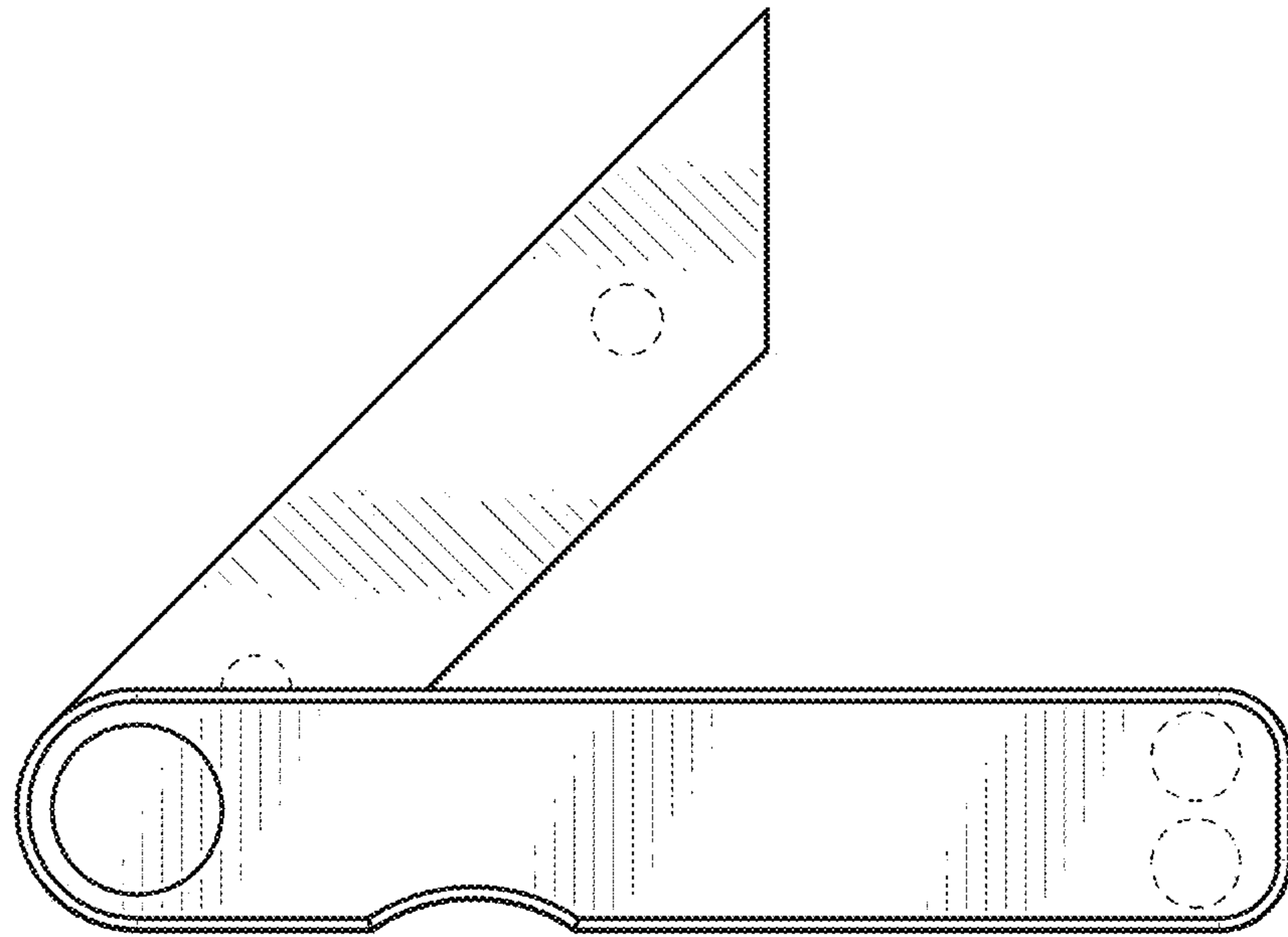


FIG. 13

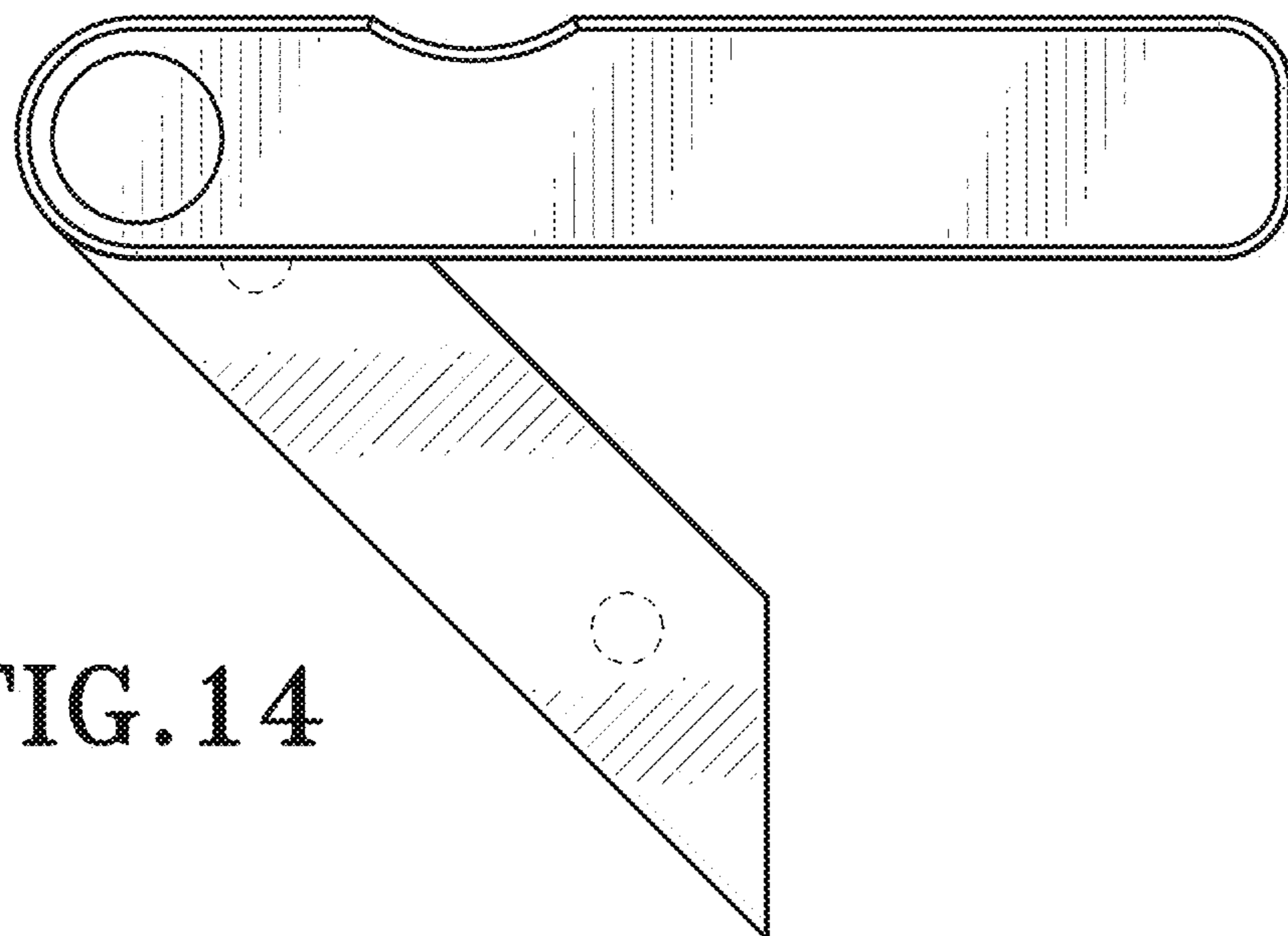


FIG. 14