



US00D869965S

(12) **United States Design Patent**
Taniguchi et al.

(10) **Patent No.:** **US D869,965 S**

(45) **Date of Patent:** **** Dec. 17, 2019**

(54) **INFRARED SENSING DEVICE**

(71) Applicant: **Panasonic Intellectual Property Management Co., Ltd.**, Osaka-shi, Osaka (JP)

(72) Inventors: **Ryo Taniguchi**, Shiga (JP); **Sukoya Tawaratsumida**, Mie (JP); **Takahiro Sono**, Shiga (JP)

(73) Assignee: **Panasonic Intellectual Property Management Co., Ltd.**, Osaka (JP)

(**) Term: **15 Years**

(21) Appl. No.: **29/666,278**

(22) Filed: **Oct. 11, 2018**

(30) **Foreign Application Priority Data**

Apr. 16, 2018 (JP) 2018-008322

(51) **LOC (12) Cl.** **10-04**

(52) **U.S. Cl.**
USPC **D10/46**; D10/49; D10/57; D10/70;
D10/80; D10/103; D10/104; D10/106

(58) **Field of Classification Search**
USPC D10/46, 47, 49–52, 57, 70, 80, 102, 103,
D10/104, 106; 250/338.3, 492.1
CPC G21G 5/00; G01J 5/34; G01J 5/00; G01J
5/02; G01J 5/04; G01V 8/12; G01N
21/35; G01N 21/61; G06F 1/16; G06F
1/26; H01L 31/0203
See application file for complete search history.

(56) **References Cited**

U.S. PATENT DOCUMENTS

D434,686 S * 12/2000 Denman D10/106.1
D623,546 S * 9/2010 Nishikawa D10/106.6

D623,547 S * 9/2010 Nishikawa D10/106.6
D623,548 S * 9/2010 Nishikawa D10/106.6
2001/0020681 A1* 9/2001 Yagyu G01J 5/34
250/338.3
2004/0178344 A1* 9/2004 Taniguchi G01J 5/02
250/338.3
2008/0111087 A1* 5/2008 Nishikawa G01J 1/02
250/492.1
2014/0224967 A1* 8/2014 Masuyama G01J 1/0204
250/214 A
2015/0043613 A1* 2/2015 Tanaka G01J 5/0275
374/121
2015/0170984 A1* 6/2015 Hayashi H01L 23/04
257/252

* cited by examiner

Primary Examiner — Antoine Duval Davis

(74) *Attorney, Agent, or Firm* — Brinks Gilson & Lione

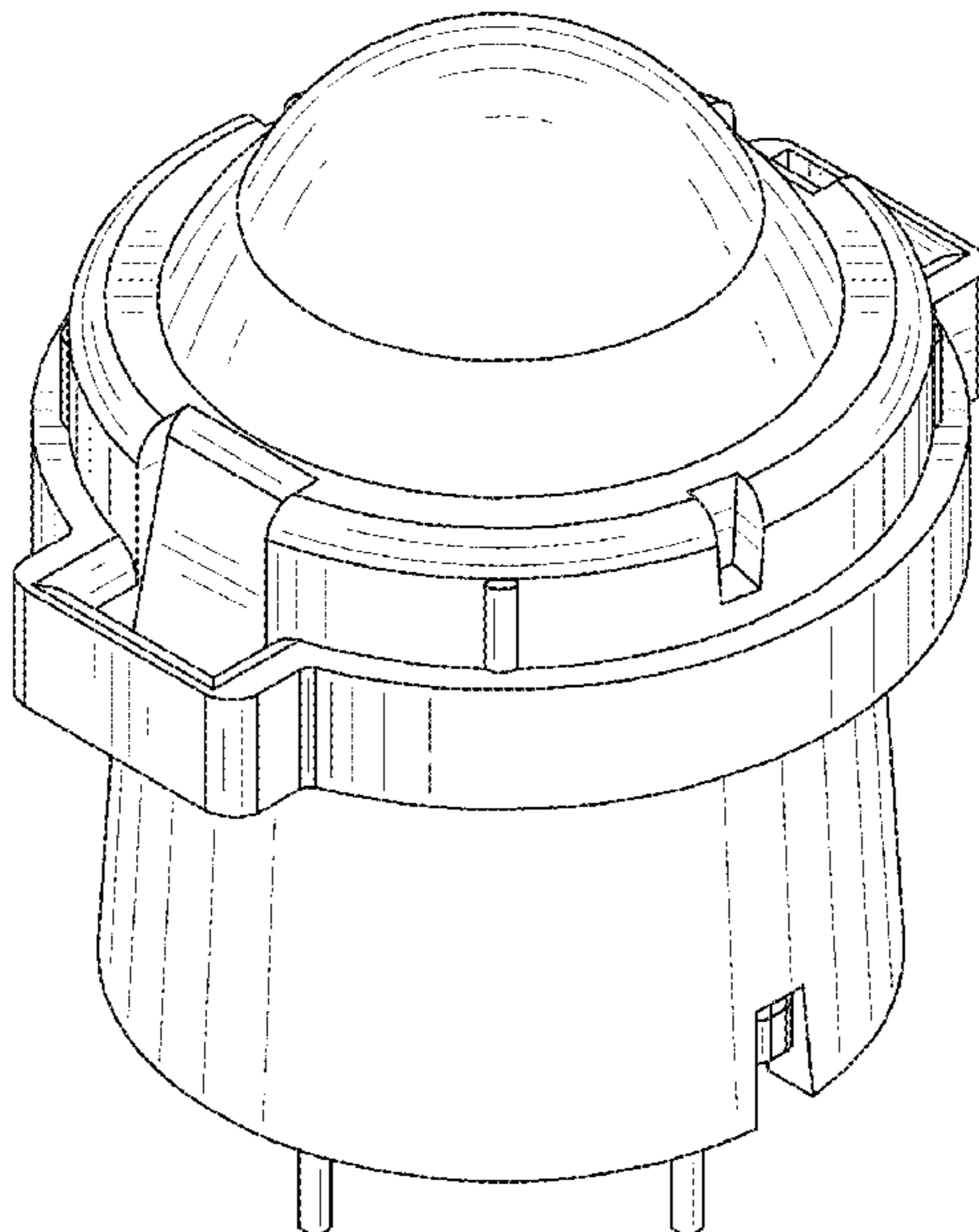
(57) **CLAIM**

The ornamental design for an infrared sensing device, as shown and described.

DESCRIPTION

FIG. 1 is a perspective view of an infrared sensing device of the present invention;
FIG. 2 is a top view thereof;
FIG. 3 is a bottom view thereof;
FIG. 4 is a front view thereof;
FIG. 5 is a rear view thereof;
FIG. 6 is a left side view thereof;
FIG. 7 is a right side view thereof; and,
FIG. 8 is a cross-sectional view thereof taken along lines 8-8 of FIG. 2.

1 Claim, 8 Drawing Sheets



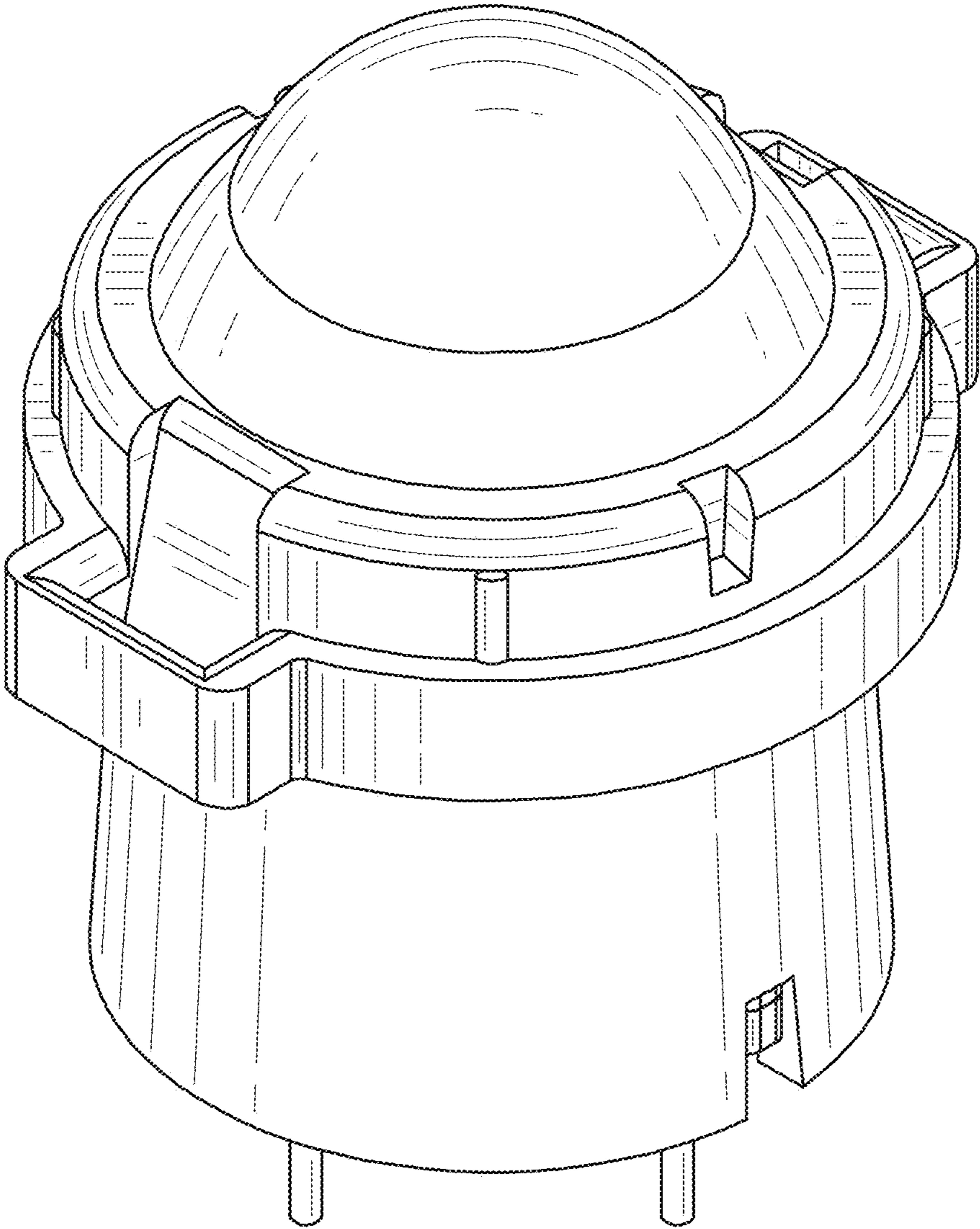


FIG. 1

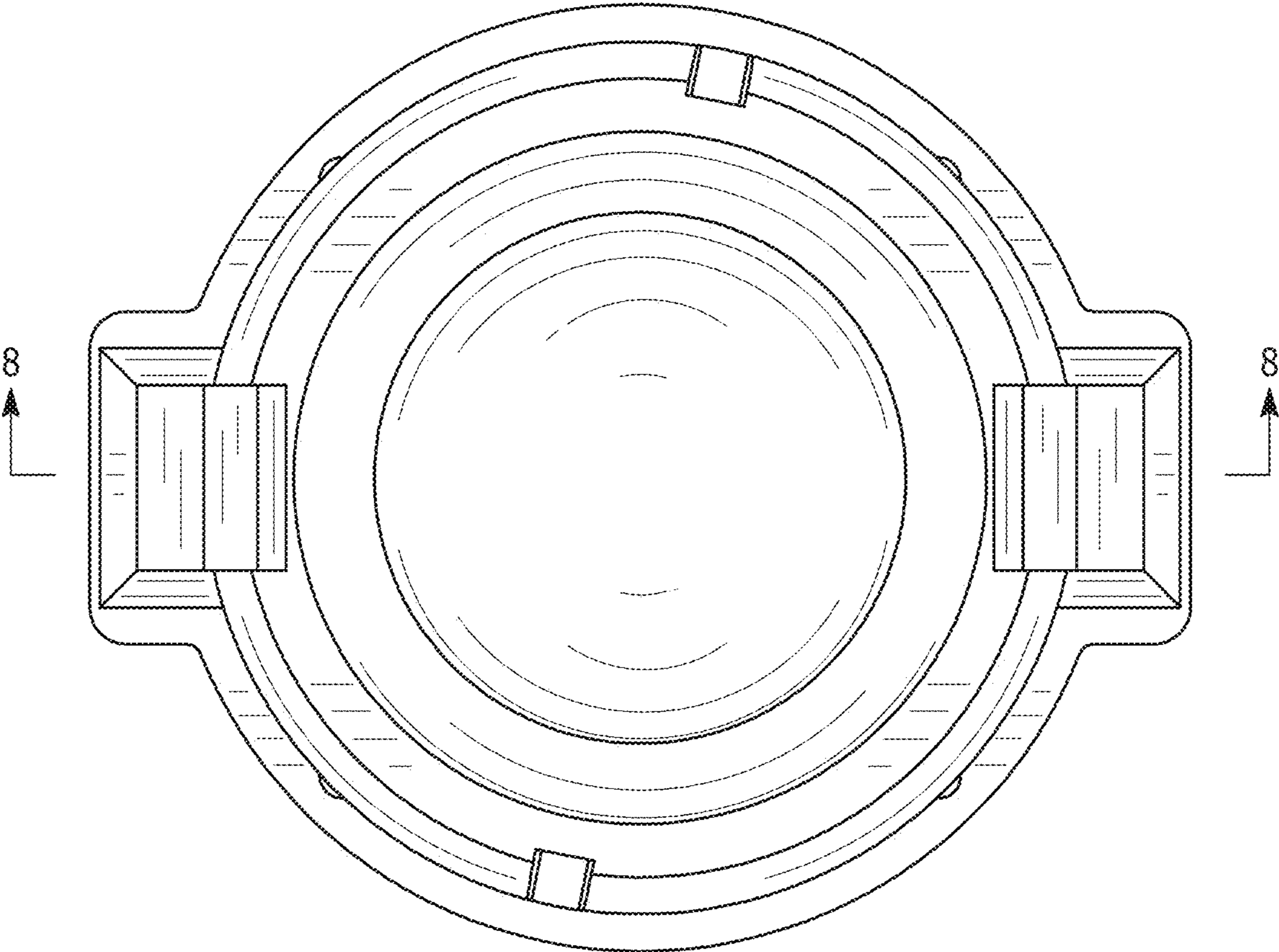


FIG. 2

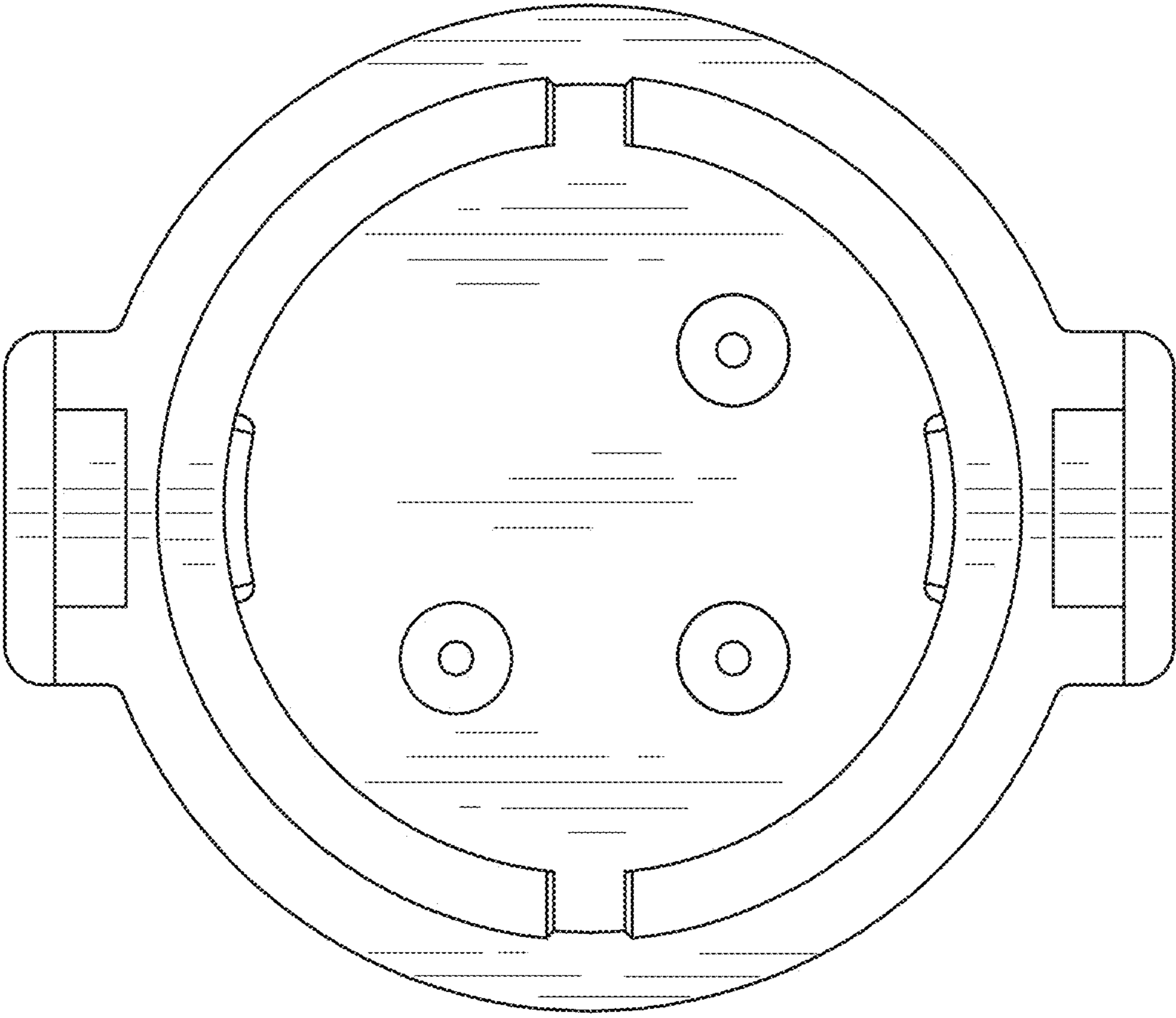


FIG. 3

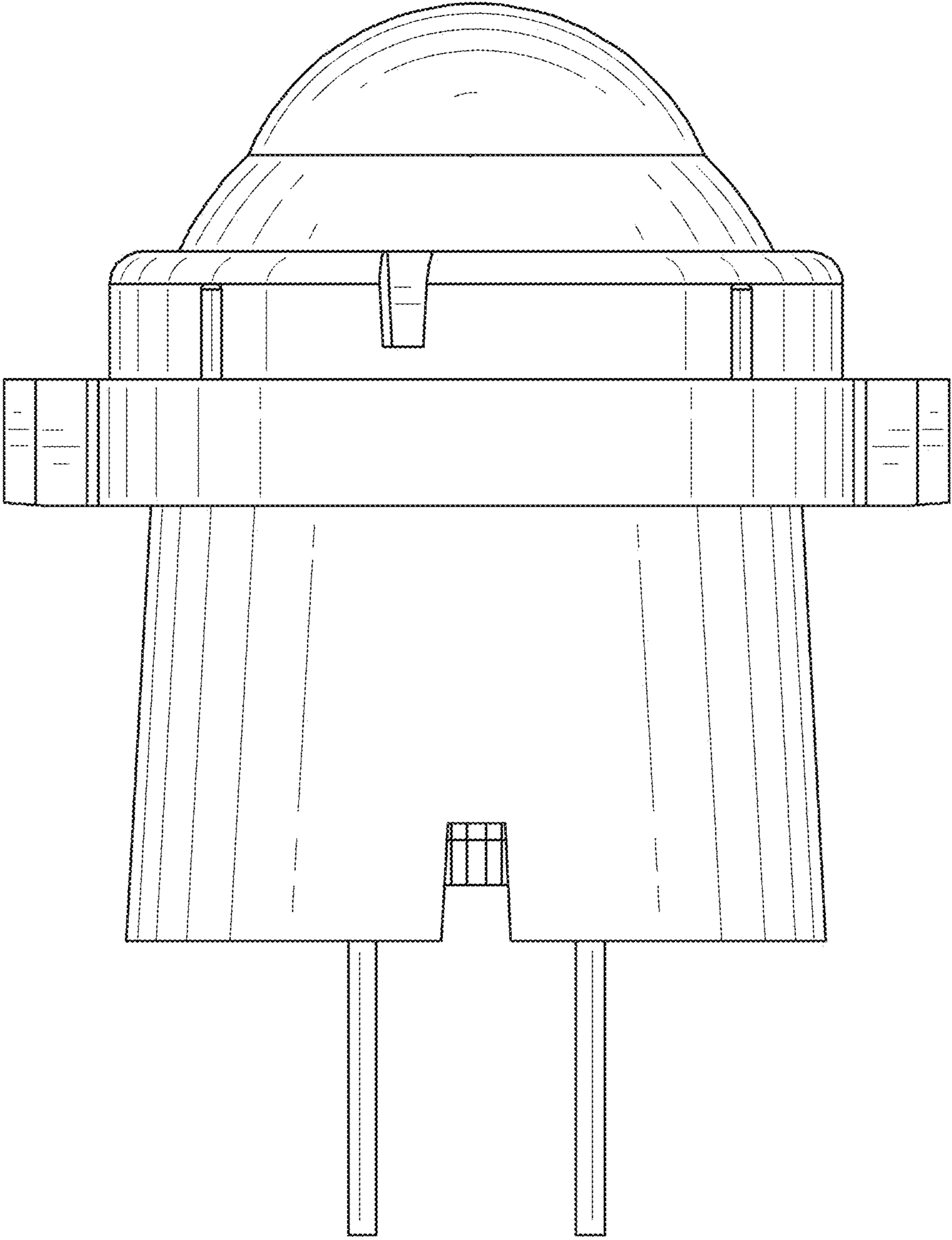


FIG. 4

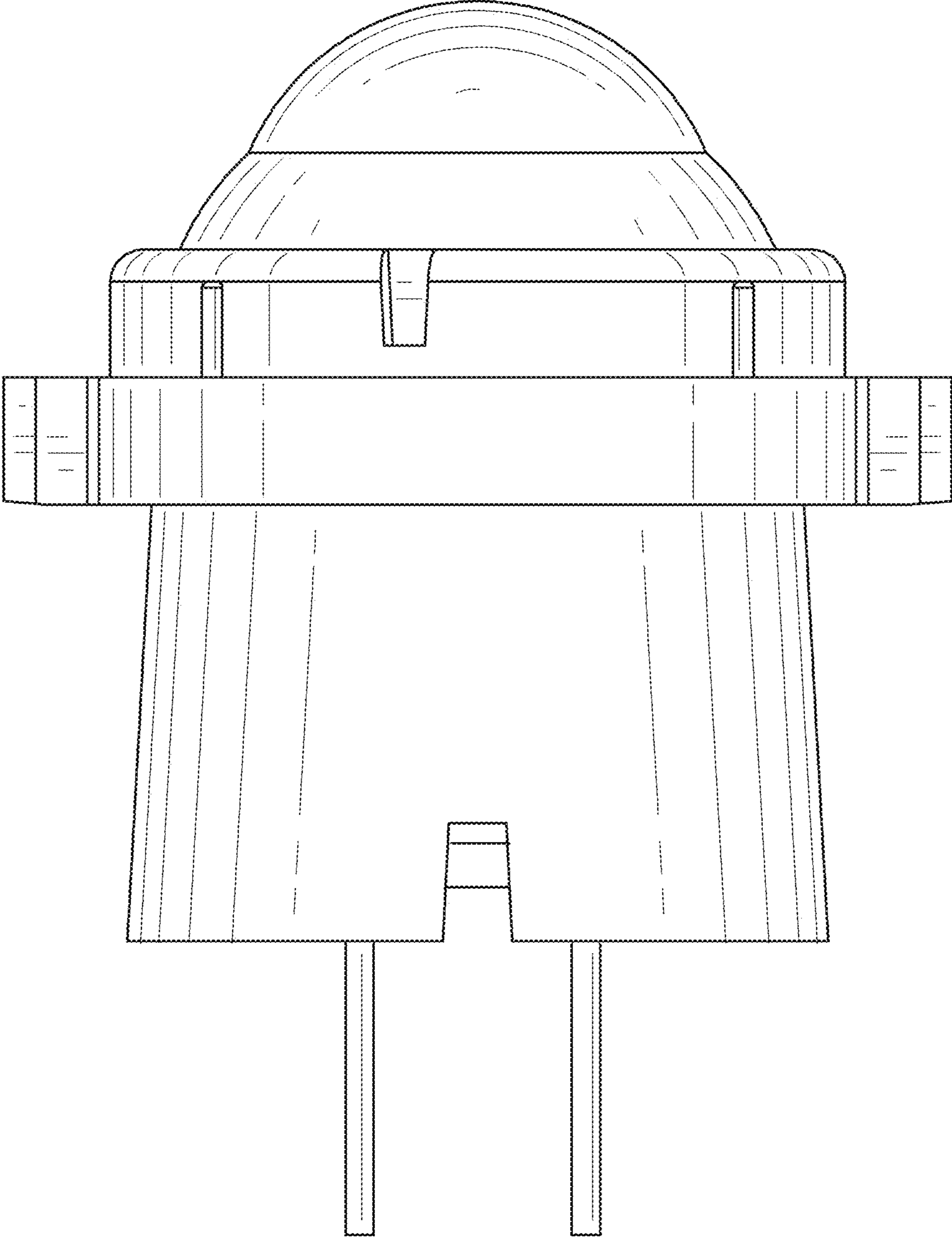


FIG. 5

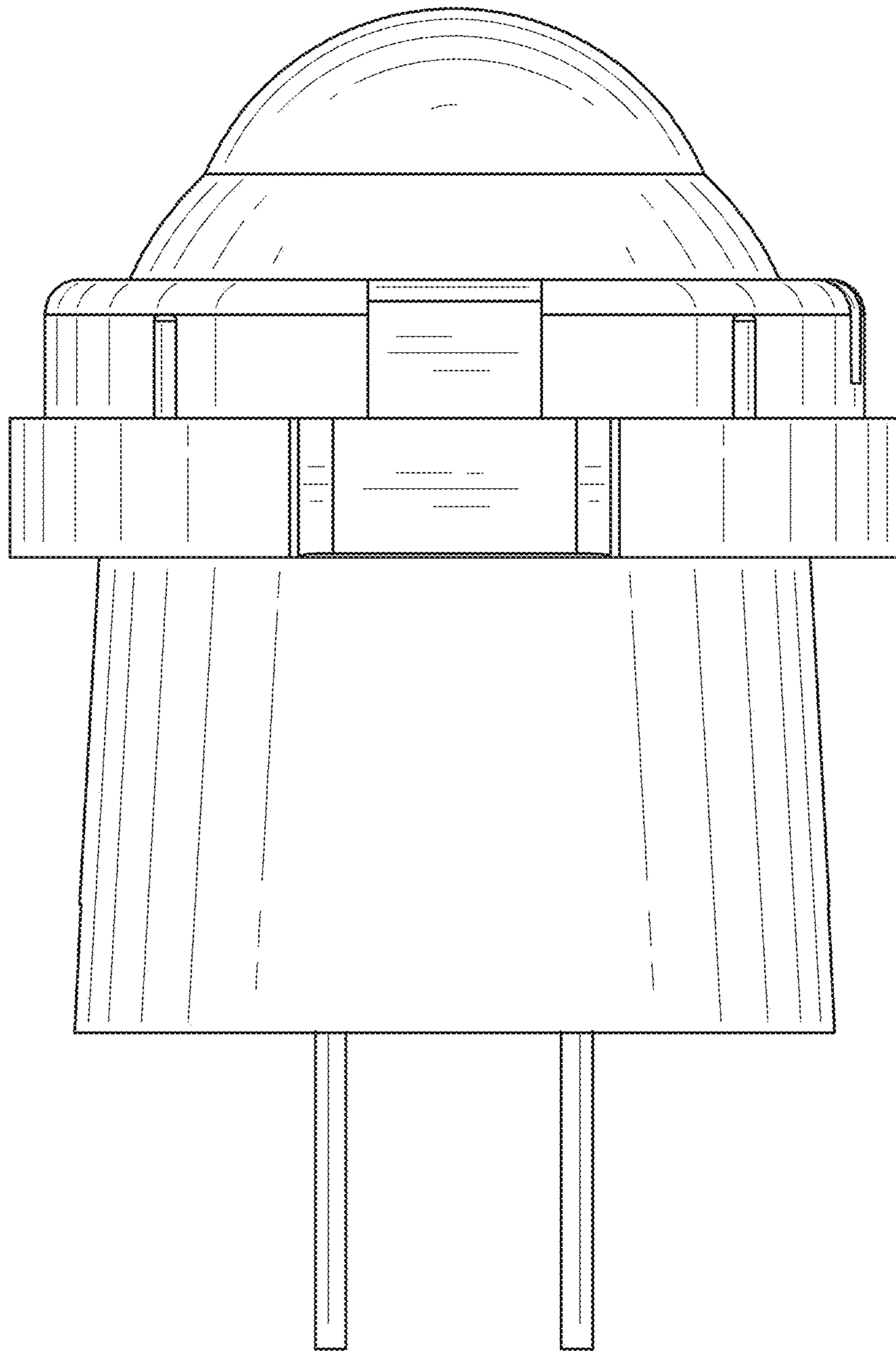


FIG. 6

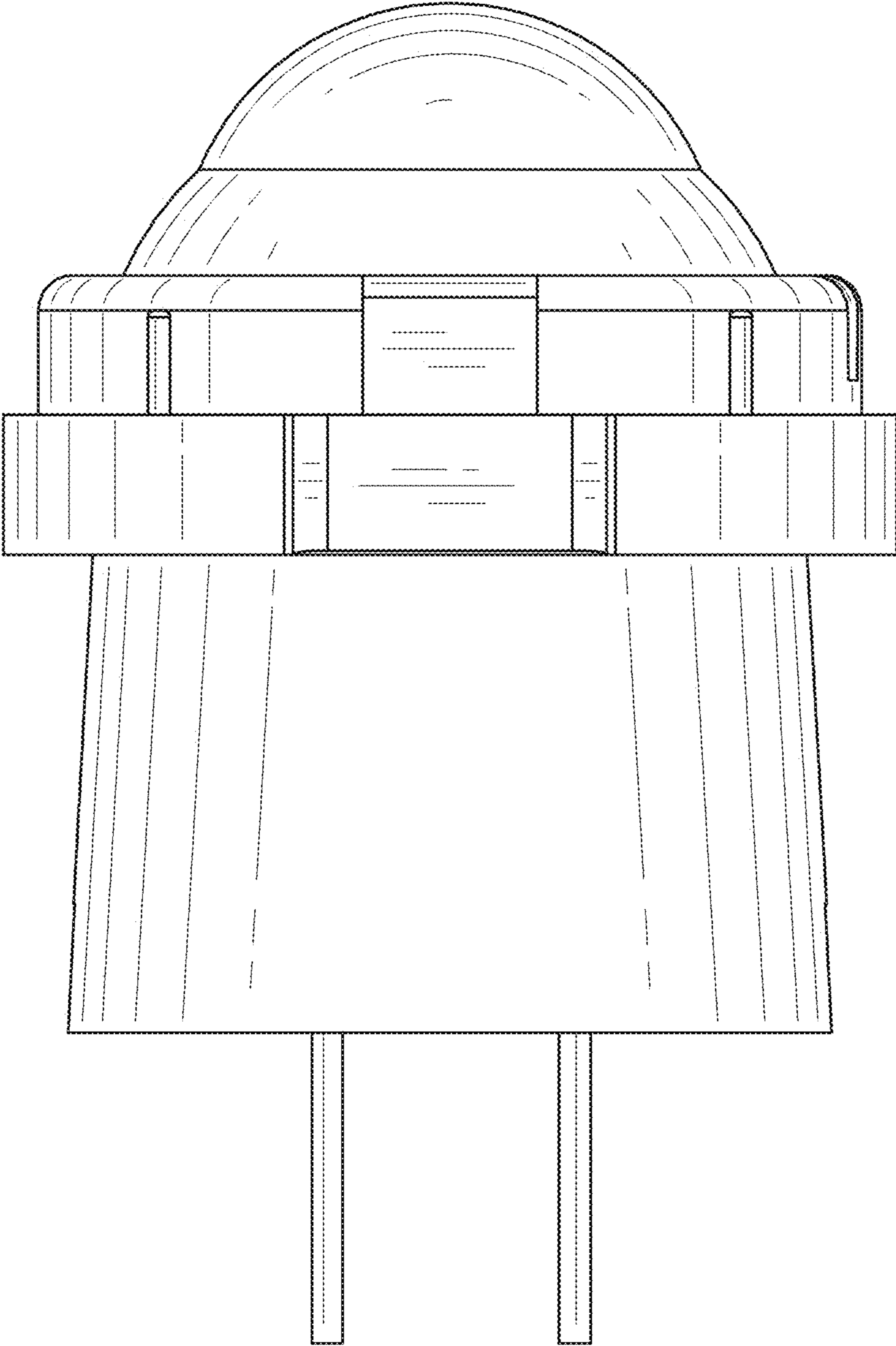


FIG. 7

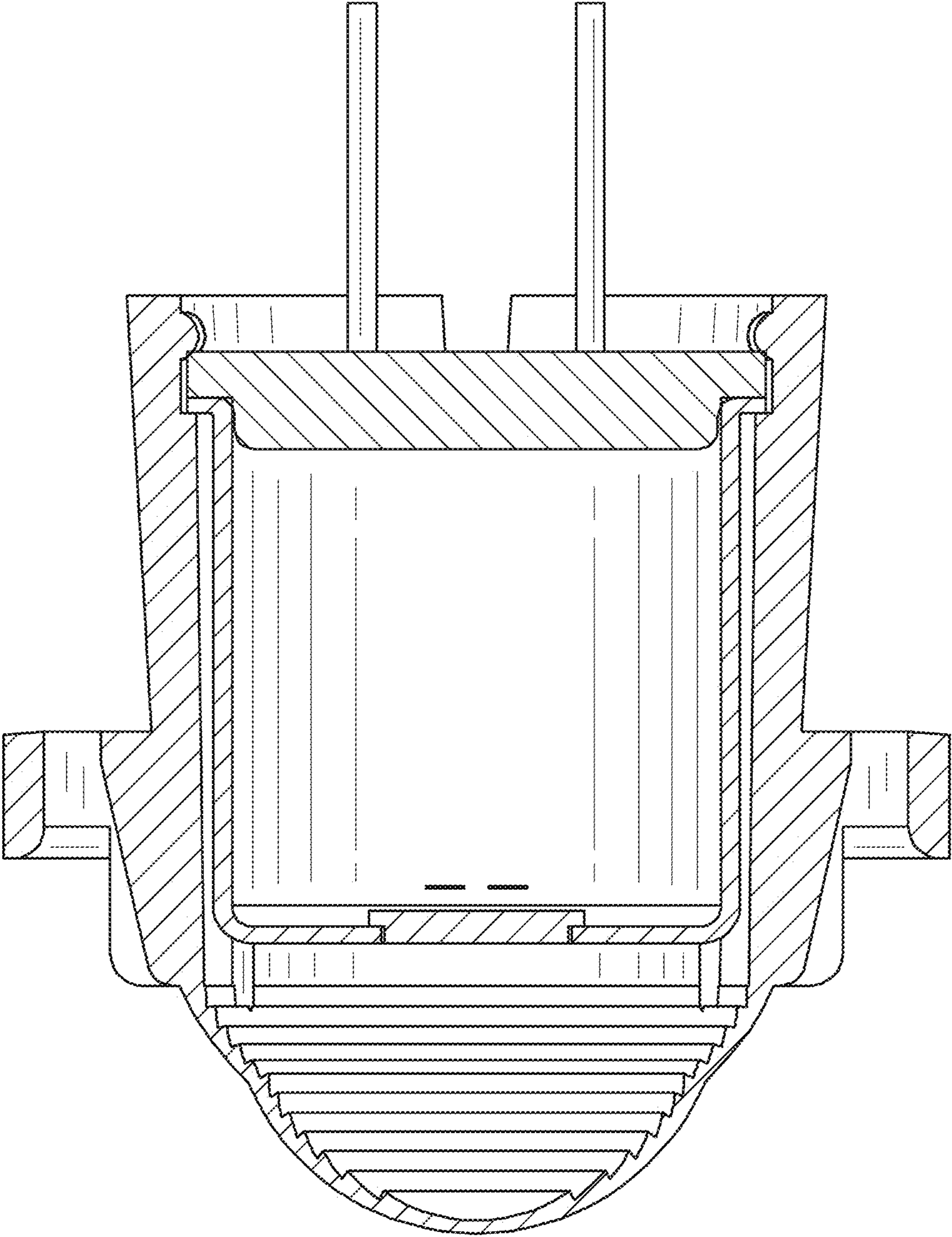


FIG. 8