

US00D869964S

(12) **United States Design Patent** (10) **Patent No.:** **US D869,964 S**
Stern (45) **Date of Patent:** **** Dec. 17, 2019**

(54) **WATCH CASE**
(71) Applicant: **PATEK PHILIPPE SA GENEVE,**
Geneva (CH)
(72) Inventor: **Thierry Stern,** Geneva (CH)
(73) Assignee: **PATEK PHILIPPE SA GENEVE,**
Genève (CH)
(**) Term: **15 Years**
(21) Appl. No.: **35/505,642**
(22) Filed: **Mar. 14, 2018**
(80) **Hague Agreement Data**
Int. Filing Date: **Mar. 14, 2018**
Int. Reg. No.: **DM/100714**
Int. Reg. Date: **Mar. 14, 2018**
Int. Reg. Pub. Date: **Sep. 14, 2018**
(51) **LOC (12) Cl.** **10-02**
(52) **U.S. Cl.**
USPC **D10/39**
CPC **G04B 17/00** (2013.01)
(58) **Field of Classification Search**
USPC D10/30-39, 42, 122-124, 126, 128;
D11/3; D14/344; D99/28, 99; D24/167,
D24/186
CPC G04B 17/00; G04B 17/02; G04B 17/005;
G04B 17/285; G04B 37/00; G04B
37/0058; G04B 45/00; G04B 45/02;
G04B 45/0038; G04B 45/0069; G04B
45/0076; G04B 29/00; G04B 19/268
See application file for complete search history.

(56) **References Cited**
U.S. PATENT DOCUMENTS
D445,343 S * 7/2001 Schneider D10/30
D562,704 S * 2/2008 Lalo D10/32
D563,802 S * 3/2008 Loth D10/39

D565,431 S * 4/2008 Hatt D10/38
D565,987 S * 4/2008 Krieger D10/126
D566,581 S * 4/2008 Giannini D10/32
D568,178 S * 5/2008 Giannini D10/32
D571,230 S * 6/2008 Krieger D10/39
D574,733 S * 8/2008 Blair D10/32
D582,792 S * 12/2008 Lalo D10/38
D586,668 S * 2/2009 Dias D10/38
D589,378 S * 3/2009 Takahashi D10/32
D605,533 S * 12/2009 Schoepfer D10/38
D609,583 S * 2/2010 Lalo D10/32
D609,584 S * 2/2010 Lalo D10/32
D609,587 S * 2/2010 Lalo D10/38
D666,924 S * 9/2012 Ahlstrom D10/32
D666,925 S * 9/2012 Ahlstrom D10/32
D672,664 S * 12/2012 Monachon D10/32
D682,713 S * 5/2013 Vaptzarof D10/39
D720,240 S * 12/2014 Takahashi D10/39
D731,327 S * 6/2015 Schoepfer D10/39
D732,981 S * 6/2015 Waecker D10/38
D740,695 S * 10/2015 Waecker D10/38
D784,829 S * 4/2017 Kita D10/38
D793,871 S * 8/2017 Lasserre D10/30
D817,194 S * 5/2018 Monachon D10/39
D828,185 S * 9/2018 Savolainen D10/38
D836,008 S * 12/2018 Schoepfer D10/39

(Continued)

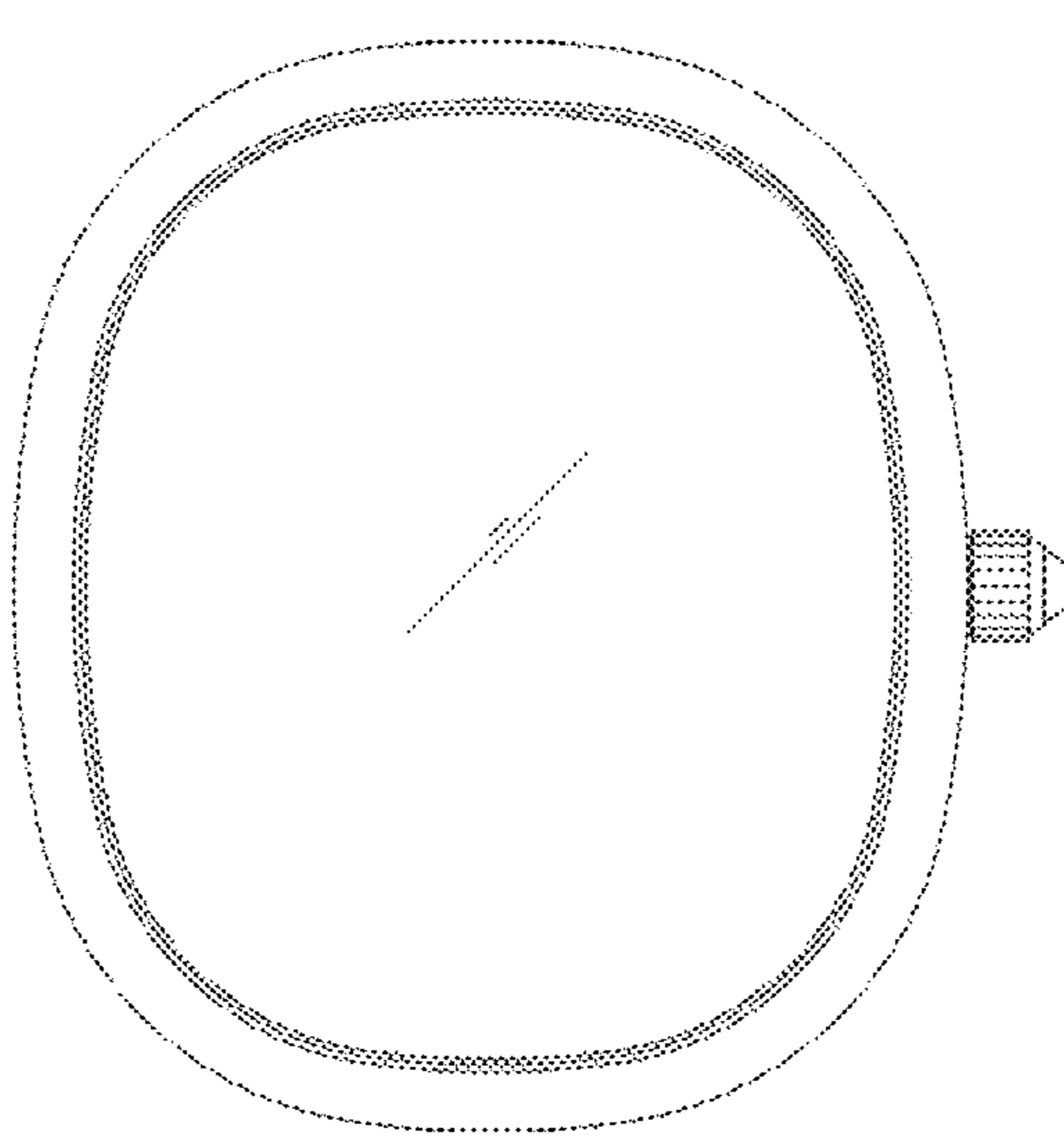
Primary Examiner — Richard E Chilcot
(74) *Attorney, Agent, or Firm* — Young & Thompson

(57) **CLAIM**
The ornamental design for a watch case, as shown and described.

DESCRIPTION

1.1 is a front elevation view of a watch case showing the new design;
1.2 is a rear elevation view thereof;
1.3 is a bottom plan view thereof;
1.4 is a top plan view thereof;
1.5 is a left side elevation view thereof;
1.6 is a right side elevation view thereof; and
1.7 is a top, bottom, and left side perspective view thereof.

1 Claim, 7 Drawing Sheets



(56)

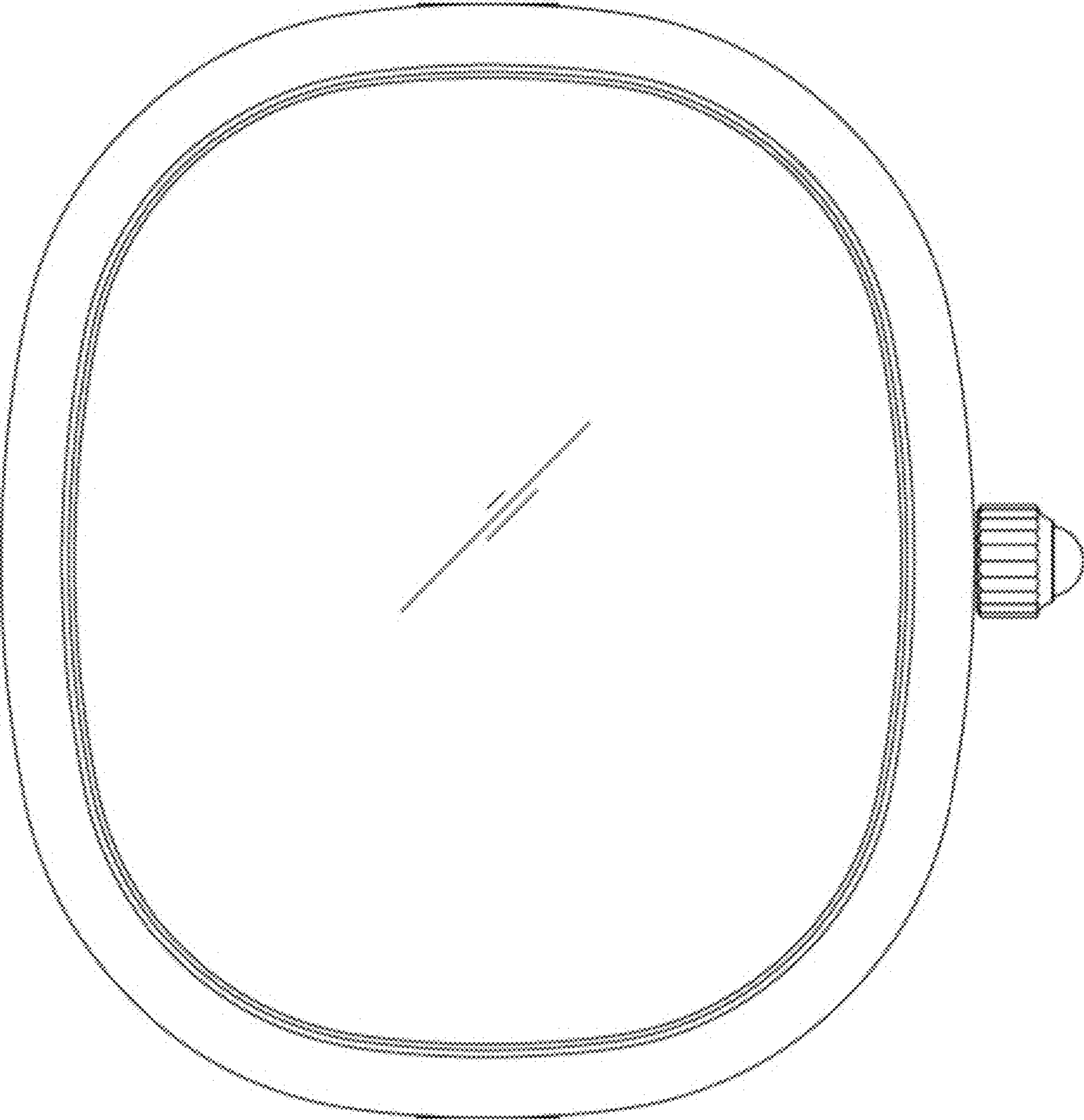
References Cited

U.S. PATENT DOCUMENTS

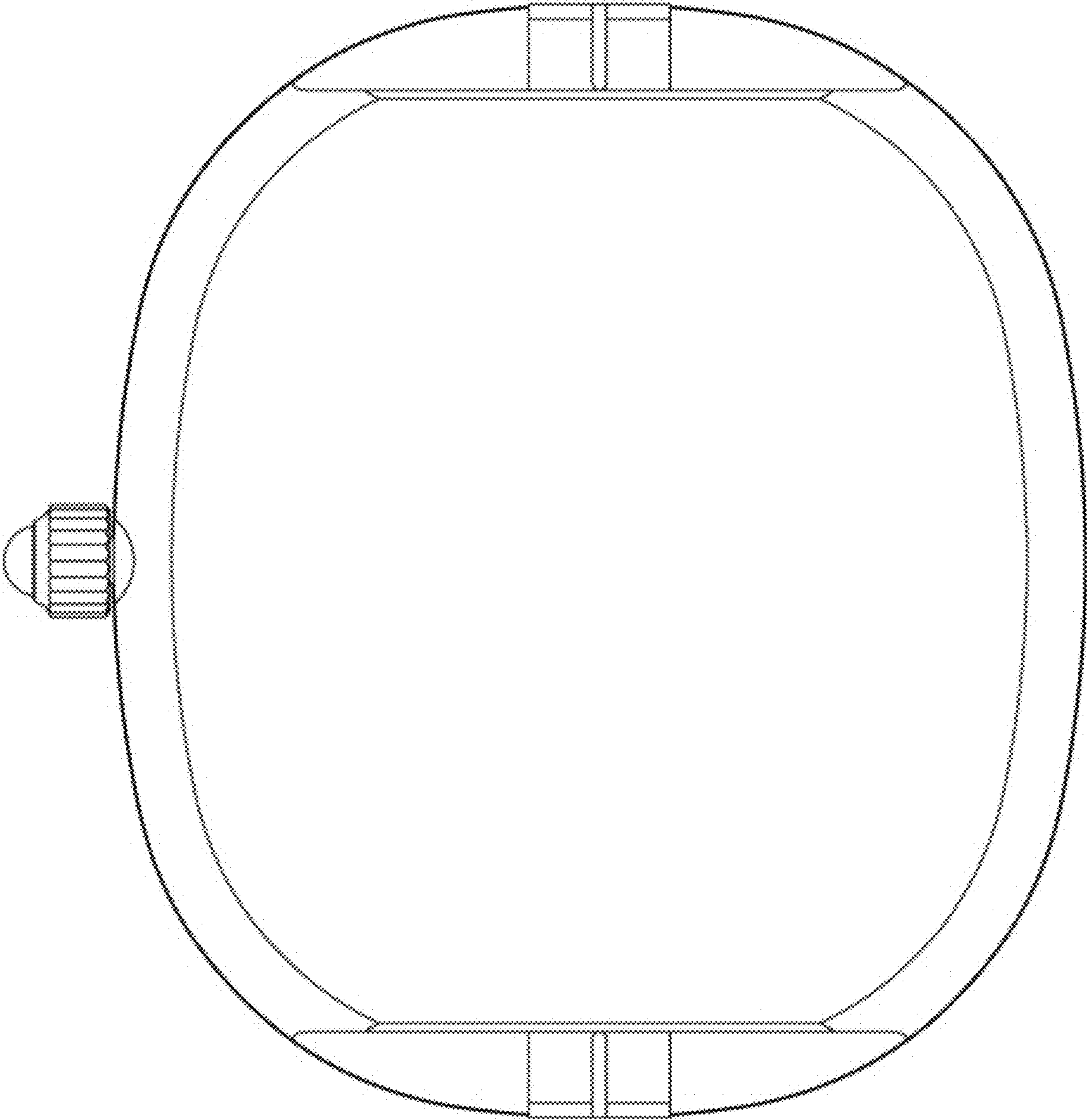
D848,865 S *	5/2019	Behling	D10/32
D850,292 S *	6/2019	Dicks	D10/30
D850,295 S *	6/2019	Behling	D10/39
D850,936 S *	6/2019	Behling	D10/32

* cited by examiner

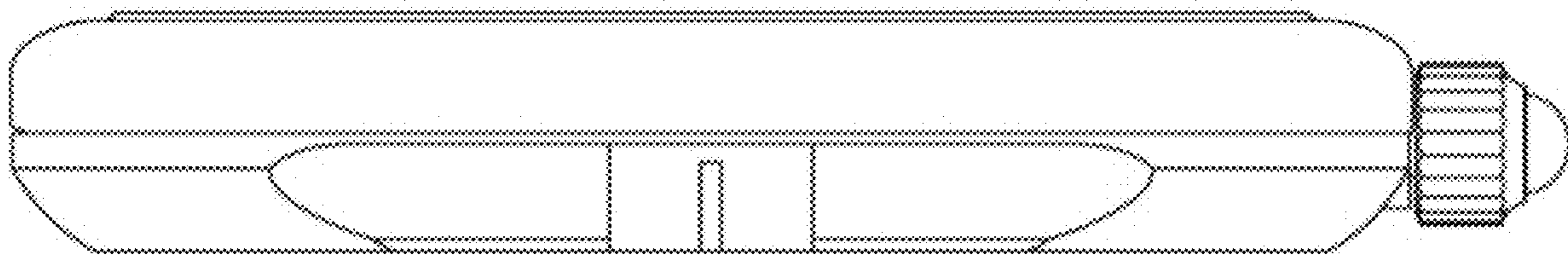
1.1



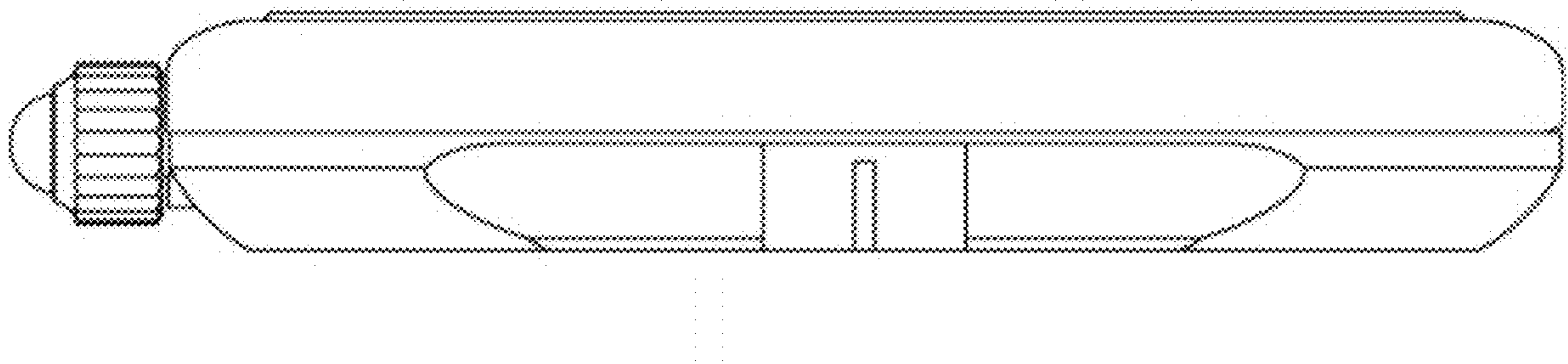
1.2



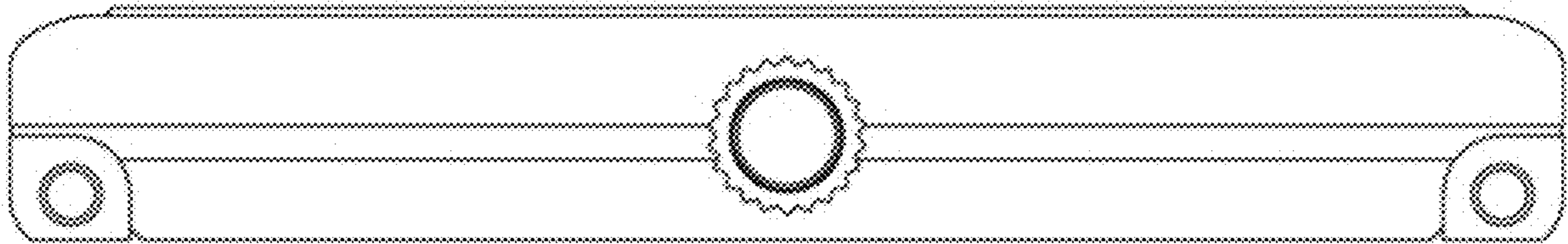
1.3



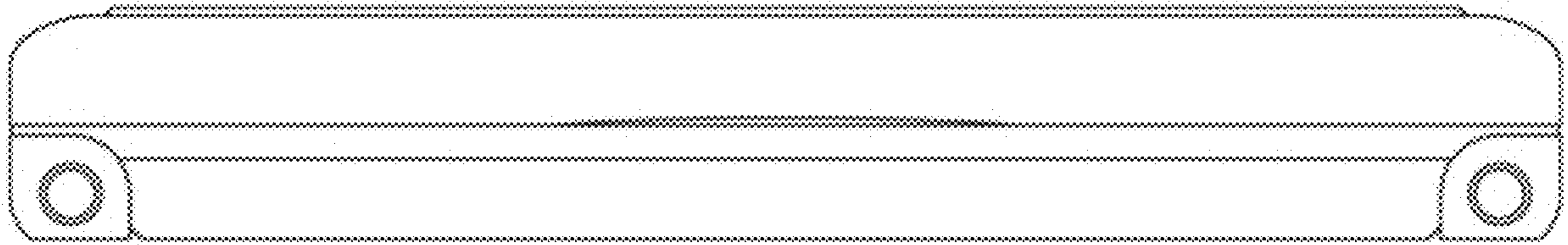
1.4



1.5



1.6



1.7

