



US00D869962S

(12) **United States Design Patent**
Gurtner

(10) **Patent No.:** **US D869,962 S**

(45) **Date of Patent:** **** Dec. 17, 2019**

(54) **WATCH**

(71) Applicant: **Richemont International SA,**
Villars-sur-Glane (CH)

(72) Inventor: **Julien Gurtner,** Schaffhausen (CH)

(73) Assignee: **Richemont International SA,**
Villars-sur-Glane (CH)

(**) Term: **15 Years**

(21) Appl. No.: **29/623,452**

(22) Filed: **Oct. 25, 2017**

(51) **LOC (12) Cl.** **10-02**

(52) **U.S. Cl.**
USPC **D10/39**

(58) **Field of Classification Search**
USPC D10/1-2, 10, 30-33, 36-39, 98-99,
D10/122-124, 126-128, 132; D11/3;
D14/344; D24/167, 186
CPC G04C 19/00; G04C 19/02; G04B 19/00;
G04B 19/025; G04B 19/08; G04B
19/048; G04B 19/04; G04B 19/046;
G04B 19/06; G04B 19/065; G04B
19/082; G04B 19/085; G04B 19/087;
G04B 19/10; G04B 19/103; G04B
19/106; G04B 47/042; G04B 19/12;
G04B 19/18; G04B 19/223; G04B 19/23;
G04B 19/24; G04B 19/241; G04B
19/243; G04D 3/04

See application file for complete search history.

(56) **References Cited**

U.S. PATENT DOCUMENTS

241,988 A * 5/1881 Jerome G04B 19/06
368/232
762,082 A * 6/1904 Nichols G04B 19/12
29/896.32
D178,771 S * 9/1956 Doerwald D10/39

D360,142 S * 7/1995 Polenberg D10/30
D384,897 S * 10/1997 Kennedy D10/30
D397,042 S * 8/1998 Riley D10/30
D460,002 S * 7/2002 Wunderman D10/32
D473,473 S * 4/2003 Wunderman D10/32
D533,090 S * 12/2006 Bajulaz D10/39
D539,688 S * 4/2007 Bolt D10/126
D554,535 S * 11/2007 Journe D10/31
D586,683 S * 2/2009 Pitton D10/126
D746,157 S * 12/2015 Babcock D10/30
D759,511 S * 6/2016 Belamich D10/126

(Continued)

OTHER PUBLICATIONS

Digital Jump Hour Pocket Watch 1890 | posted at the-saleroom.com
2016 © Metropress Ltd [online][site visited Sep. 6, 2018]. Available
from internet: <<https://www.the-saleroom.com/en-gb/auction-catalogues/watchesofknightsbridge/catalogue-id-srwatc10013/lot-flb2ed13-35a0-49cc-bed0-a621009e5d54>> (Year: 1890).*

(Continued)

Primary Examiner — Sandra S Snapp
Assistant Examiner — Katherine Glennon
(74) *Attorney, Agent, or Firm* — Taft Stettinius &
Hollister LLP

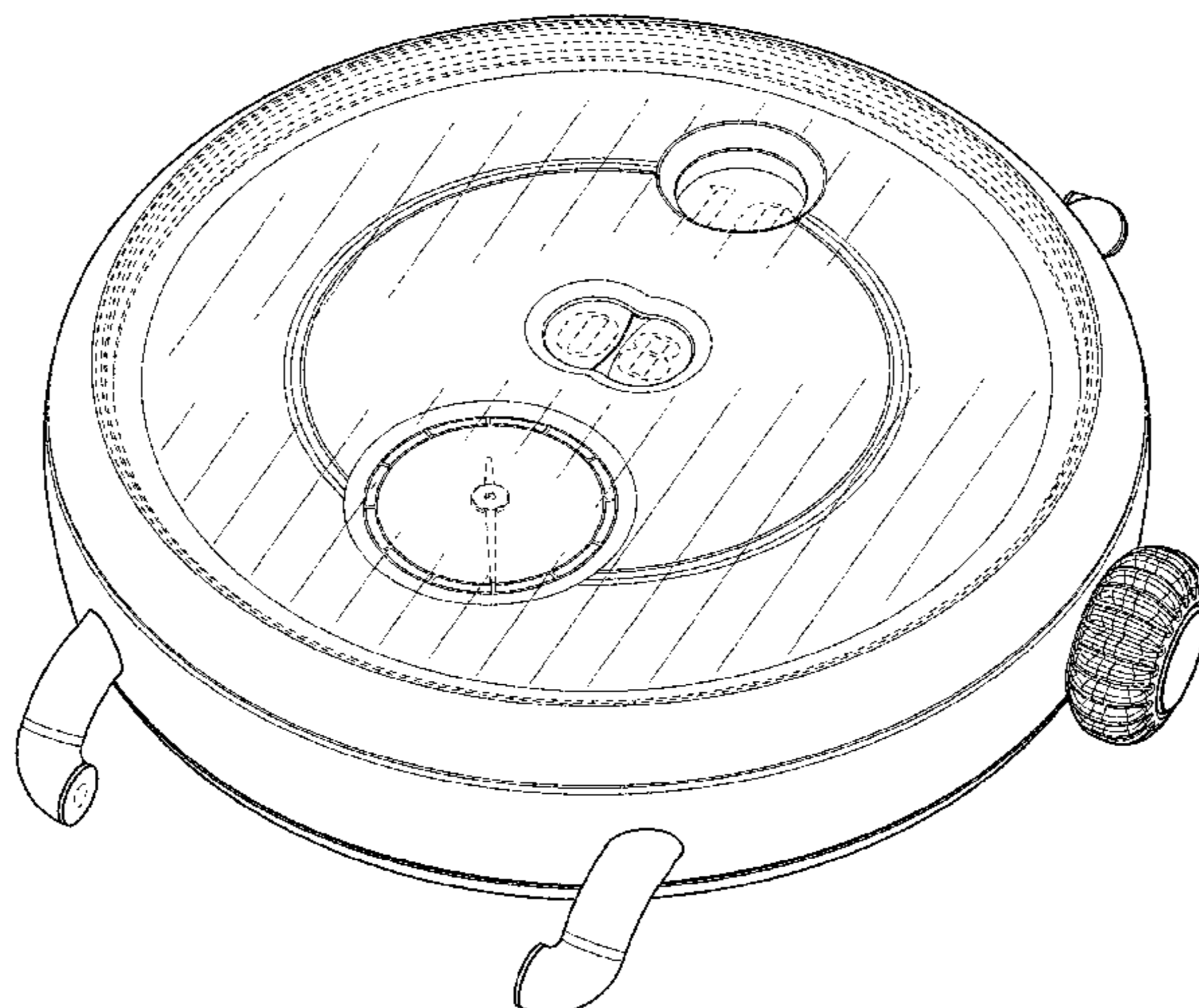
(57) **CLAIM**

The ornamental design for a watch, as shown and described.

DESCRIPTION

FIG. 1 is a front elevational view of a watch showing my
new design;
FIG. 2 is a back elevational view thereof;
FIG. 3 is a right side elevational view thereof;
FIG. 4 is a left side elevational view thereof;
FIG. 5 is a top plan view thereof;
FIG. 6 is a bottom plan view thereof; and,
FIG. 7 is a front, right side perspective view thereof.
The broken lines in the drawing figures depict unclaimed
subject matter that form no part of the claimed design.

1 Claim, 7 Drawing Sheets



(56)

References Cited

U.S. PATENT DOCUMENTS

D759,512 S * 6/2016 Belamich D10/126
D769,146 S * 10/2016 Firth D10/128
9,665,070 B2 * 5/2017 Dordor G04C 17/0058
D807,762 S * 1/2018 Sugiura D10/30
D823,704 S * 7/2018 Dicks D10/126
D823,705 S * 7/2018 Dicks D10/126

OTHER PUBLICATIONS

Bell Ross Vintage Jump Hour Watch | posted at ablogtowatch.com
Nov. 2008 © 2007-2018 aBlogtoWatch [online][site visited Sep. 6,
2018]. Available from internet: <[https://www.ablogtowatch.com/
bell-ross-vintage-jumping-hour-watch-line-does-the-functional-style-
justice/](https://www.ablogtowatch.com/bell-ross-vintage-jumping-hour-watch-line-does-the-functional-style-justice/)> (Year: 2008).*

IWC Tribute to Pallweber | posted at watchesbysjx.com Dec. 2017
SJX © 2011-2018 [online][site visited Sep. 6, 2018]. Available from
internet: <[http://watchesbysjx.com/2017/12/hands-on-with-the-iwc-
tribute-to-pallweber-edition-150-years.html](http://watchesbysjx.com/2017/12/hands-on-with-the-iwc-tribute-to-pallweber-edition-150-years.html)> (Year: 2017).*

* cited by examiner

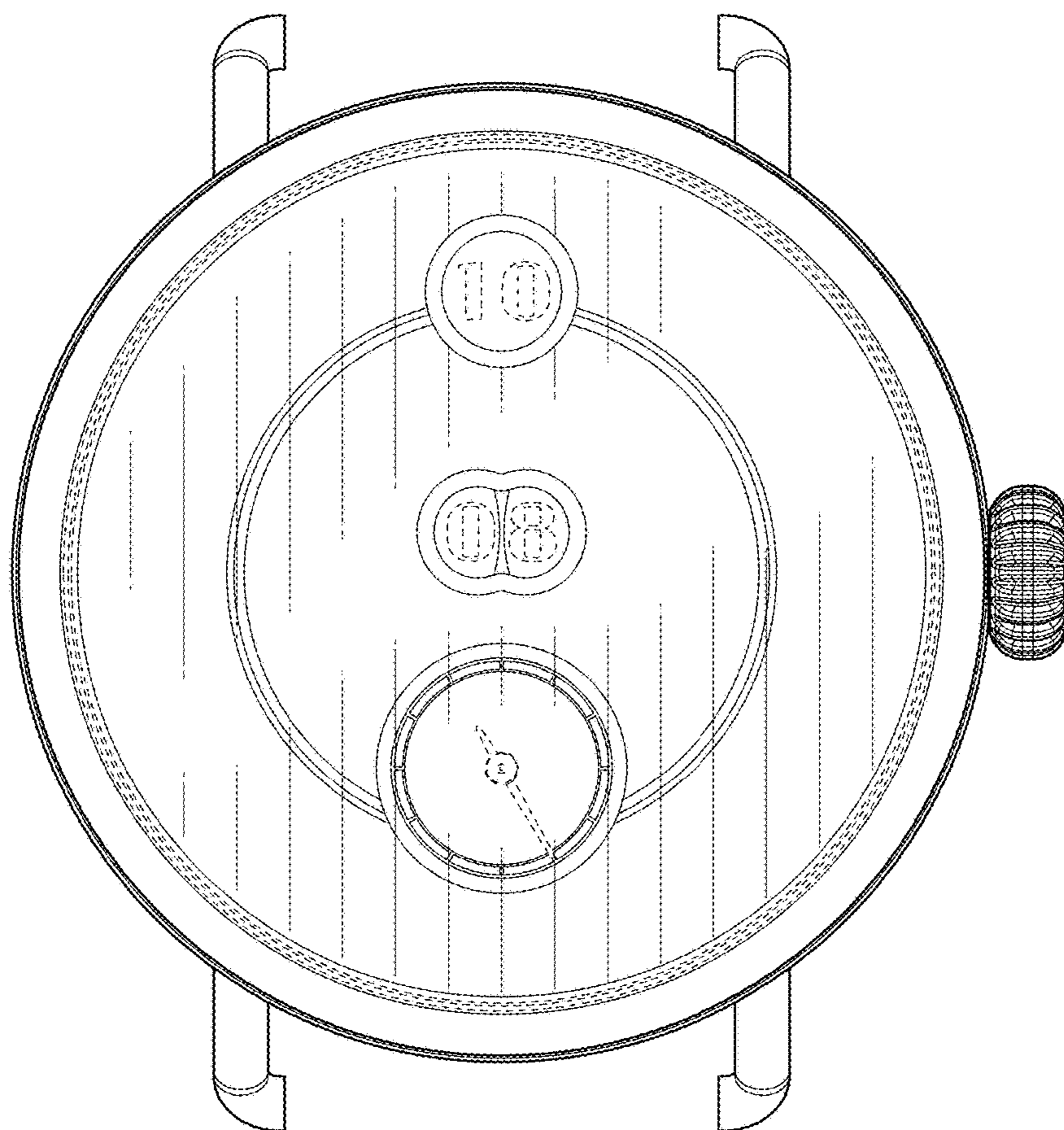


Fig. 1

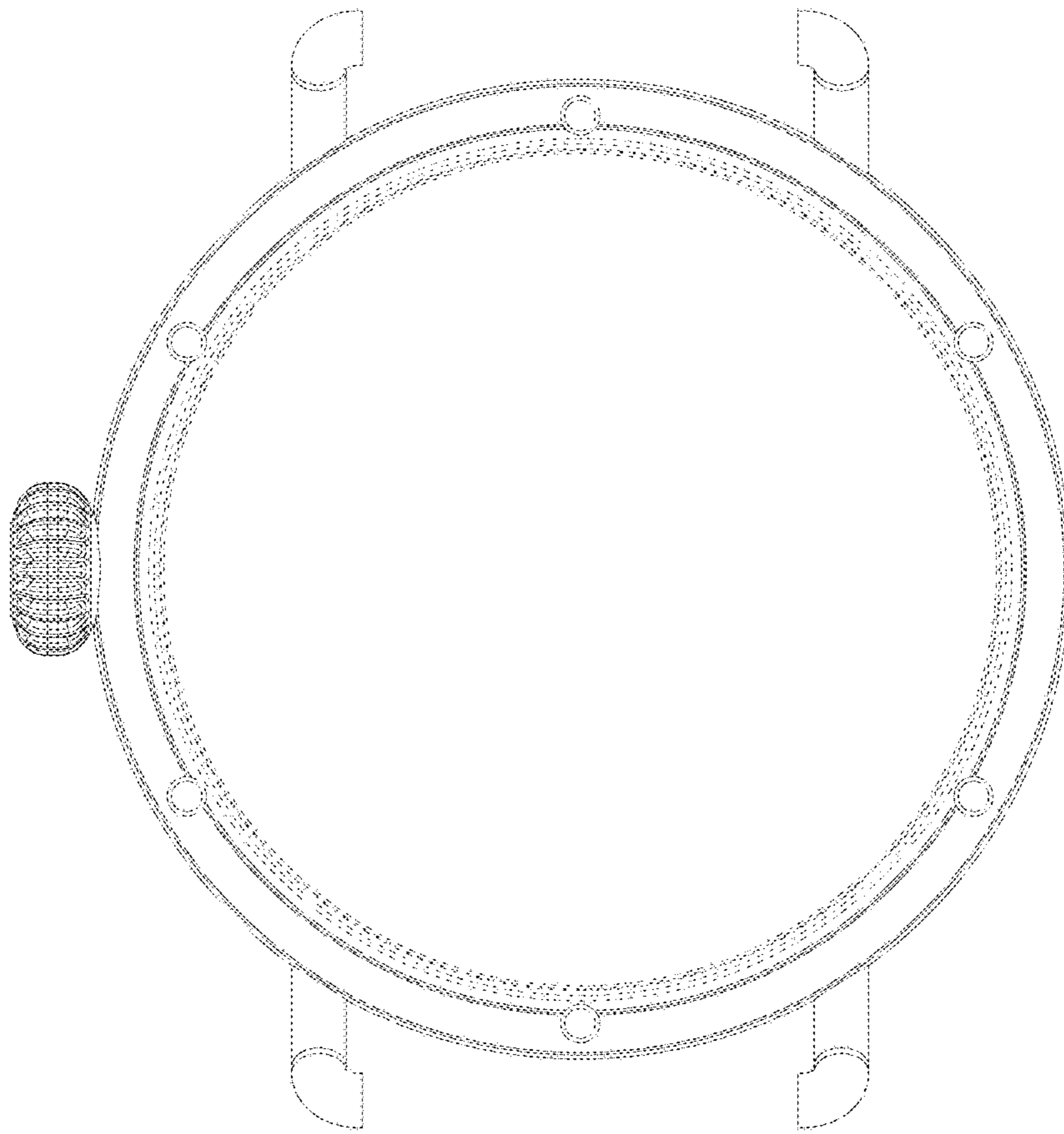


Fig. 2

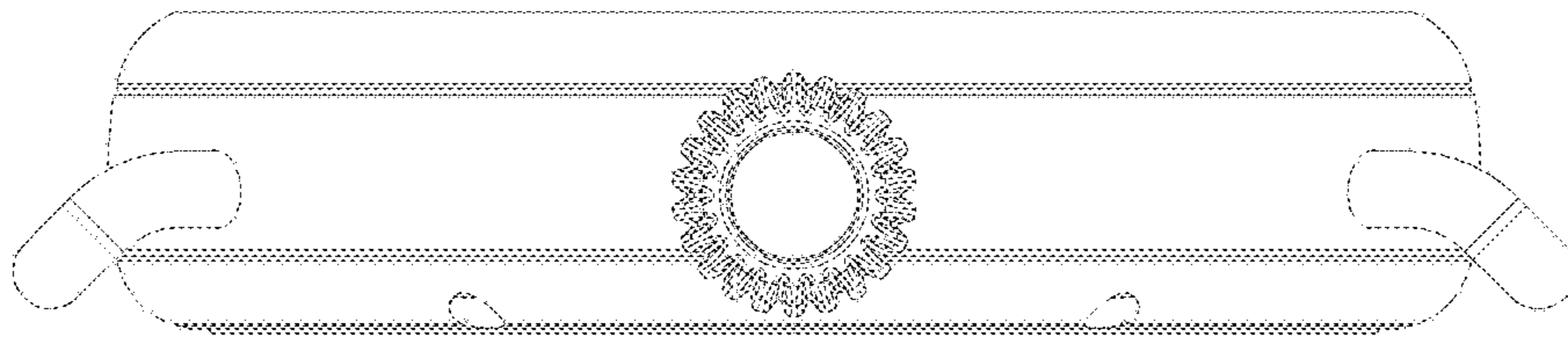


Fig. 3

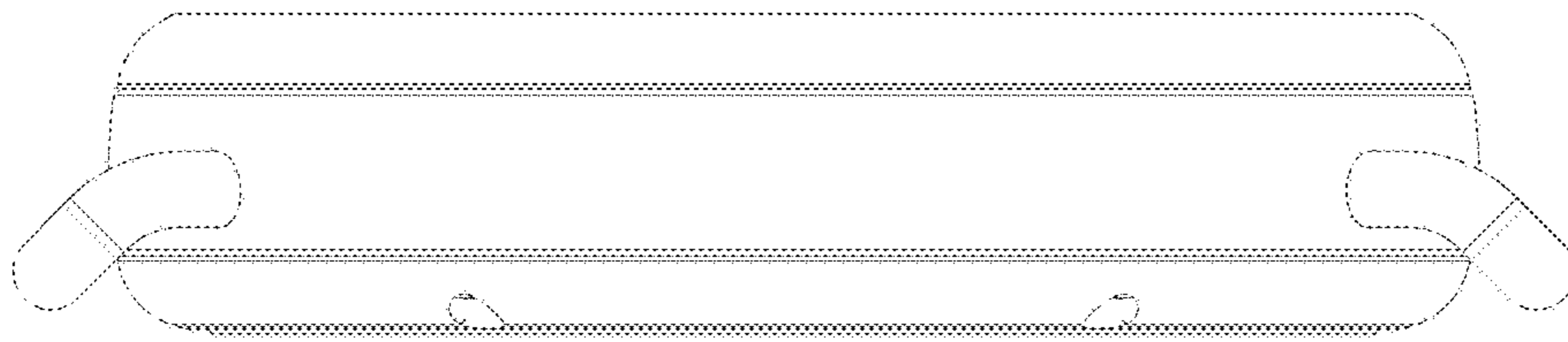


Fig. 4

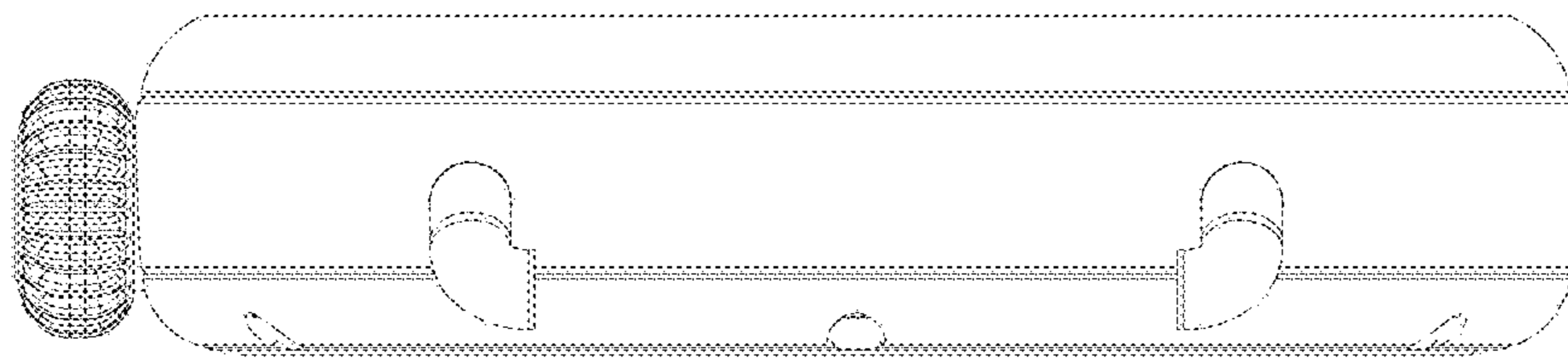


Fig. 5

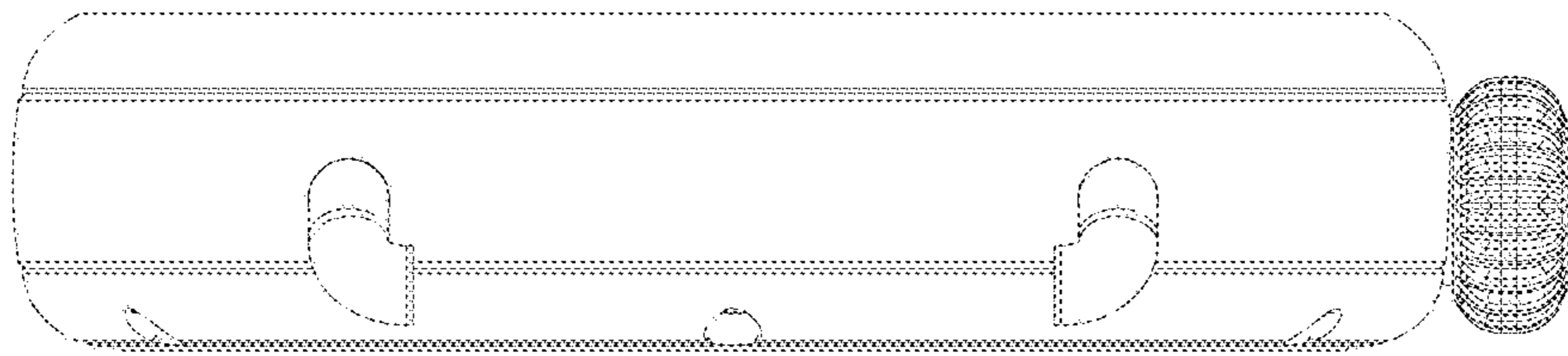


Fig. 6

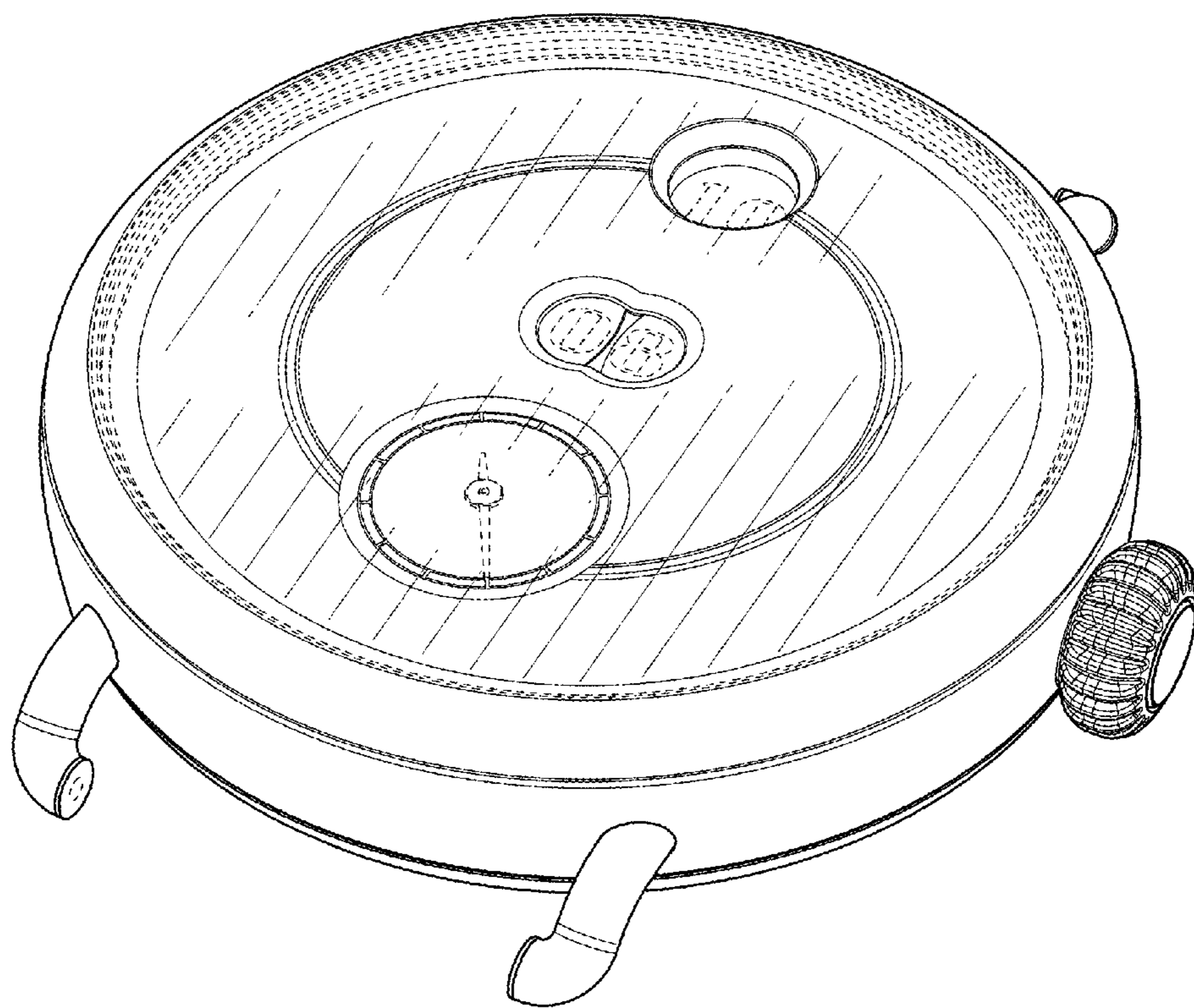


Fig. 7