



US00D869961S

(12) **United States Design Patent**  
**Ehrlich et al.**

(10) **Patent No.:** **US D869,961 S**

(45) **Date of Patent:** **\*\* Dec. 17, 2019**

(54) **CONTAINER ASSEMBLY**

(71) Applicant: **Home Depot Product Authority, LLC**,  
Atlanta, GA (US)

(72) Inventors: **Nathan D. Ehrlich**, Duluth, GA (US);  
**Sarah Moffat**, Atlanta, GA (US)

(73) Assignee: **Home Depot Product Authority, LLC**,  
Atlanta, GA (US)

(\*\*) Term: **15 Years**

(21) Appl. No.: **29/624,651**

(22) Filed: **Nov. 2, 2017**

**Related U.S. Application Data**

(62) Division of application No. 29/548,974, filed on Dec. 17, 2015, now Pat. No. Des. 814,317.

(51) **LOC (12) Cl.** ..... **09-01**

(52) **U.S. Cl.**

USPC ..... **D9/779**; D9/418; D9/501

(58) **Field of Classification Search**

USPC ..... D4/116; D6/515-516, 542-545;  
D7/300-322, 391-396.2, 509-511, 523,  
D7/589, 598, 612, 615, 619.1; D9/435,  
D9/436, 439, 440, 443, 447, 454, 500,  
D9/503-505, 516-575, 763-783;  
D24/197; D28/7, 57, 73, 76-91.1;  
215/40-55, 316-354, 370-385;  
220/574-575

CPC ..... B65D 1/00; B65D 1/02; B65D 1/0223;  
B65D 1/023; B65D 1/0276

See application file for complete search history.

(56) **References Cited**

**U.S. PATENT DOCUMENTS**

D1,995 S \* 11/1864 Robinson et al. .... D9/532  
D5,808 S 4/1872 Everett

183,175 A 10/1876 Kelly  
232,095 A 9/1880 Whiting  
D15,847 S \* 2/1885 Field ..... D9/532  
803,858 A 11/1905 Schnabel  
930,445 A \* 8/1909 Weaver ..... B65D 25/32  
220/764  
1,046,790 A 12/1912 Hutchison et al.  
1,161,012 A 11/1915 Summers, Jr.  
D52,562 S 10/1918 Dickmeyer

(Continued)

**OTHER PUBLICATIONS**

Painttalk.com, Sherwin Williams Cookie Jar Paint Can, [on line] Nov. 13, 2011, retrieved Mar. 17, 2016. Retrieved from the Internet: URL:<<http://www.painttalk.com/f2/sherwin-williams-duration-cookie-jar-paint-can-16413/>>.

(Continued)

*Primary Examiner* — Cathron C Brooks

*Assistant Examiner* — Christian P. McLean

(74) *Attorney, Agent, or Firm* — Greenberg Traurig, LLP

(57)

**CLAIM**

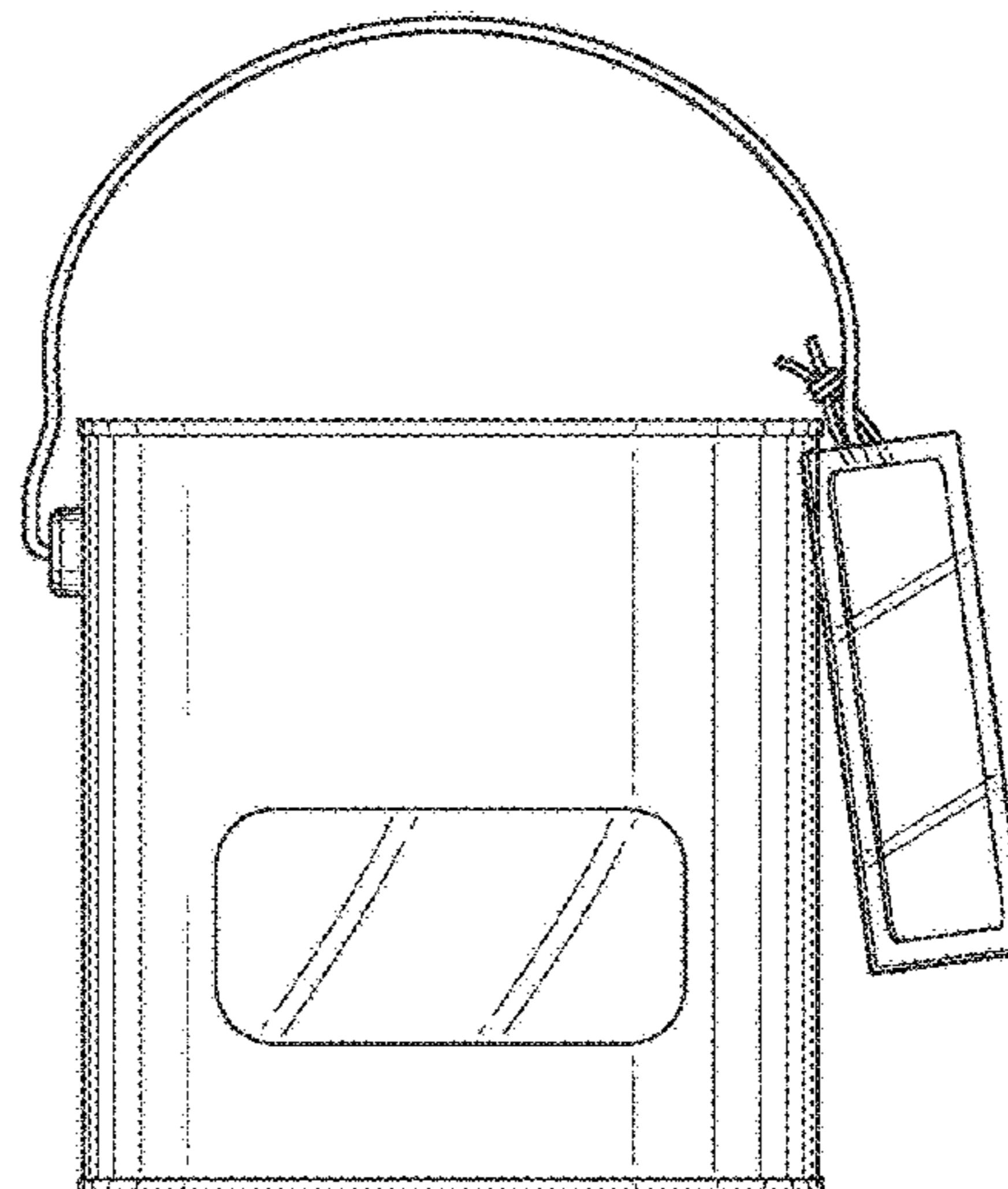
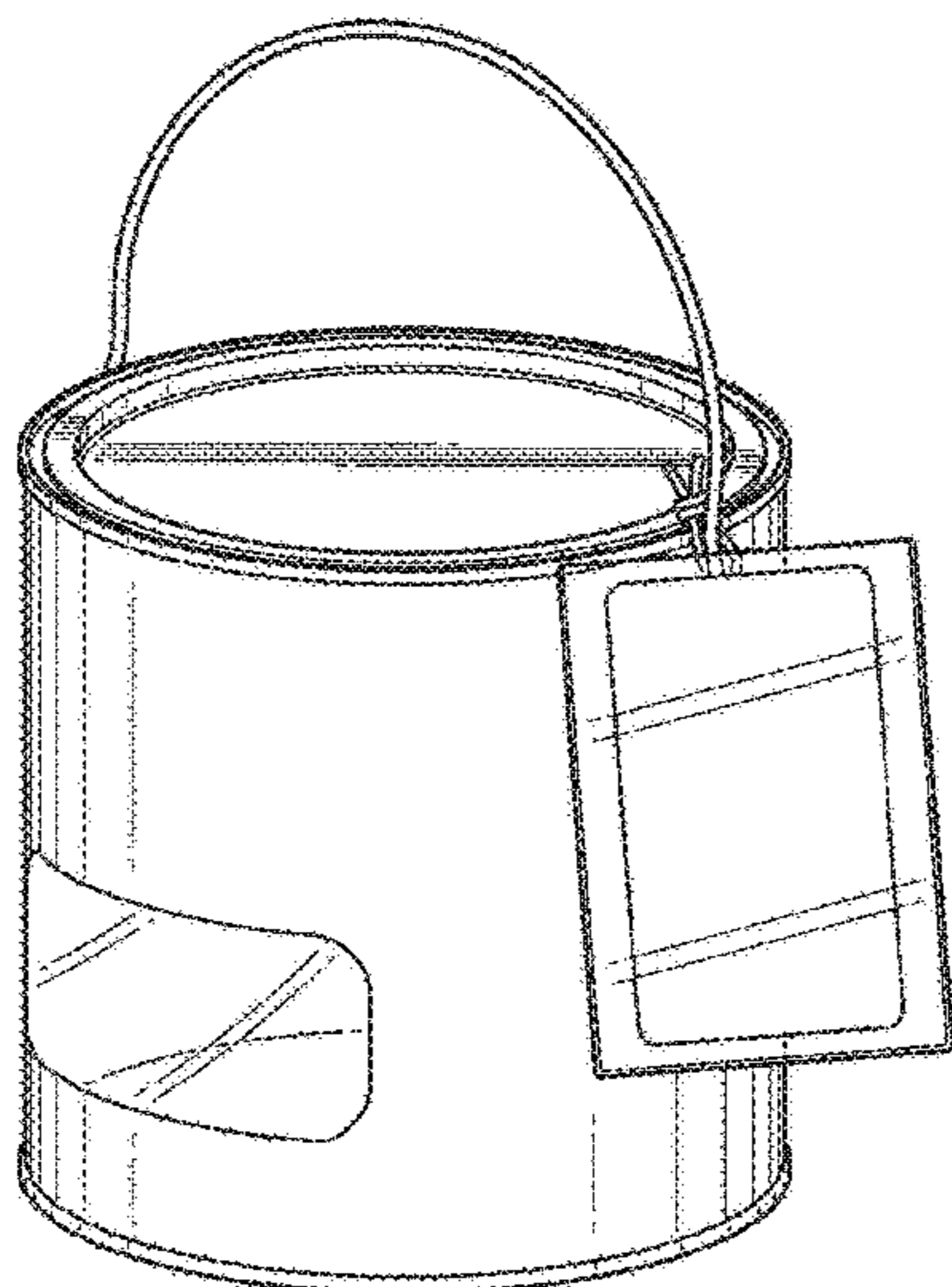
The ornamental design for a container assembly, as shown and described.

**DESCRIPTION**

FIG. 1 is a front perspective view of our container assembly; FIG. 2 is a front view thereof; FIG. 3 is a back view thereof; FIG. 4 is a right side view thereof; FIG. 5 is a left side view thereof; FIG. 6 is a top view thereof; and, FIG. 7 is a bottom view thereof.

The oblique lines depicted on the window of the container assembly indicate that the window is transparent. The oblique lines depicted on the sleeve retaining the tag suspended from the handle of the container assembly indicate that the sleeve is transparent.

**1 Claim, 6 Drawing Sheets**



(56)

References Cited

U.S. PATENT DOCUMENTS

1,309,615 A 7/1919 Dister  
 1,573,445 A 2/1926 Philips  
 2,535,857 A 12/1950 Ricciardi  
 2,616,590 A 11/1952 Opdyke  
 2,781,221 A 2/1957 Pekora  
 2,744,622 A 5/1959 Sparks  
 3,263,803 A 8/1966 Almond  
 3,312,337 A 4/1967 Martin  
 3,358,877 A 12/1967 Eckhoff  
 D220,316 S 3/1971 Bardell  
 3,822,812 A 7/1974 Shorin et al.  
 D249,870 S 10/1978 Tillander  
 4,227,625 A 10/1980 Underwood  
 D265,723 S 8/1982 Rosenthal  
 D277,646 S \* 2/1985 Jorgensen ..... D9/454  
 D282,897 S 3/1986 Conti et al.  
 D285,778 S 9/1986 Smith  
 D296,421 S \* 6/1988 Rayner ..... D9/779  
 D296,423 S 6/1988 Rayner  
 4,911,319 A 3/1990 DeJean  
 D310,628 S 9/1990 Rayner  
 D312,157 S \* 11/1990 Sjolander ..... D3/276  
 5,031,826 A 7/1991 Seufert  
 D329,597 S 9/1992 Gallagher et al.  
 D340,189 S 10/1993 Fletcher  
 5,458,235 A 10/1995 Stone  
 D367,612 S 3/1996 Shaw et al.  
 D372,197 S \* 7/1996 Gough ..... D9/560  
 5,570,807 A 11/1996 Busch  
 5,626,319 A \* 5/1997 Fusillo ..... B44D 3/123  
 248/110  
 5,641,089 A 6/1997 Palank  
 5,669,526 A \* 9/1997 Keyfauver ..... B44D 3/12  
 206/508  
 D388,522 S 12/1997 Pietrantonio  
 5,806,709 A 9/1998 Marshall, II  
 5,820,090 A \* 10/1998 Nickels ..... B44D 3/123  
 248/213.2  
 5,893,489 A \* 4/1999 Giarrante ..... B44D 3/127  
 220/254.8  
 5,941,427 A \* 8/1999 Speer ..... B65D 25/48  
 222/189.06  
 D419,735 S \* 1/2000 Del Real ..... D32/53  
 D424,272 S 5/2000 Hyer  
 D438,345 S 2/2001 Motosko  
 D446,448 S 8/2001 Jernigan et al.  
 6,269,977 B1 \* 8/2001 Moore ..... B44D 3/127  
 222/143  
 6,378,763 B1 4/2002 Nelson et al.  
 7,134,574 B2 \* 11/2006 Braunstein ..... B44D 3/128  
 222/108  
 D539,969 S 4/2007 Accornero  
 D549,099 S 8/2007 Edwards  
 D565,412 S 4/2008 Fuller

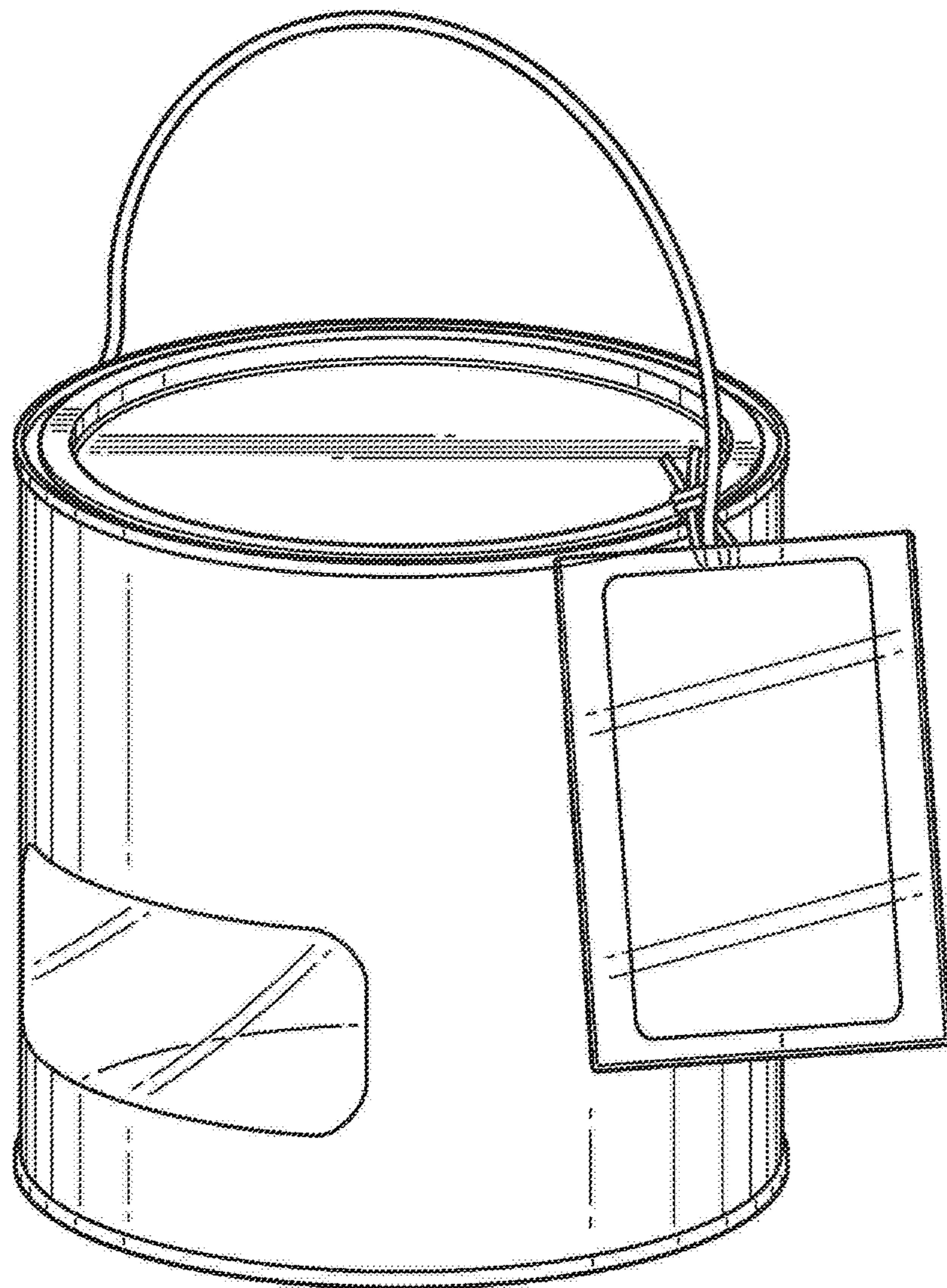
D585,304 S 1/2009 Alvares et al.  
 7,591,589 B2 5/2009 Myers et al.  
 D593,353 S 6/2009 Hoffman et al.  
 D610,856 S 3/2010 Hoffman et al.  
 D620,604 S 7/2010 Alford  
 D649,479 S 11/2011 Richardson  
 D651,515 S 1/2012 Haile  
 D653,964 S 2/2012 Cepetic  
 8,191,708 B2 \* 6/2012 D'Amato ..... B65D 3/28  
 206/459.5  
 D692,770 S 11/2013 Petronio  
 8,678,229 B1 3/2014 Alford et al.  
 D744,846 S 12/2015 Koop et al.  
 D754,536 S 4/2016 Arriaga  
 D756,647 S 5/2016 Leblanc  
 D756,649 S 5/2016 Leblanc  
 D758,025 S 5/2016 Ma et al.  
 9,522,568 B2 12/2016 Abernethy, Jr.  
 9,539,851 B1 1/2017 Tanda  
 D782,297 S 3/2017 Vaske et al.  
 D804,847 S \* 12/2017 Barnes ..... D6/515  
 D814,317 S \* 4/2018 Ehrlich ..... B65D 85/00  
 D9/779  
 D825,337 S \* 8/2018 Augustyniak ..... D9/503  
 2005/0167313 A1 8/2005 Annetts  
 2013/0146609 A1 6/2013 Campbell et al.  
 2014/0272015 A1 9/2014 Ehrlich et al.  
 2015/0217595 A1 8/2015 Piatek et al.

OTHER PUBLICATIONS

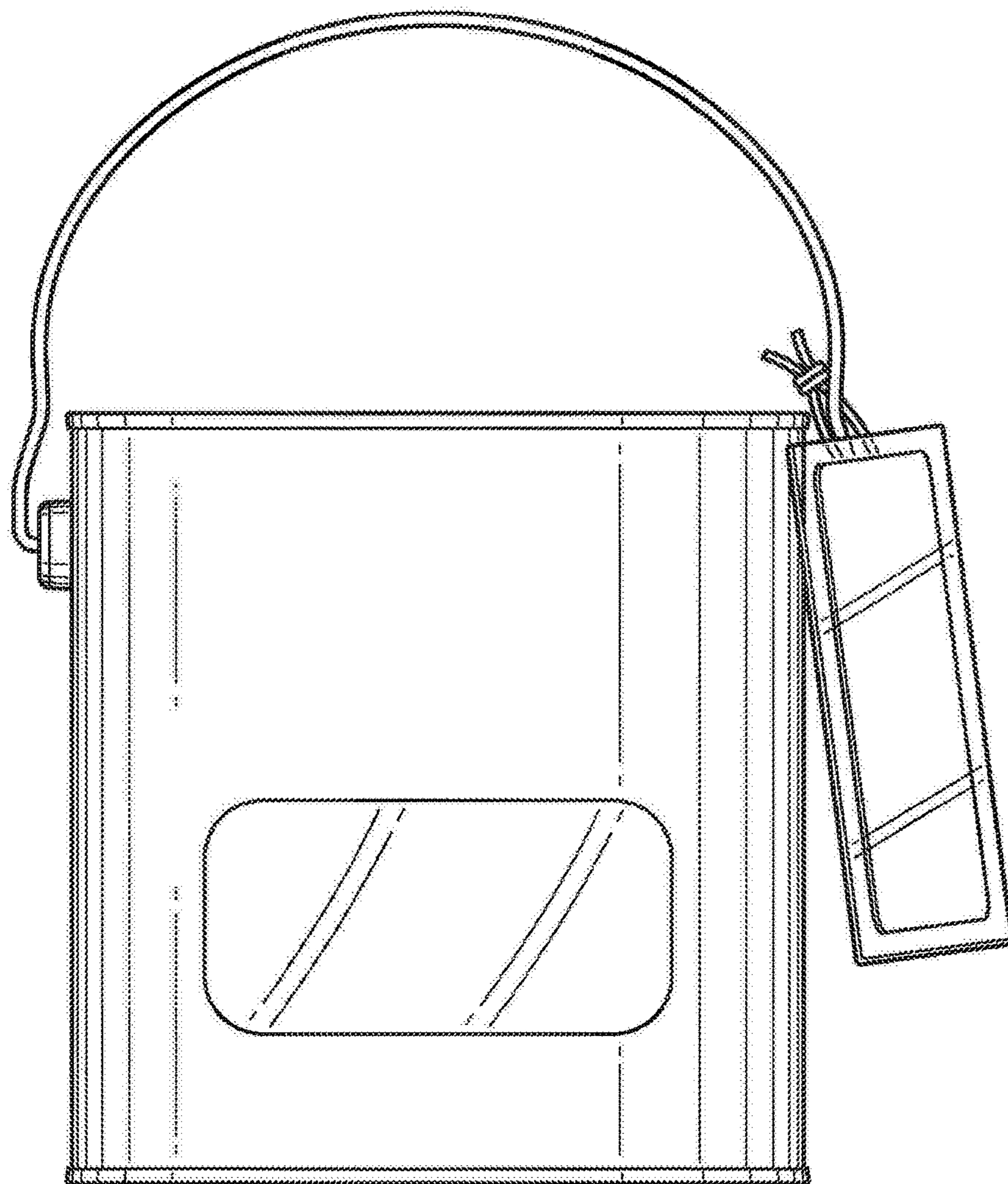
The Cary Company, Paint Style Art Cans, [on line] Mar. 26, 2010, retrieved Mar. 17, 2016. Retrieved from the Internet: URL: <https://web.archive.org/web/20100326043920/http://www.thecarycompany.com/containers/plasticpaintcans.html>.  
 Crumbs and Morsels, Fillers for Gift Baskets, Paint Cans, Lunch Boxes, [on line Dec. 29, 2008, retrieved Mar. 17, 2016. Retrieved from the Internet: <URL:http://crumbsmorsels.blogspot.com/2008/12/here-are-lots-of-ideas-to-fill-paint.html>.  
 Bargain Hoot, Father's Day DIY, [on line] Jun. 3, 2010, retrieved Mar. 17, 2016. Retrieved from the Internet: URL: <http://www.bargainhoot.com/2010/06/03/fathers-day-diy-download/>.  
 USPTO Office Action regarding U.S. Appl. No. 13/839,945, dated Jul. 17, 2015.  
 Swartley, Rachel, "Mini Paint Can Party Favors." rachelswartley.com. Sep. 26, 2011. Accessed Sep. 27, 2017. Available online at URL: <http://www.rachelswartley.com/2011/09/26/mini-pain-can-party-favors/> (Year: 2011).  
 "Miniature Clear Paint Cans." containerstore.com. Reviewed Jul. 11, 2013. Accessed Mar. 16, 2017. Available online at URL: <https://www.containerstore.com/s/gift-packaging/containers/miniature-clear-paint-cans/12d?productId=10029978>.  
 Mexican office action issued in application No. MX/a/2014/003204, dated May 15, 2019, 10 pgs.

\* cited by examiner

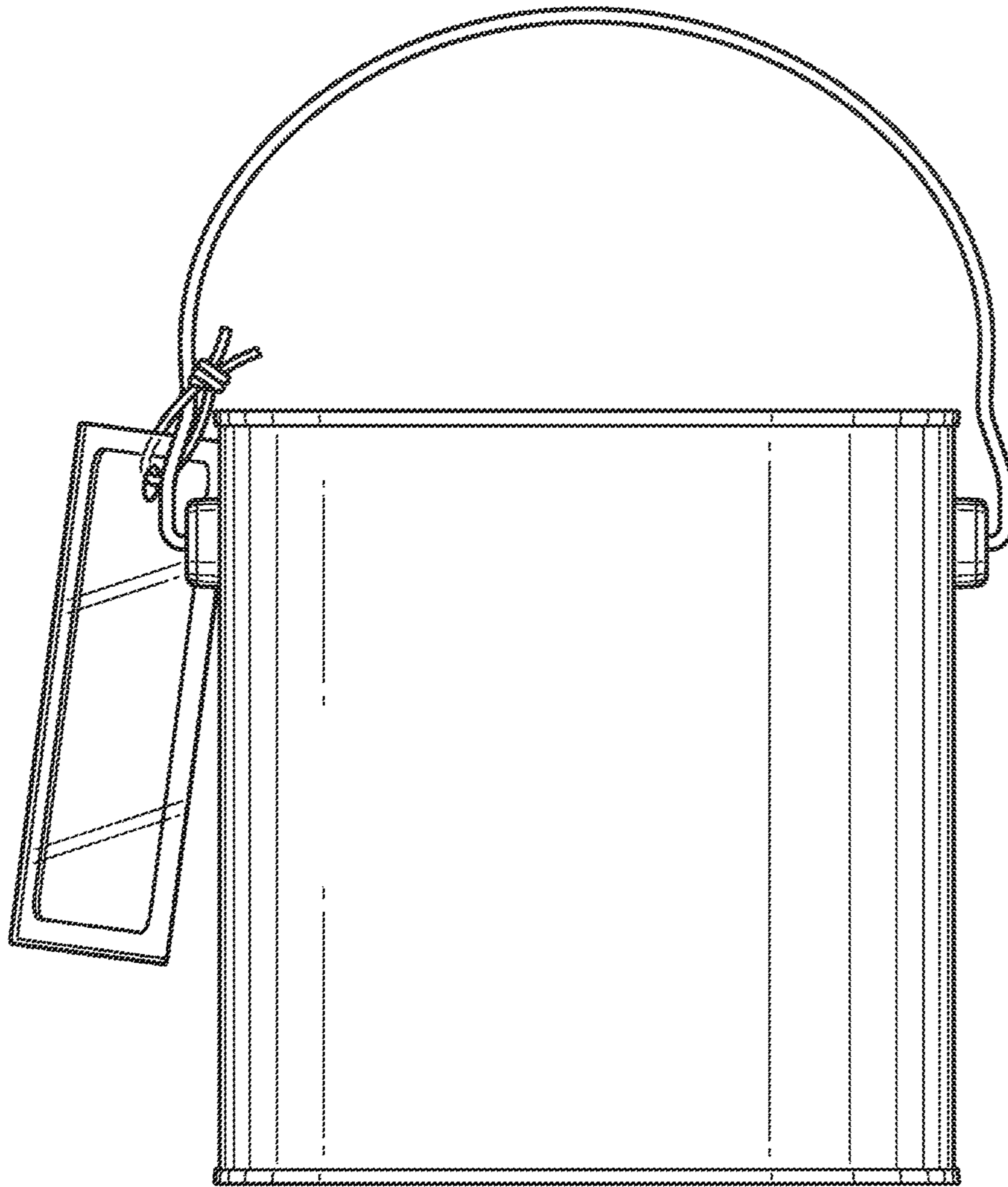




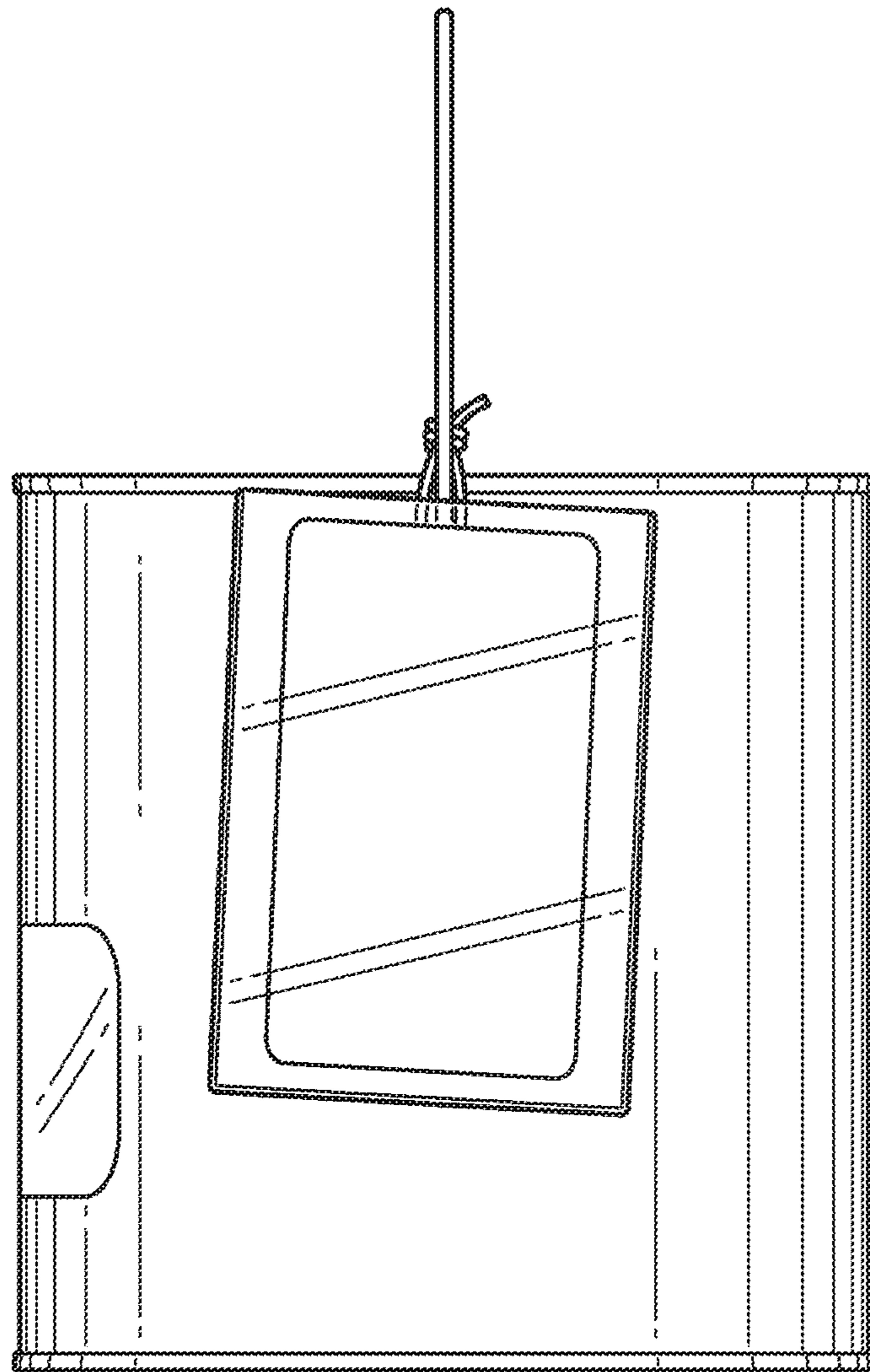
**FIG. 1**



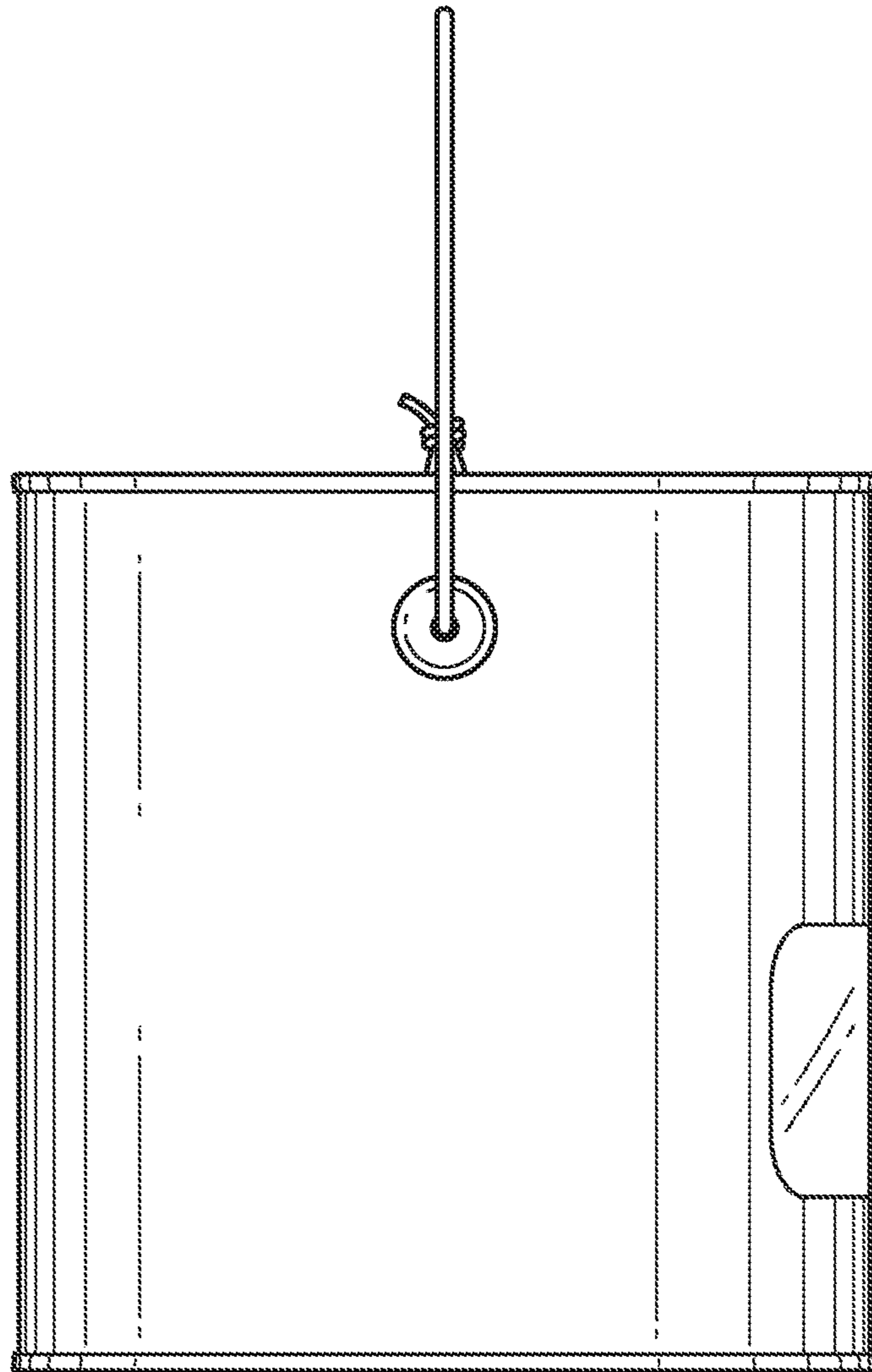
**FIG. 2**



**FIG. 3**

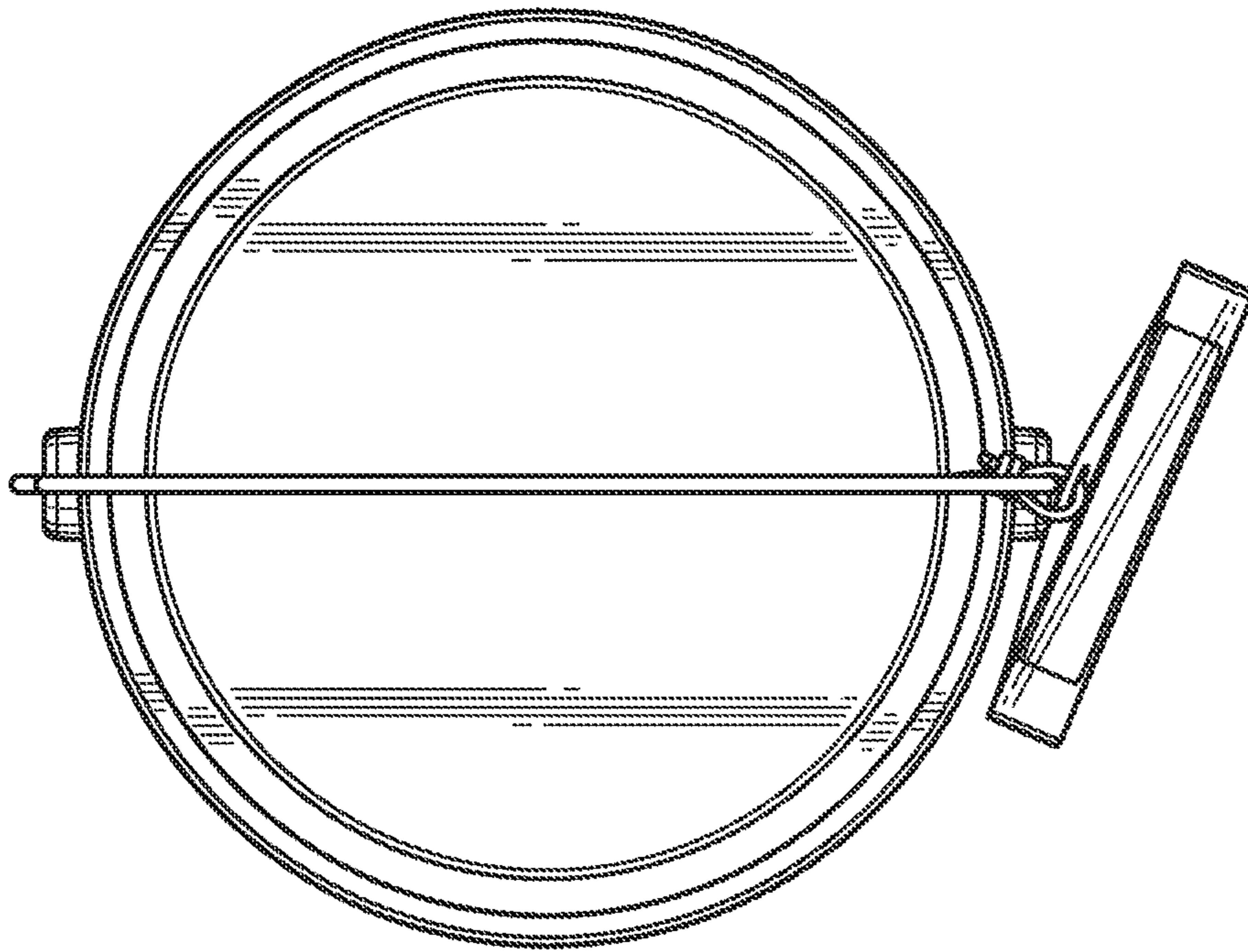


**FIG. 4**

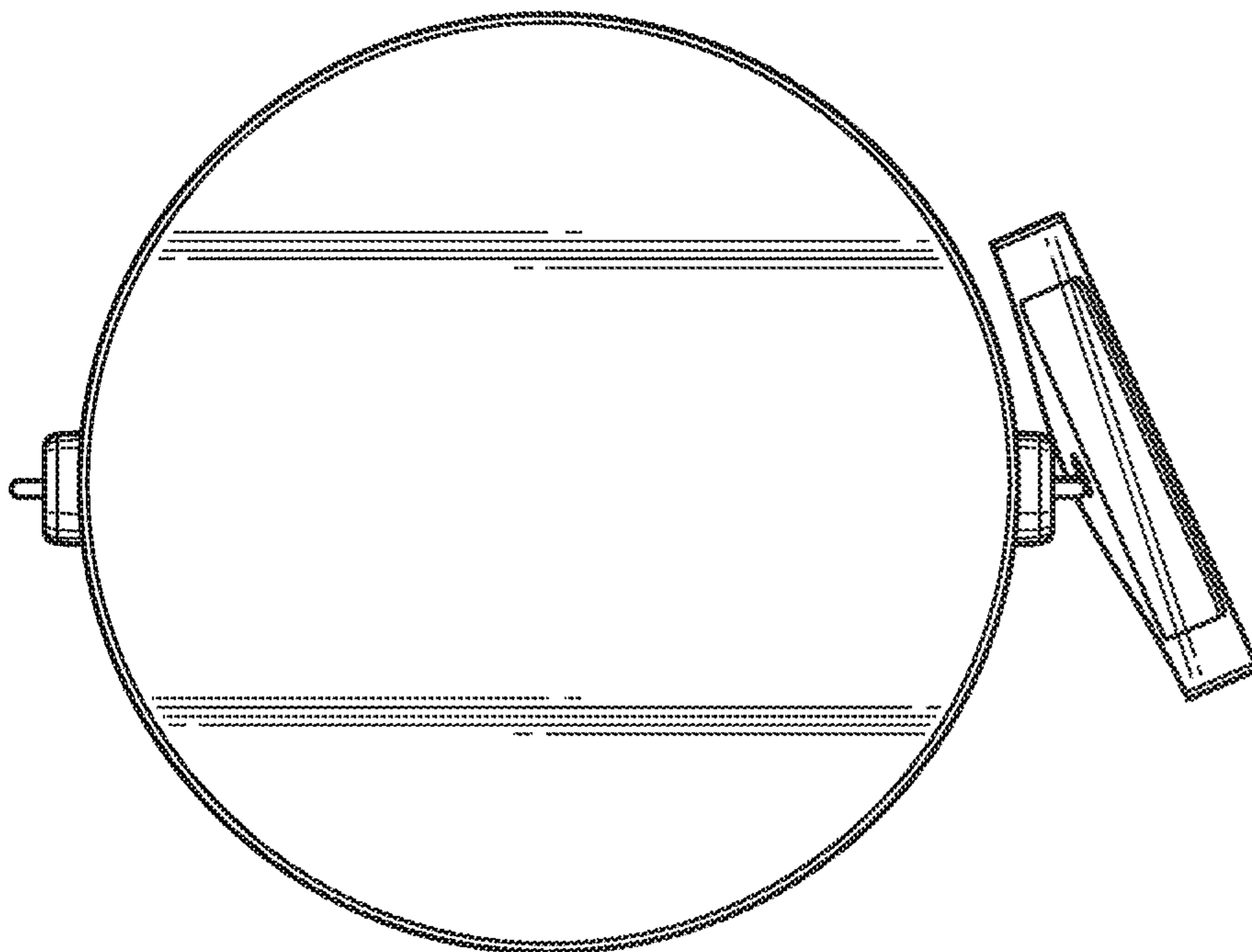


**FIG. 5**





**FIG. 6**



**FIG. 7**