



US00D869955S

(12) **United States Design Patent** (10) **Patent No.:** **US D869,955 S**  
**Kilduff et al.** (45) **Date of Patent:** **\*\* \*Dec. 17, 2019**

(54) **SQUEEZE TO OPEN CONTAINER**

(71) Applicant: **POLLEN GEAR LLC**, New York, NY (US)

(72) Inventors: **Edward Kilduff**, New York, NY (US);  
**Shane Grant Blomberg**, Brooklyn, NY (US)

(73) Assignee: **POLLEN GEAR LLC**, Hermosa Beach, CA (US)

(\*) Notice: This patent is subject to a terminal disclaimer.

(\*\*) Term: **15 Years**

(21) Appl. No.: **29/583,722**

(22) Filed: **Nov. 8, 2016**

(51) **LOC (12) Cl.** ..... **09-01**

(52) **U.S. Cl.**  
USPC ..... **D9/560**

(58) **Field of Classification Search**  
USPC ..... D9/434-435, 439, 447, 449, 450, 452,  
D9/454, 516, 520, 522-524, 528-531,  
(Continued)

(56) **References Cited**

**U.S. PATENT DOCUMENTS**

2,387,392 A 10/1945 Guyer et al.  
2,606,586 A 8/1952 Hill  
(Continued)

**FOREIGN PATENT DOCUMENTS**

CA 107143 S 8/2005  
EP 0343778 A1 11/1989

**OTHER PUBLICATIONS**

Pop Box. Online, published date unknown. Retrieved on Oct. 31, 2017 from URL: <https://www.pollengear.com/pop-box/>.\*

*Primary Examiner* — Susan Bennett Hattan

*Assistant Examiner* — Omeed Agilee

(74) *Attorney, Agent, or Firm* — RMCK Law Group PLC

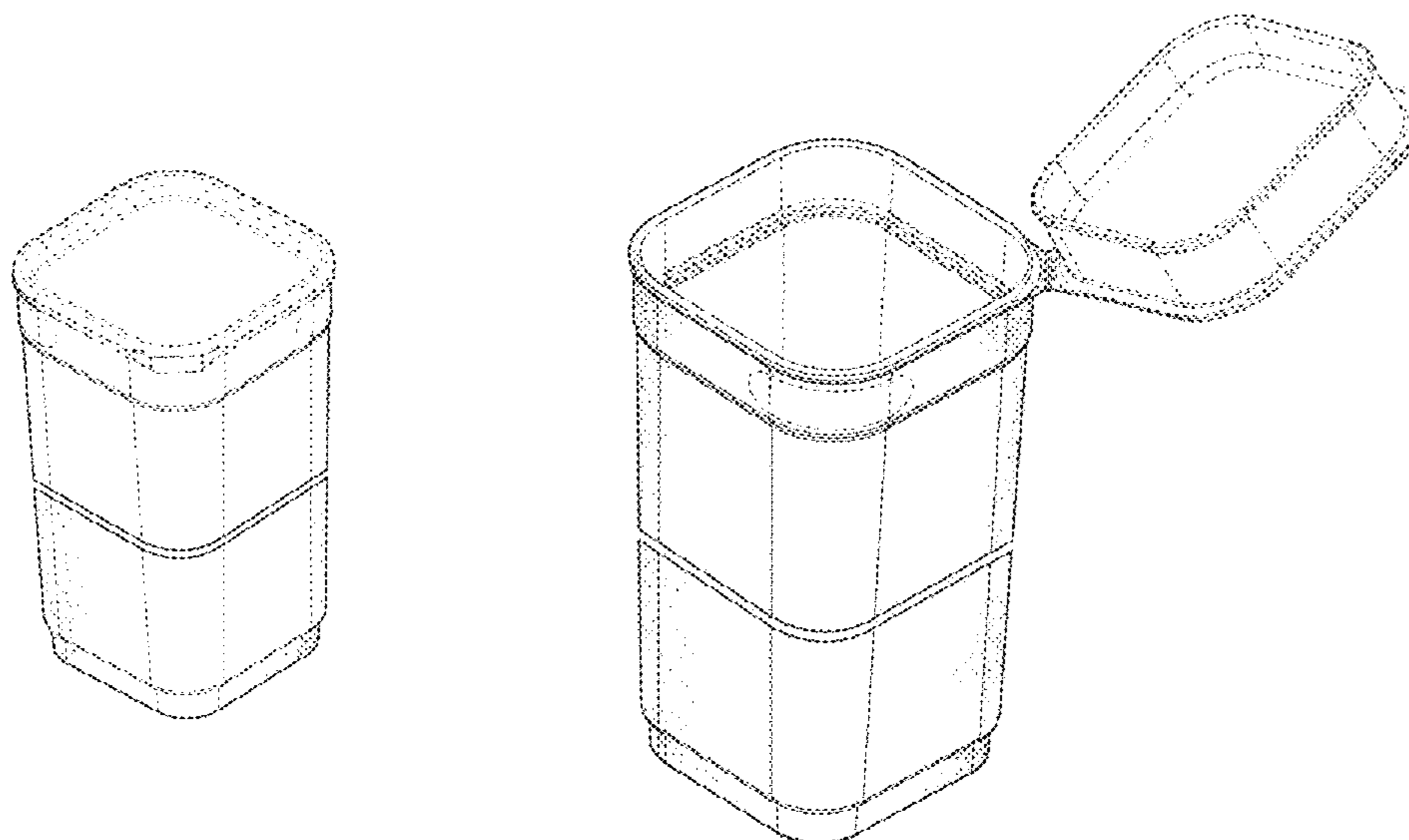
(57) **CLAIM**

The ornamental design for a squeeze to open container, as shown and described.

**DESCRIPTION**

FIG. 1 is a top, rear and left perspective view of the first embodiment of a squeeze to open container showing our new design in a closed configuration; FIG. 2 is a bottom, rear and right perspective view thereof; FIG. 3 is a left elevational view thereof; FIG. 4 is a front elevational view thereof; FIG. 5 is a rear elevational view thereof; FIG. 6 is a right elevational view thereof; FIG. 7 is a top plan view thereof; FIG. 8 is a bottom plan view thereof; FIG. 9 is a top, rear and right perspective view of a second embodiment of a squeeze to open container in an open configuration; FIG. 10 is a bottom, rear and right perspective view thereof; FIG. 11 is a left elevational view thereof; FIG. 12 is a front elevational view thereof; FIG. 13 is a rear elevational view thereof; FIG. 14 is a right elevational view thereof; FIG. 15 is a top plan view thereof; and, FIG. 16 is a bottom plan view thereof. The broken lines in the figures depict portions of the squeeze to open container that form no part of the claimed design. The solid lines around the middle of the squeeze to open container illustrate symbolic breaks. The appearance of any portion of the article between the break lines forms no part of the claimed design.

**1 Claim, 11 Drawing Sheets**



# US D869,955 S

Page 2

(58) **Field of Classification Search**

USPC ..... D9/541-544, 549-551, 558-560, 563,  
D9/565-566, 571-575, 682, 686, 687,  
D9/693-694, 715, 719; D7/300, 300.1,  
D7/316, 317, 598; D23/211, 225  
CPC ..... B65D 23/00; B65D 21/0237; B65D  
2501/0009; B65D 2501/0081; B65D 1/00;  
B65D 1/02; B65D 1/12; B65D 1/18;  
B65D 1/20; B65D 1/0223

See application file for complete search history.

(56)

**References Cited**

U.S. PATENT DOCUMENTS

4,006,837 A \* 2/1977 Gates ..... B65D 41/0471  
215/333  
4,148,420 A 4/1979 Morrissette et al.  
4,830,206 A 5/1989 Fisher  
D336,244 S 6/1993 Arai  
D379,923 S 6/1997 Baschmakoff  
D466,012 S 11/2002 Baker  
D481,942 S 11/2003 Elgebrant  
D500,641 S 1/2005 Wolf et al.  
6,860,397 B1 3/2005 Walters  
D521,811 S 5/2006 Yourist  
D568,739 S \* 5/2008 Darr ..... D9/434  
7,370,788 B1 \* 5/2008 Otani ..... B65D 1/0207  
229/406  
7,413,096 B2 8/2008 Morgan et al.

D592,515 S \* 5/2009 Francis ..... D9/529  
D599,032 S 8/2009 Bucholtz et al.  
D605,505 S \* 12/2009 Shearsby ..... D9/655  
D614,949 S 5/2010 Schmidt  
D628,479 S 12/2010 Snedden et al.  
D656,815 S \* 4/2012 Fisher ..... D32/53  
D666,904 S 9/2012 Snedden et al.  
D669,777 S 10/2012 Brown et al.  
D688,126 S 8/2013 Snedden et al.  
D696,078 S 12/2013 Allen  
D708,066 S \* 7/2014 Peacock ..... D9/424  
D726,071 S 4/2015 Aoyama  
D731,303 S 6/2015 Daggett  
D734,550 S \* 7/2015 Schlatter ..... D28/83  
D748,468 S \* 2/2016 Angeloni ..... D9/420  
D763,681 S 8/2016 Morgan et al.  
D770,296 S \* 11/2016 Rothfos ..... D9/432  
D783,404 S \* 4/2017 Fromberg ..... D9/529  
D786,674 S \* 5/2017 Miller ..... D9/446  
D786,683 S \* 5/2017 Miller ..... D9/560  
D789,140 S \* 6/2017 Joseph ..... D7/392.1  
D790,335 S 6/2017 Honings et al.  
D793,223 S \* 8/2017 Minoli ..... D9/415  
D801,808 S 11/2017 Irimia et al.  
D821,869 S 7/2018 Cheng et al.  
D823,680 S 7/2018 Forecast  
2005/0035150 A1 2/2005 Laverdure  
2006/0043100 A1 3/2006 Johnson et al.  
2010/0276422 A1 \* 11/2010 Vovan ..... B65D 43/021  
220/260

\* cited by examiner

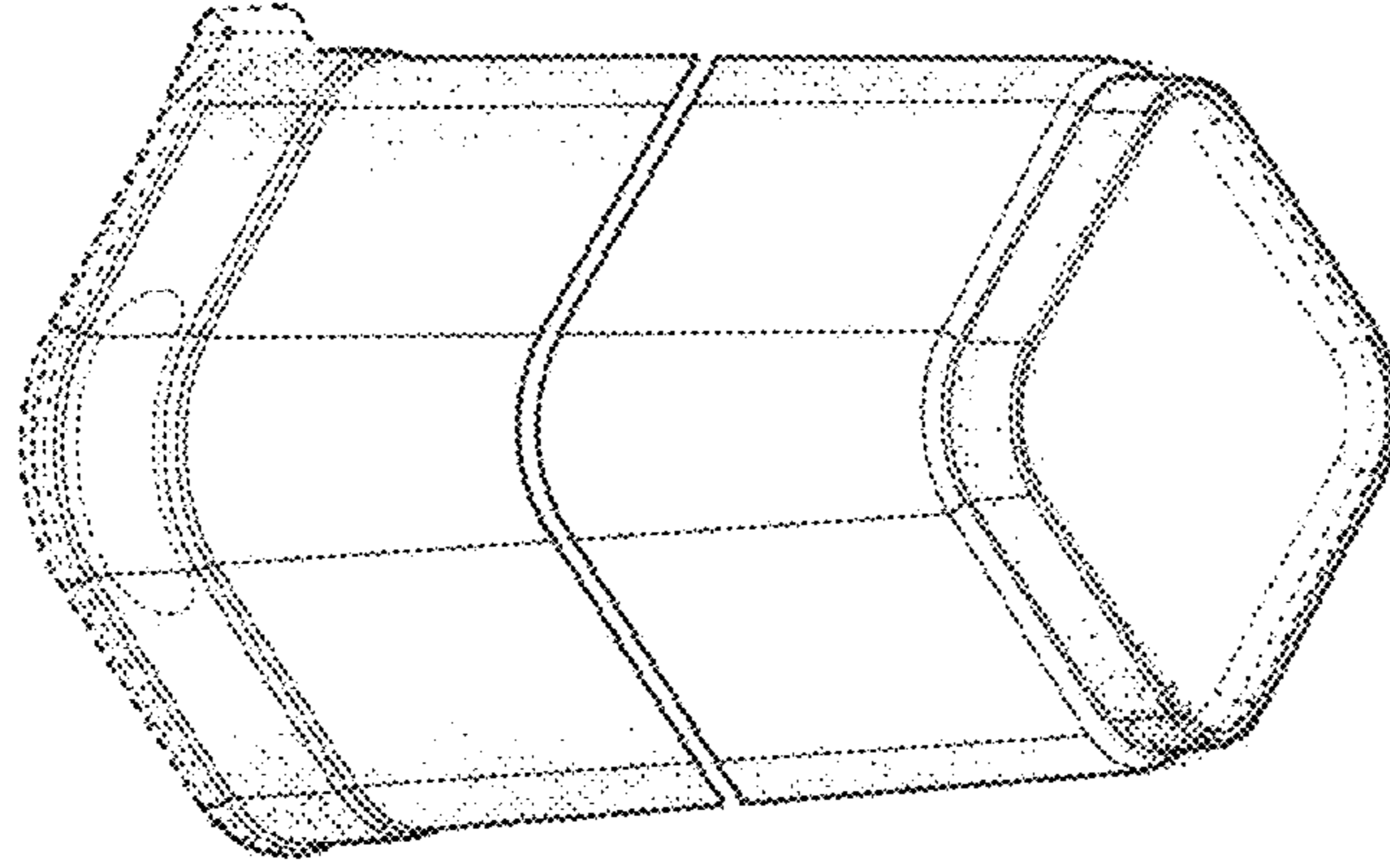


FIG. 2

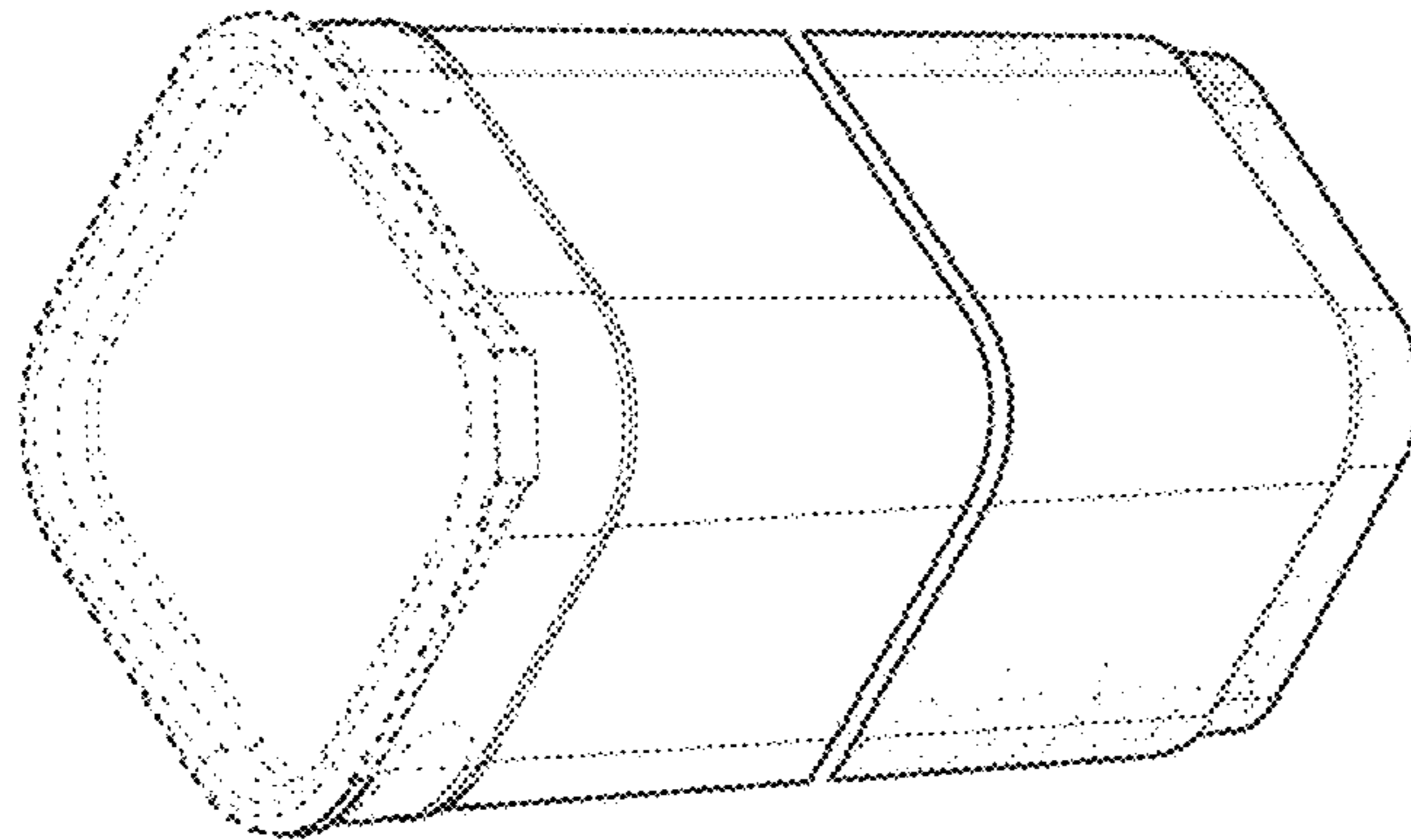


FIG. 1

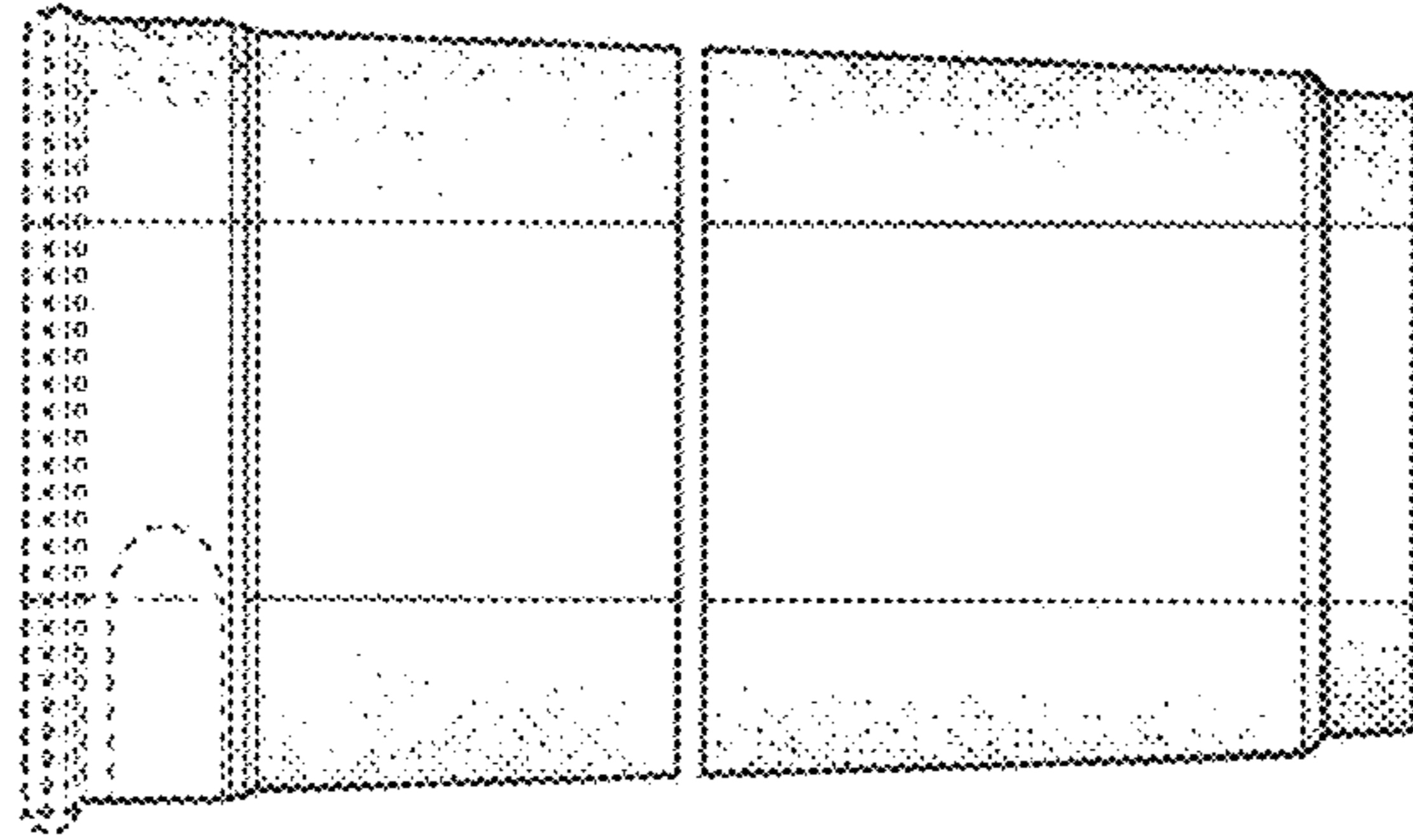


FIG. 4

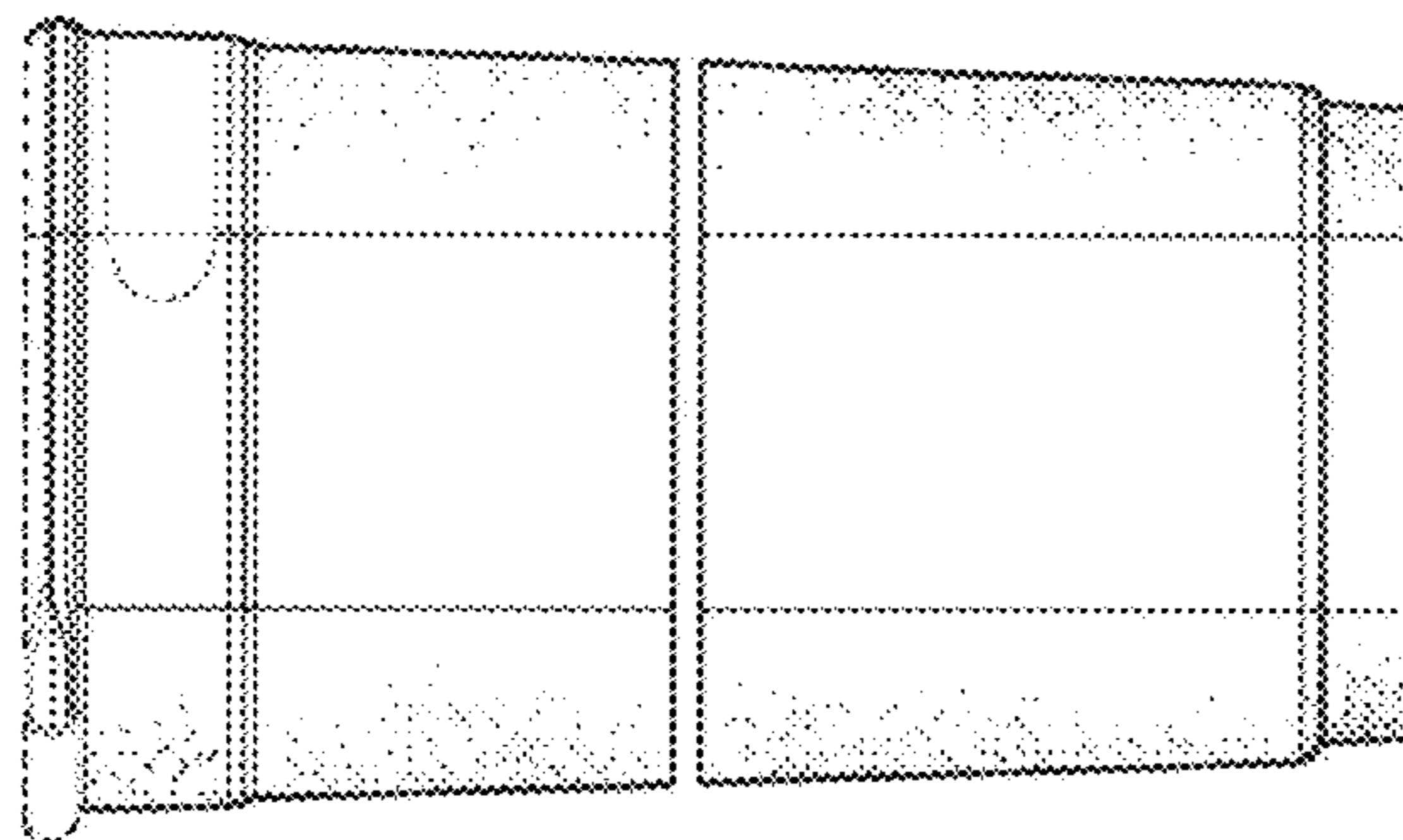


FIG. 3

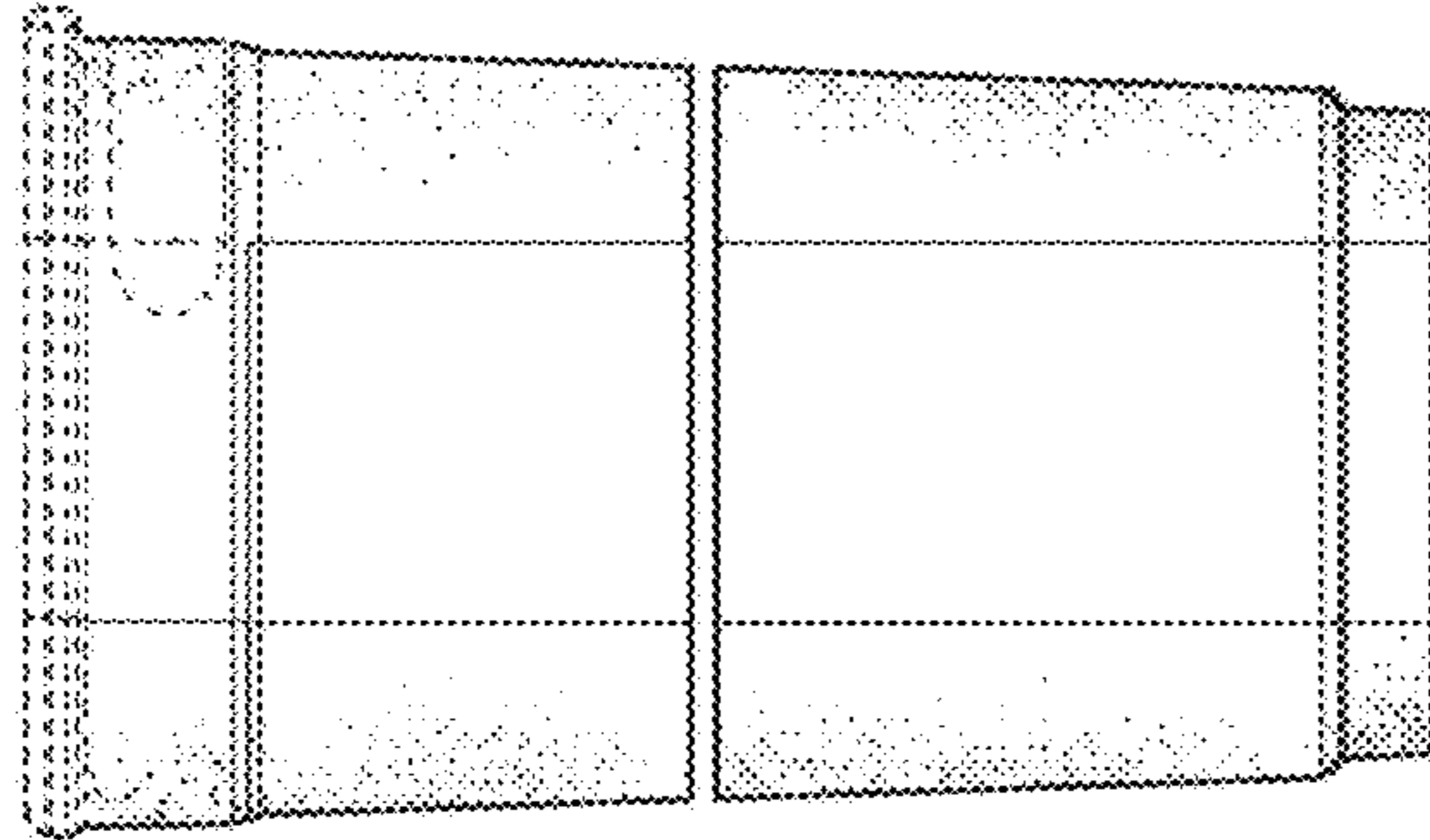


FIG. 6

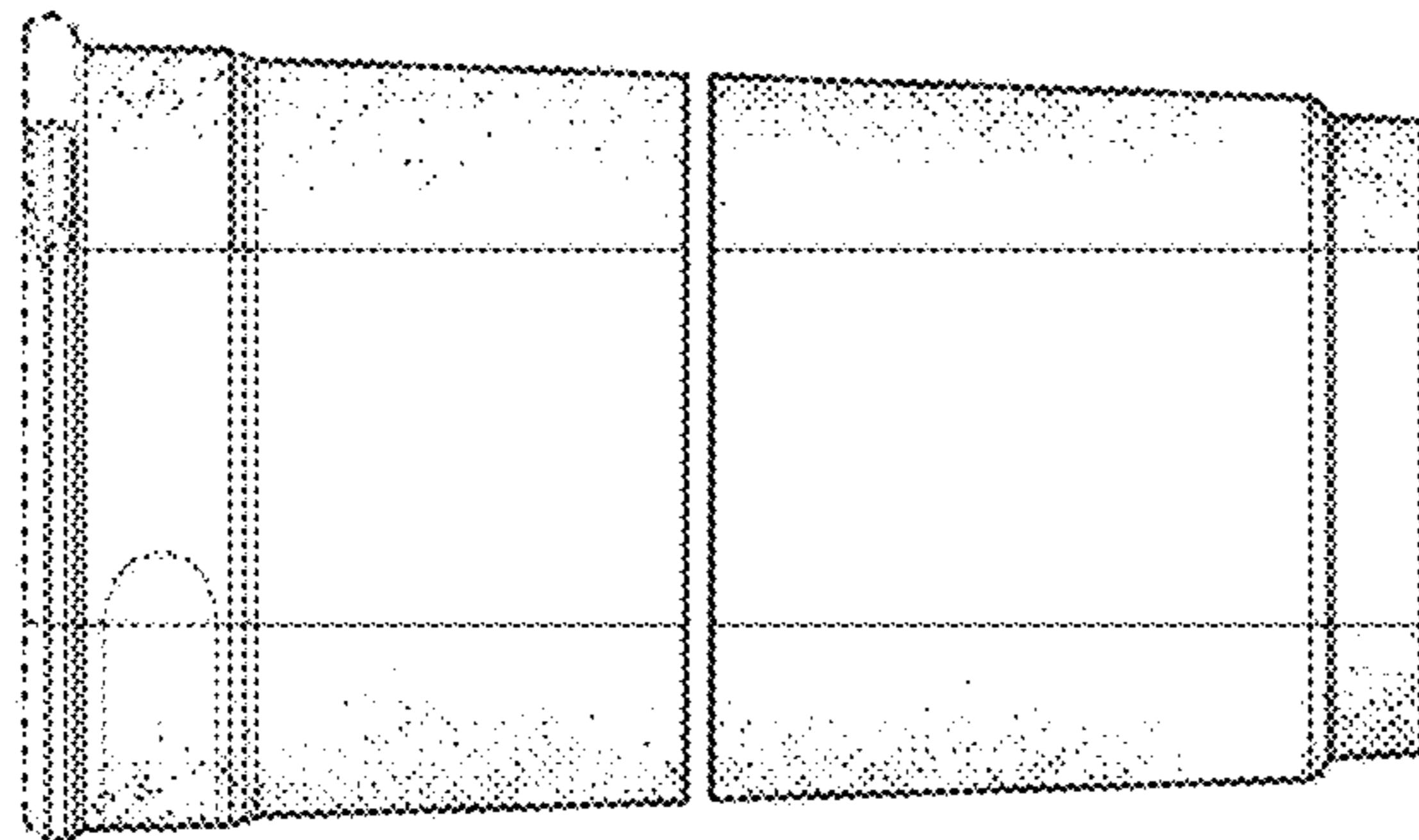


FIG. 5

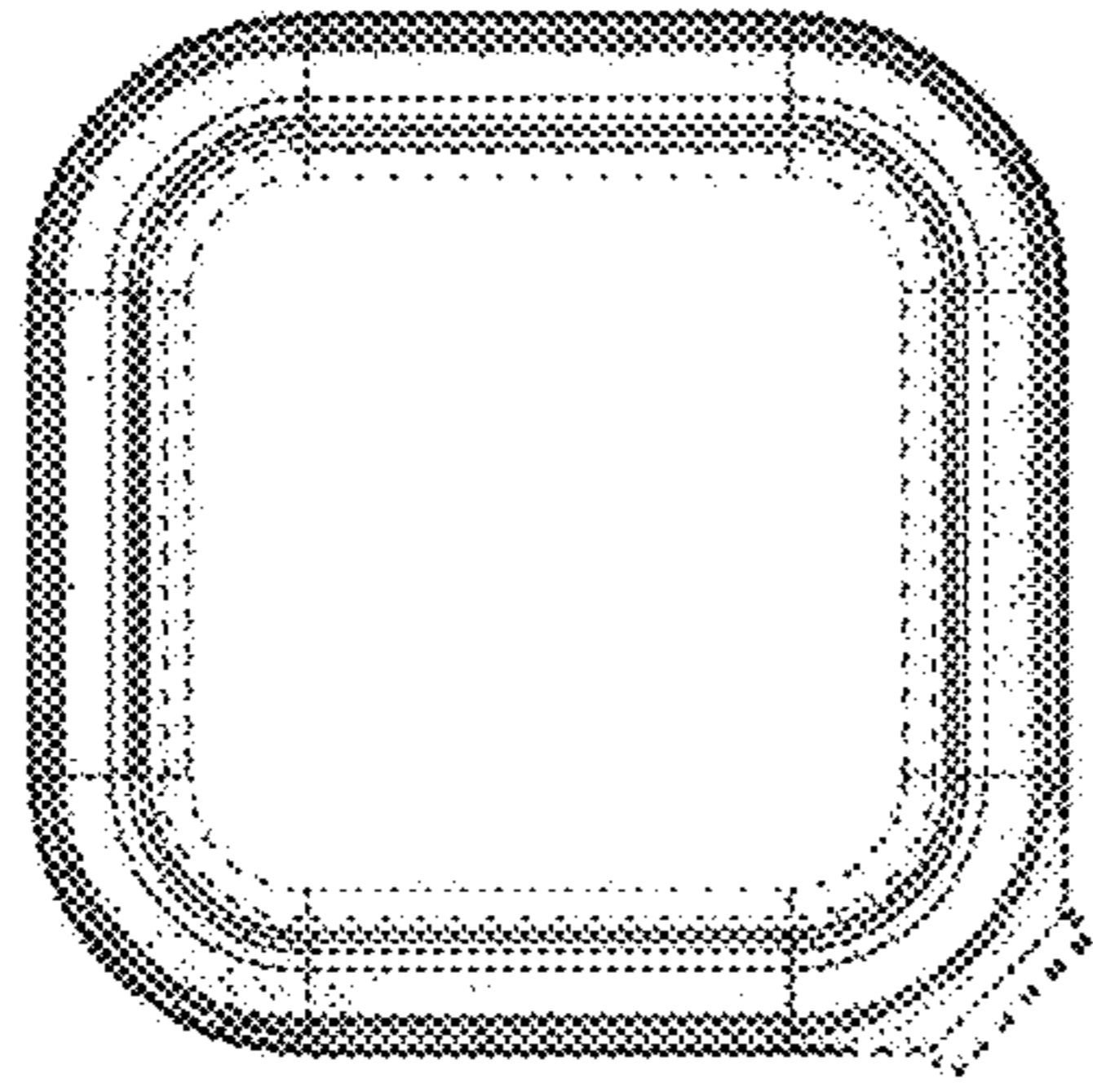


FIG. 8

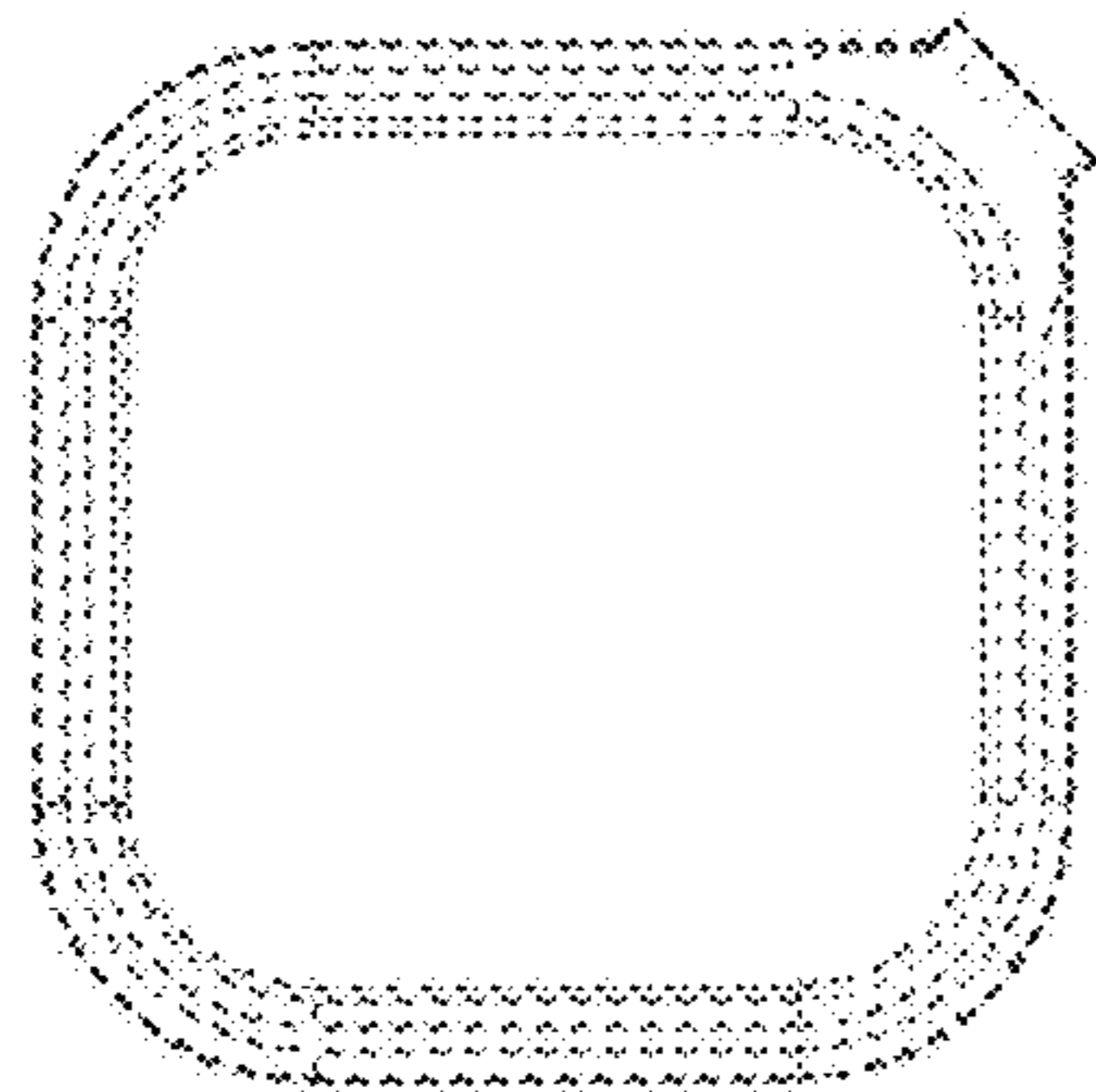


FIG. 7

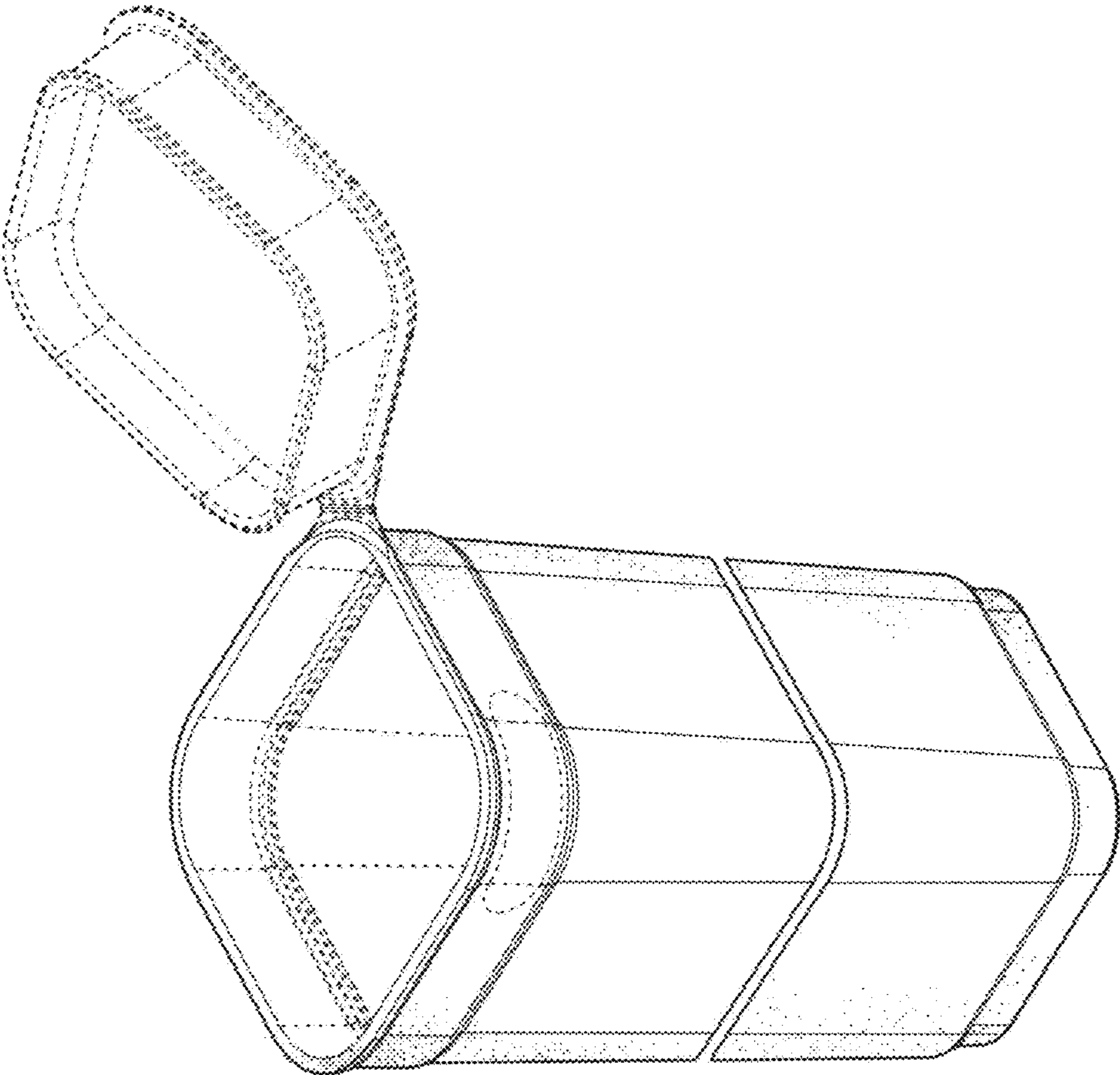


FIG. 9

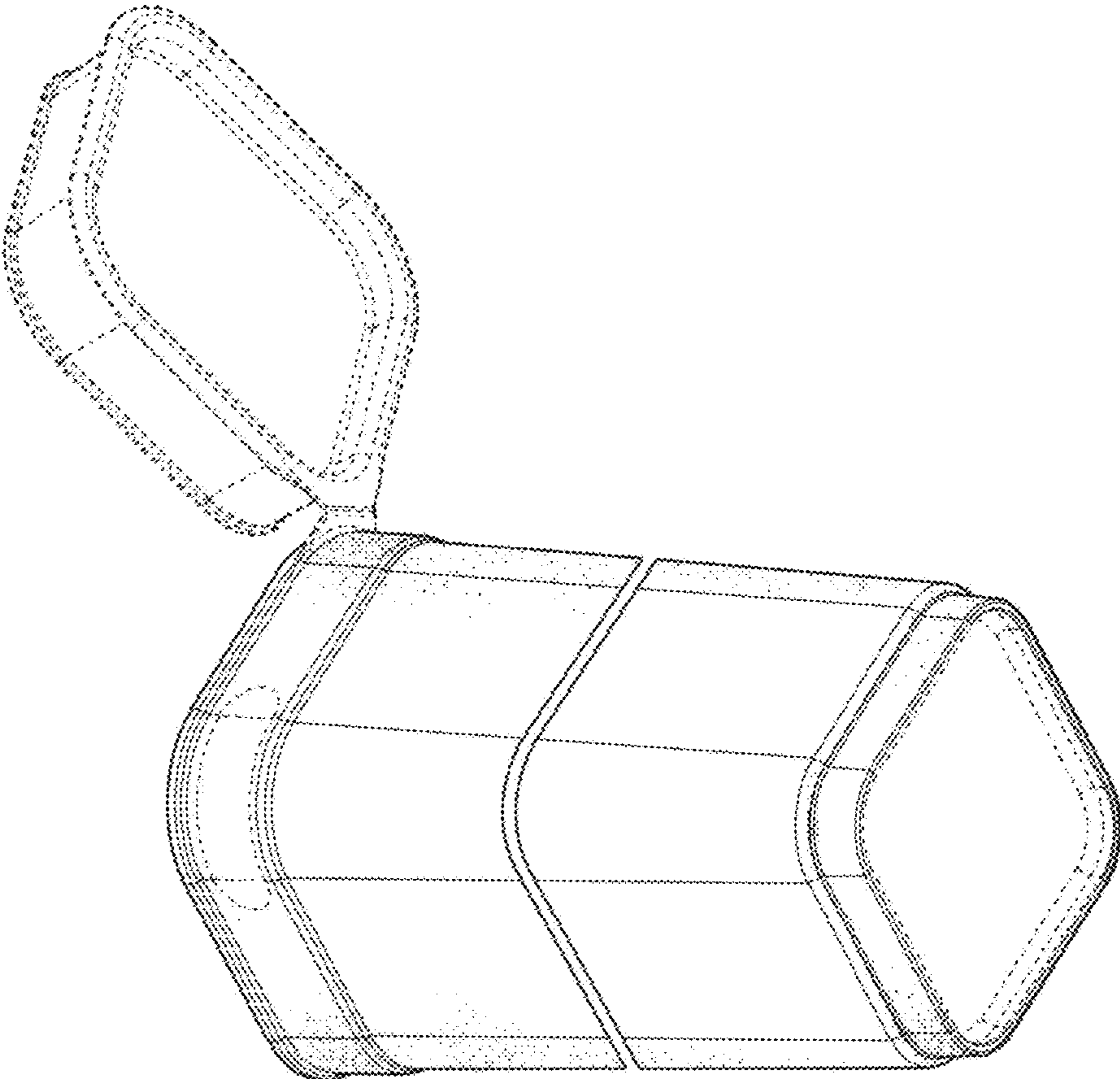


FIG. 10



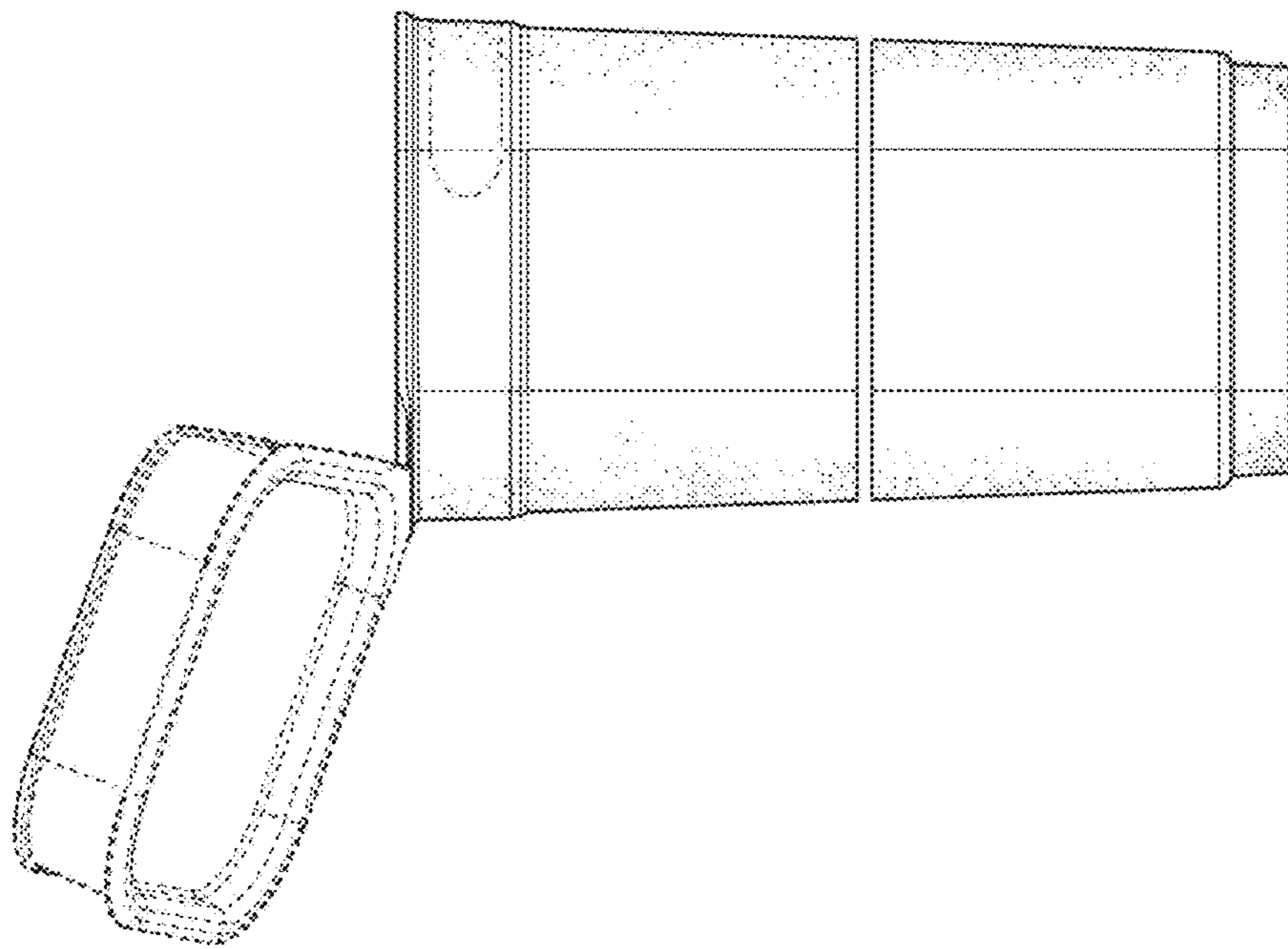


FIG. 11

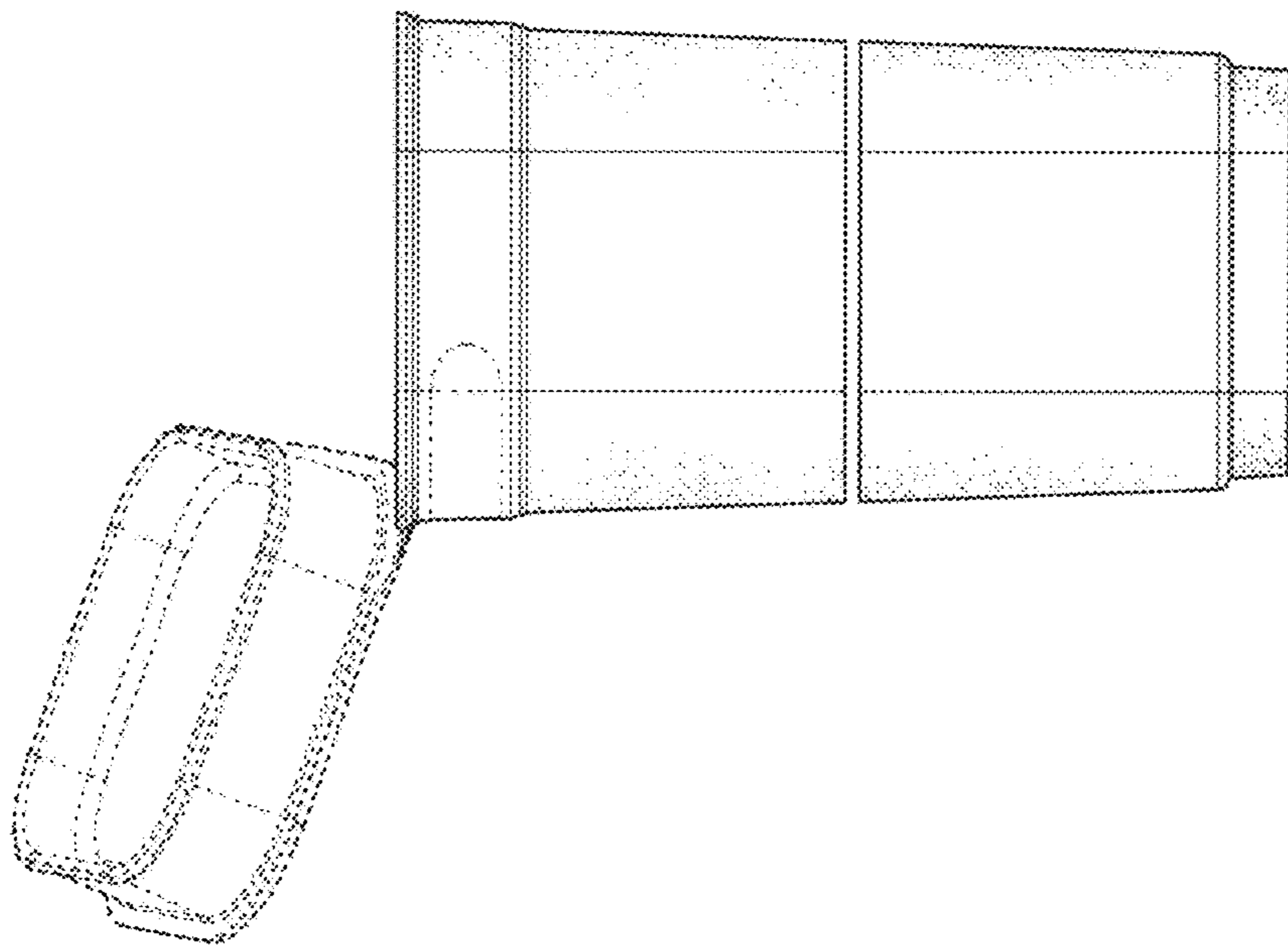


FIG. 12

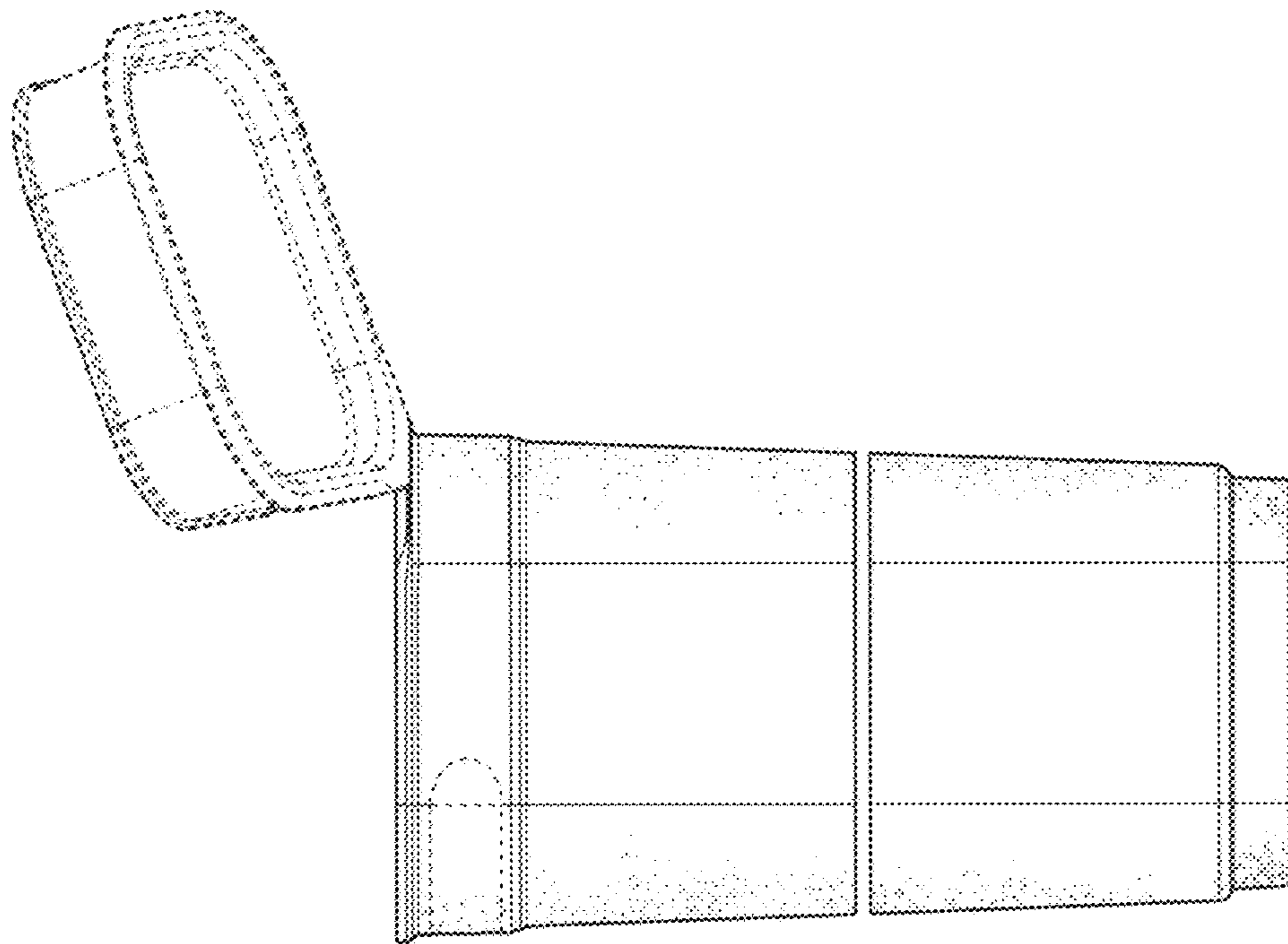


FIG. 13

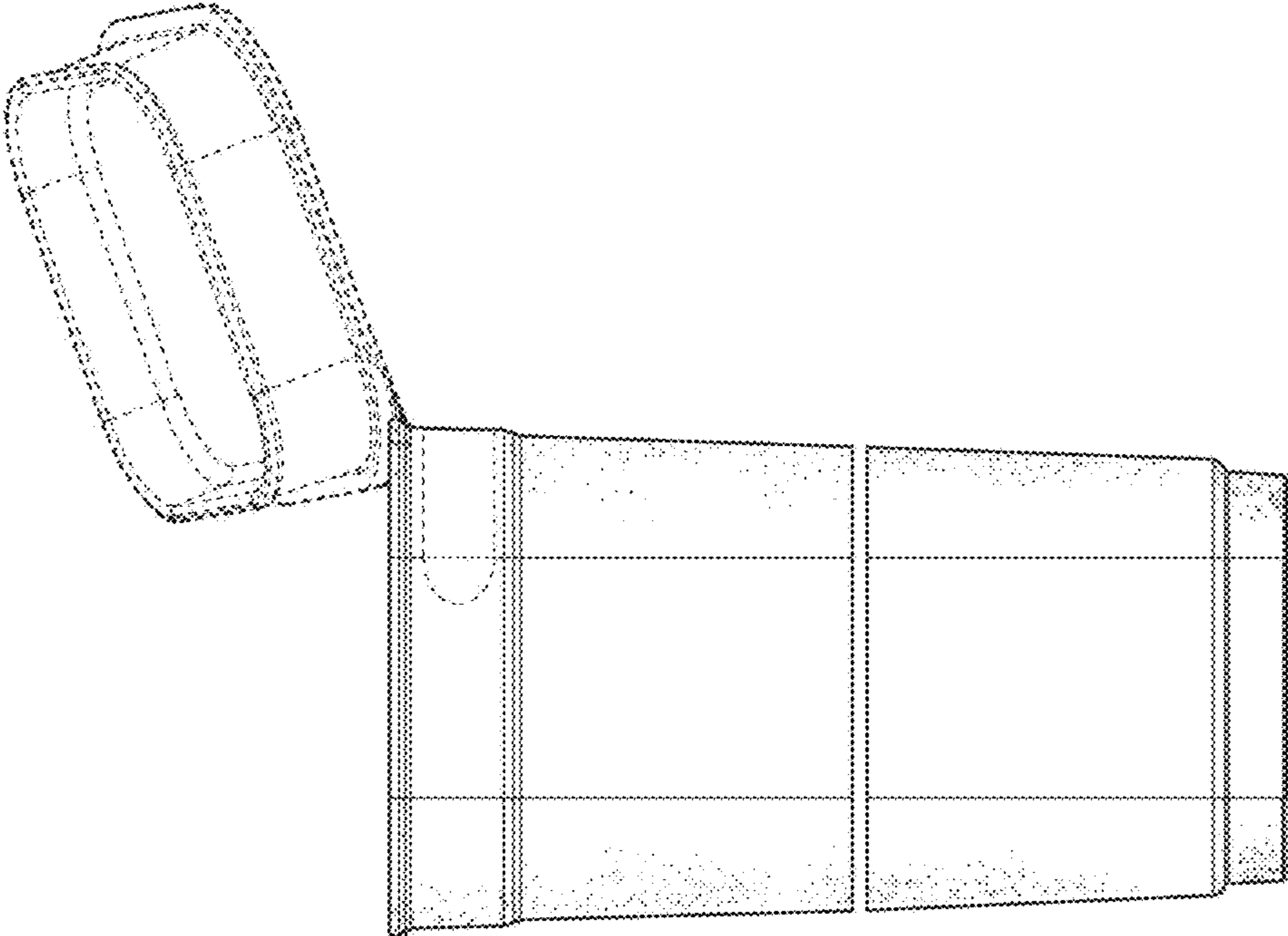


FIG. 14

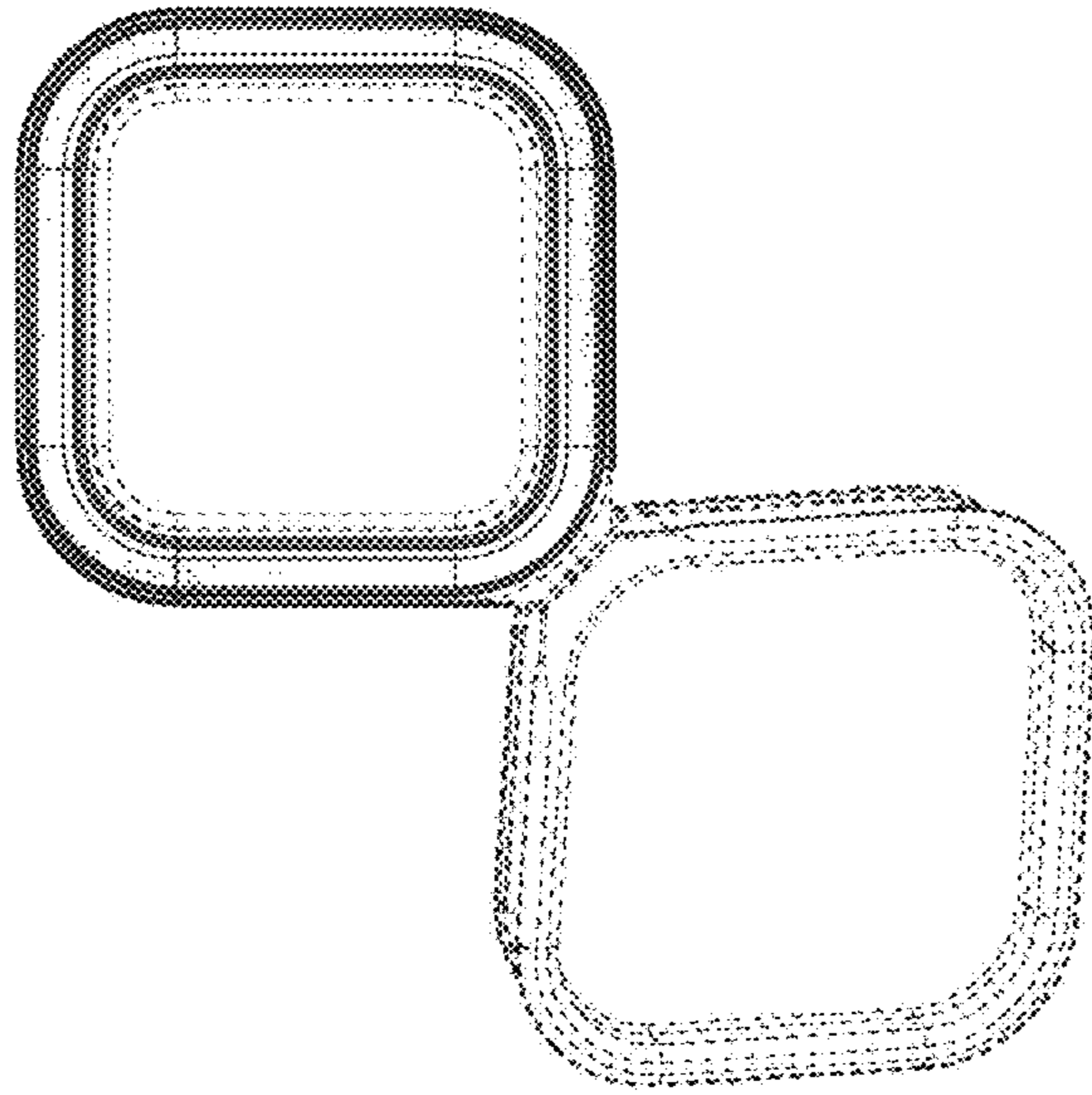


FIG. 16

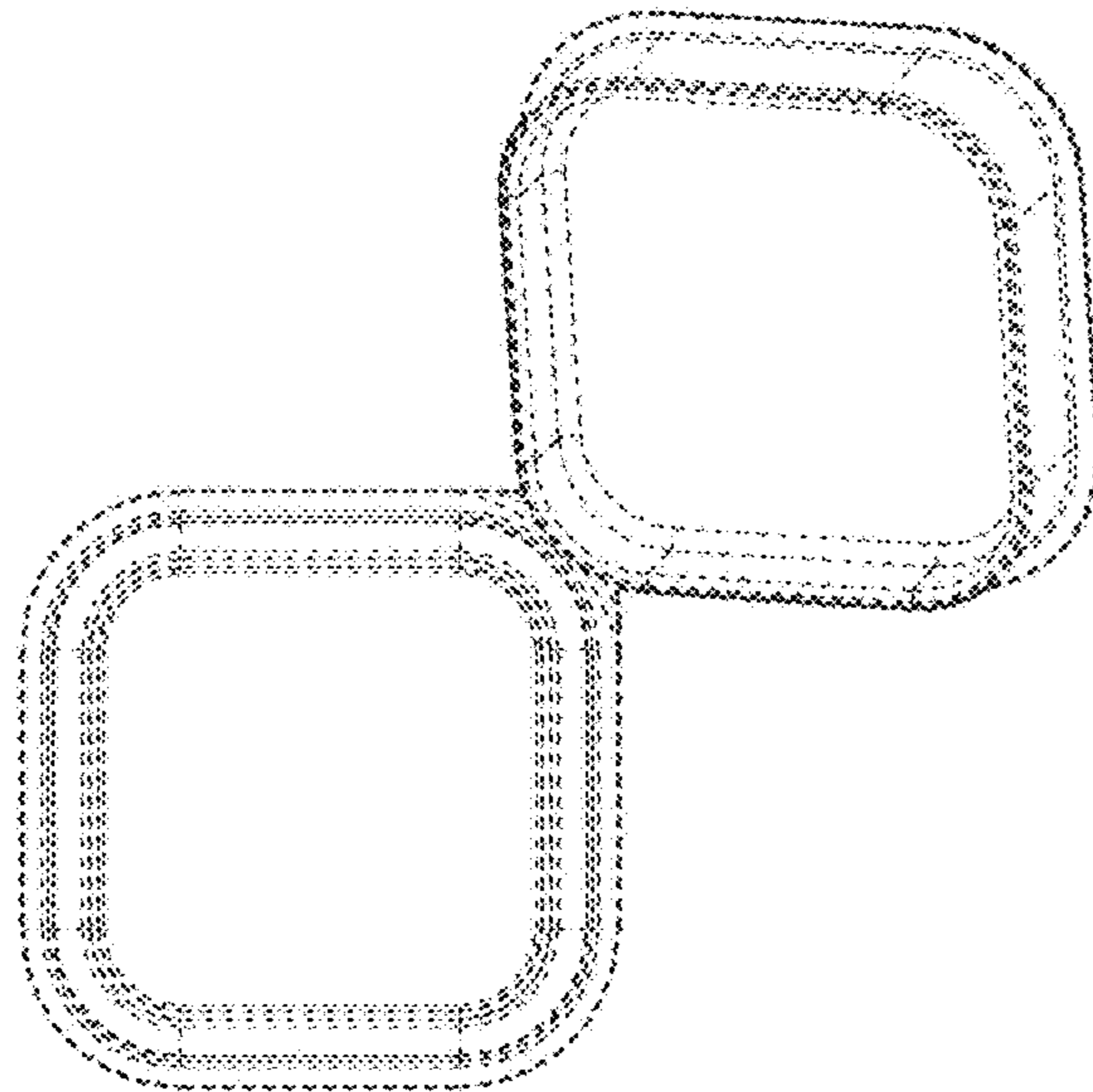


FIG. 15