

US00D869954S

(12) **United States Design Patent**
Simpson et al.

(10) **Patent No.:** **US D869,954 S**

(45) **Date of Patent:** **** Dec. 17, 2019**

- (54) **JUG**
- (71) Applicant: **Mid-America Machining, Inc.**,
Brooklyn, MI (US)
- (72) Inventors: **Matt Simpson**, Tecumseh, MI (US);
Jason Woods, Manchester, MI (US)
- (73) Assignee: **Mid-America Machining, Inc.**,
Brooklyn, MI (US)

- D208,824 S * 10/1967 Platte D9/531
- D215,410 S * 9/1969 Hills D9/531
- D250,995 S * 2/1979 Beaver D9/528
- D348,612 S * 7/1994 Ring D9/531
- 5,833,115 A * 11/1998 Eiten B65D 1/0223
220/669
- D470,417 S * 2/2003 Anderson D9/531
- D480,974 S * 10/2003 Blank D9/543
- D496,855 S * 10/2004 Trude D9/543
- D755,636 S * 5/2016 Hanan D9/520
- D784,142 S * 4/2017 Blin D9/520

(**) Term: **15 Years**

(21) Appl. No.: **29/678,454**

(22) Filed: **Jan. 29, 2019**

(51) **LOC (12) Cl.** **09-01**

(52) **U.S. Cl.**
USPC **D9/531; D9/543; D9/563; D9/565**

(58) **Field of Classification Search**
USPC D9/434, 516, 522, 528, 530–531,
D9/537–538, 540–541, 543, 548, 549,
D9/550, 563, 575, 715, 719; D23/225
CPC B65D 1/00; B65D 1/02; B65D 1/0223;
B65D 23/00; B65D 23/10; B65D 23/102;
B65D 2501/00; B65D 2501/0009; B65D
2501/0081

See application file for complete search history.

(56) **References Cited**

U.S. PATENT DOCUMENTS

- D201,051 S * 5/1965 Shepler D9/531
- D203,560 S * 1/1966 Erickson et al. D9/531
- D204,701 S * 5/1966 Shepler D9/531

* cited by examiner

Primary Examiner — Dana Meyrow

(74) *Attorney, Agent, or Firm* — Eric J. Sosenko;
Jonathan P. O'Brien; Honigman LLP

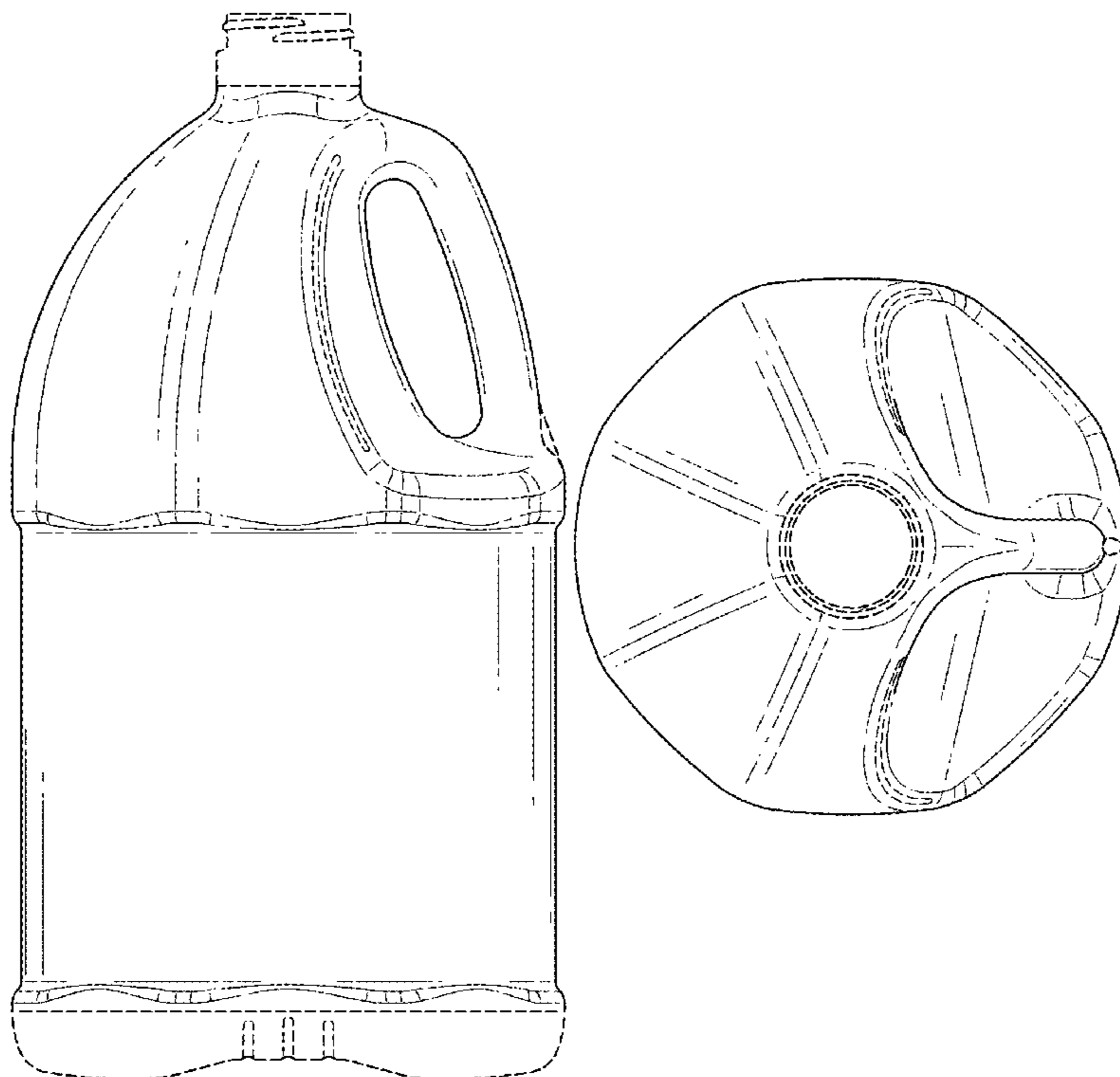
(57) **CLAIM**

We claim the ornamental design for a jug, as shown and described.

DESCRIPTION

FIG. 1 is a left side view of a jug according to the present invention;
 FIG. 2 is a right side view of the jug seen in FIG. 1;
 FIG. 3 is a front view of the jug seen in FIG. 1;
 FIG. 4 is a rear view of the jug seen in FIG. 1;
 FIG. 5 is a top view of the jug seen in FIG. 1; and,
 FIG. 6 is a bottom view of the jug seen in FIG. 1.
 The broken lines in the drawings illustrate the portions of the jug that form no part of the claimed design.
 Shade lines having a combination of long and short lines in the drawings show contour and not surface ornamentation.

1 Claim, 5 Drawing Sheets



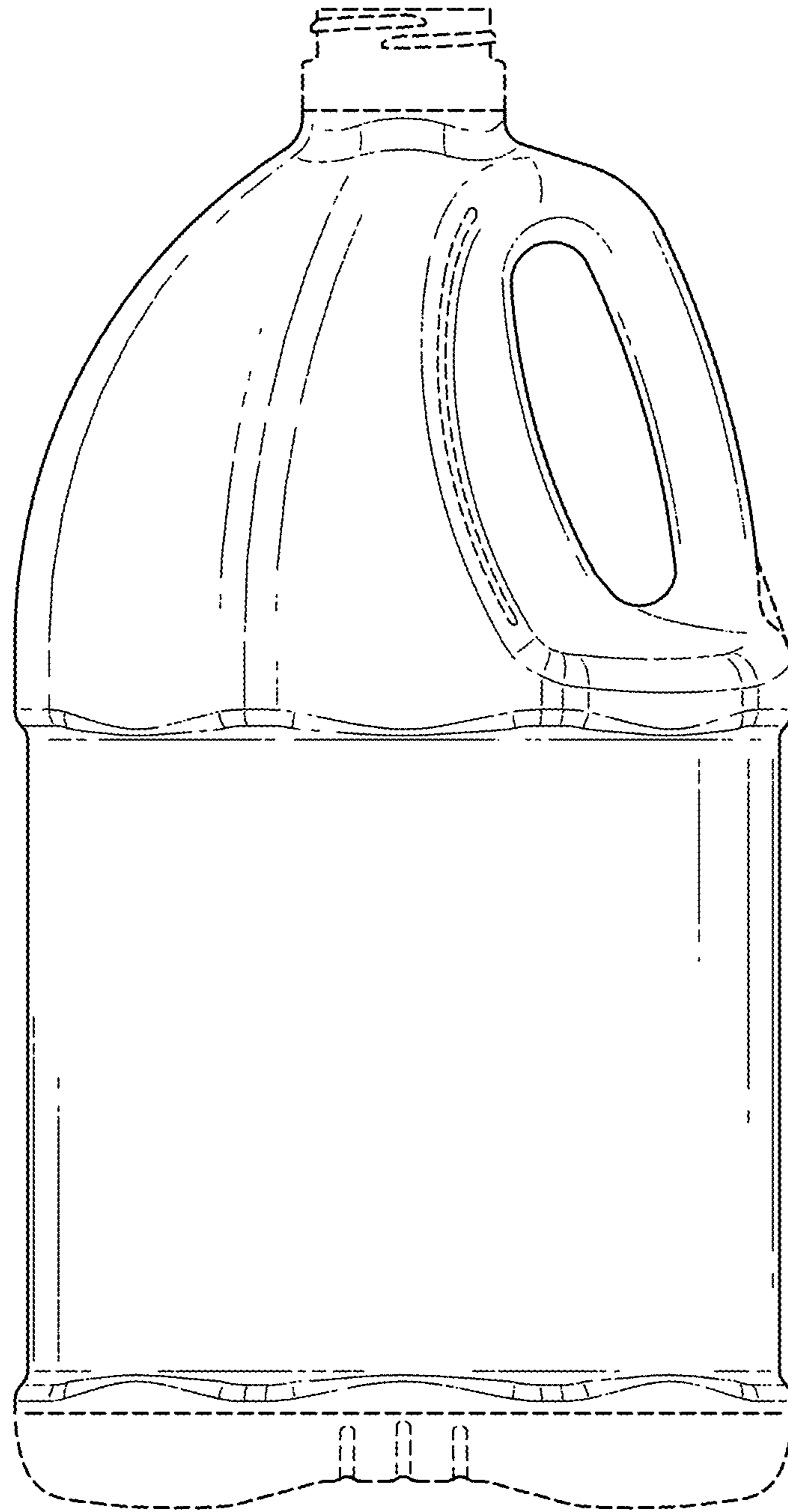


FIG. 1

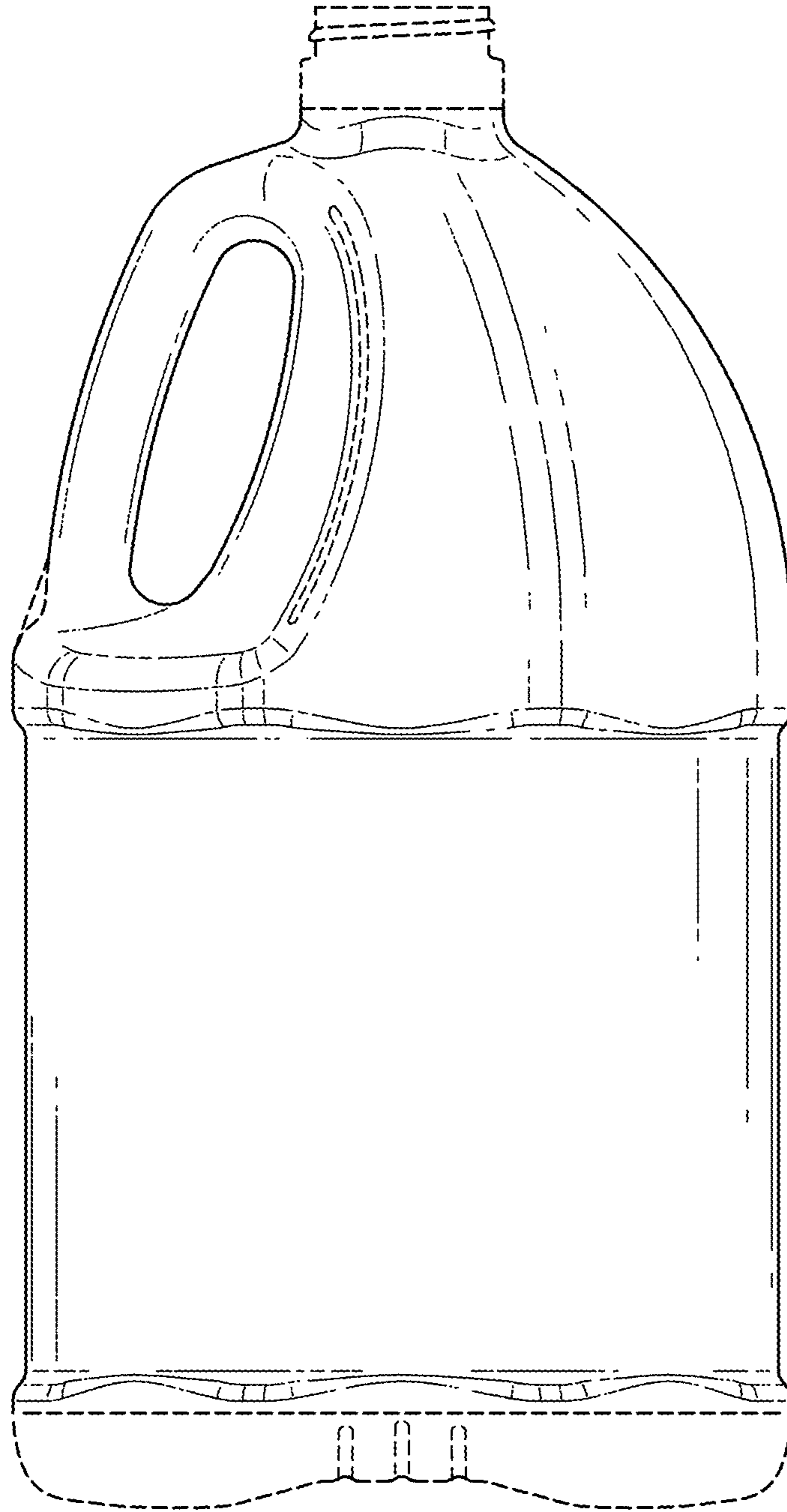


FIG. 2

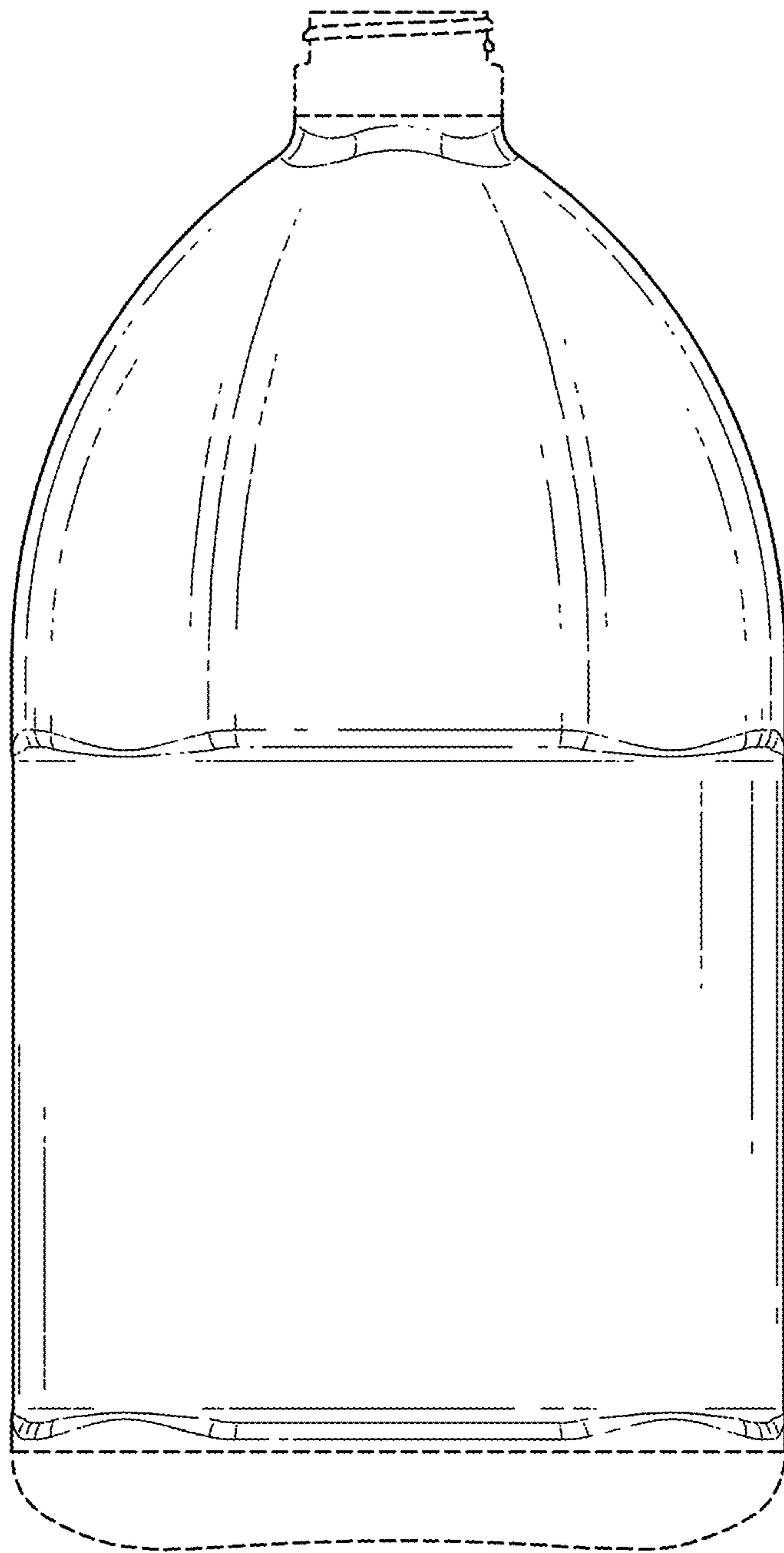


FIG. 3

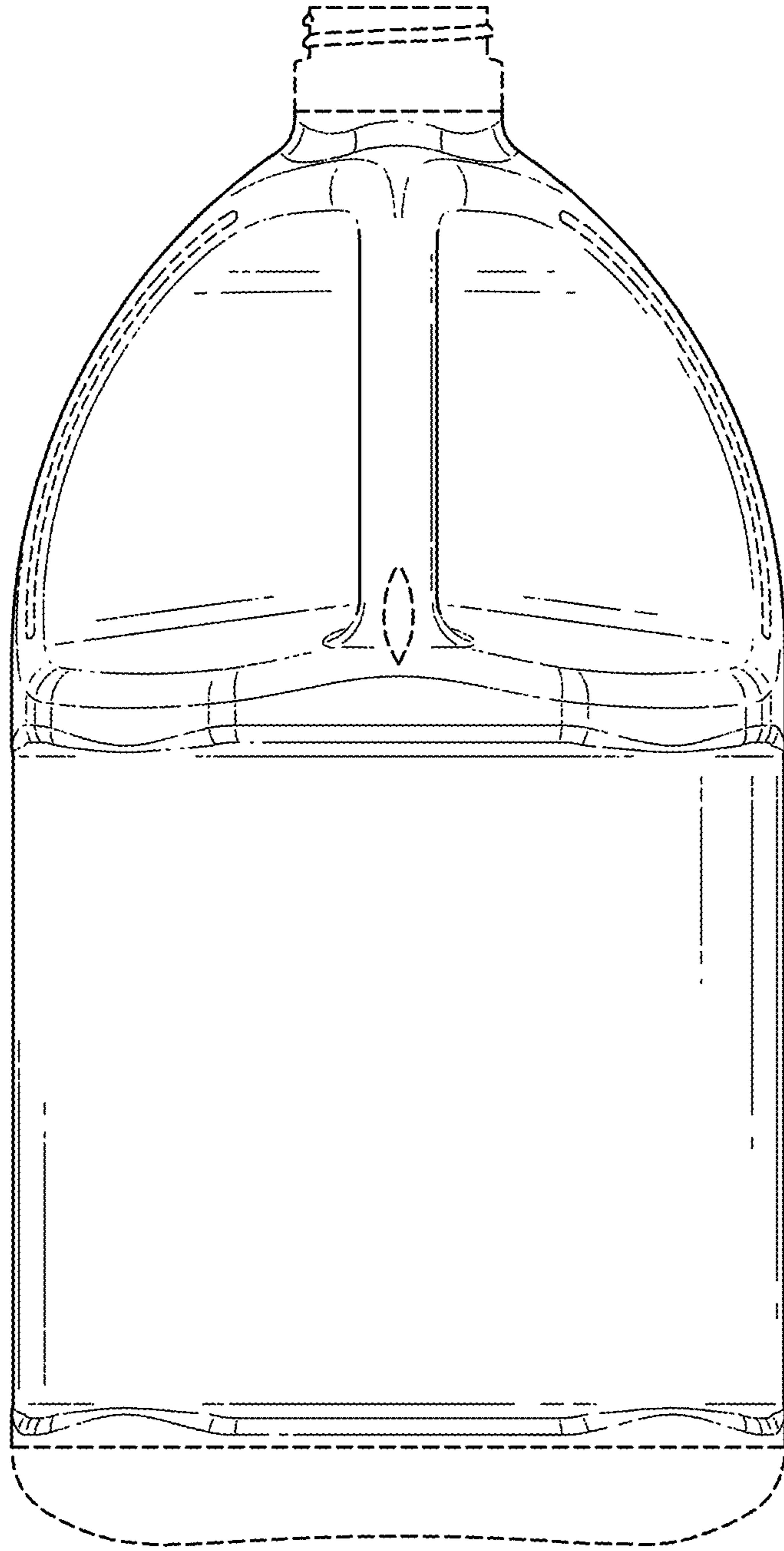


FIG. 4

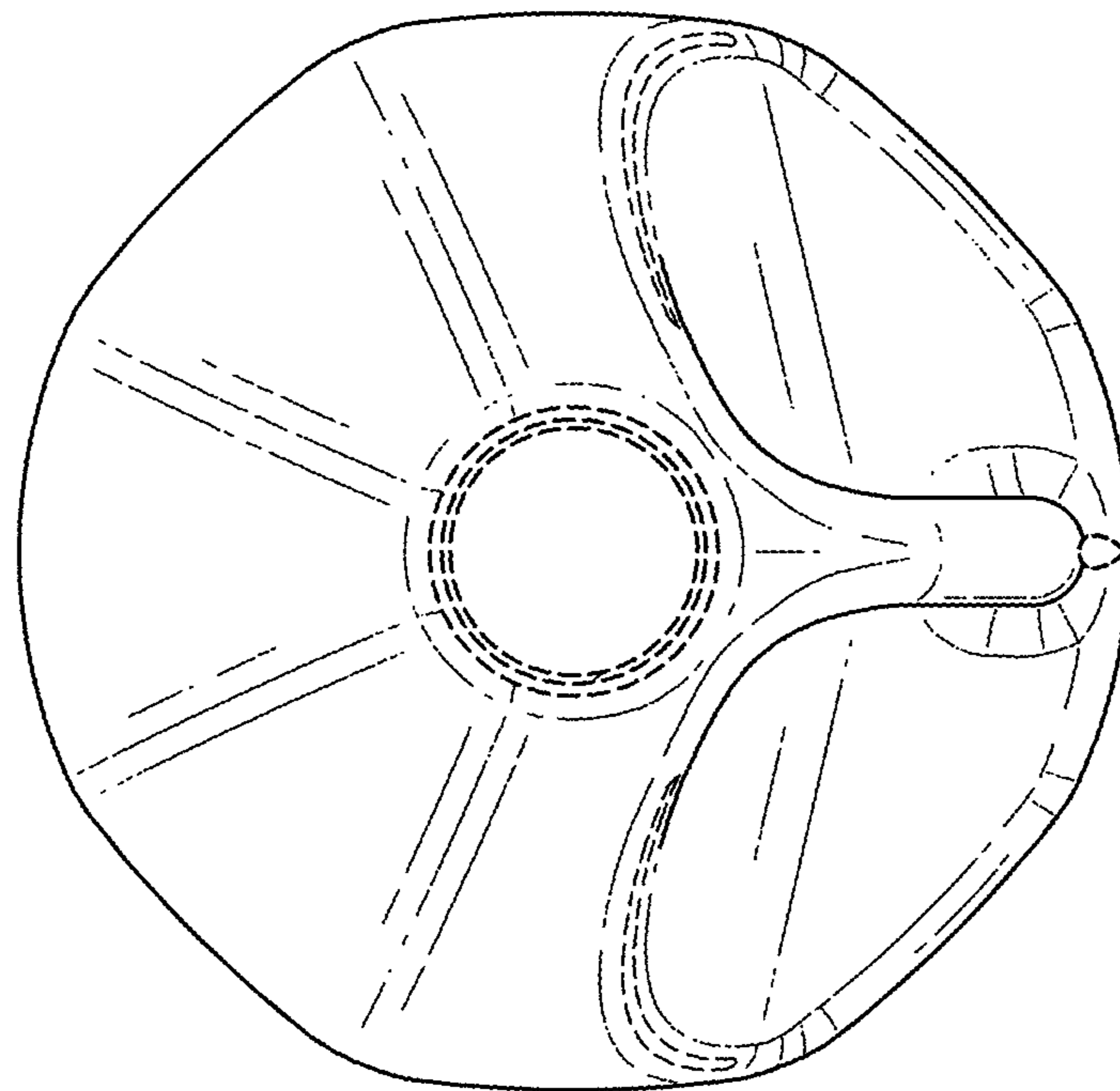


FIG. 5

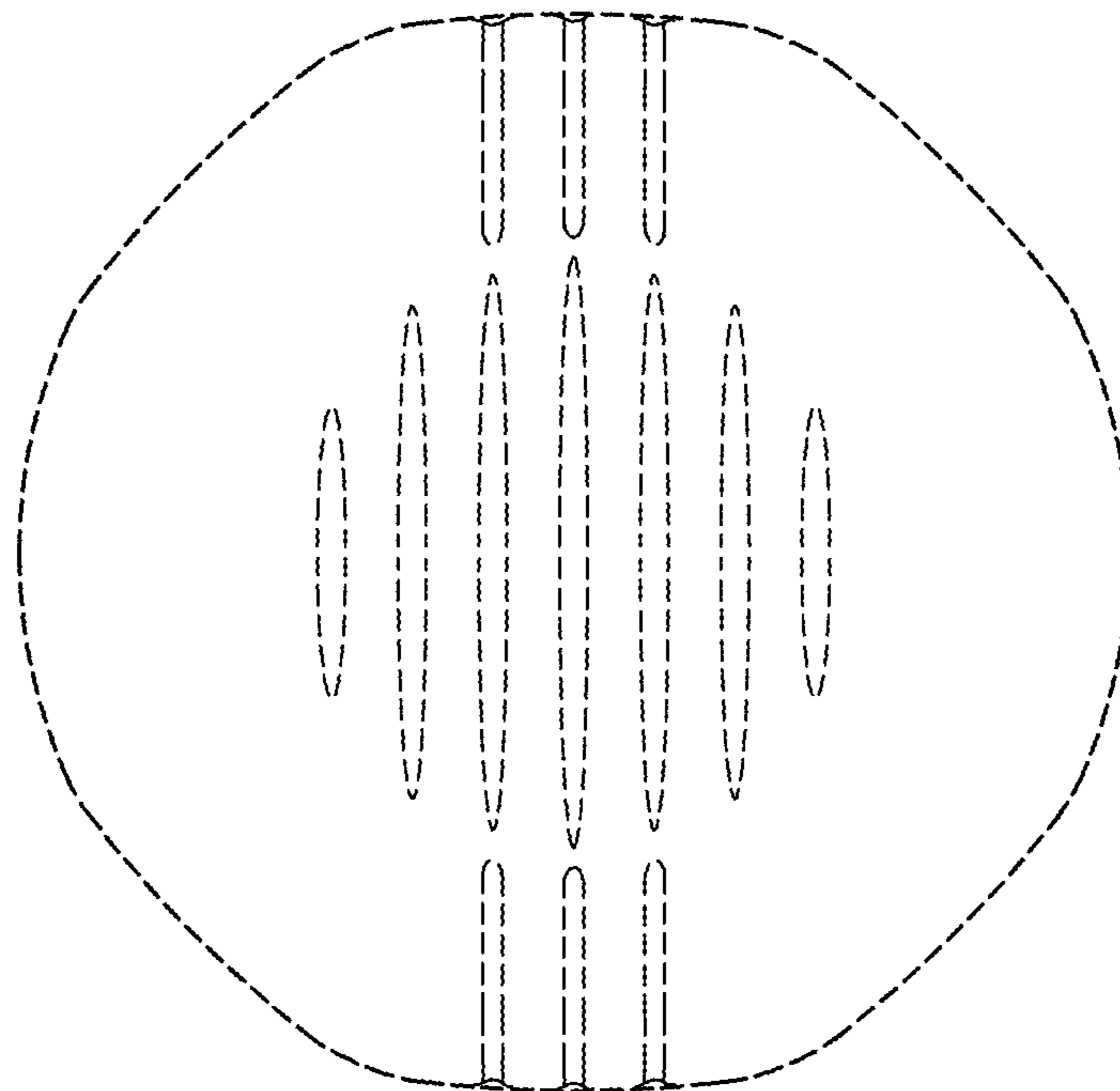


FIG. 6