



US00D869953S

(12) **United States Design Patent**
Steiger et al.

(10) **Patent No.:** **US D869,953 S**

(45) **Date of Patent:** **** Dec. 17, 2019**

(54) **BEVERAGE AND FOOD CONTAINER APPARATUS**

(71) Applicants: **Christopher J Steiger**, Henderson, NV (US); **Michael V Steiger**, Kingman, AZ (US)

(72) Inventors: **Christopher J Steiger**, Henderson, NV (US); **Michael V Steiger**, Kingman, AZ (US)

(**) Term: **15 Years**

(21) Appl. No.: **29/613,916**

(22) Filed: **Aug. 14, 2017**

(51) **LOC (12) Cl.** **09-01**

(52) **U.S. Cl.**
USPC **D9/531; D9/575**

(58) **Field of Classification Search**
USPC D9/434, 436, 440, 445, 447, 449, 453, D9/454, 516, 528, 531, 540-543, 558, D9/715, 719
CPC B65D 1/023; B65D 41/0442
See application file for complete search history.

(56) **References Cited**

U.S. PATENT DOCUMENTS

| | | | | |
|--------------|---------|------------|-------|--------|
| D409,494 S * | 5/1999 | Frazer | | D9/520 |
| D415,035 S * | 10/1999 | Ankney | | D9/531 |
| D418,423 S * | 1/2000 | Lauth, III | | D9/531 |
| D427,076 S * | 6/2000 | Ankney | | D9/531 |
| D511,462 S * | 11/2005 | Haley | | D9/531 |
| D512,320 S * | 12/2005 | Haley | | D9/531 |
| D580,768 S * | 11/2008 | Ferguson | | D9/528 |
| D625,193 S * | 10/2010 | Janney | | D9/531 |

| | | | | |
|--------------|---------|-----------|-------|--------|
| D633,393 S * | 3/2011 | Darr | | D9/531 |
| D655,175 S * | 3/2012 | Young | | D9/516 |
| D665,672 S * | 8/2012 | Randquist | | D9/531 |
| D801,819 S * | 11/2017 | Dunster | | D9/531 |
| D827,443 S * | 9/2018 | Melkonian | | D9/531 |

* cited by examiner

Primary Examiner — Ian Simmons

Assistant Examiner — Keith Frank

(74) *Attorney, Agent, or Firm* — Newman Law, LLC

(57) **CLAIM**

The ornamental design for a beverage and food container apparatus, as shown and described herein.

DESCRIPTION

FIG. 1 is a perspective view of a beverage and food container apparatus showing our new design;
 FIG. 2 is a front view of the beverage and food container apparatus shown in FIG. 1;
 FIG. 3 is a rear view of the beverage and food container apparatus shown in FIG. 1;
 FIG. 4 is a left side view of the beverage and food container apparatus shown in FIG. 1;
 FIG. 5 is a right view of the beverage and food container apparatus shown in FIG. 1;
 FIG. 6 is a top view of the beverage and food container apparatus shown in FIG. 1; and,
 FIG. 7 is a bottom view of the beverage and food container apparatus shown in FIG. 1 with the unclaimed food container of the apparatus removed.
 The broken lines illustrate portions of the beverage and food container apparatus which form no part of the claimed design.

1 Claim, 7 Drawing Sheets



FIG. 1

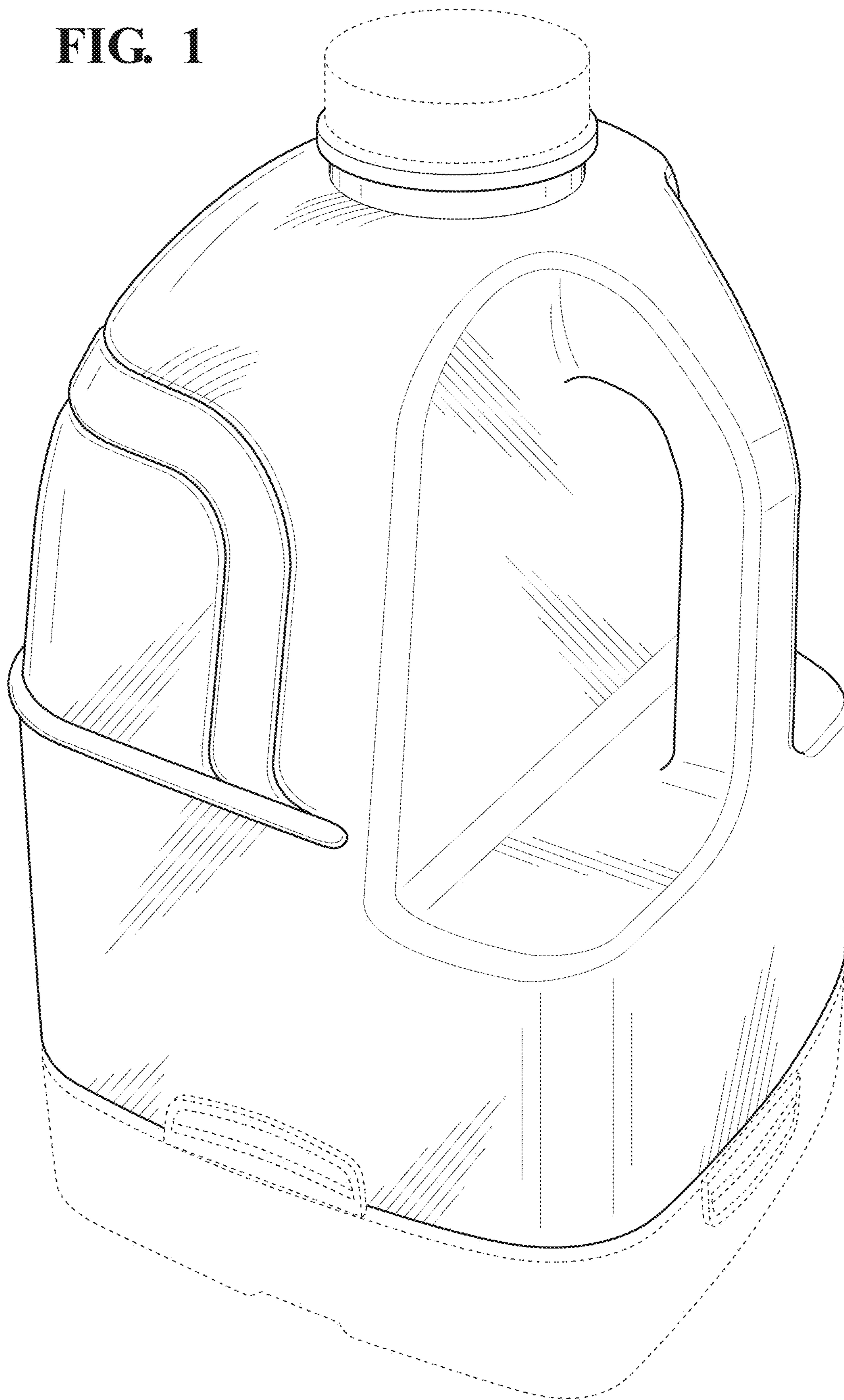


FIG. 2

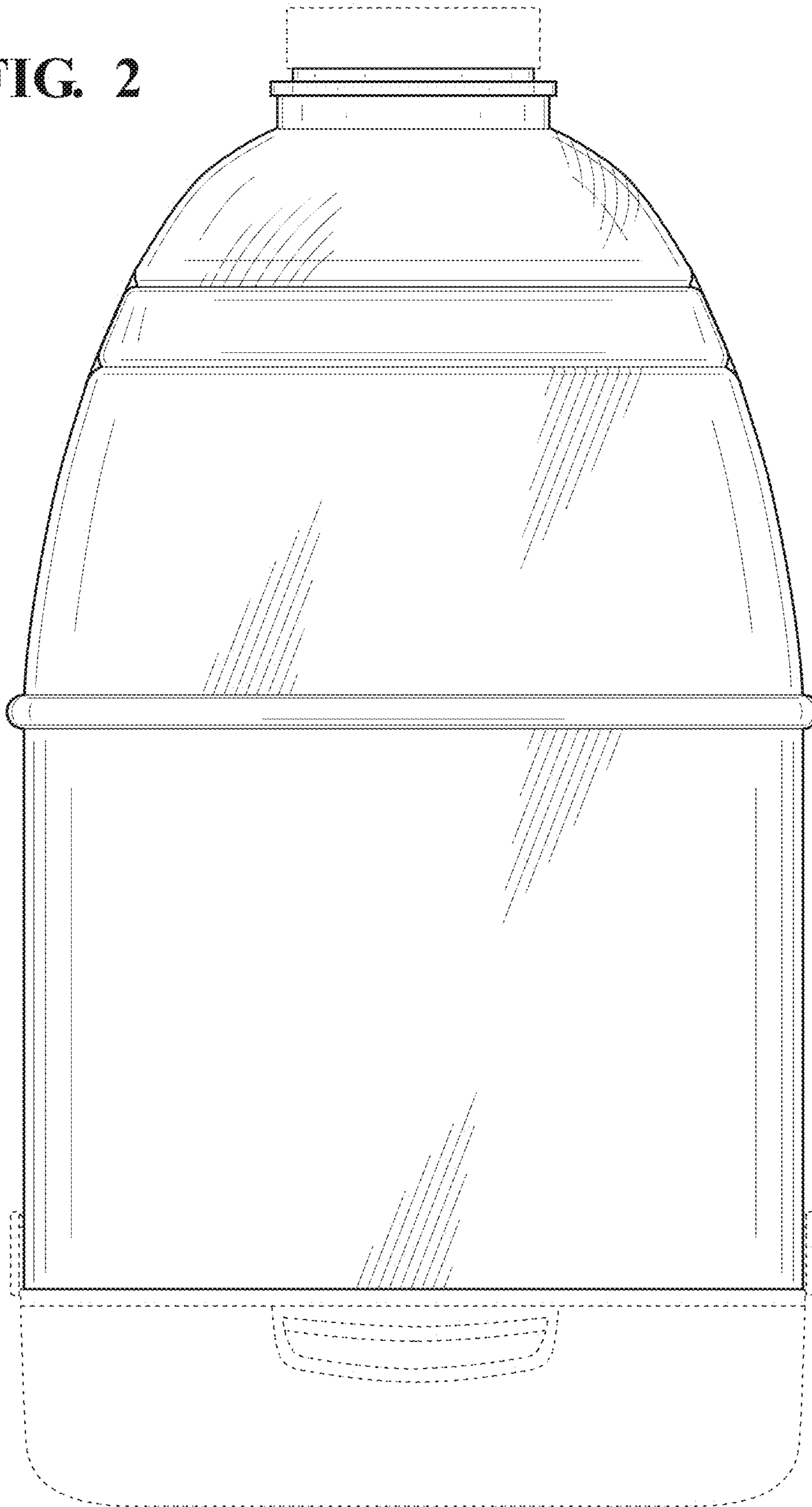


FIG. 3

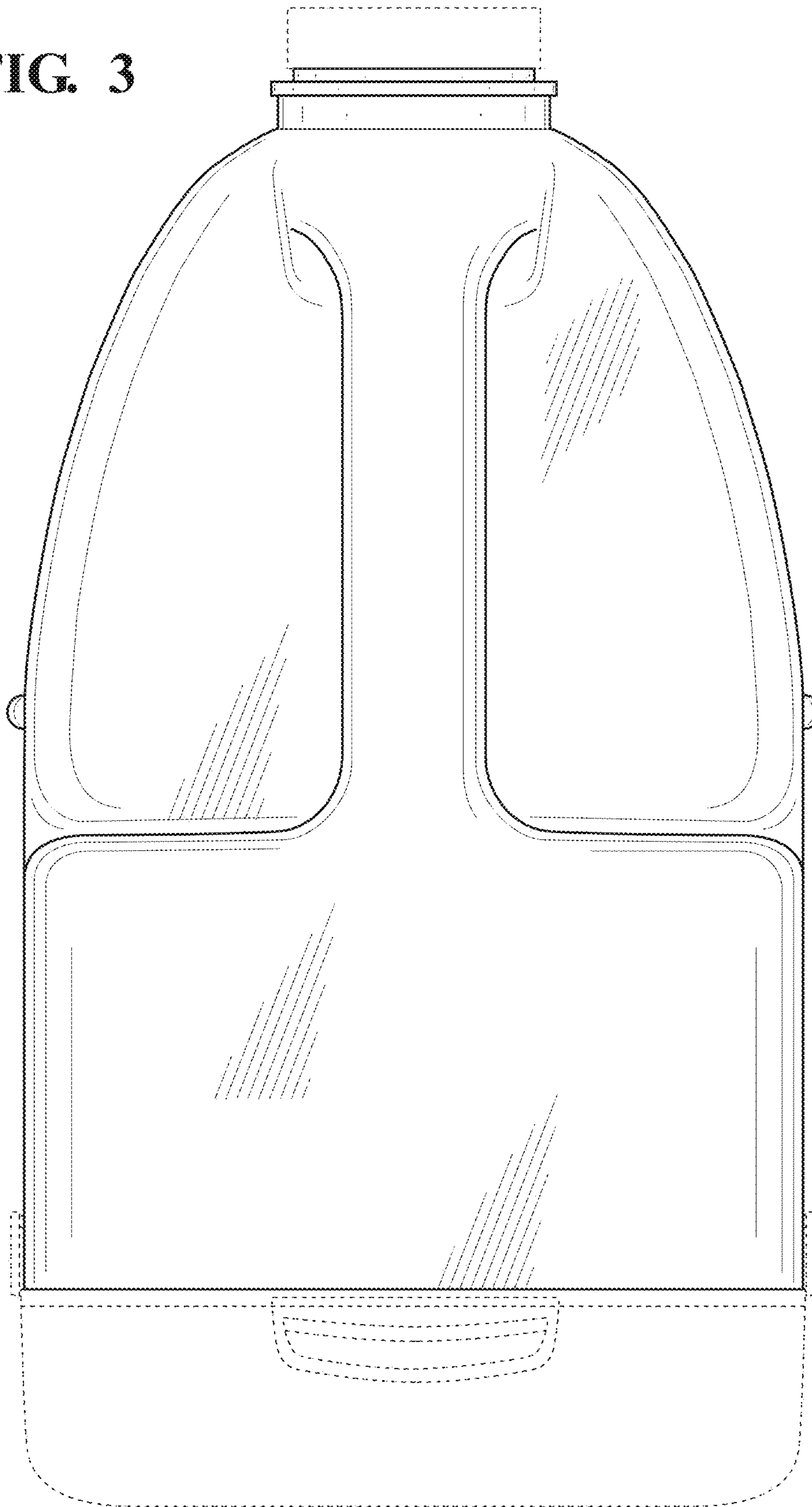


FIG. 4

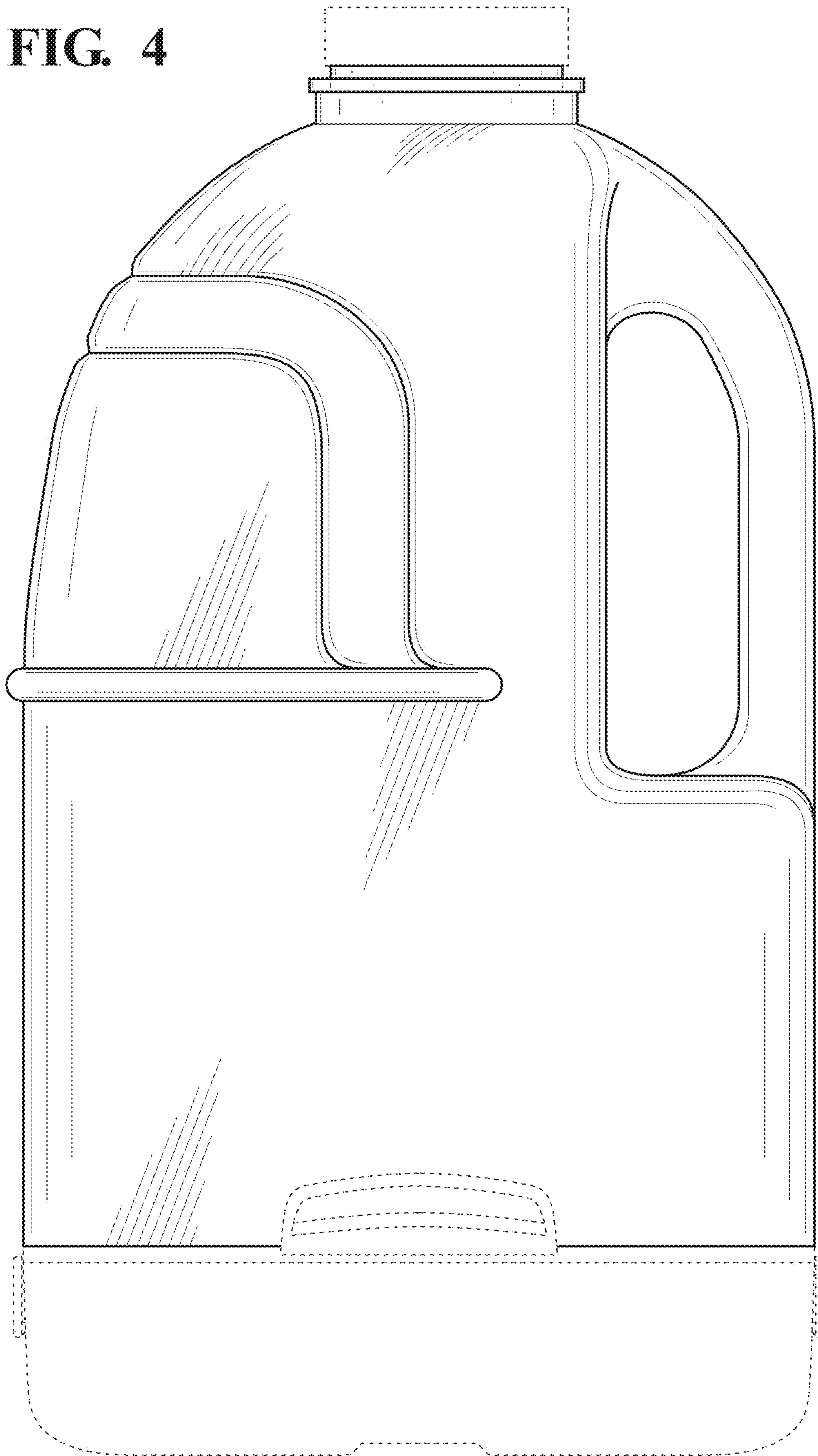
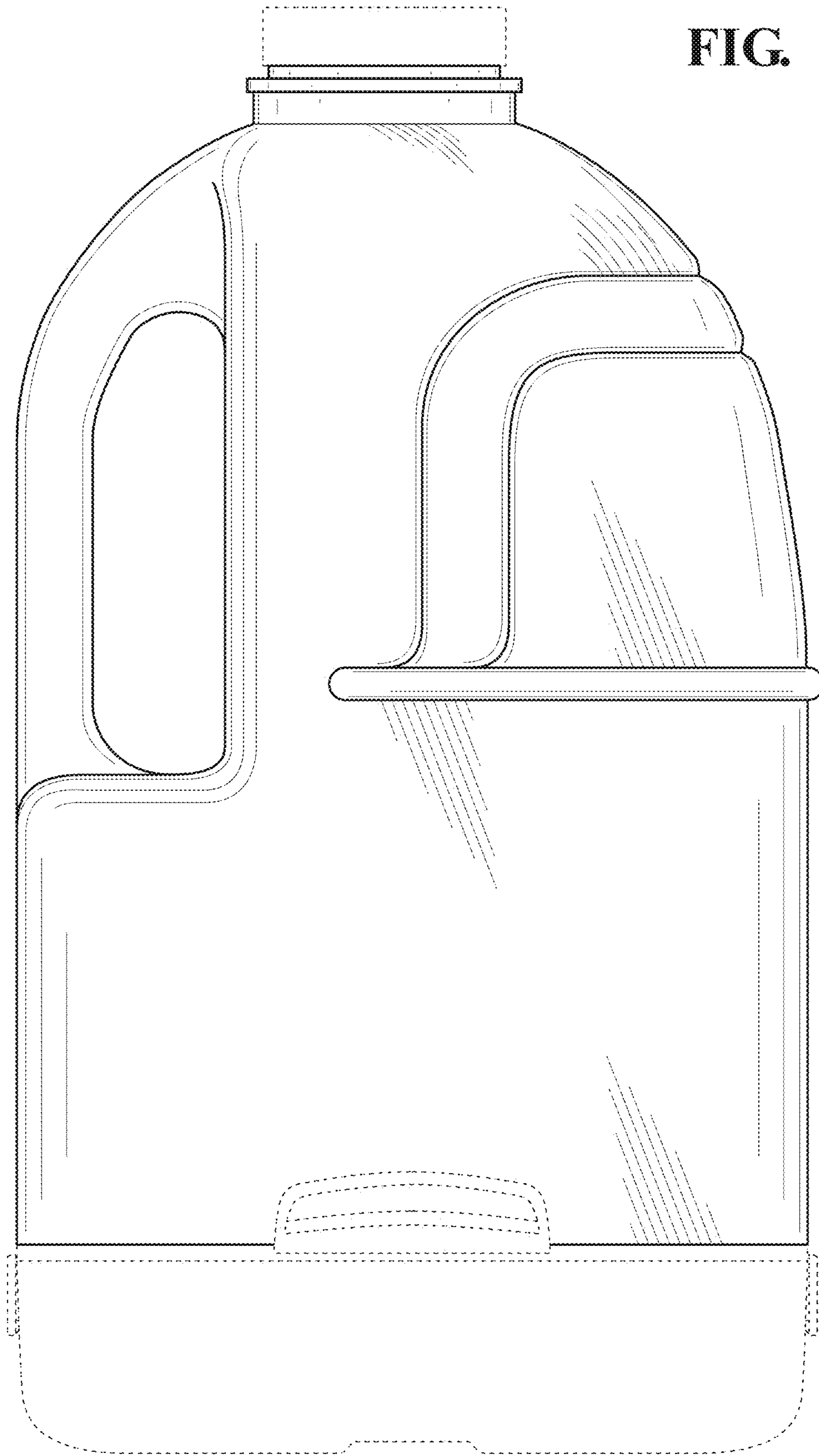


FIG. 5



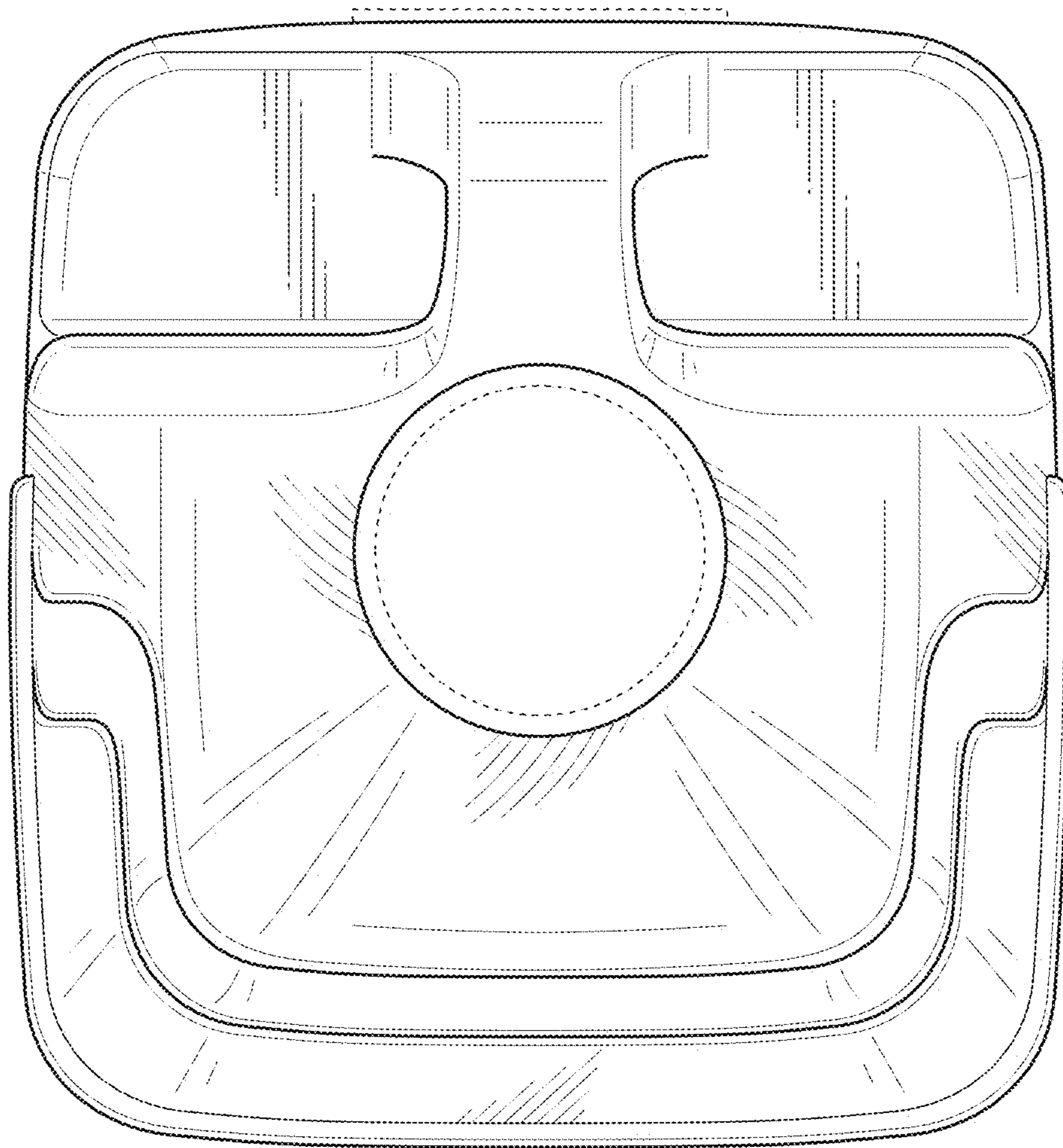


FIG. 6

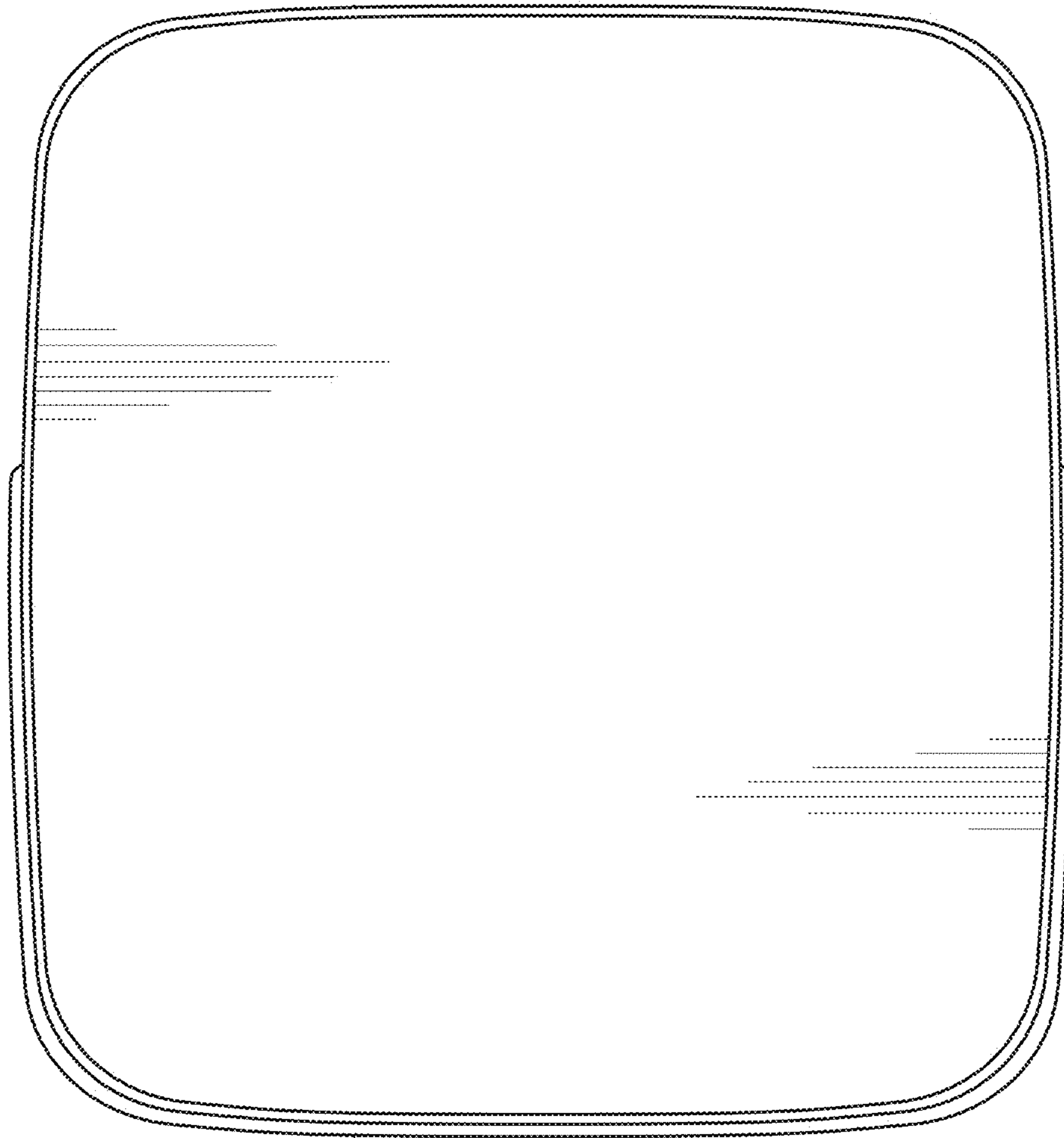


FIG. 7