



US00D869950S

(12) **United States Design Patent** (10) **Patent No.:** **US D869,950 S**
George et al. (45) **Date of Patent:** **** Dec. 17, 2019**

(54) **PACKAGE PROTECTION SYSTEM FOR WALL AND CEILING TILE**

(71) Applicant: **Tower IPCO Company Limited**,
Dublin (IE)

(72) Inventors: **Steve George**, Tigard, OR (US); **Sun Qiong**, Zhangjiagang (CN)

(73) Assignee: **Tower IPCO Company Limited** (IE)

(**) Term: **15 Years**

(21) Appl. No.: **29/632,103**

(22) Filed: **Jan. 5, 2018**

(51) **LOC (12) Cl.** **09-07**

(52) **U.S. Cl.**
USPC **D9/456**

(58) **Field of Classification Search**

USPC D6/300, 308, 546, 672, 675, 678.2;
D7/300, 305, 306, 307, 308, 312, 313,
D7/391, 397, 541, 550.1, 553.1, 553.2,
D7/553.3, 555.589, 590, 601, 602, 701;
D9/414, 415, 418, 420, 424, 425, 426,
D9/430, 432, 433, 434, 455, 456, 457,
D9/499, 721, 722, 737, 756, 759, 760,

(Continued)

(56) **References Cited**

U.S. PATENT DOCUMENTS

1,524,154 A * 1/1925 Schenck B65D 57/00
217/53
D244,511 S * 5/1977 Frisbey D9/432

(Continued)

FOREIGN PATENT DOCUMENTS

JP 2013159395 A * 8/2013 B65D 19/44
WO WO-2013118808 A1 * 8/2013
WO WO-2014112508 A1 * 7/2014 B65D 19/02

OTHER PUBLICATIONS

Slotted Edge Protector: Announced Jul. 7, 2016 [online]. Site Visited [Sep. 4, 2019]. Available from Internet URL: <http://www.texasfoam.com/products/ce-005-12-slotted-edge-protector>.*

(Continued)

Primary Examiner — Jennifer Rivard

Assistant Examiner — Catherine S Posthauer

(74) *Attorney, Agent, or Firm* — Rodman & Rodman

(57) **CLAIM**

The ornamental design for a package protection system for wall and ceiling tile, as shown and described.

DESCRIPTION

FIG. 1 is a top right perspective view of a package protection system for wall and ceiling tile, showing our new design in a position of use with exemplary wall and ceiling tiles and placed within an exemplary package;

FIG. 2 is a top right perspective view thereof, shown in an alternate position of use with the exemplary package and wall and ceiling tiles;

FIG. 3 is a top right side perspective view thereof, shown in an alternate position of use with the exemplary package and wall and ceiling tiles;

FIG. 4 is a left side view thereof;

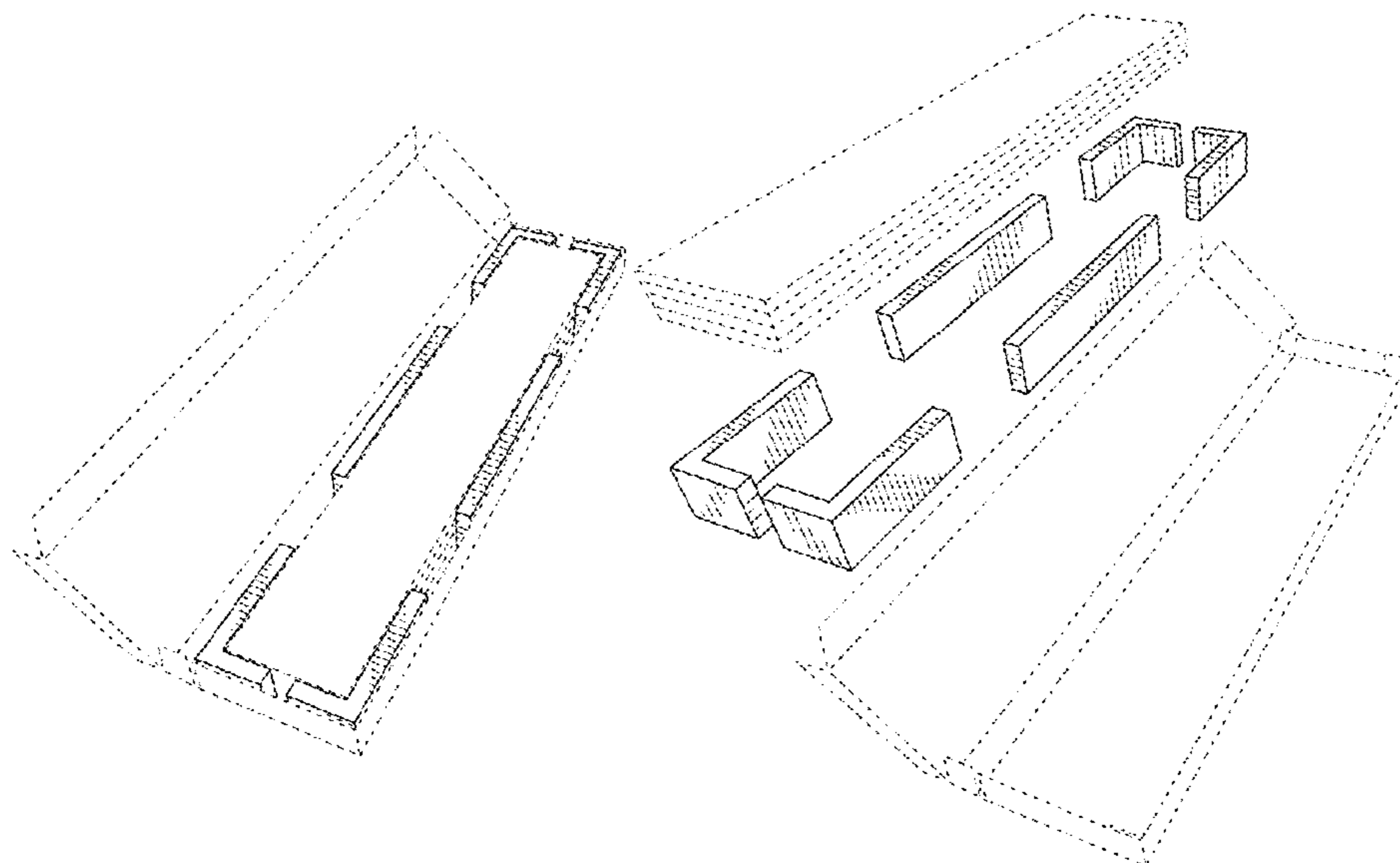
FIG. 5 is a top plan view thereof, showing the exemplary package removed to show aspects of the design not visible when combined, and shown in a position of use with the exemplary wall and ceiling tiles, the bottom plan view being a mirror image thereof;

FIG. 6 is a side view of either side of FIG. 5; and,

FIG. 7 is an end view of either end of FIG. 5.

The broken lines are shown for the purpose of illustrating environmental subject matter of an exemplary package and exemplary wall and ceiling tiles and form no part of the claimed design.

1 Claim, 5 Drawing Sheets



US D869,950 S

Page 2

(58) **Field of Classification Search**

USPC D9/761, 612, 653, 661, 667, 674; D19/3, D19/75, 107; D20/11, 14, 19, 21, 22, 27, D20/40, 42, 43, 44; D14/300, 308, 313, D14/314, 348-356, 441-446, 489, 491, D14/492, 494, 495; D25/124, 126, 119, D25/122, 136; D34/38

CPC A47J 47/20; B65D 21/083; B65D 21/086; B65D 57/00; B65D 61/02; B65D 81/133; B65D 81/054; B65D 5/01; B65D 5/02; B65D 5/0254; B65D 5/0045; B65D 5/18; B65D 5/2033; B65D 5/38; B65D 5/40; B65D 5/48038; B65D 5/48032; B65D 5/48004; B65D 1/24; B65D 1/34; B65D 1/38; B65D 1/335; B65D 77/24; B65D 77/067; B65D 5/00-02; B65D 5/0209-0272; B65D 5/029; B65D 5/72; B65D 5/541; B65D 5/705; B65D 5/706; B65D 5/727; B65D 5/4204; B65D 1/00; B65D 1/02; B65D 1/0233; B65D 1/22; B65D 1/32; B65D 1/36; B65D 1/40; B65D 1/225; B65D 23/00; B65D 23/12; B65D 23/14; B65D 2543/00296; B65D 15/08; B65D 65/22; B65D 2581/055; A47L 13/00; A47L 13/10; A47L 13/12; A47L 13/16; A47L 13/17; A47L 13/18

See application file for complete search history.

(56) **References Cited**

U.S. PATENT DOCUMENTS

D266,380 S * 10/1982 Ploeger D6/300
5,161,692 A * 11/1992 Knierim B65D 5/32
206/320

D454,965 S * 3/2002 Forbis D25/126
D636,622 S * 4/2011 Quinter D6/595
8,256,193 B1 * 9/2012 Tsengas B65D 83/0894
206/299
D713,165 S * 9/2014 Robinson D6/391
D725,391 S * 3/2015 Valois D6/300
9,243,415 B1 * 1/2016 Claeys B65D 1/34
D804,194 S * 12/2017 Thams D6/300
2007/0205117 A1 * 9/2007 Kong B65D 81/113
206/96
2012/0006831 A1 * 1/2012 Kano B29C 44/58
220/600
2013/0299375 A1 * 11/2013 Chen B29C 33/48
206/454
2014/0109450 A1 * 4/2014 Valois A47G 1/065
40/711
2015/0151870 A1 * 6/2015 Shin B65D 1/34
206/557
2017/0081105 A1 * 3/2017 Gill B65D 81/054
2018/0310688 A1 * 11/2018 Lin A45D 33/003
2019/0210784 A1 * 7/2019 George B65D 81/054

OTHER PUBLICATIONS

Corner Foam Protector: Announced Nov. 1, 2009 [online]. Site Visited [Sep. 4, 2019]. Available from Interent URL: https://www.uline.com/Product/Detail/S-6064/Protectors/3-5-8-x-3-x-2-Foam-Corner-Protectors.*

Un-Boxing a Photo: Announced [Jun. 23, 2009 (online)]. Site Visited [Sep. 4, 2019]. Available from Internet URL: https://dgrin.com/discussion/134946/imagekind-un-boxing.*

* cited by examiner

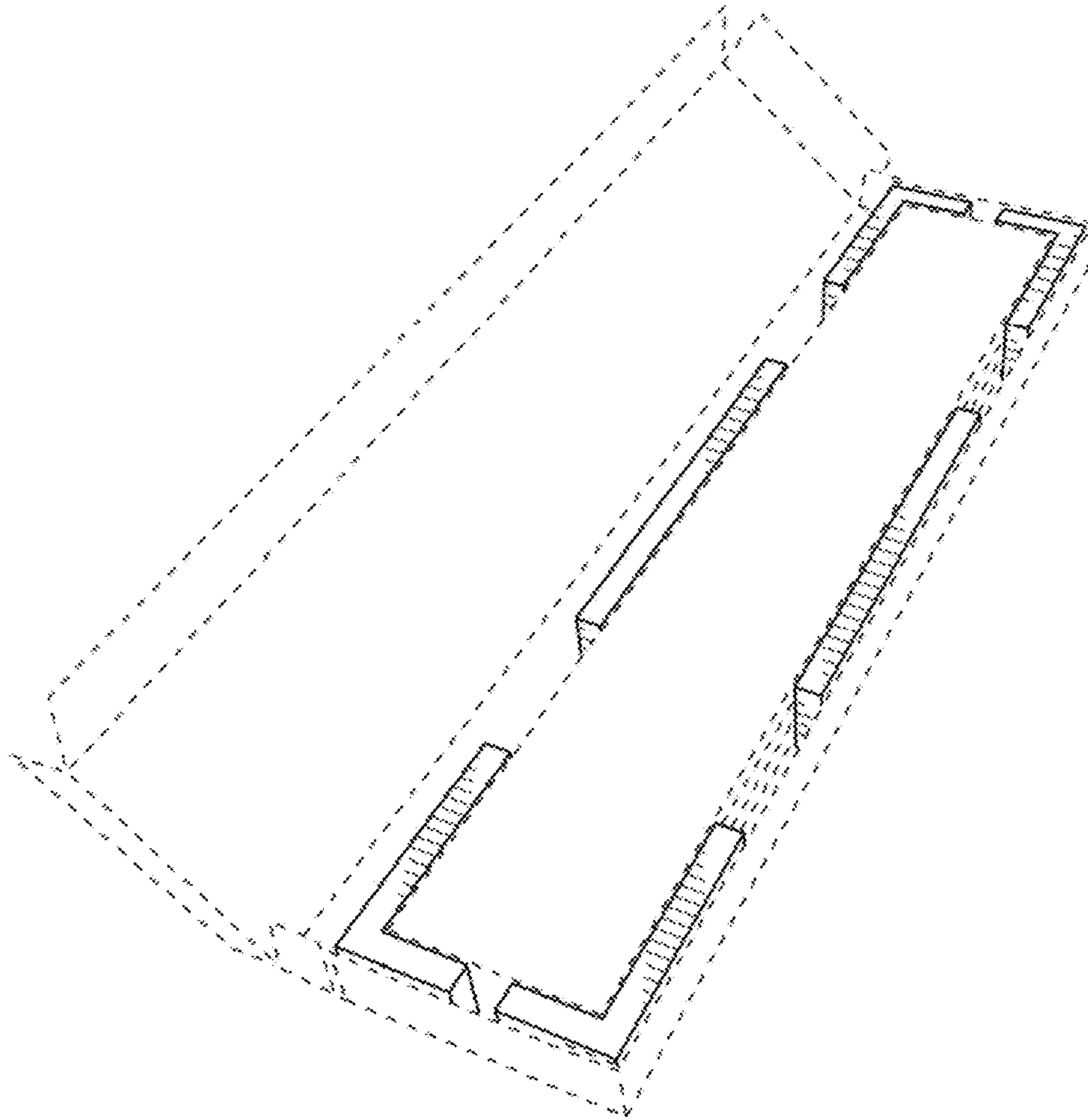


FIG. 1

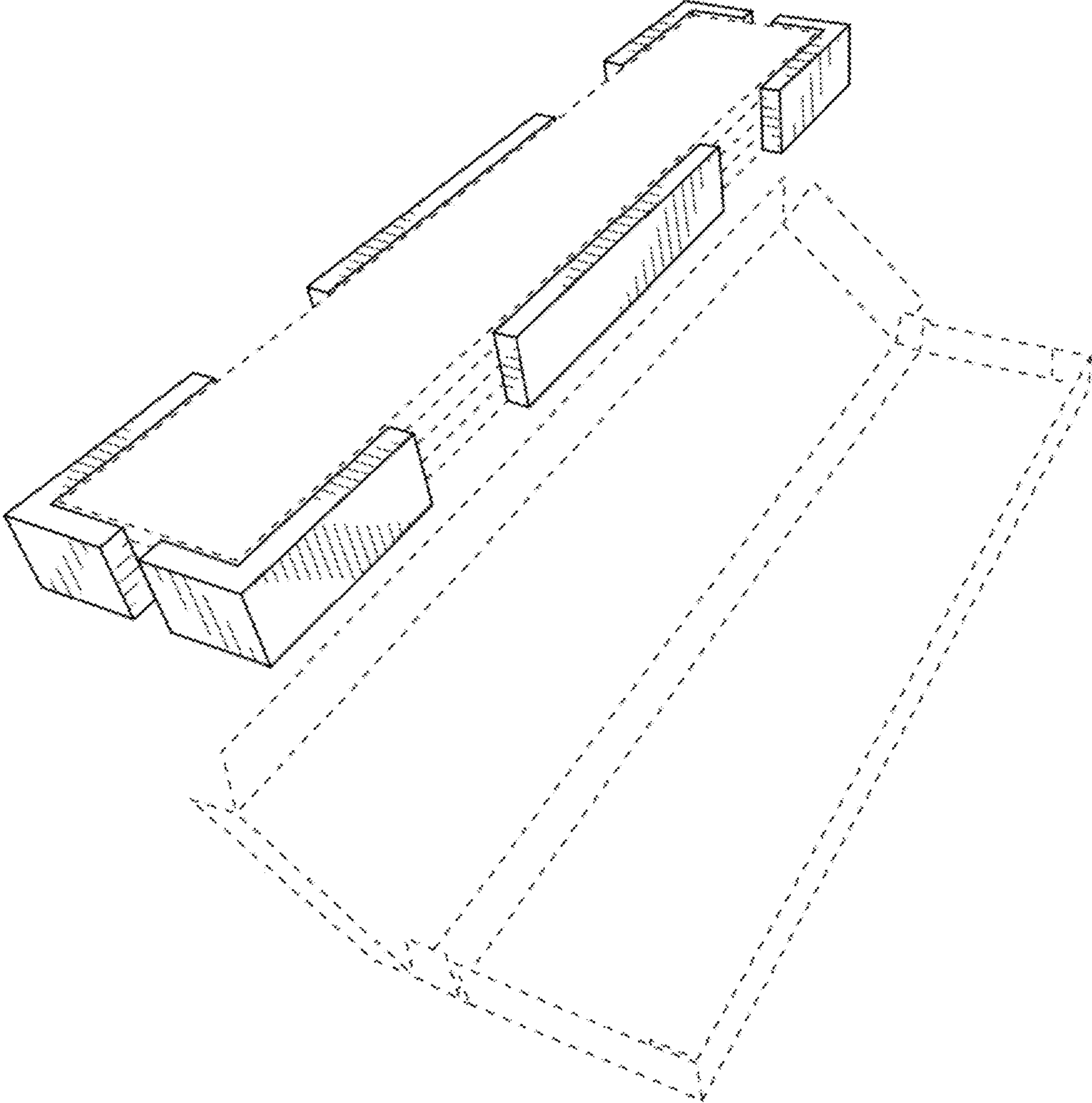


FIG. 2

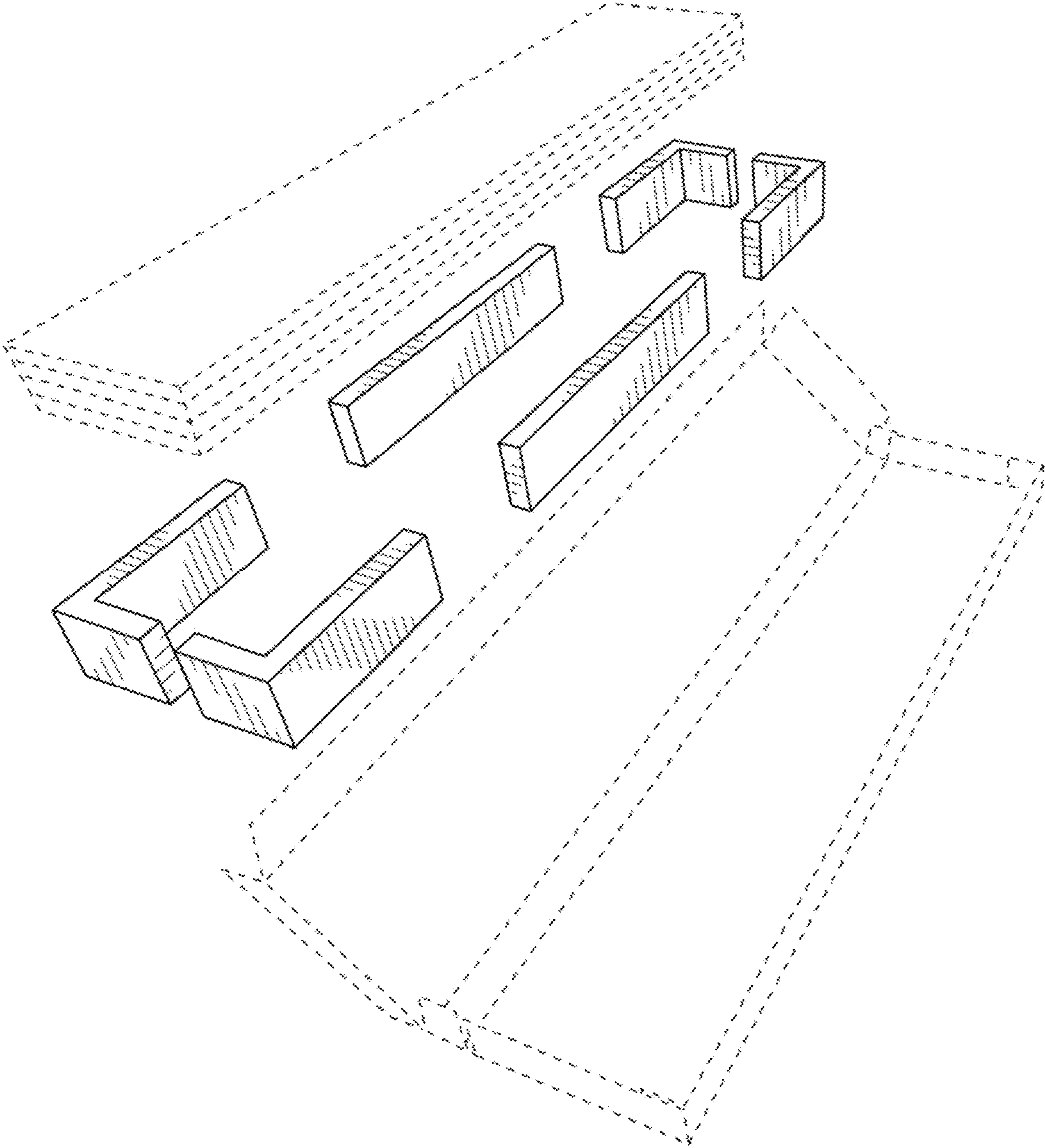


FIG. 3

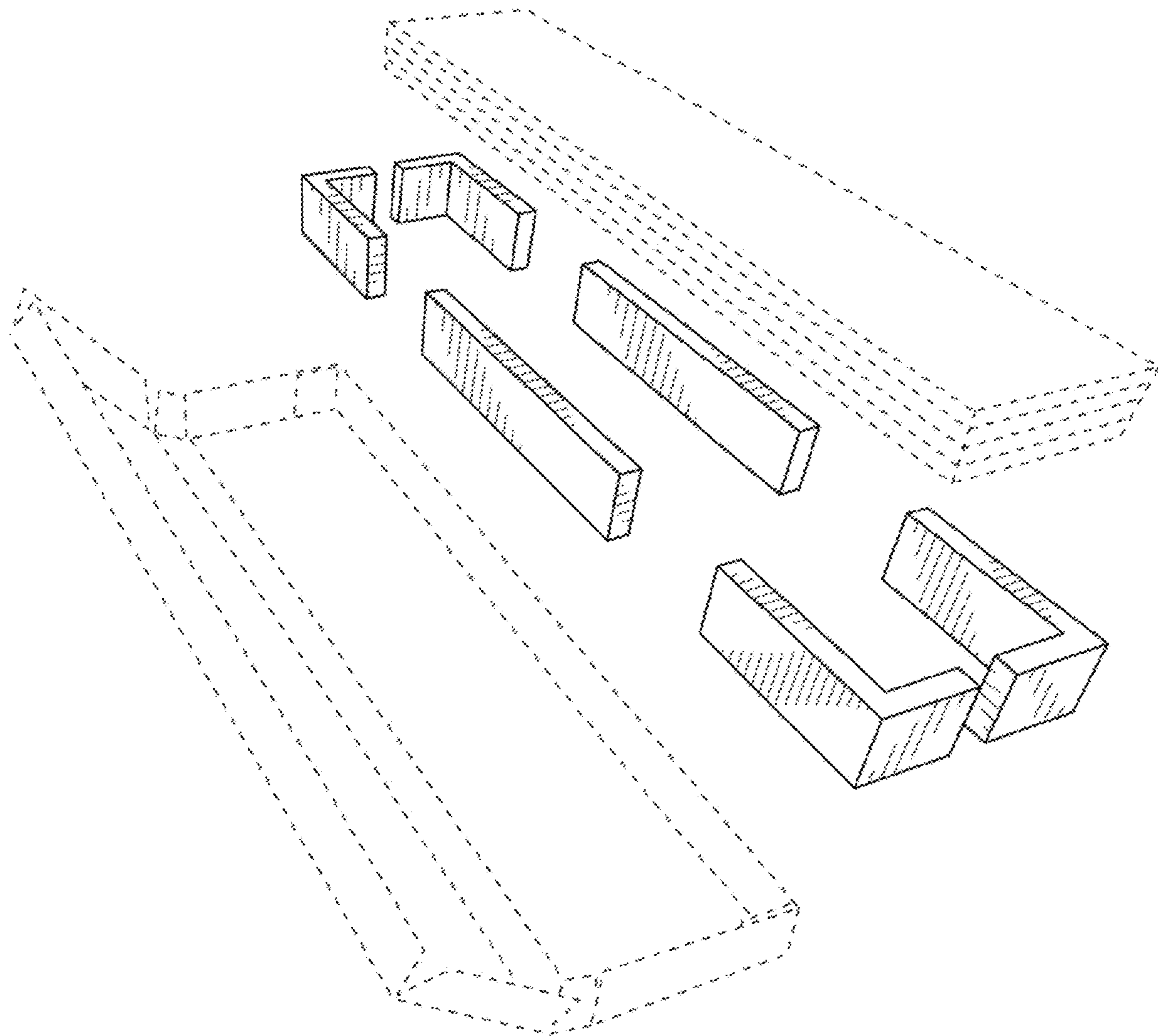


FIG. 4

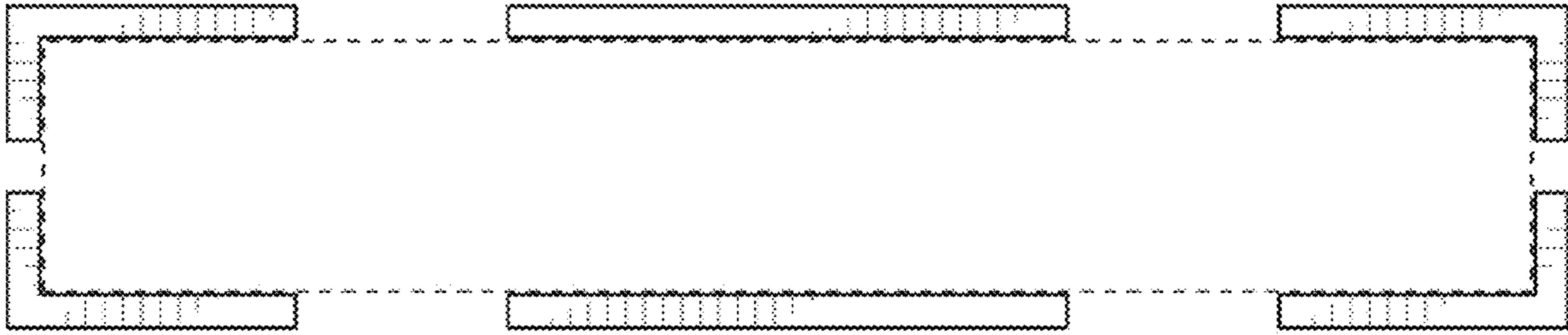


FIG. 5

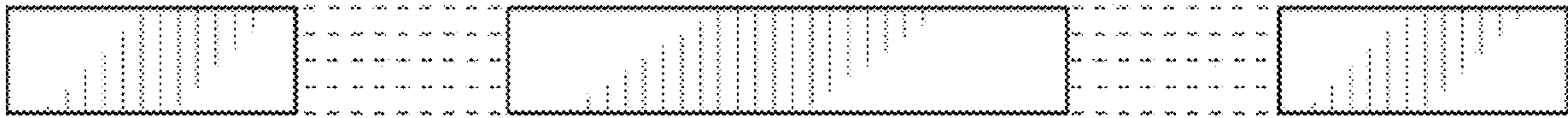


FIG. 6



FIG. 7