



US00D869948S

(12) **United States Design Patent** (10) **Patent No.:** **US D869,948 S**
Hwang (45) **Date of Patent:** **** Dec. 17, 2019**

(54) **WINE STOPPER**

(71) Applicant: **In Kyu Hwang**, Chestnut Hill, MA (US)

(72) Inventor: **In Kyu Hwang**, Chestnut Hill, MA (US)

(**) Term: **15 Years**

(21) Appl. No.: **29/642,649**

(22) Filed: **Mar. 30, 2018**

(51) **LOC (12) Cl.** **07-01**

(52) **U.S. Cl.**
USPC **D9/439; D9/441; D7/392**

(58) **Field of Classification Search**
USPC **D7/392, 392.1; D9/439, 441**
CPC **B65D 8/2076; G01F 11/26**
See application file for complete search history.

(56) **References Cited**

U.S. PATENT DOCUMENTS

D153,300 S *	4/1949	McDonald	D9/439
3,263,872 A *	8/1966	Verona	G01F 11/266
				222/416
D280,294 S *	8/1985	Resnick	D9/441
D338,618 S *	8/1993	Berkeley	D9/441
D768,483 S *	10/2016	Collicott	D9/441
2015/0259186 A1 *	9/2015	Haley	B67C 3/16
				53/432

FOREIGN PATENT DOCUMENTS

KR 30-0862919 S 7/2016

* cited by examiner

Primary Examiner — Marianne N Pandozzi

(74) *Attorney, Agent, or Firm* — Novick, Kim & Lee, PLLC; Sang Ho Lee; Hyun Woo Shin

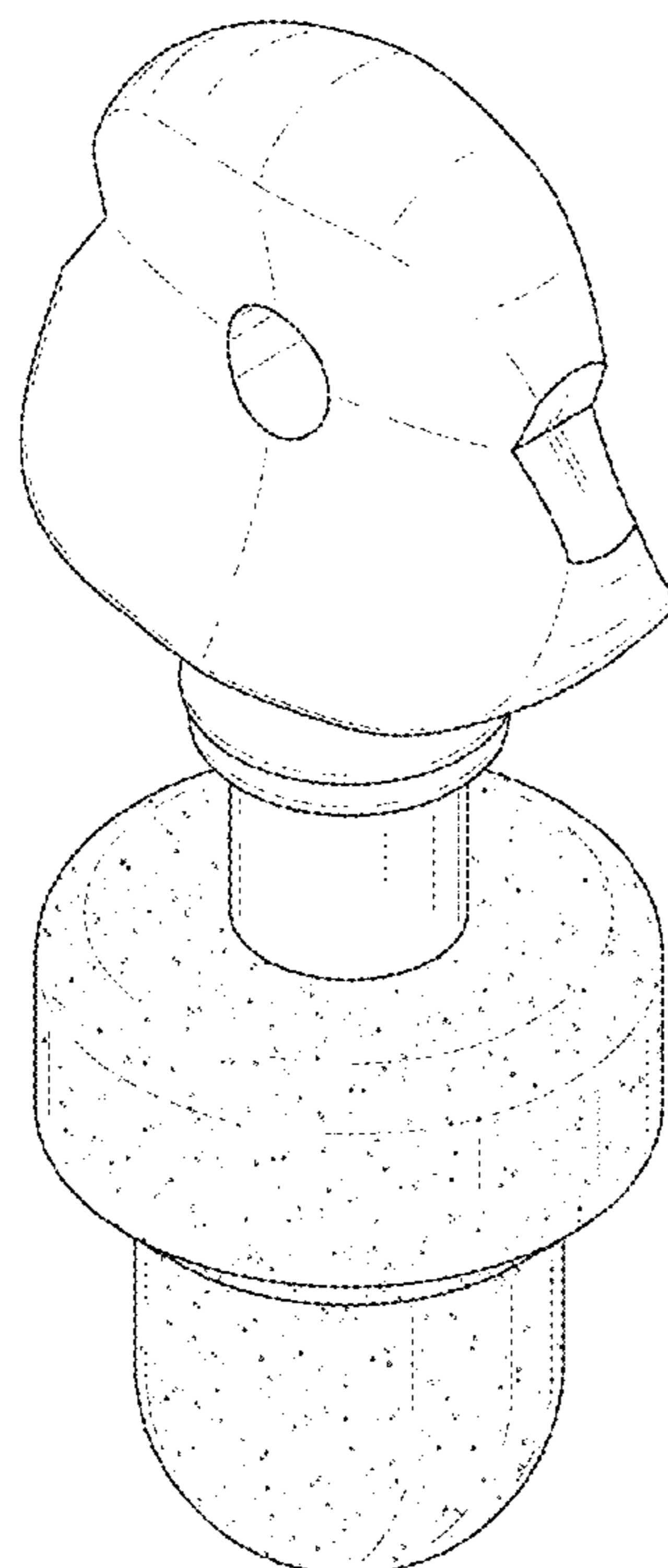
(57) **CLAIM**

I claim the ornamental design for a wine stopper, as shown and described.

DESCRIPTION

FIG. 1 is a perspective view of a first embodiment of a wine stopper, showing my new design;
FIG. 2 is a front elevational view thereof;
FIG. 3 is a rear elevational view thereof;
FIG. 4 is a left side elevational view thereof;
FIG. 5 is a right side elevational view thereof;
FIG. 6 is a top plan view thereof;
FIG. 7 is a bottom plan view thereof;
FIG. 8 is a perspective view of a second embodiment of the wine stopper;
FIG. 9 is a front elevational view thereof;
FIG. 10 is a rear elevational view thereof;
FIG. 11 is a left side elevational view thereof;
FIG. 12 is a right side elevational view thereof;
FIG. 13 is a top plan view thereof; and,
FIG. 14 is a bottom plan view thereof.
The broken lines shown in the drawings show portions of the wine stopper which form no part of the claimed design.

1 Claim, 12 Drawing Sheets



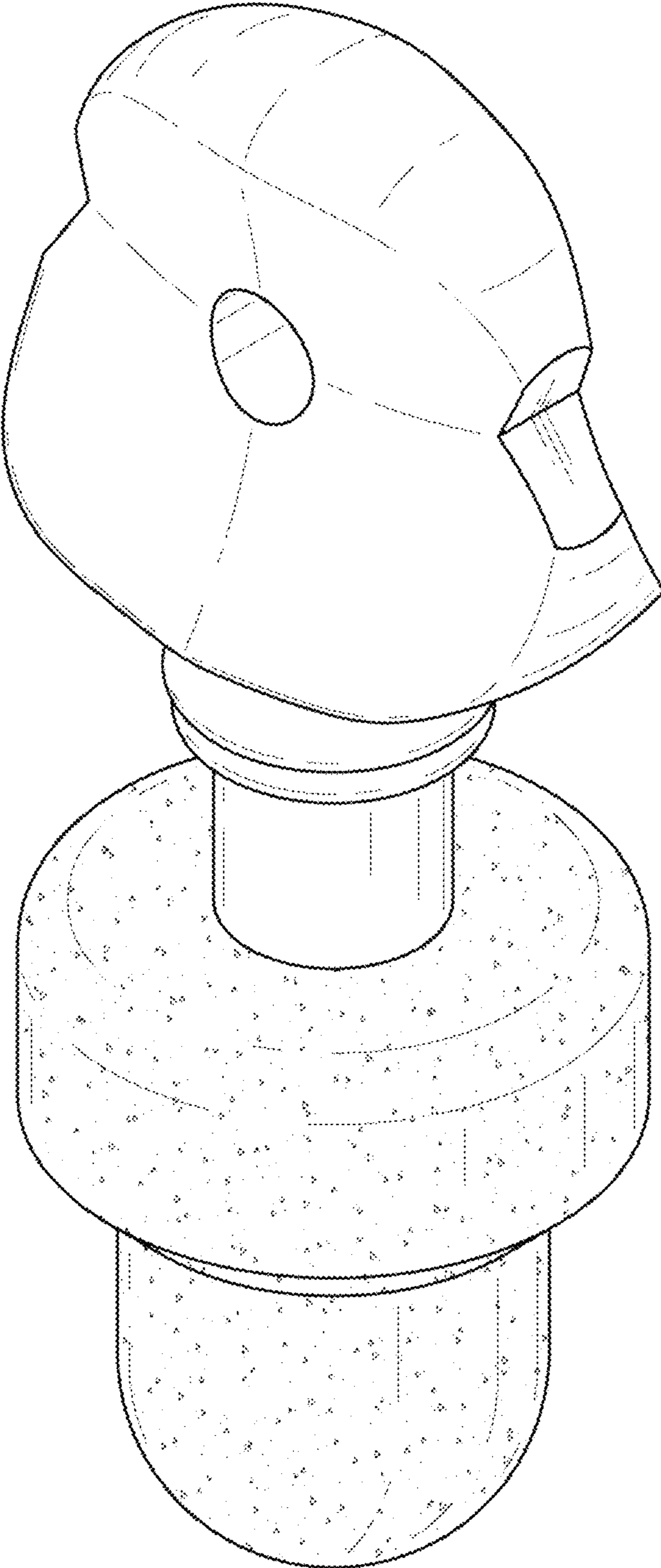


FIG. 1

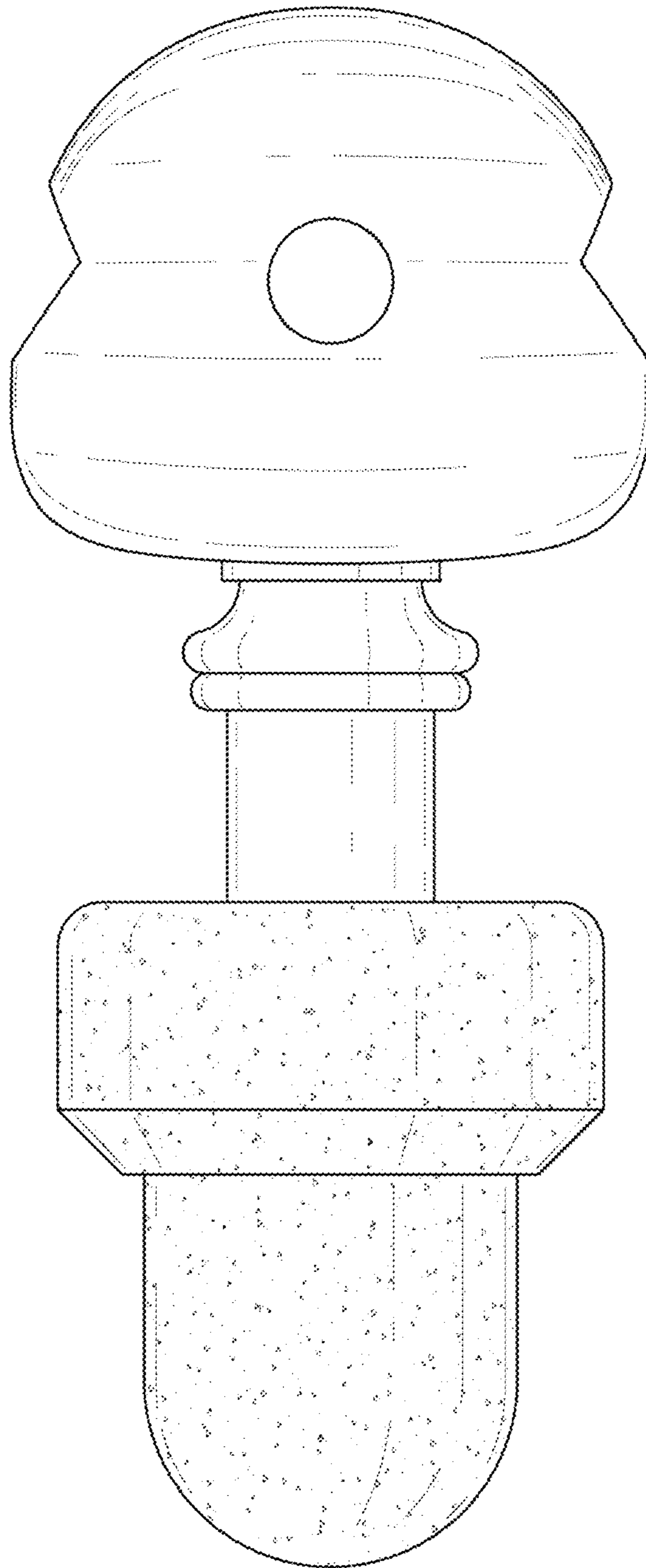


FIG. 2

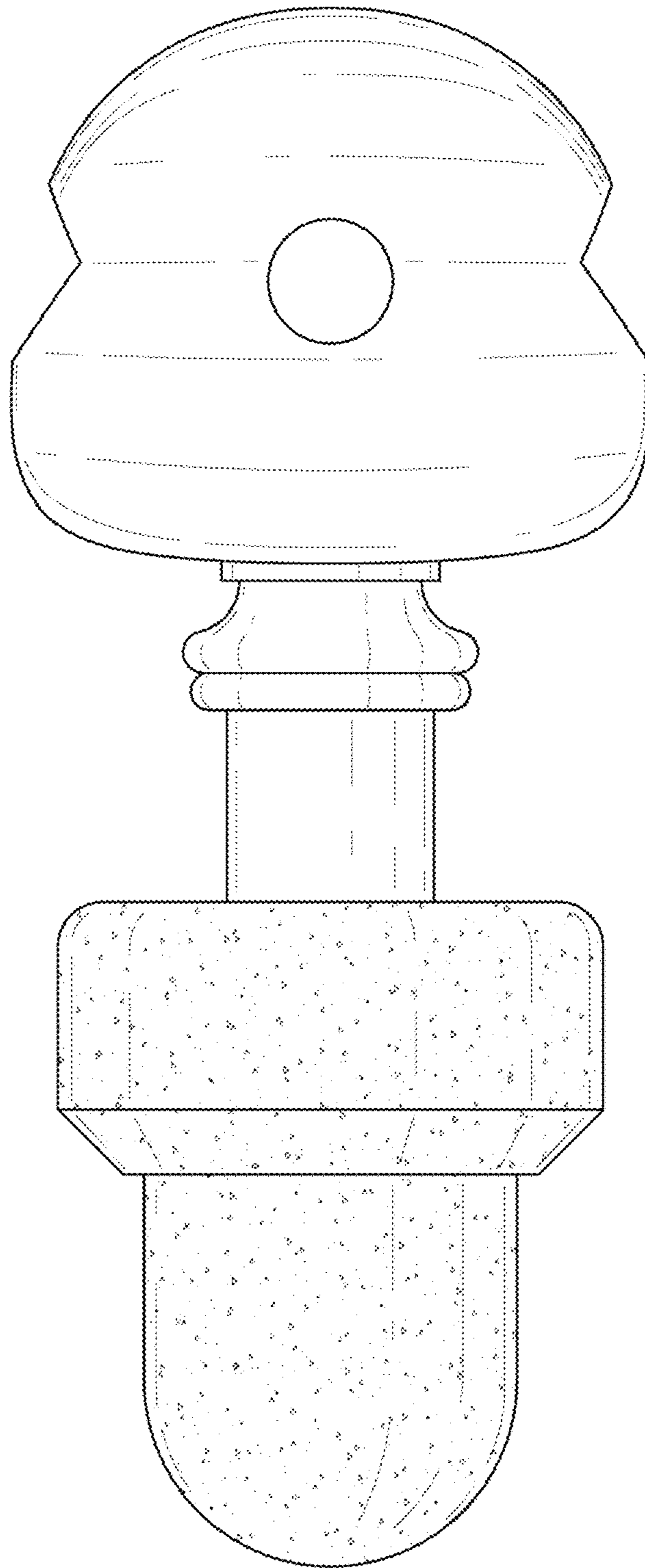


FIG. 3

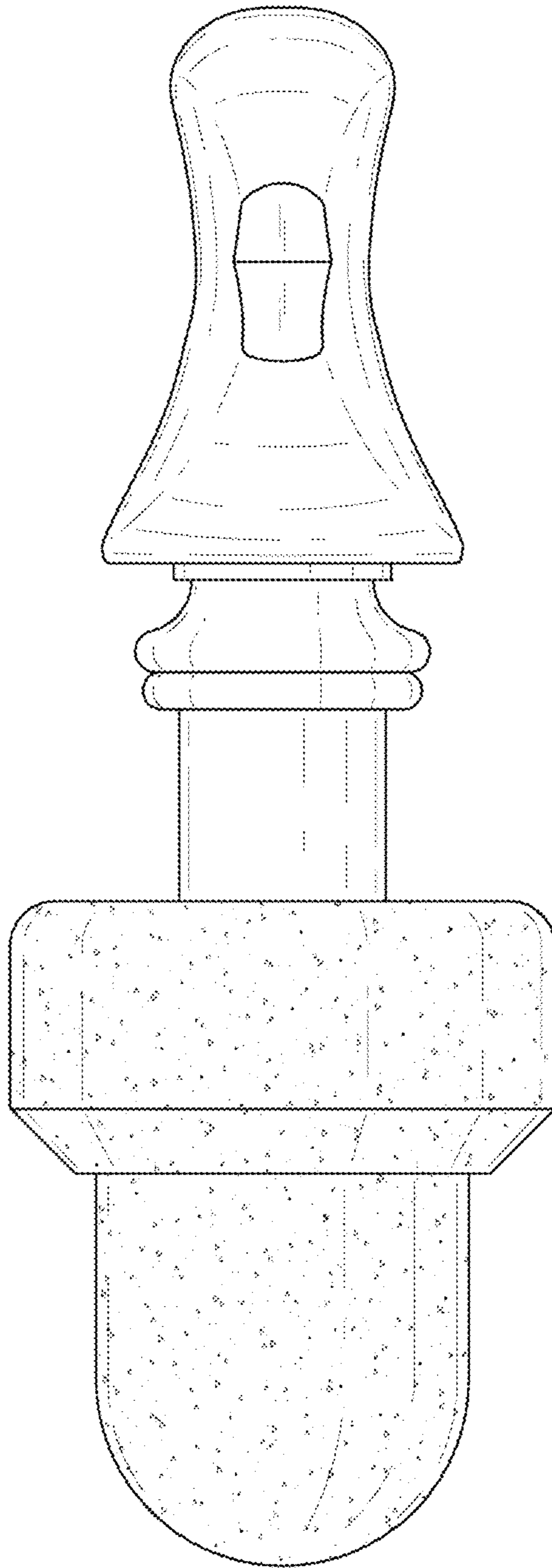


FIG. 4

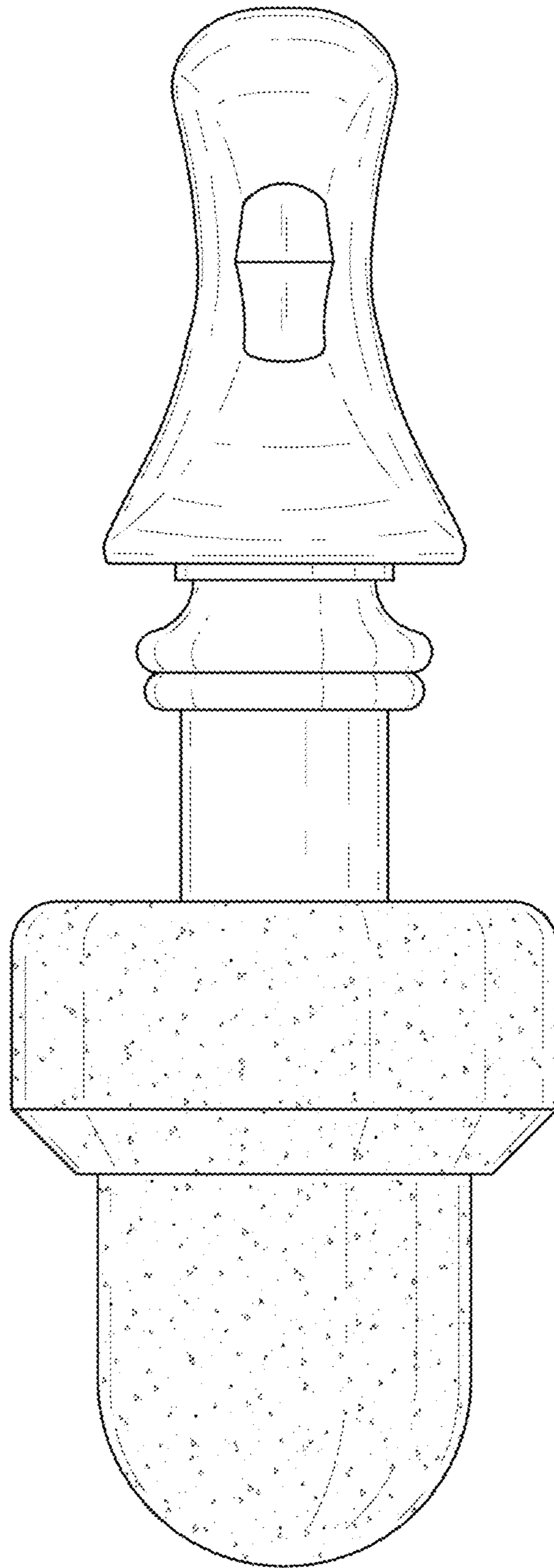


FIG. 5

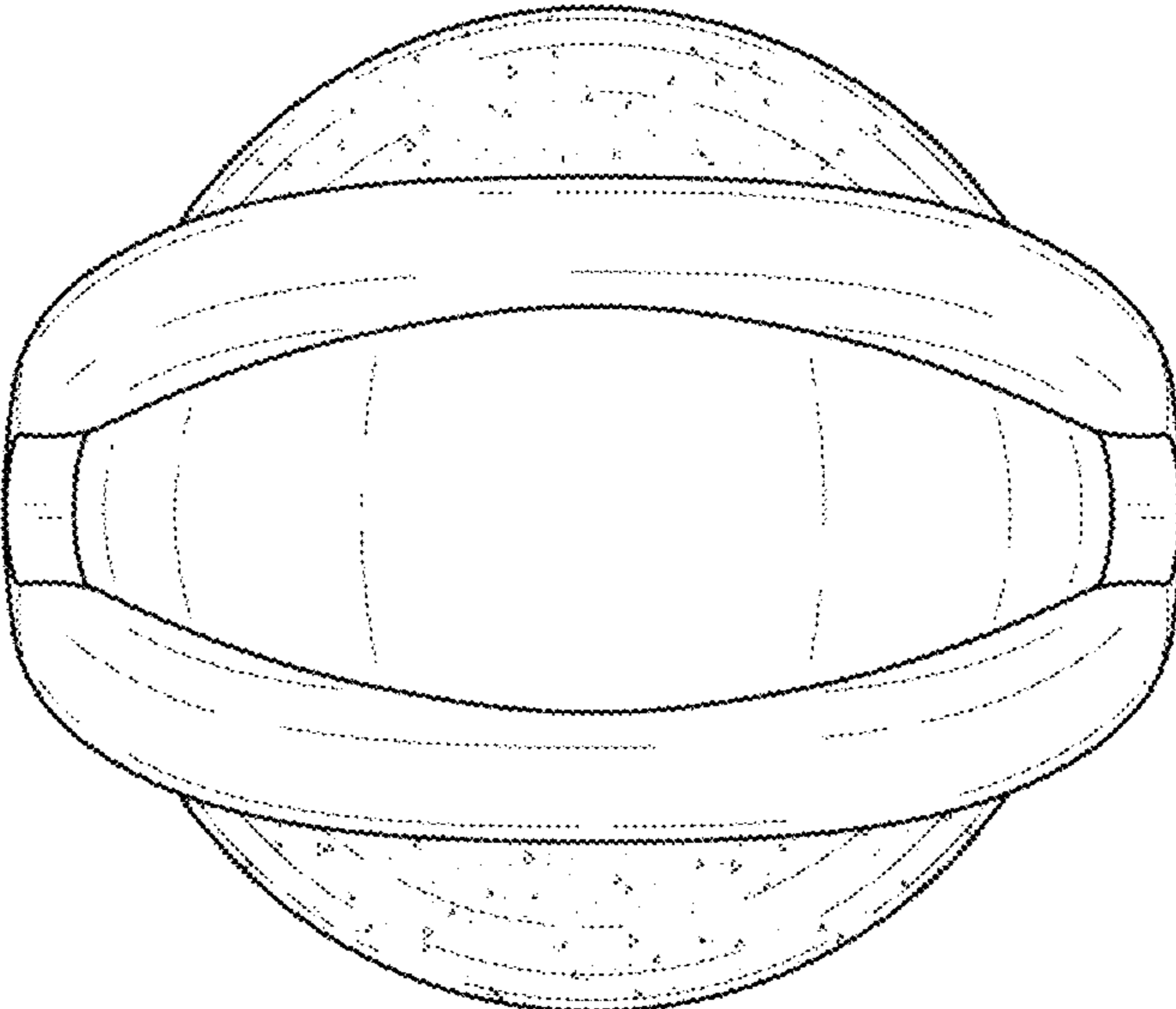


FIG. 6

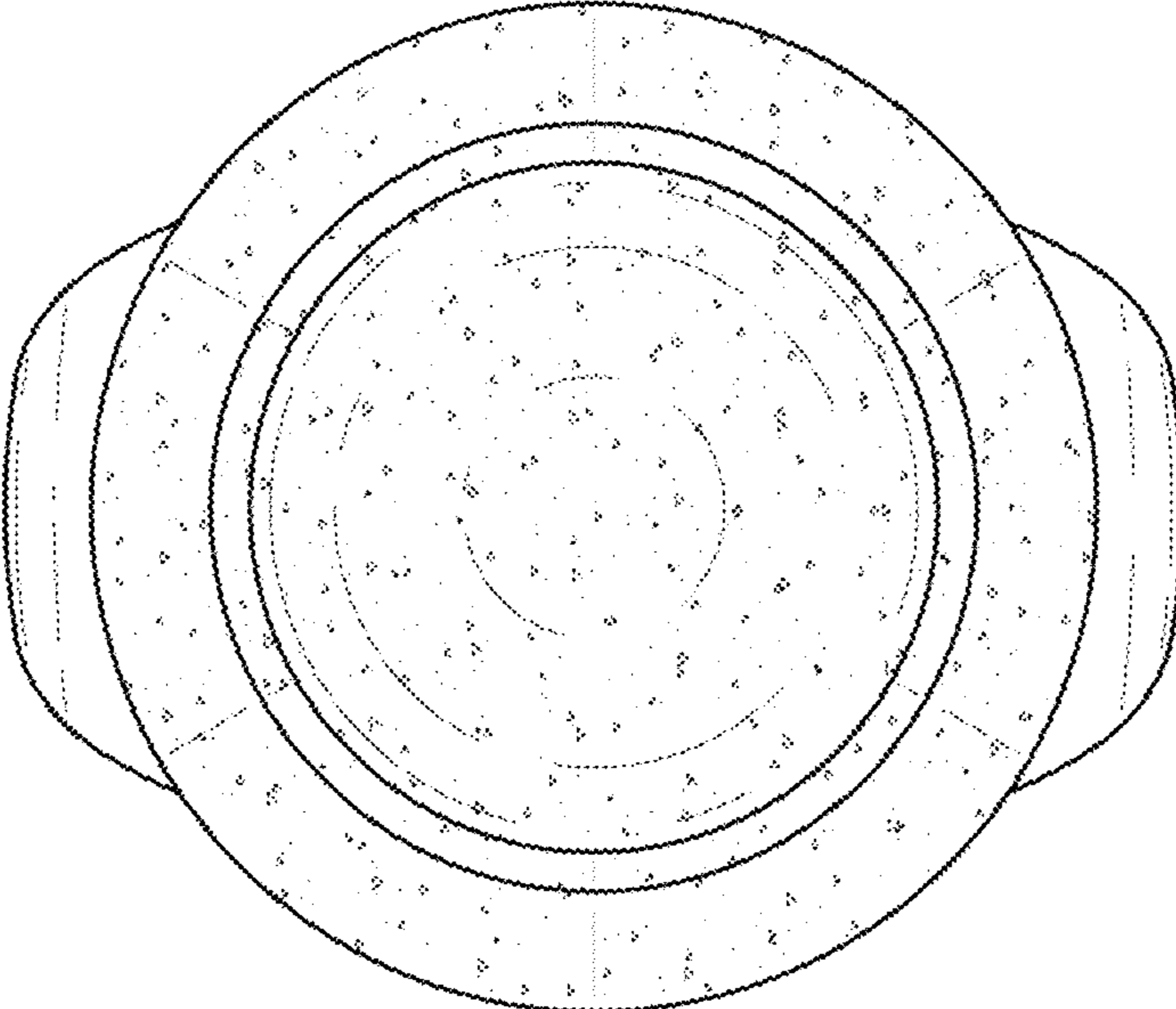


FIG. 7

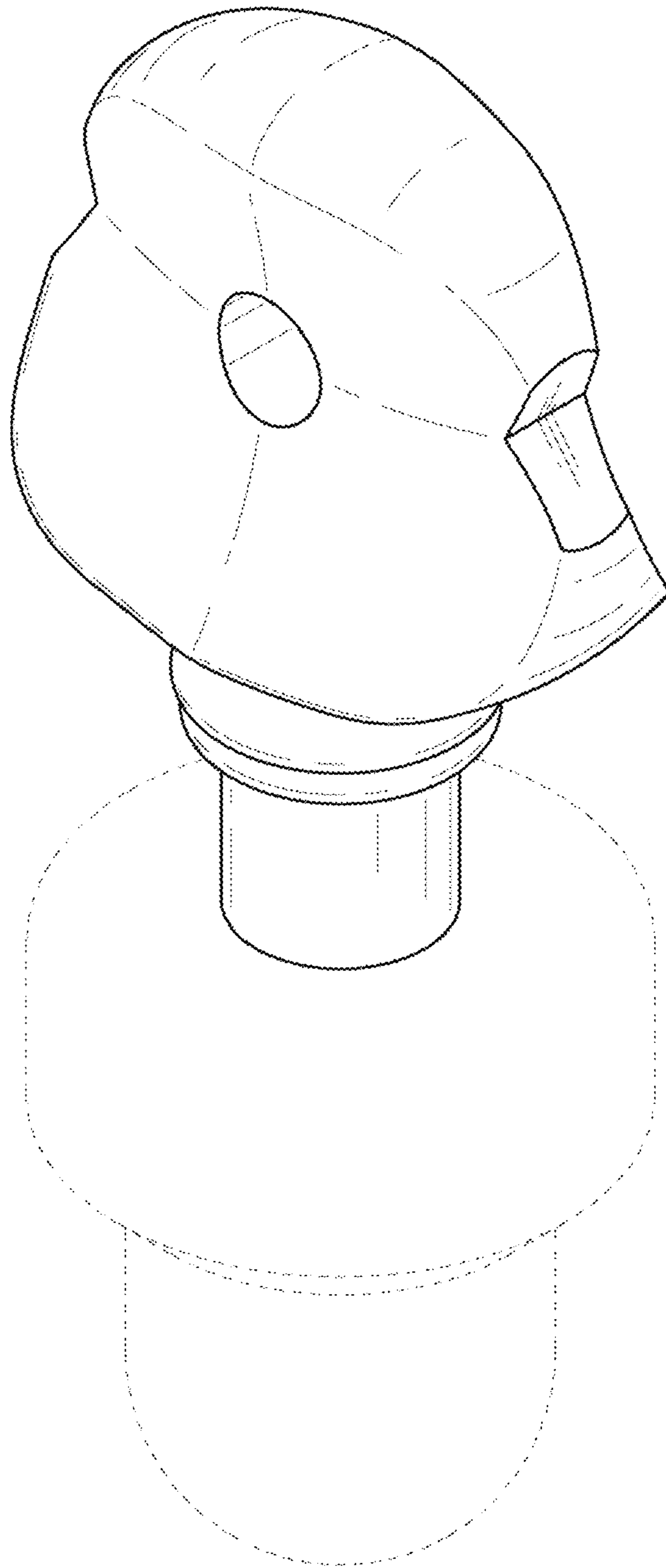


FIG. 8

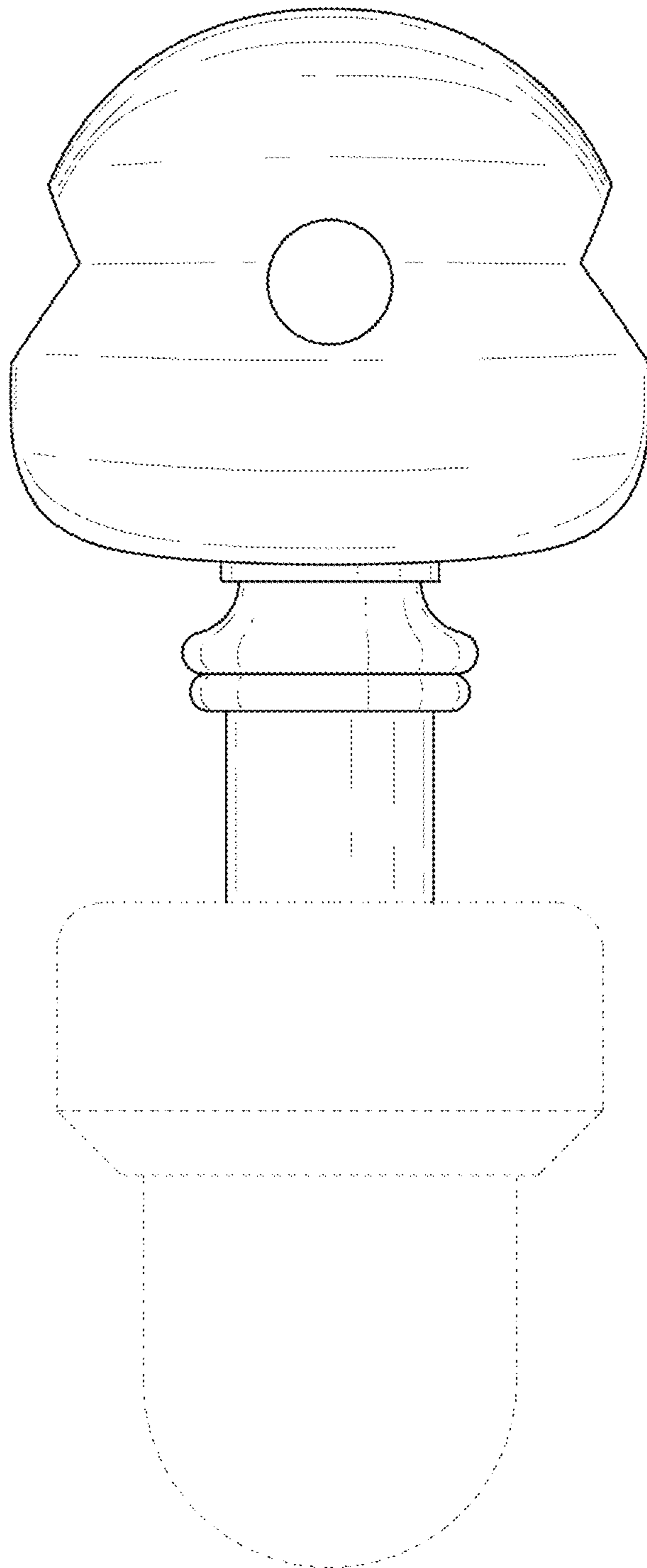


FIG. 9

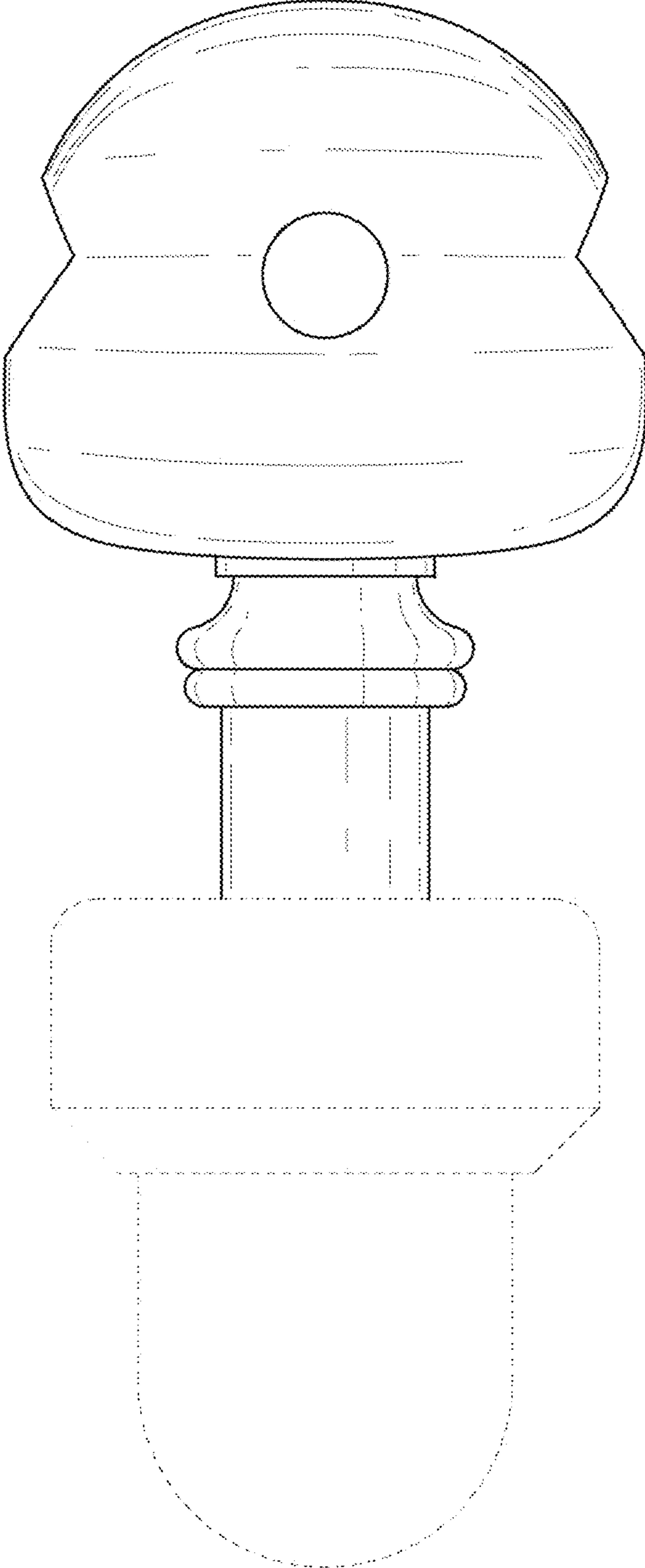


FIG. 10

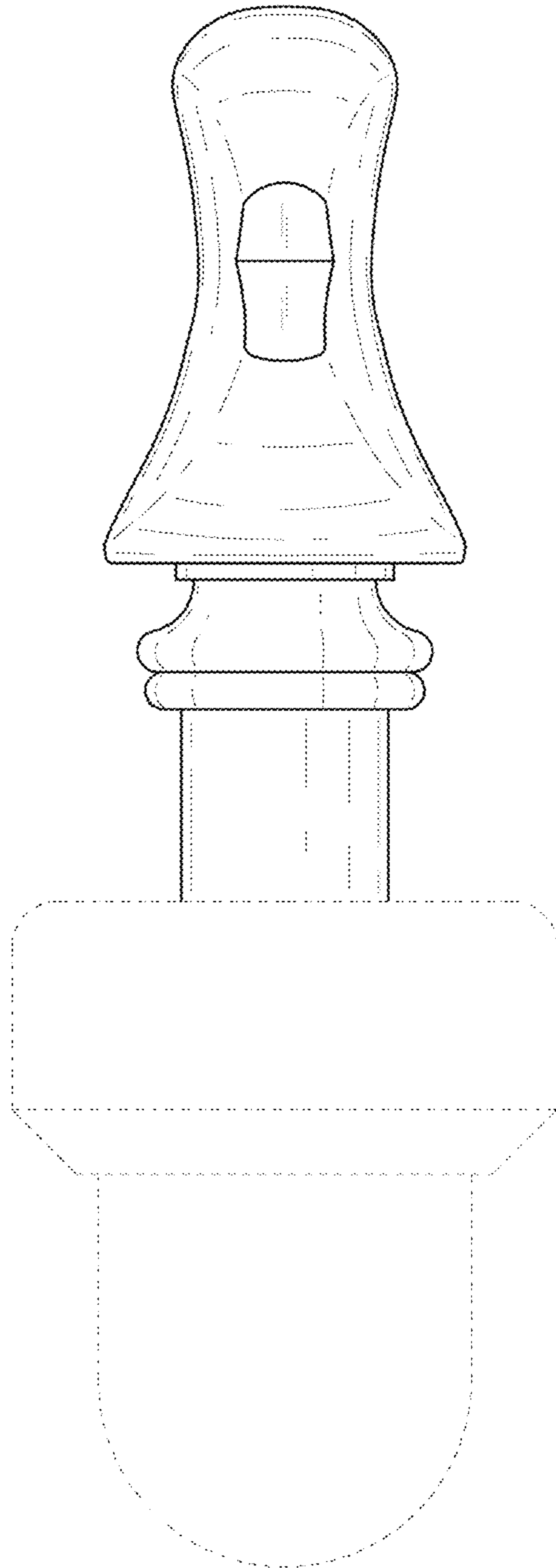


FIG. 11

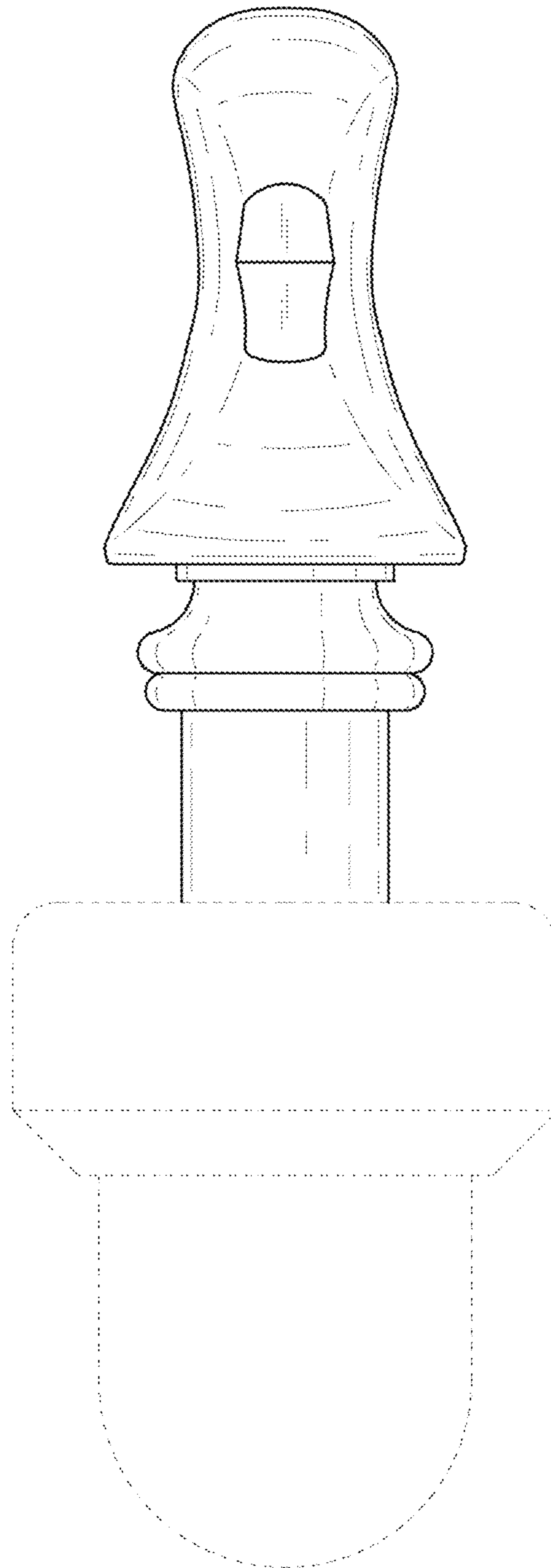


FIG. 12

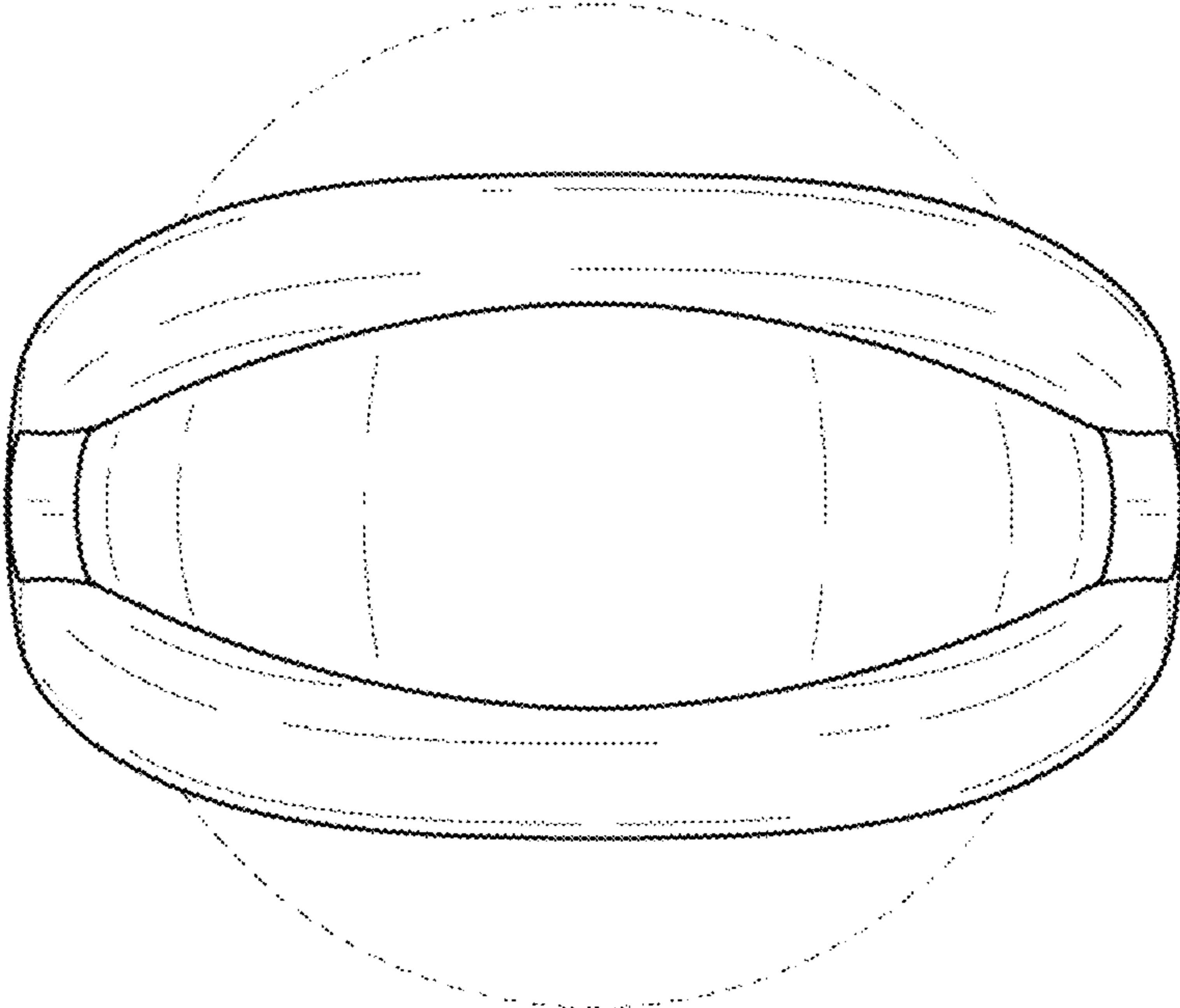


FIG. 13

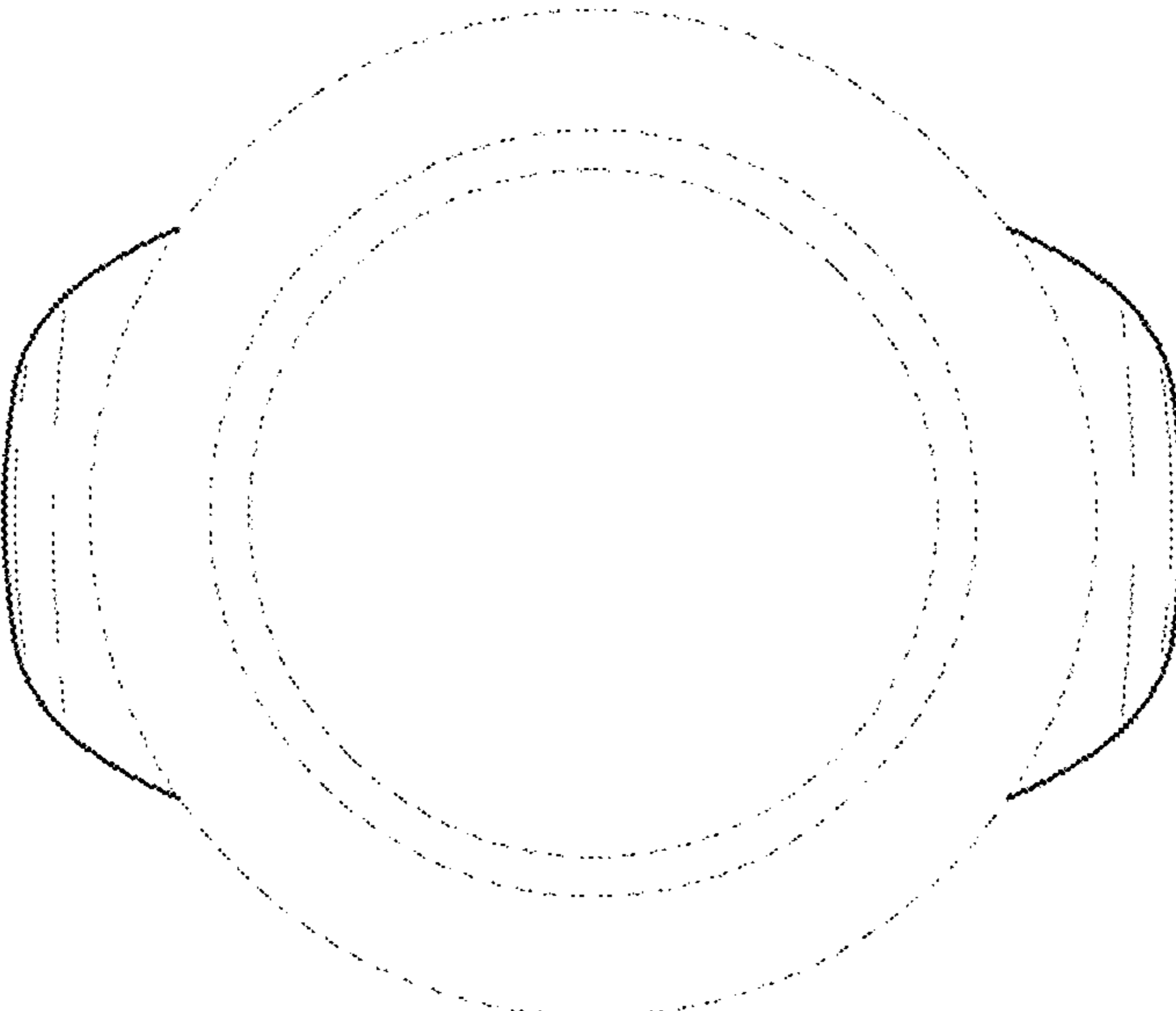


FIG. 14