



US00D869946S

(12) **United States Design Patent** (10) **Patent No.:** **US D869,946 S**
Tran (45) **Date of Patent:** **** Dec. 17, 2019**

(54) **BOX DIVIDER**
(71) Applicant: **Visy R & D Pty Ltd**, Victoria (AU)
(72) Inventor: **Duc Manh Tran**, Auckland (NZ)
(73) Assignee: **Visy R & D Pty. Ltd.**, Victoria (AU)
(**) Term: **15 Years**
(21) Appl. No.: **29/639,660**

D542,129 S * 5/2007 Moorman D9/431
D578,883 S * 10/2008 Kisch D9/432
D719,443 S * 12/2014 Jones D9/433
D757,549 S * 5/2016 Kuo D9/432
D808,806 S * 1/2018 Campbell D9/456

* cited by examiner

Primary Examiner — Vy N Koenig
(74) *Attorney, Agent, or Firm* — McDermott Will & Emery LLP

(22) Filed: **Mar. 7, 2018**

(57) **CLAIM**

(30) **Foreign Application Priority Data**

The ornamental design for a box divider, as shown and described.

Sep. 8, 2017 (AU) 201715391

(51) **LOC (12) Cl.** **09-03**

(52) **U.S. Cl.**
USPC **D9/433; D9/456**

(58) **Field of Classification Search**
USPC D9/414–423, 424–429, 430–432, 433,
D9/434, 456, 457, 711, 713, 721–722;
D3/272–274, 290, 304, 305, 315
CPC ... B65D 5/00; B65D 5/02; B65D 5/18; B65D
5/20
See application file for complete search history.

DESCRIPTION

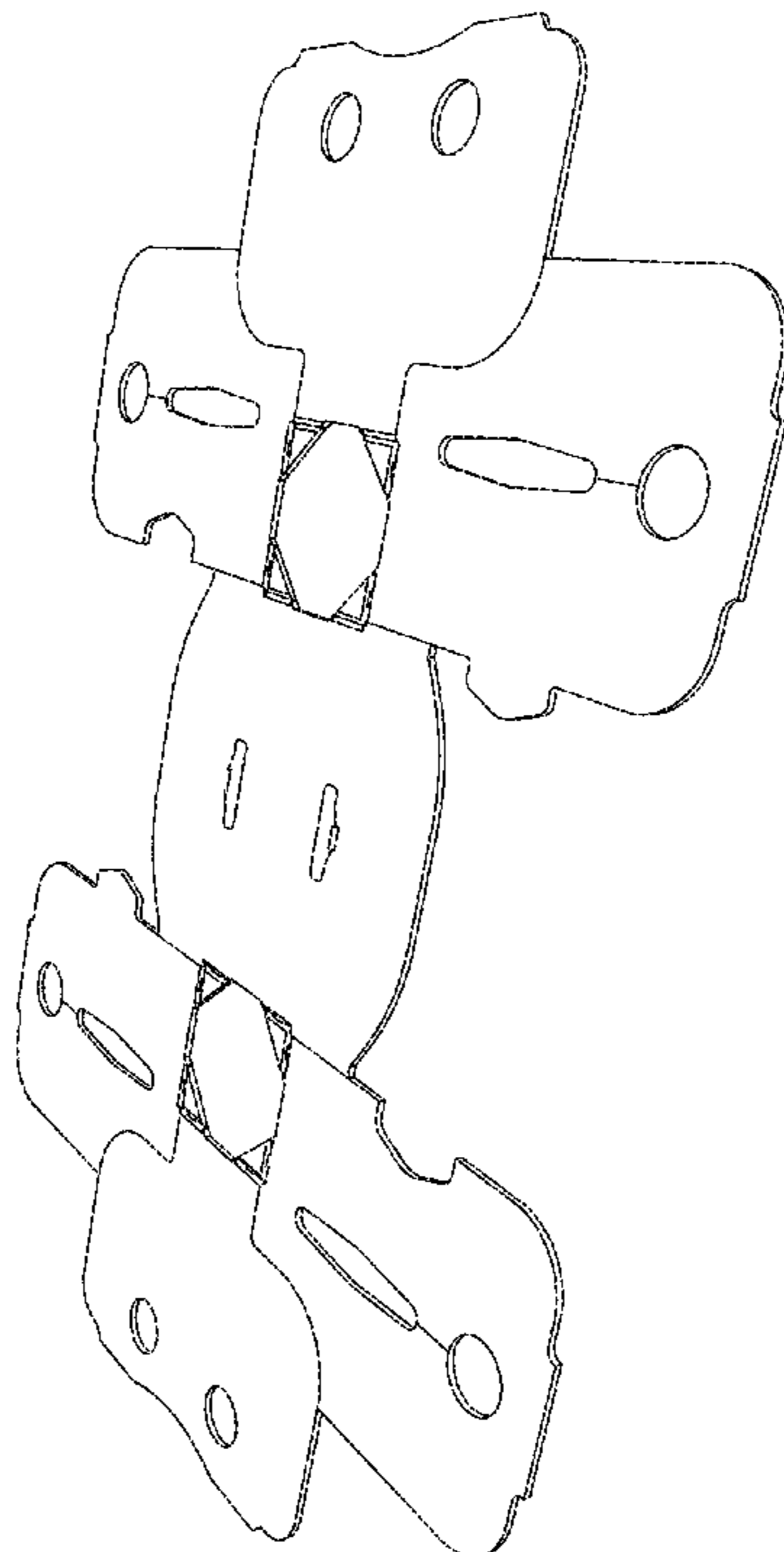
FIG. 1 is a plan view of a box divider showing our new design, in an unassembled blank configuration;
FIG. 2 is a perspective view thereof;
FIG. 3 is a left side view thereof;
FIG. 4 is a right side view thereof;
FIG. 5 is a bottom end view thereof;
FIG. 6 is a top end view thereof;
FIG. 7 is a back view of the box divider of FIG. 1 in an assembled configuration;
FIG. 8 is a front view of the box divider shown in FIG. 7;
FIG. 9 is a right side view of the box divider shown in FIG. 7;
FIG. 10 is a left side view of the box divider shown in FIG. 7; and,
FIG. 11 is a top view of the box divider shown in FIG. 7.

(56) **References Cited**

U.S. PATENT DOCUMENTS

3,152,744 A * 10/1964 Vrana B65D 5/48032
229/120.25
D298,413 S * 11/1988 Raudat D9/456
5,154,288 A * 10/1992 Gloyer B65D 5/48
206/427
D339,745 S * 9/1993 Duell D9/456

1 Claim, 7 Drawing Sheets



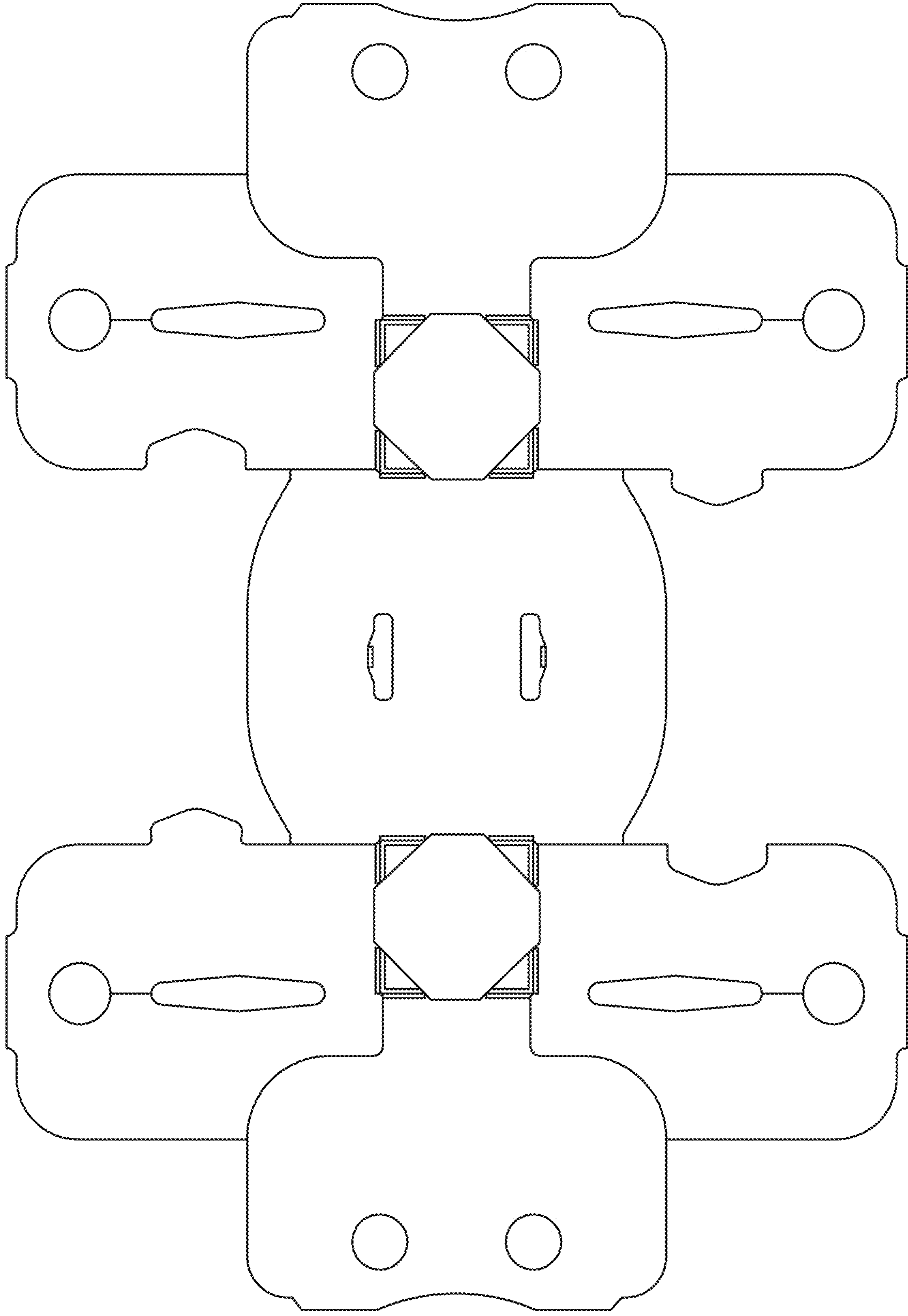


Figure 1

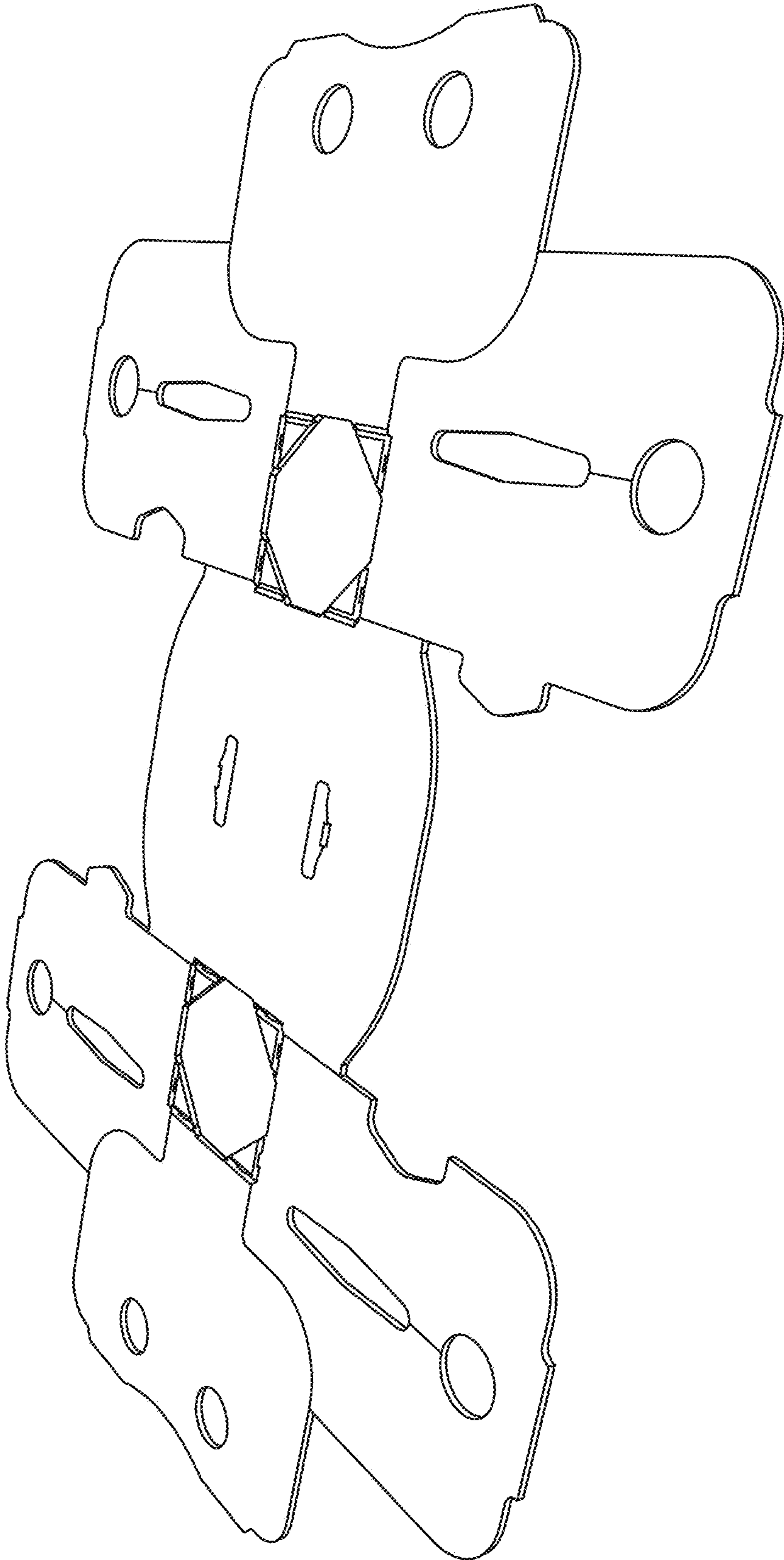


Figure 2

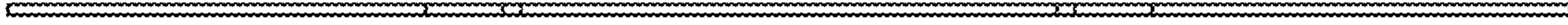


Figure 3

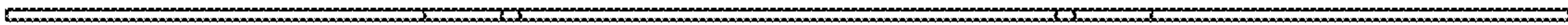


Figure 4



Figure 5



Figure 6

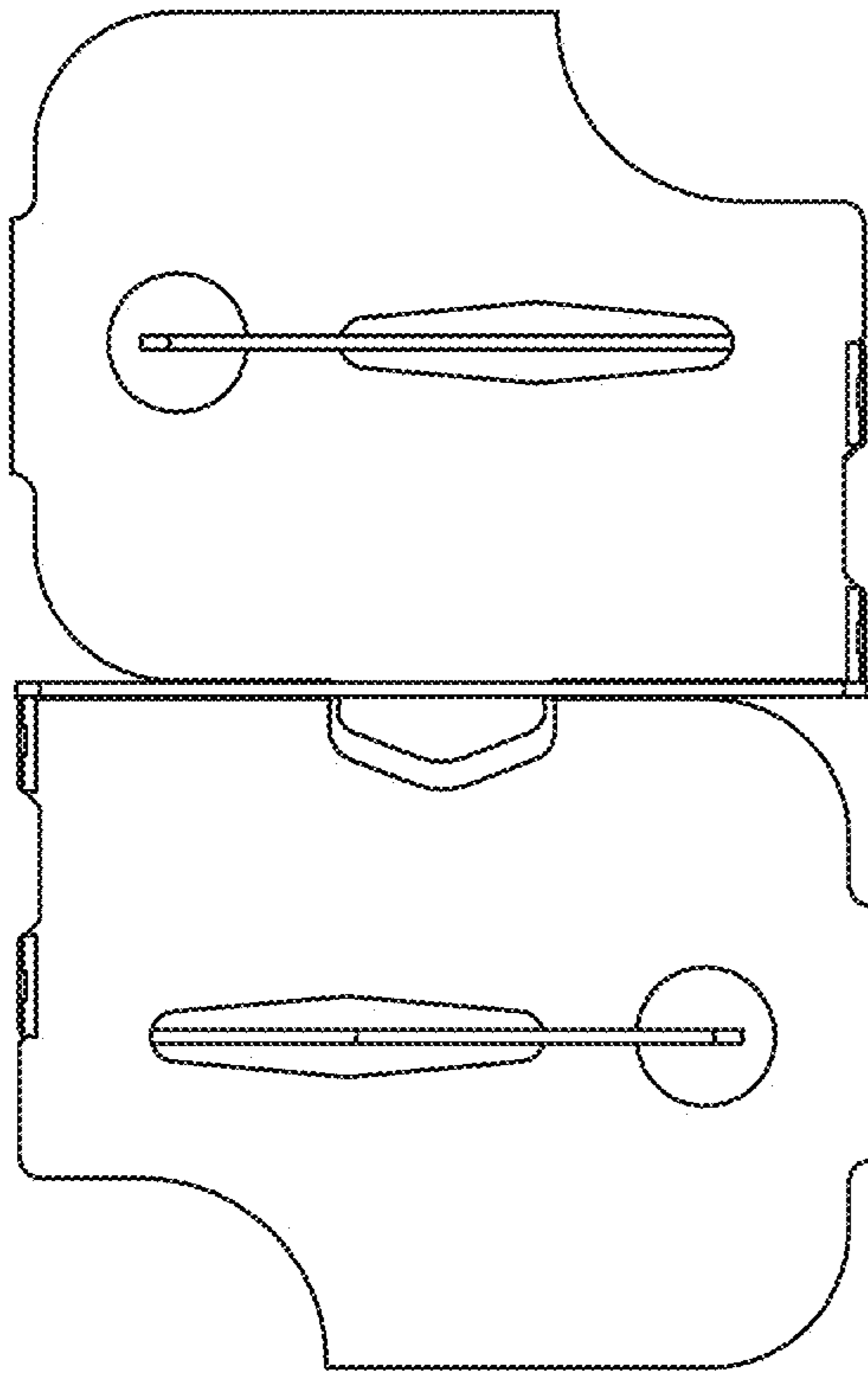


Figure 7

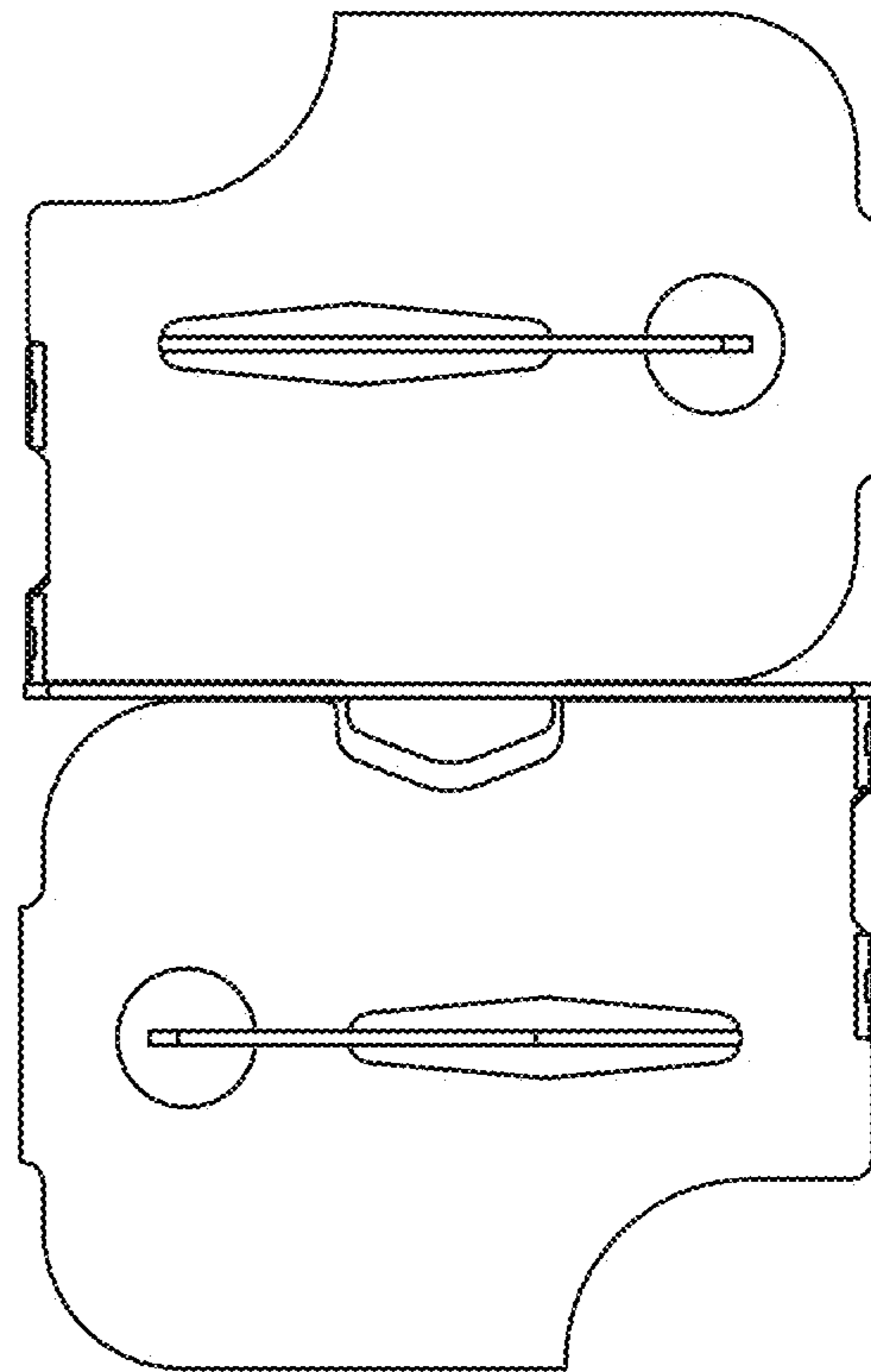


Figure 8

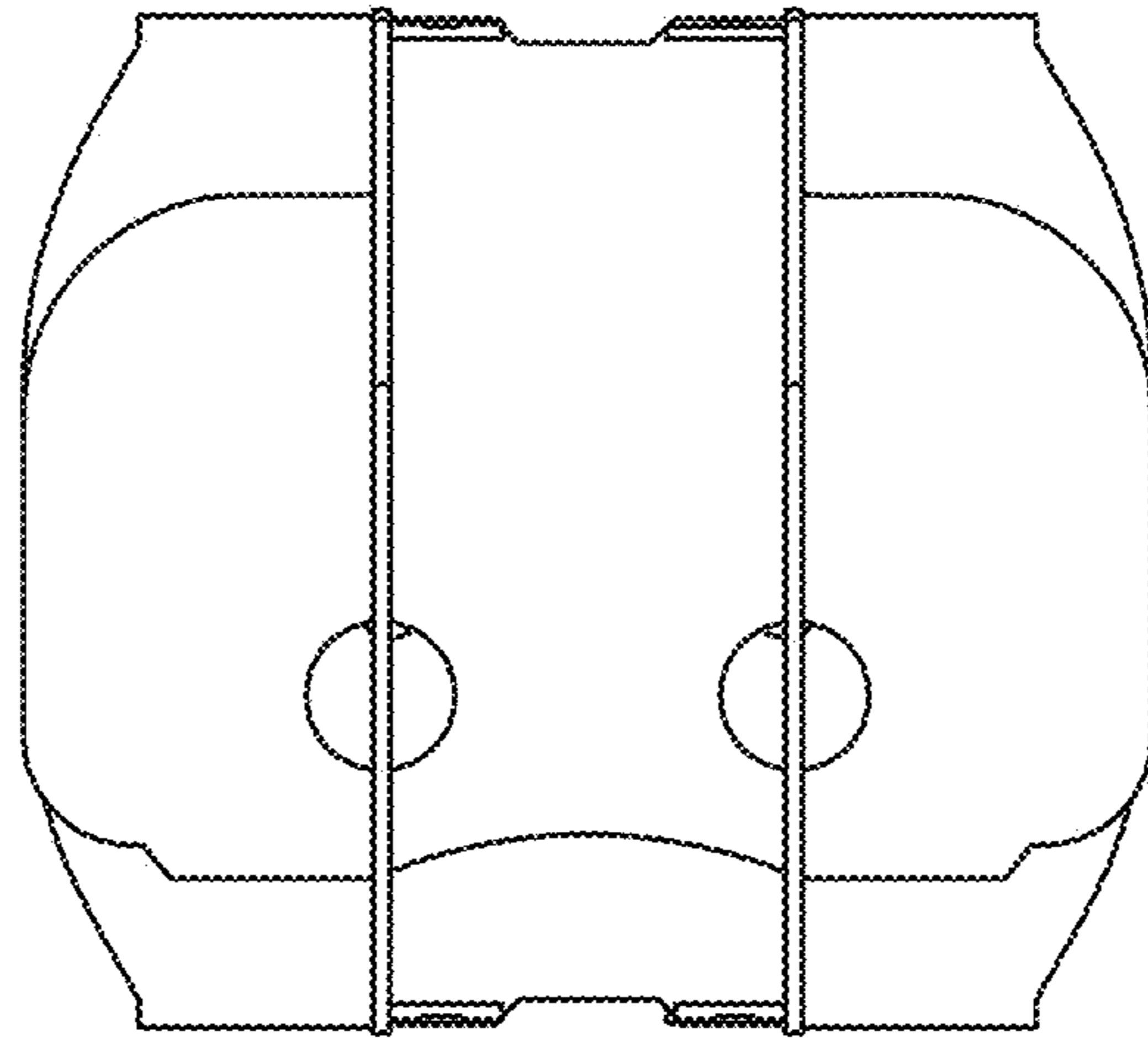


Figure 9

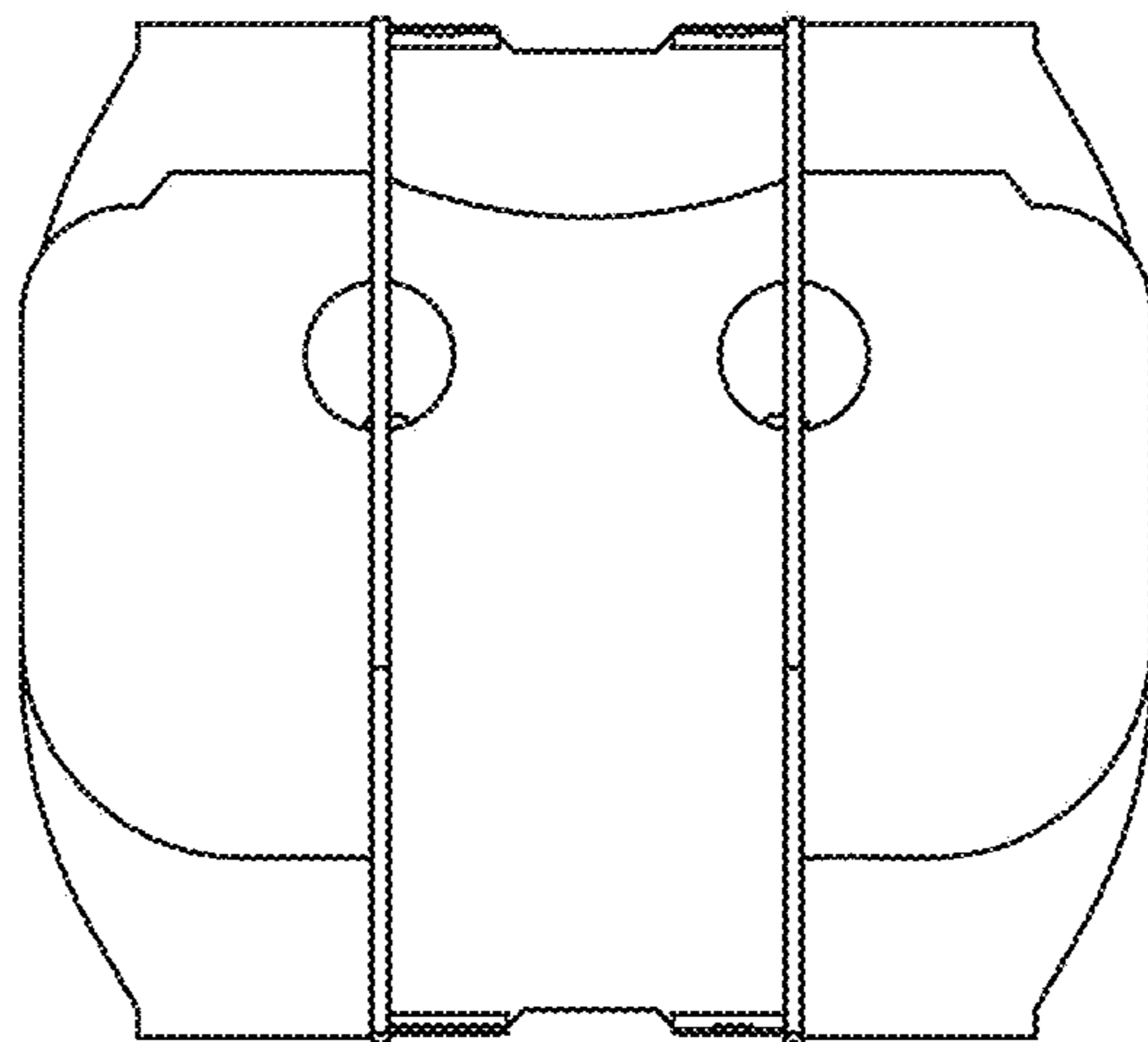


Figure 10

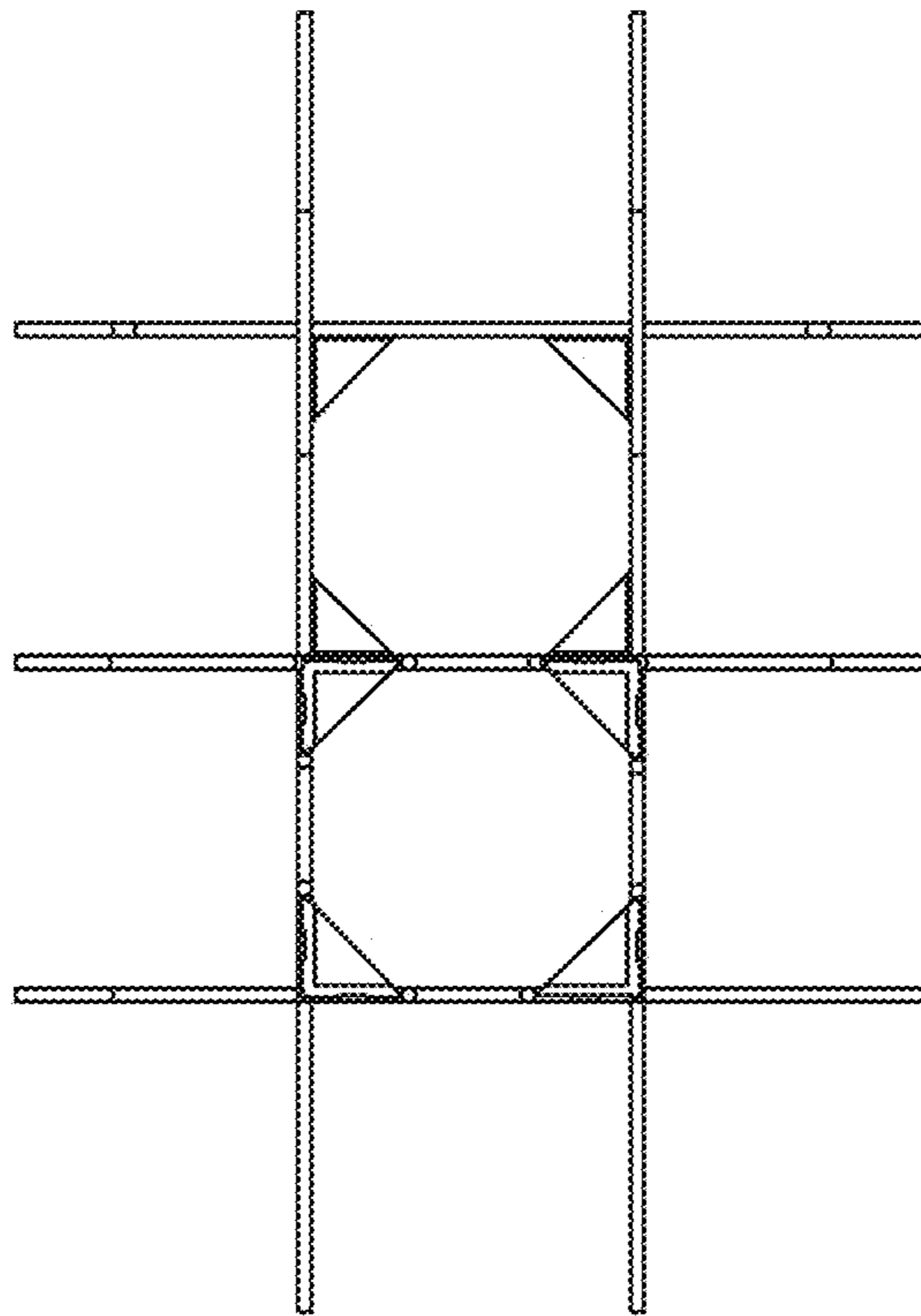


Figure 11