

US00D869944S

(12) **United States Design Patent** (10) **Patent No.:** **US D869,944 S**  
**Dupont-Madinier et al.** (45) **Date of Patent:** **\*\* Dec. 17, 2019**

(54) **ATTACHMENT PIECE**  
(71) Applicant: **CERTAINEED CORPORATION**,  
Malvern, PA (US)  
(72) Inventors: **Kim Dupont-Madinier**, Somerville,  
MA (US); **Conor Patrick McDonald**,  
Boston, MA (US)  
(73) Assignee: **CERTAINEED CORPORATION**,  
Malvern, PA (US)  
(\*\*) Term: **15 Years**  
(21) Appl. No.: **29/586,035**

4,564,165 A 1/1986 Grant et al.  
4,648,229 A 3/1987 Limp  
D289,251 S 4/1987 Joseph  
4,742,662 A 5/1988 Smith  
4,848,054 A 7/1989 Blitzer et al.  
4,926,606 A 5/1990 Hanson  
D319,006 S 8/1991 Talbot  
D321,639 S 11/1991 Adams  
D339,981 S 10/1993 Barnes  
5,265,393 A 11/1993 Bischel et al.  
5,421,132 A 6/1995 Bischel et al.  
D364,799 S 12/1995 Callas  
5,495,697 A 3/1996 Bischel et al.  
5,533,696 A 7/1996 Laughlin et al.  
5,806,823 A 9/1998 Callas  
5,845,447 A 12/1998 Bodine et al.

(Continued)

(22) Filed: **Nov. 30, 2016**  
(51) **LOC (12) Cl.** ..... **08-08**  
(52) **U.S. Cl.**  
USPC ..... **D8/395**; D8/396  
(58) **Field of Classification Search**  
USPC ..... D8/356, 371, 394-396; 24/570;  
248/74.2, 215, 227.1, 49, 300, 301, 316.7,  
248/51, 489; D19/65, 56; D25/58, 121,  
D25/122; 52/489.1, 489.2, 715, DIG. 6,  
52/288.1, 716.6, 718.04, 506.07  
CPC . E04B 9/067; E04B 9/068; E04B 9/12; E04B  
9/18; E04B 9/30; E04B 2009/062; E04C  
2003/0413; E04C 2003/0439; E04C  
2003/046  
See application file for complete search history.

**FOREIGN PATENT DOCUMENTS**

EP 0421255 A2 4/1991  
EP 0306463 B1 10/1991

*Primary Examiner* — John Windmuller

(74) *Attorney, Agent, or Firm* — Abel Schillinger, LLP;  
Thomas H. Osborn

(57) **CLAIM**

The ornamental design for an attachment piece, as shown  
and described.

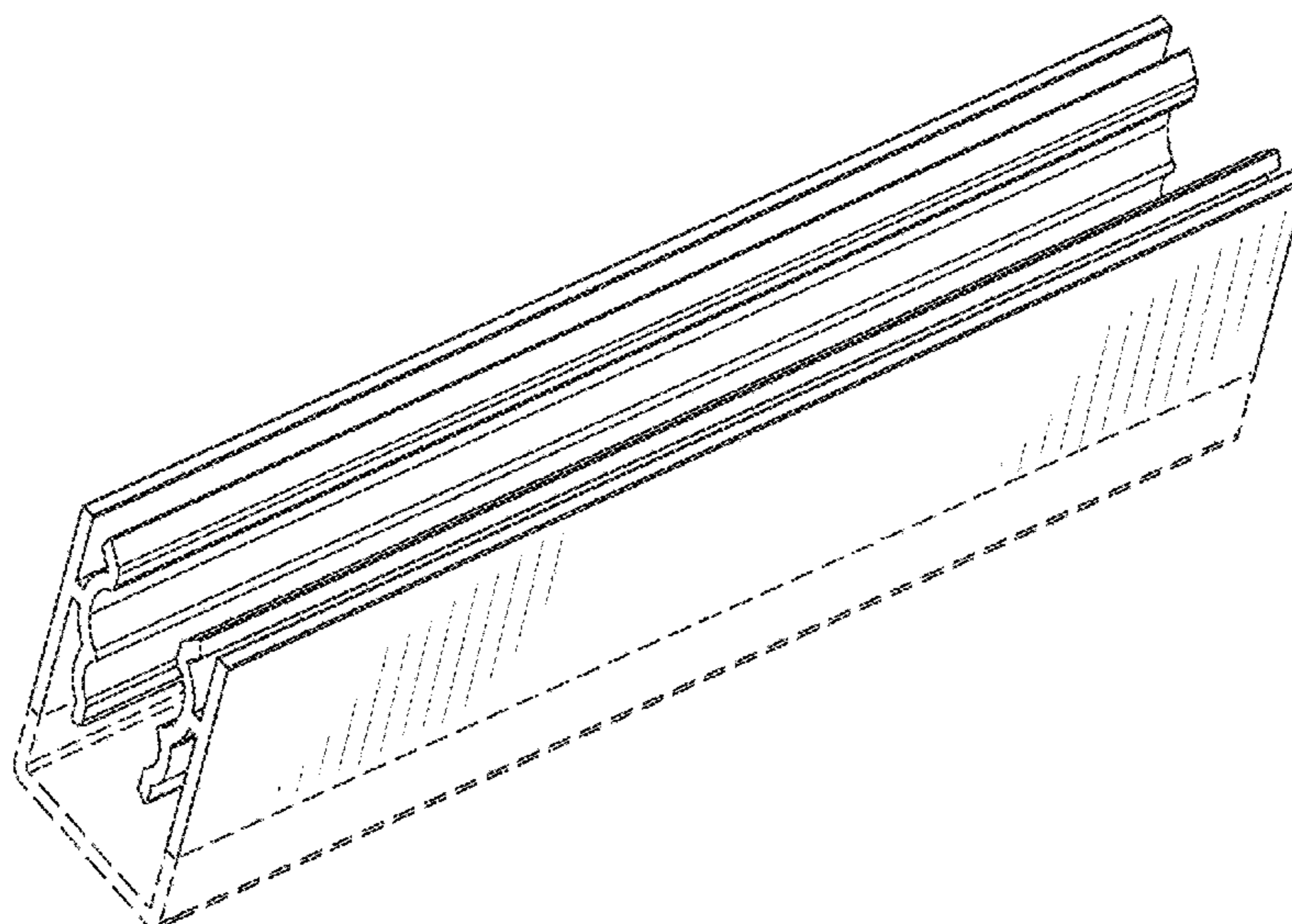
**DESCRIPTION**

FIG. 1 is a front perspective view of an attachment piece;  
FIG. 2 is a front view thereof;  
FIG. 3 is a back view thereof;  
FIG. 4 is a side view thereof;  
FIG. 5 is an opposite side view thereof;  
FIG. 6 is a top view thereof; and,  
FIG. 7 is a bottom view thereof.

The broken lines showing a portion of the attachment piece  
are for illustrative purposes only and form no part of the  
claimed design.

**1 Claim, 5 Drawing Sheets**

(56) **References Cited**  
U.S. PATENT DOCUMENTS  
386,378 A 7/1888 Bright  
2,807,431 A 9/1957 McHale  
3,618,176 A 11/1971 Barnes  
3,683,100 A 8/1972 Deal et al.  
3,952,985 A 4/1976 Davenport  
4,119,285 A 10/1978 Bisping et al.  
4,135,692 A 1/1979 Ferguson





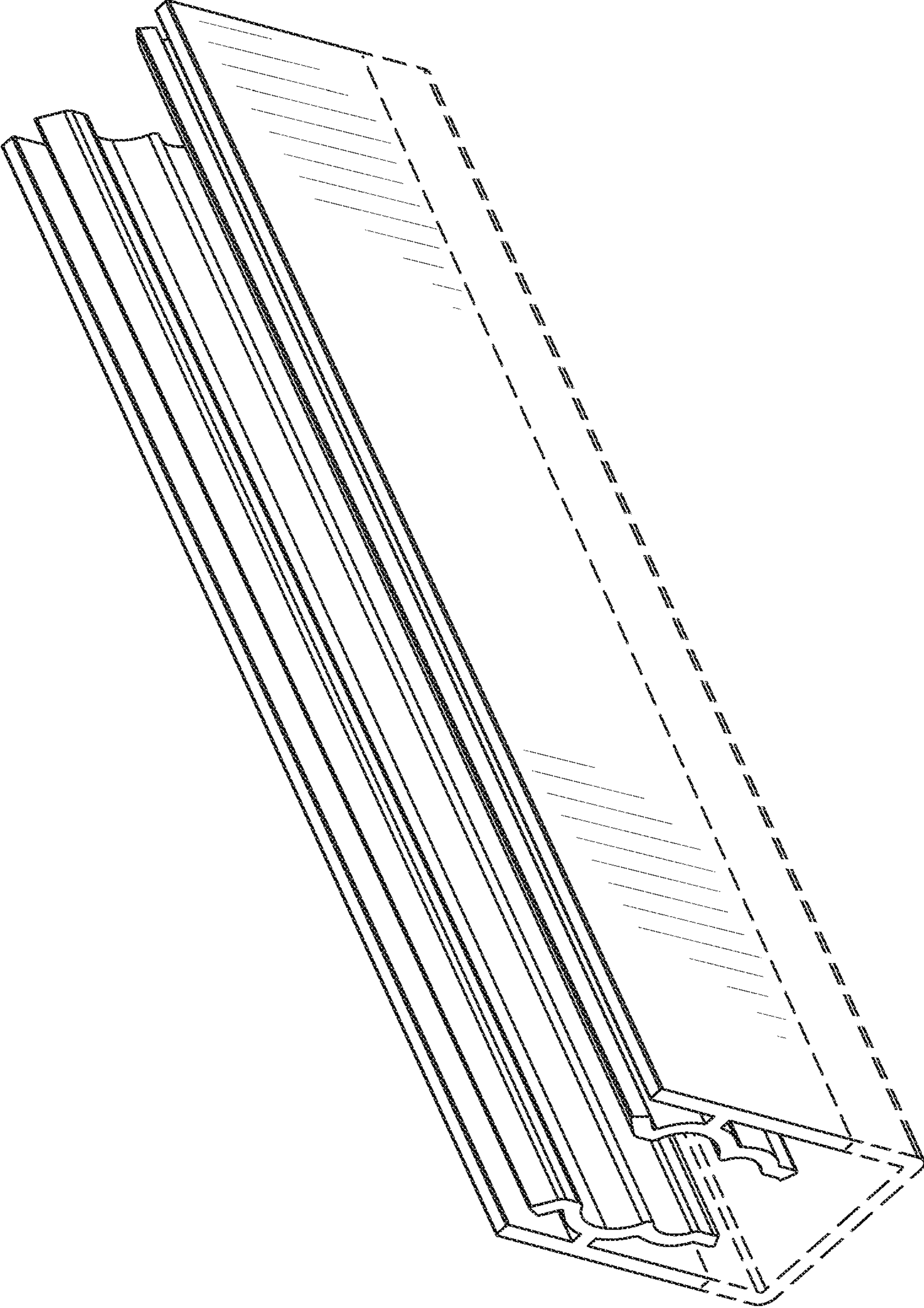
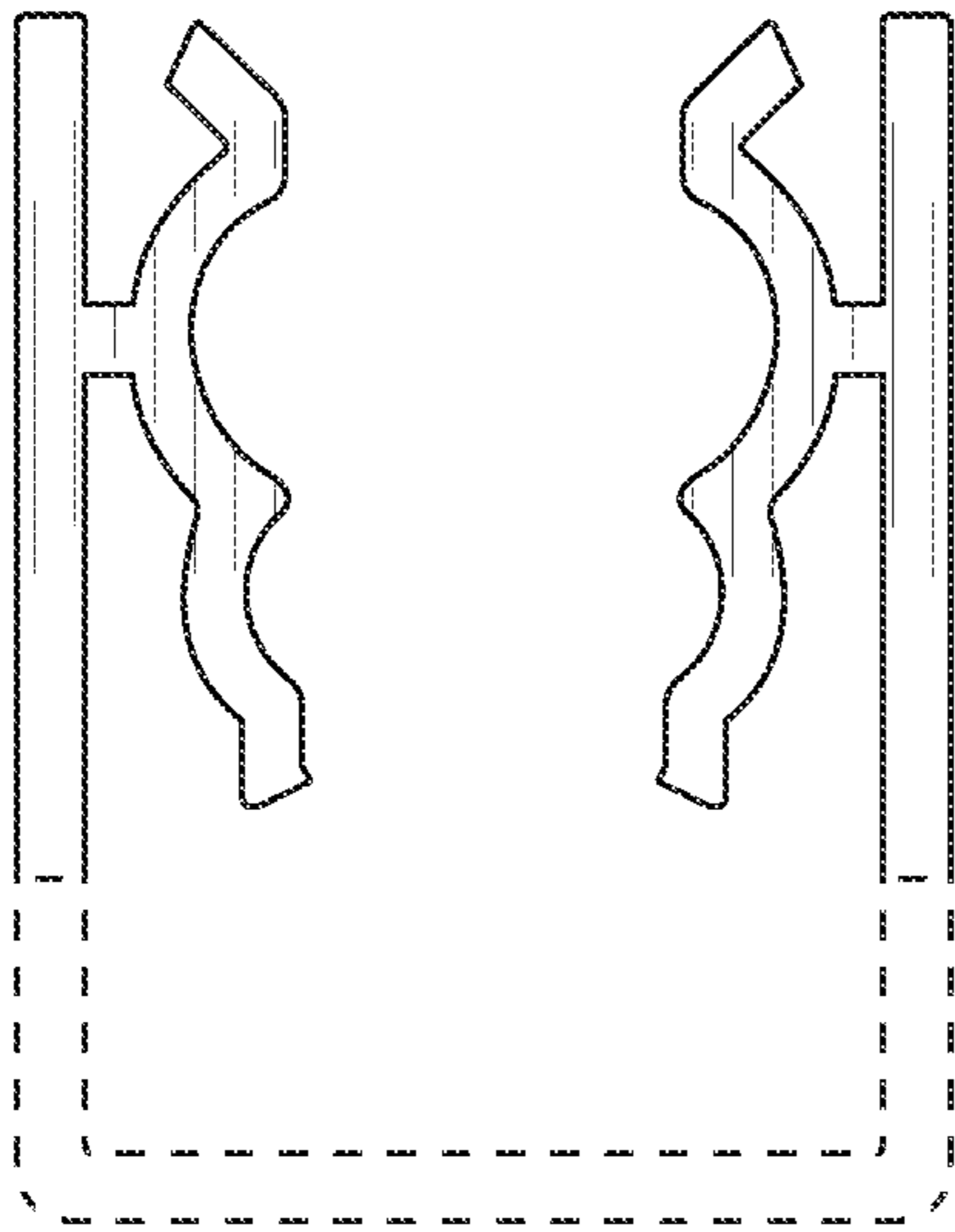
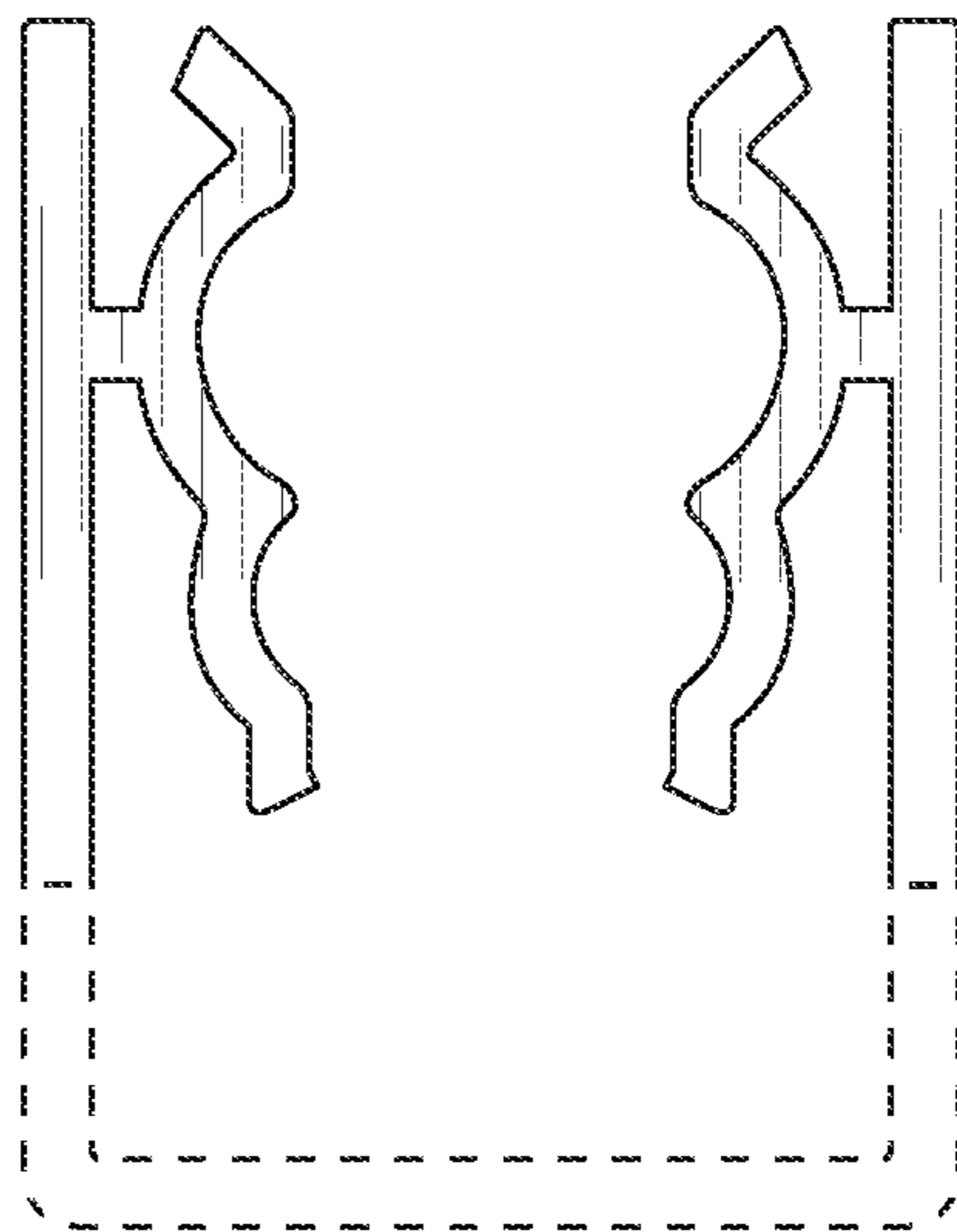


FIG. 1

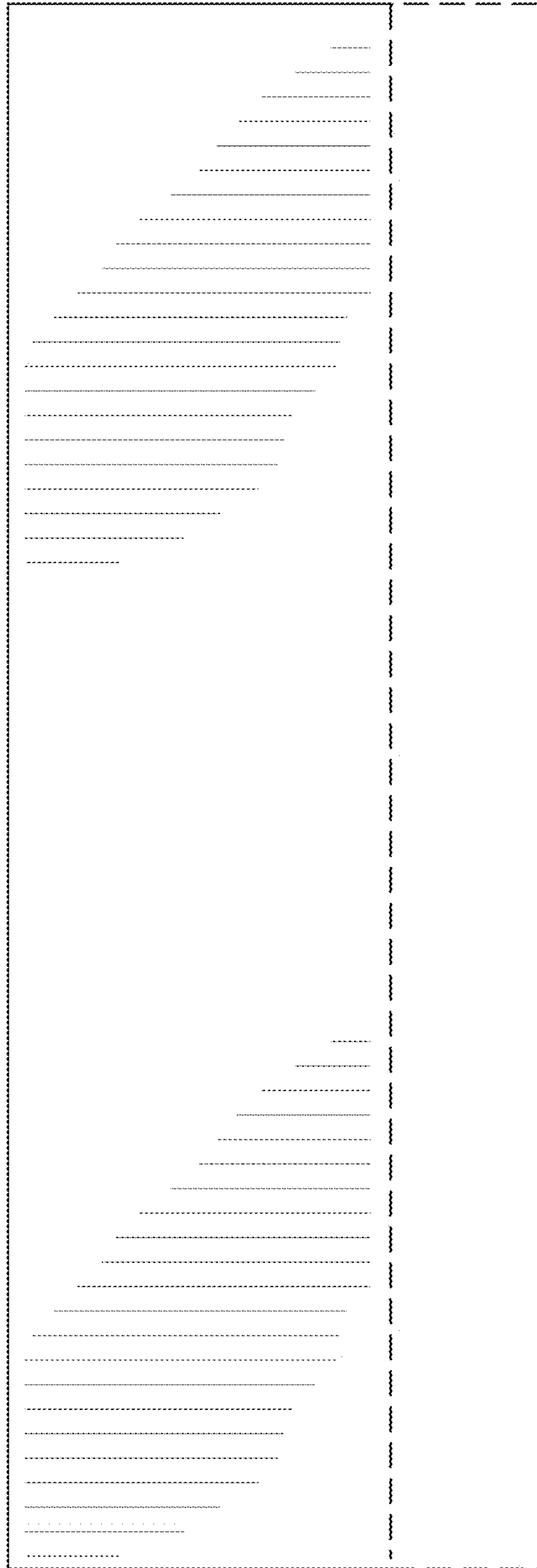




*FIG. 2*



*FIG. 3*



*FIG. 4*

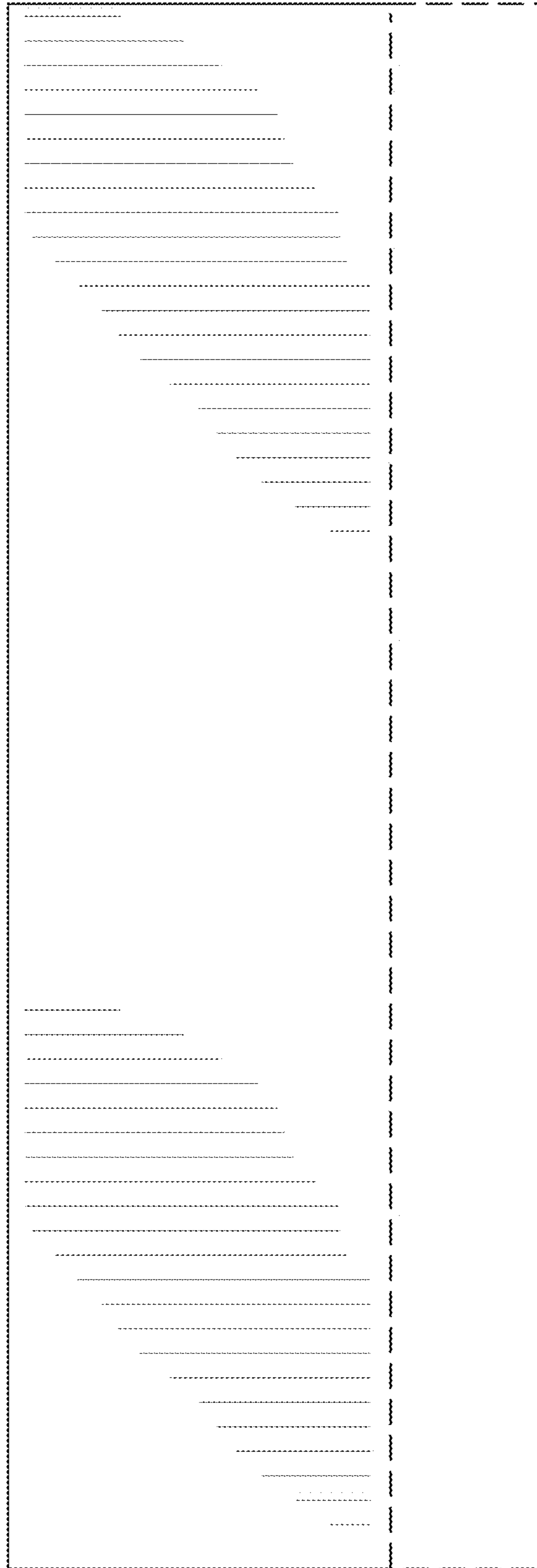


FIG. 5

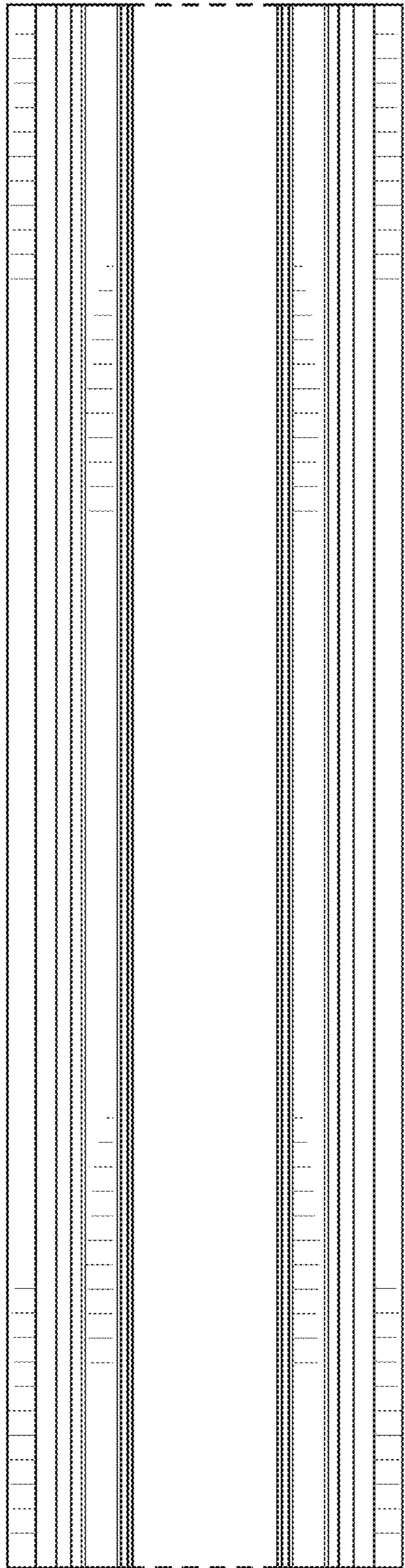


FIG. 6

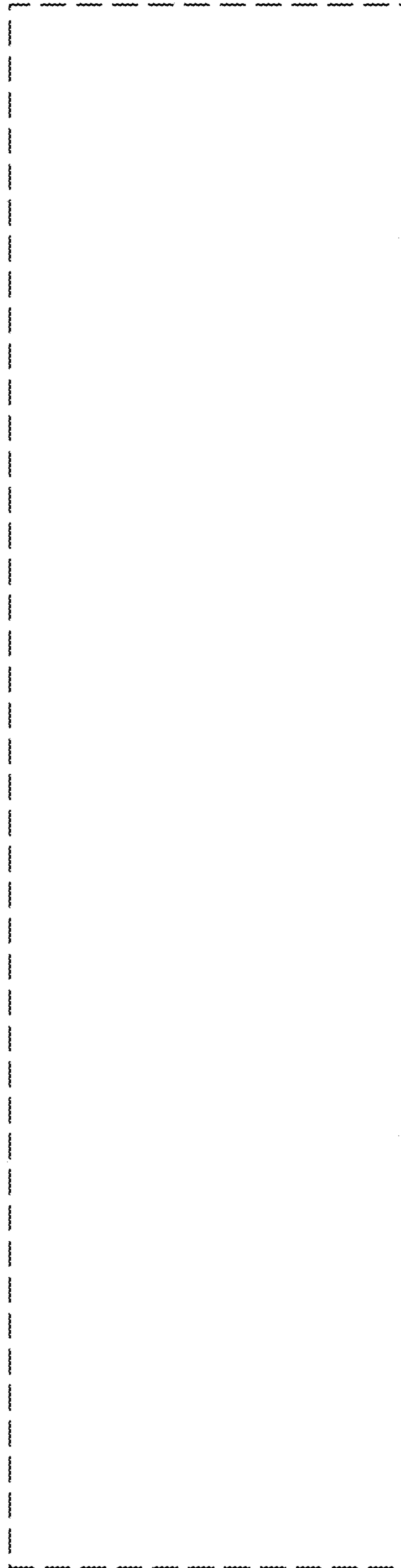


FIG. 7