

US00D869942S

(12) **United States Design Patent** (10) **Patent No.:** **US D869,942 S**  
**Belgiovine et al.** (45) **Date of Patent:** **\*\* Dec. 17, 2019**

(54) **FIXTURE FOR GAS CANISTER**

A62C 33/04; B08B 2203/0276; B21C 47/28; H02G 11/02; A01K 89/003;  
(Continued)

(71) Applicant: **Nobel Research Partners, LLC**, Jersey City, NJ (US)

(72) Inventors: **Corrado Belgiovine**, Woodcliff Lake, NJ (US); **John Maloney**, Suffern, NY (US)

(73) Assignee: **Nobel Research Partners, LLC**, Jersey City, NJ (US)

(\*\*) Term: **15 Years**

(21) Appl. No.: **29/634,997**

(22) Filed: **Jan. 26, 2018**

(51) **LOC (12) Cl.** ..... **08-05**

(52) **U.S. Cl.**  
USPC ..... **D8/373**

(58) **Field of Classification Search**  
USPC ..... D08/373, 358, 359, 354, 71, 330, 336, D08/351, 356, 360.1, 363, 364, 367, 370, D08/372, 379, 381, 382, 395, 396; D06/349, 352; D09/426, 502, 750; D10/72, 73, 89; D11/79, 93; D13/103, D13/107, 152, 183; D19/67; D21/673, D21/674, 675, 839, 840; D25/19, 62, 68, D25/69; D26/40, 49; D29/122, 124; D30/153, 155  
CPC ..... B65H 75/40; B65H 75/4407; B65H 75/4471; B65H 2701/34; B65H 2701/32; B65H 2511/142; B65H 29/008; B65H 2701/33; B65H 54/585; B65H 51/22; B65H 75/08; B65H 75/02; B65H 2301/41485; B65H 75/4468; B65H 2301/414323; B65H 2301/414325; B65H 16/02; B65H 2301/4131; B65H 75/403; B65H 75/441; B65D 85/66; B65D 85/67; B66D 3/006; B66D 3/18; B66D 3/26; B66D 3/02; B66D 3/14; B63B 21/18; B63B 21/26; B65B 57/005; A61G 7/1051; A61G 7/1061; B66B 11/08;

(56) **References Cited**

U.S. PATENT DOCUMENTS

D166,583 S \* 4/1952 Zebarth ..... D8/370  
D240,577 S \* 7/1976 Newman ..... D8/373  
(Continued)

OTHER PUBLICATIONS

XS Scuba X5 Accessory Hanger, posted as early as Jun. 13, 2014, [retrieved Oct. 1, 2019]. Retrieved from Internet, <URL: <https://www.amazon.com/XS-Scuba-X5-Accessory-Hanger/dp/B078H1CBB8> >.\*

(Continued)

*Primary Examiner* — Karen E Kearney

*Assistant Examiner* — Kristin E Reed

(74) *Attorney, Agent, or Firm* — Richard Malagiere, Esq.

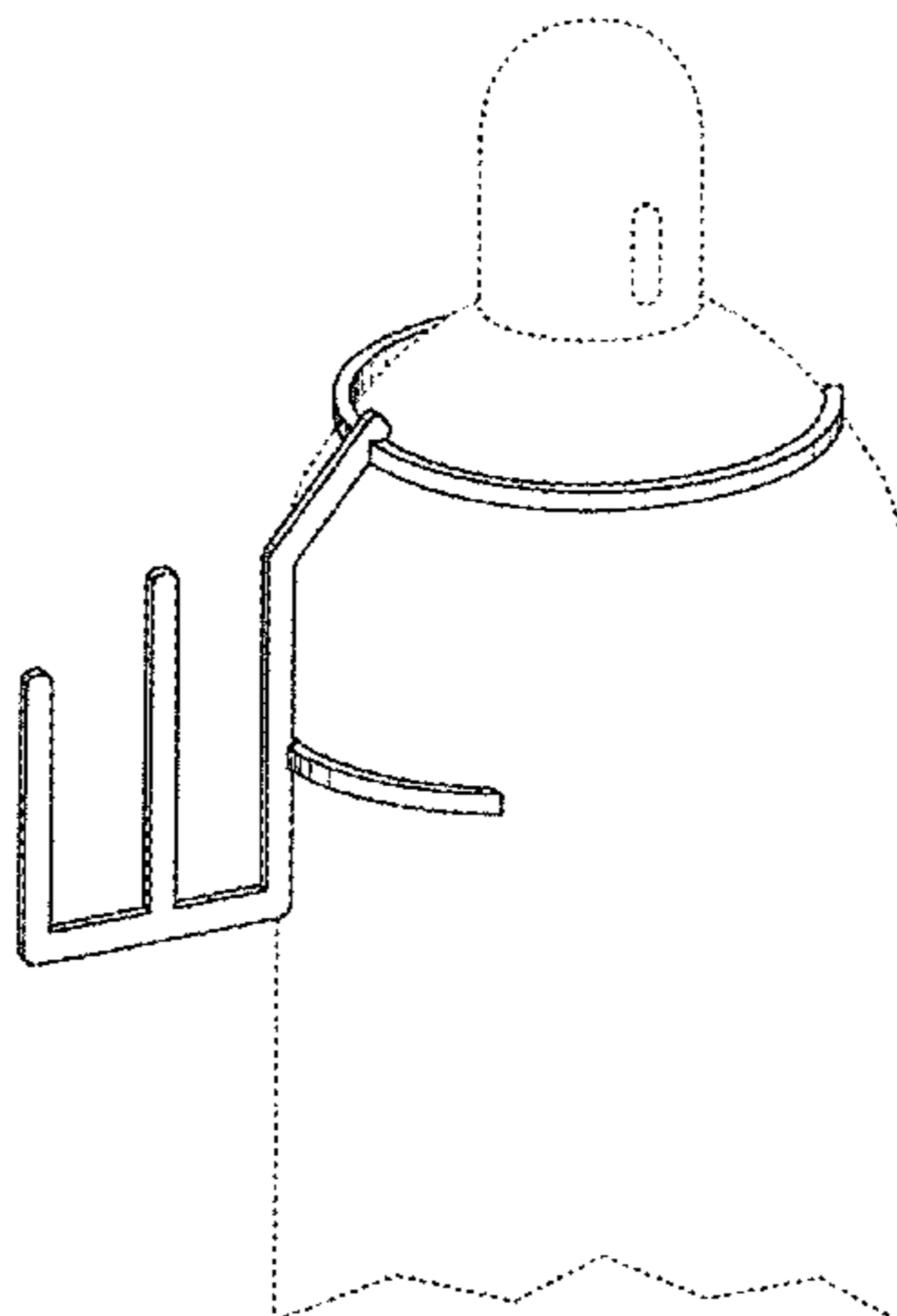
(57) **CLAIM**

We claim the ornamental design for a fixture for gas canister, as shown and described.

**DESCRIPTION**

FIG. 1 is a perspective view of the fixture for gas canister. FIG. 2 is a front view thereof. FIG. 3 is a rear view thereof. FIG. 4 is a side view thereof. FIG. 5 is a side view thereof. FIG. 6 is a top view thereof. FIG. 7 is a bottom view thereof; and, FIG. 8 is a perspective view thereof showing surrounding environment thereof.

(Continued)



The broken line showing of a gas canister is included for the purpose of illustrating an environment of use and forms no part of the claimed design.

**1 Claim, 4 Drawing Sheets**

(58) **Field of Classification Search**

CPC ..... H04M 1/15; A01D 34/822; A47L 9/26;  
 H04R 1/1033; Y10S 24/909; E05C 19/10;  
 E05C 17/50; E05C 3/045; E05C 3/30;  
 E05C 19/02; E05C 19/026; A47G  
 25/0614; A47G 25/18; A47G 25/32;  
 A47G 7/047; A47G 7/045; A47G 7/042;  
 A47G 7/044; F16B 12/44; F16B 12/46;  
 F16B 5/0614; F16B 12/02; F16B 12/685;  
 E04B 1/2612; E04B 2001/2415; E04B  
 1/5818; E04B 1/5831; A47B 88/0055;  
 E04F 11/1812; F16L 1/0246; A01G  
 31/001; A01G 9/02; A01G 9/083; A01G  
 9/12; A01G 9/024; A01G 25/14; A01G  
 27/001; A01G 9/042; A01G 27/005

See application file for complete search history.

(56)

**References Cited**

U.S. PATENT DOCUMENTS

D263,906	S	*	4/1982	Ormond	.....	D8/373
D319,383	S	*	8/1991	Kihlstrom	.....	D8/349
D333,255	S	*	2/1993	Newcomer	.....	D8/356
D354,430	S	*	1/1995	Lawrence	.....	D8/370
D356,410	S	*	3/1995	Cole	.....	D34/15
D356,943	S	*	4/1995	Buford	.....	D8/373
D416,472	S	*	11/1999	Huttner	.....	D8/370
D495,348	S	*	8/2004	Brasseur	.....	D15/144
D602,094	S	*	10/2009	Nowatzke	.....	D20/43
D628,872	S	*	12/2010	Stanley	.....	D8/354
10,016,077	B1	*	7/2018	Carney	.....	A47G 7/044

OTHER PUBLICATIONS

The Hel-Hook Gear Organizer, posted as early as Oct. 4, 2018, [retrieved Oct. 1, 2019]. Retrieved from Internet, <URL: <https://www.arc-zone.com/Helmet-Hanger-Hel-Hook> >.\*

Nitrogen Tank Restraint > Worksafe Technologies, posted unknown, [retrieved Oct. 1, 2019]. Retrieved from Internet, <URL: <http://worksafetech.net/nitrogen-tank-restraint/> >.\*

\* cited by examiner

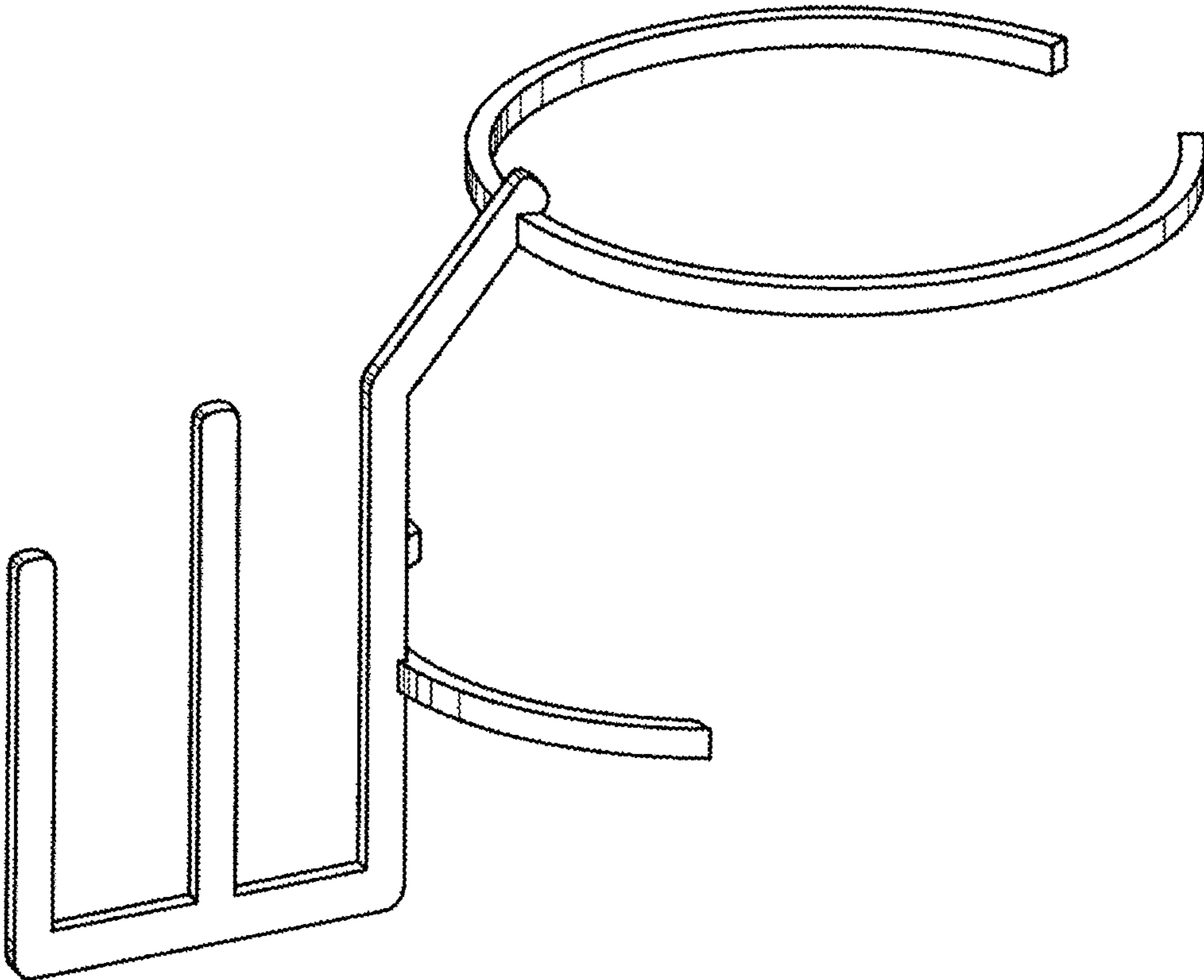


FIG. 1

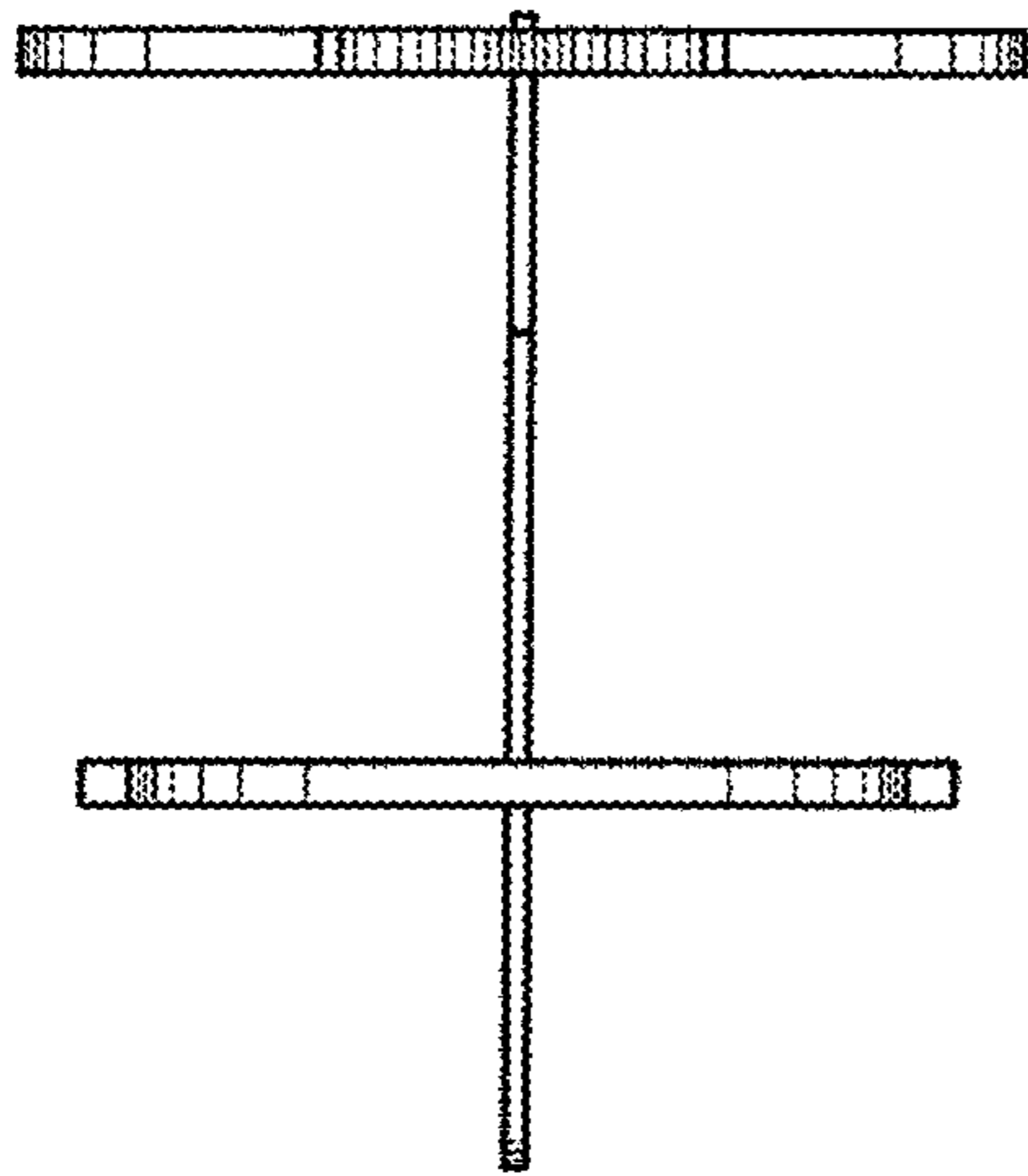


FIG. 2

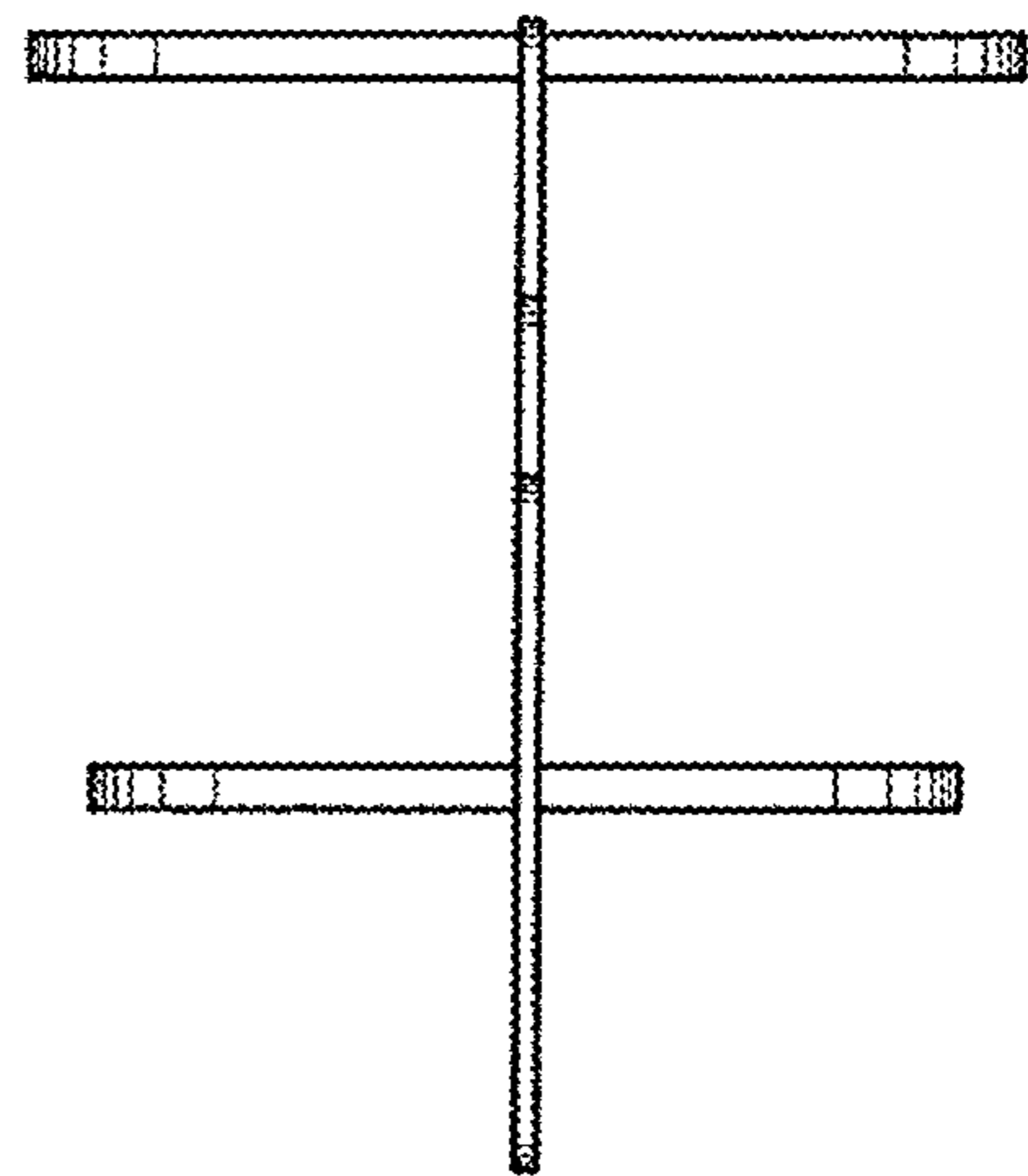


FIG. 3

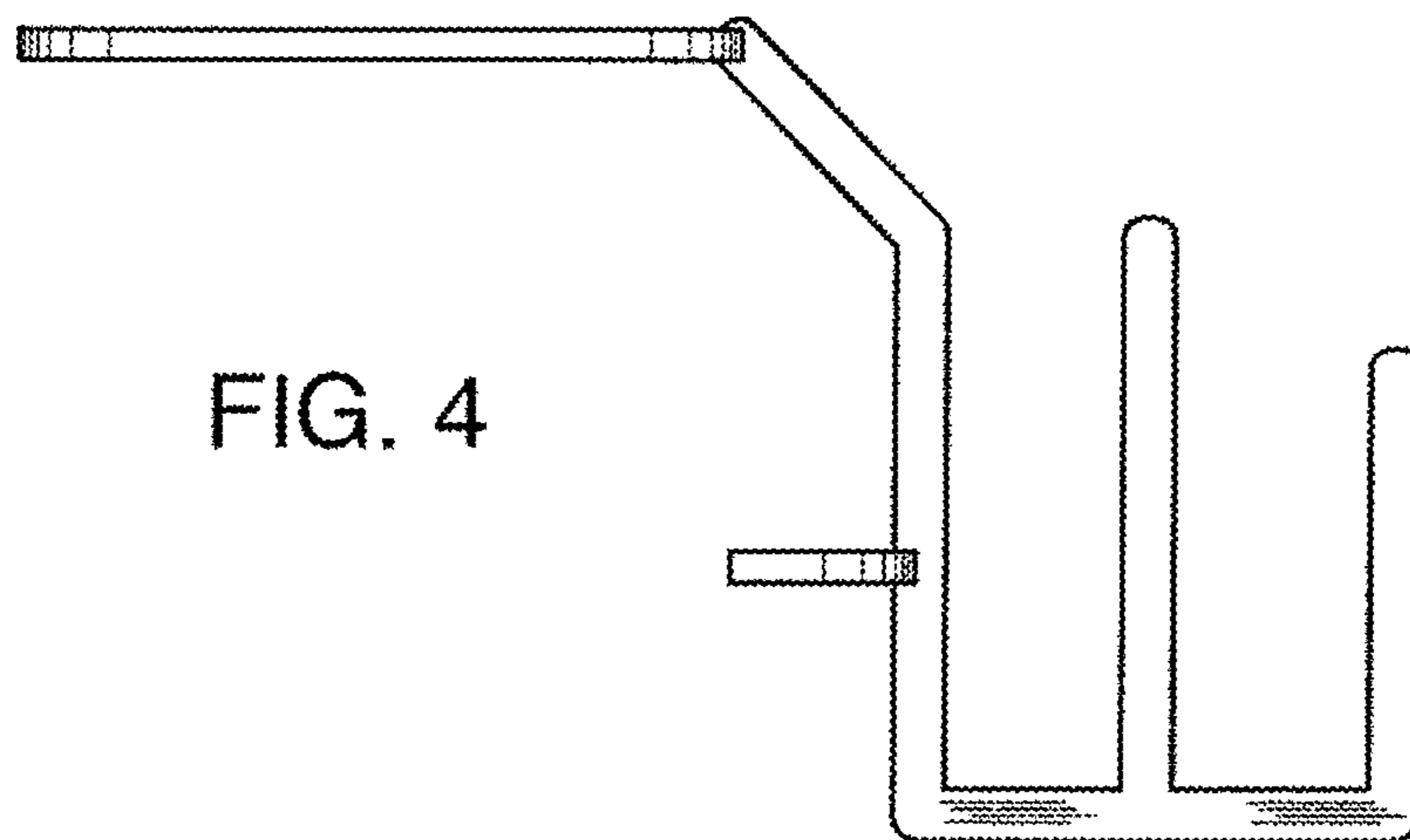


FIG. 4

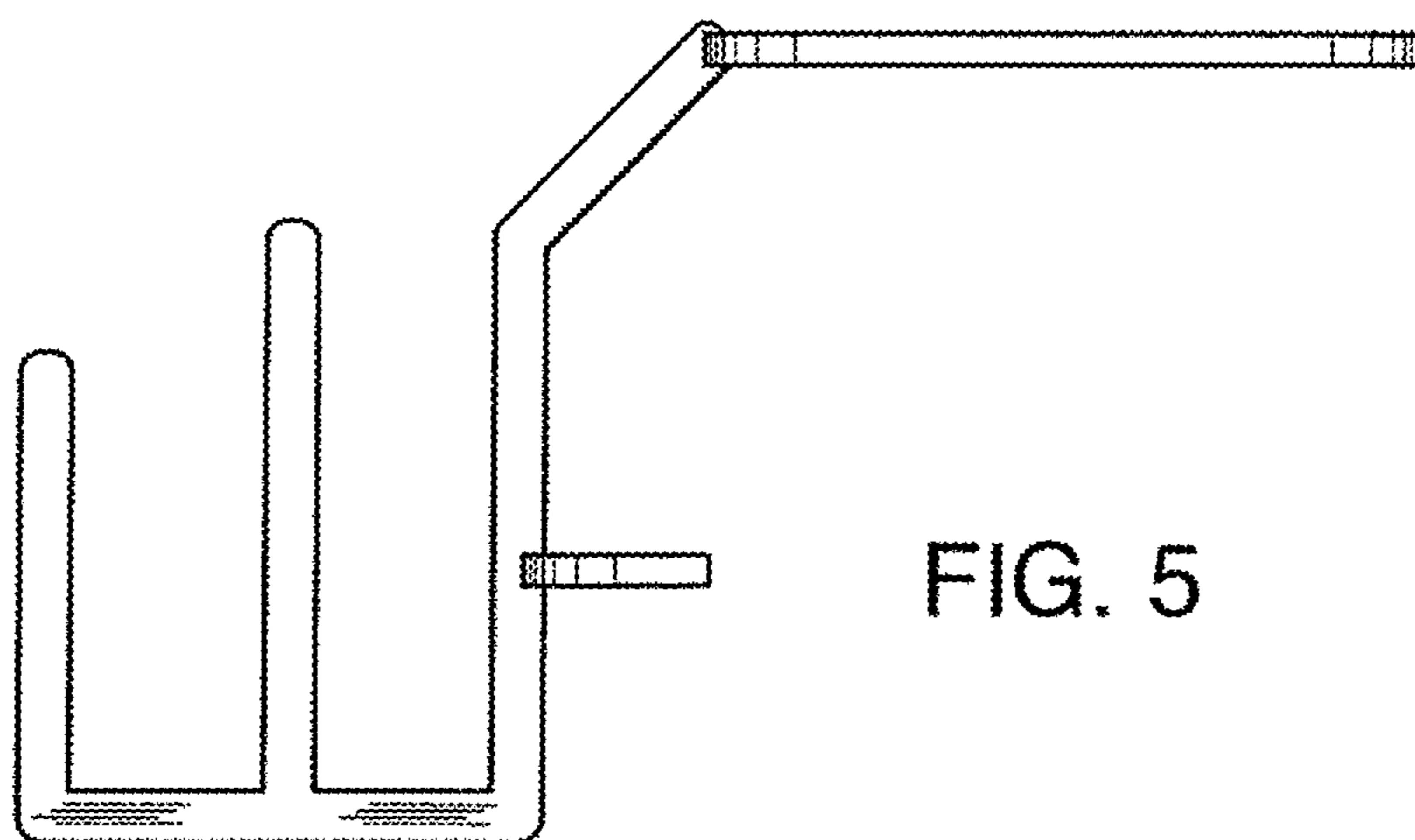


FIG. 5

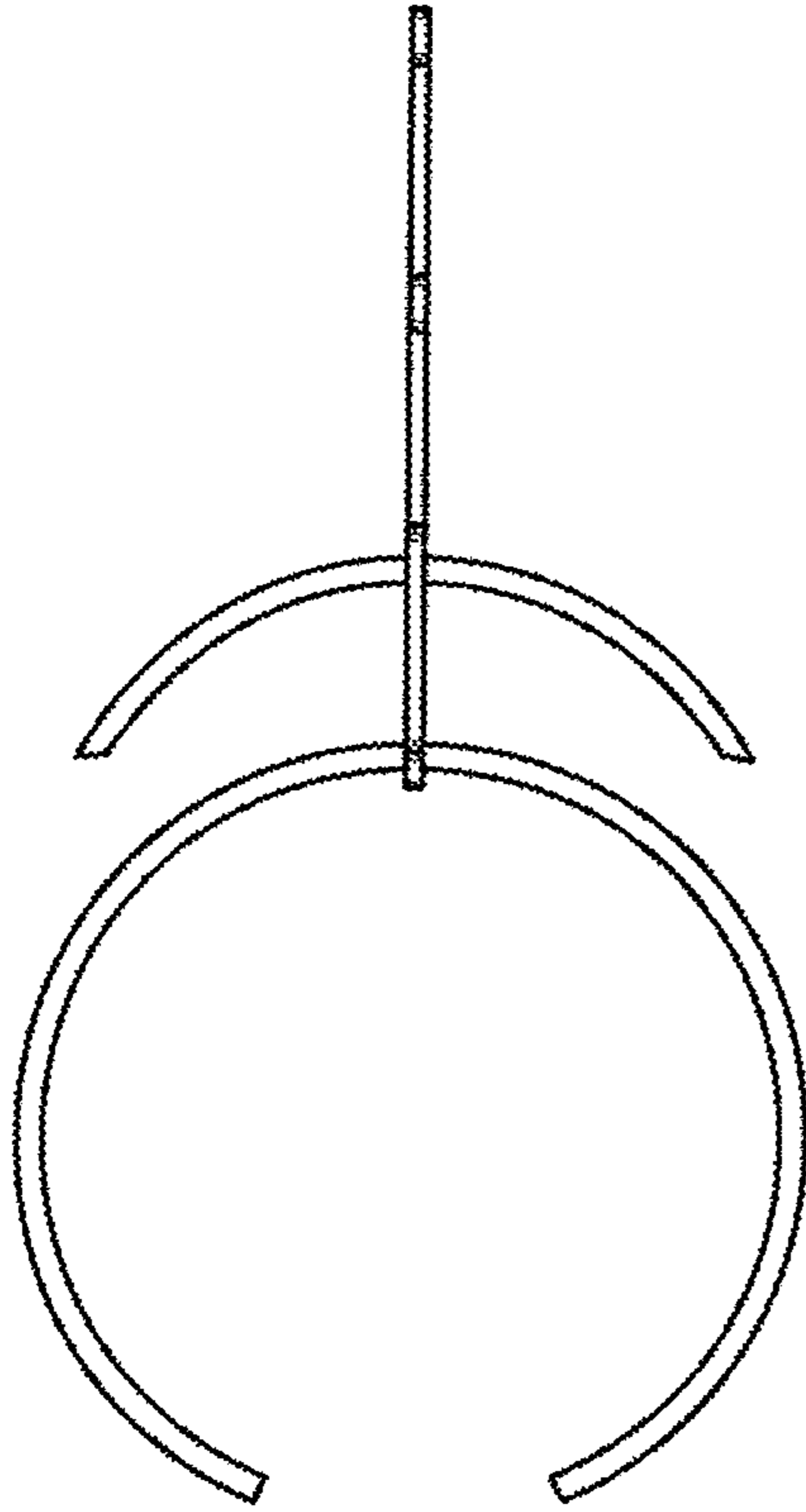


FIG. 6

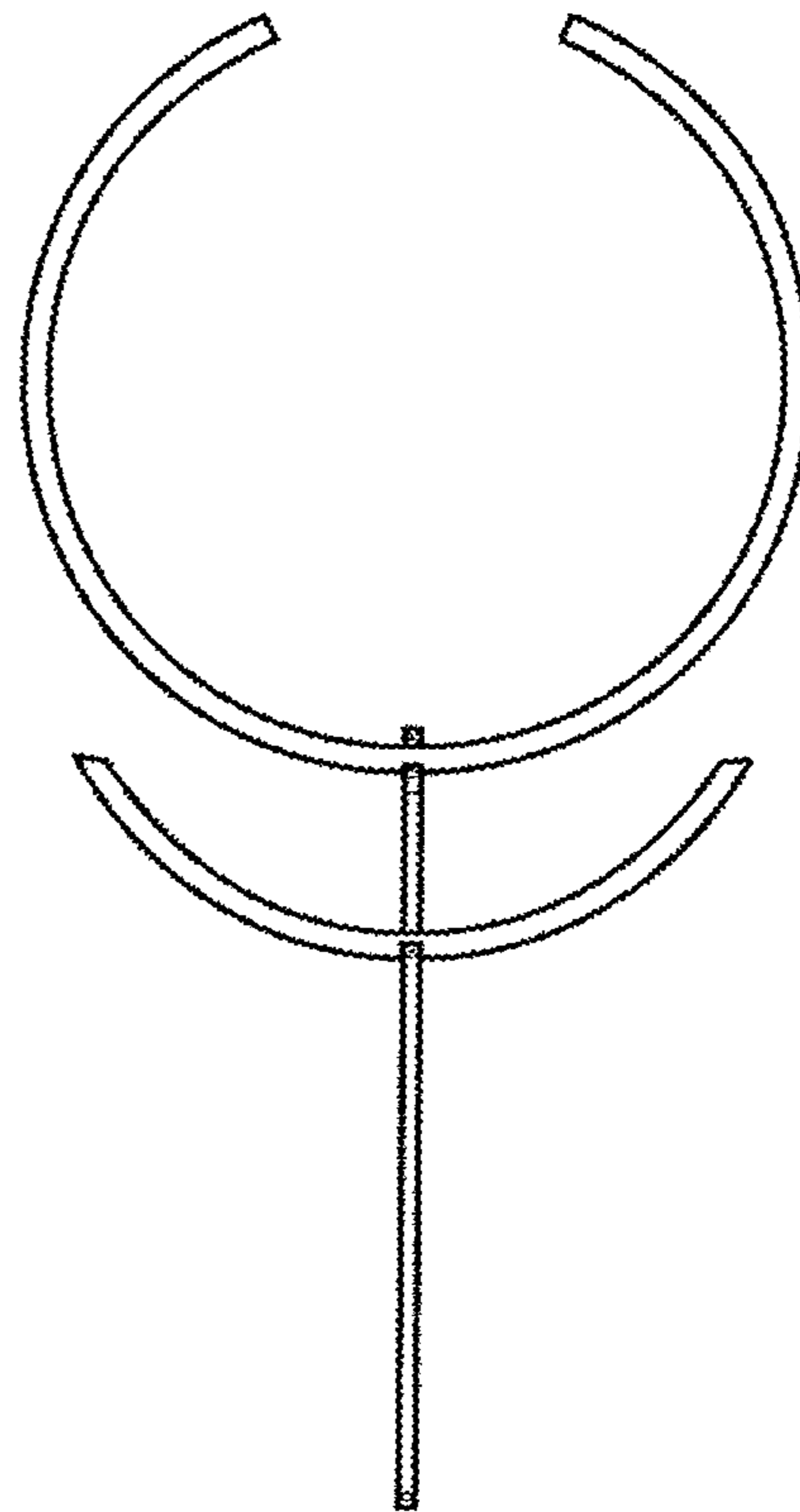


FIG. 7

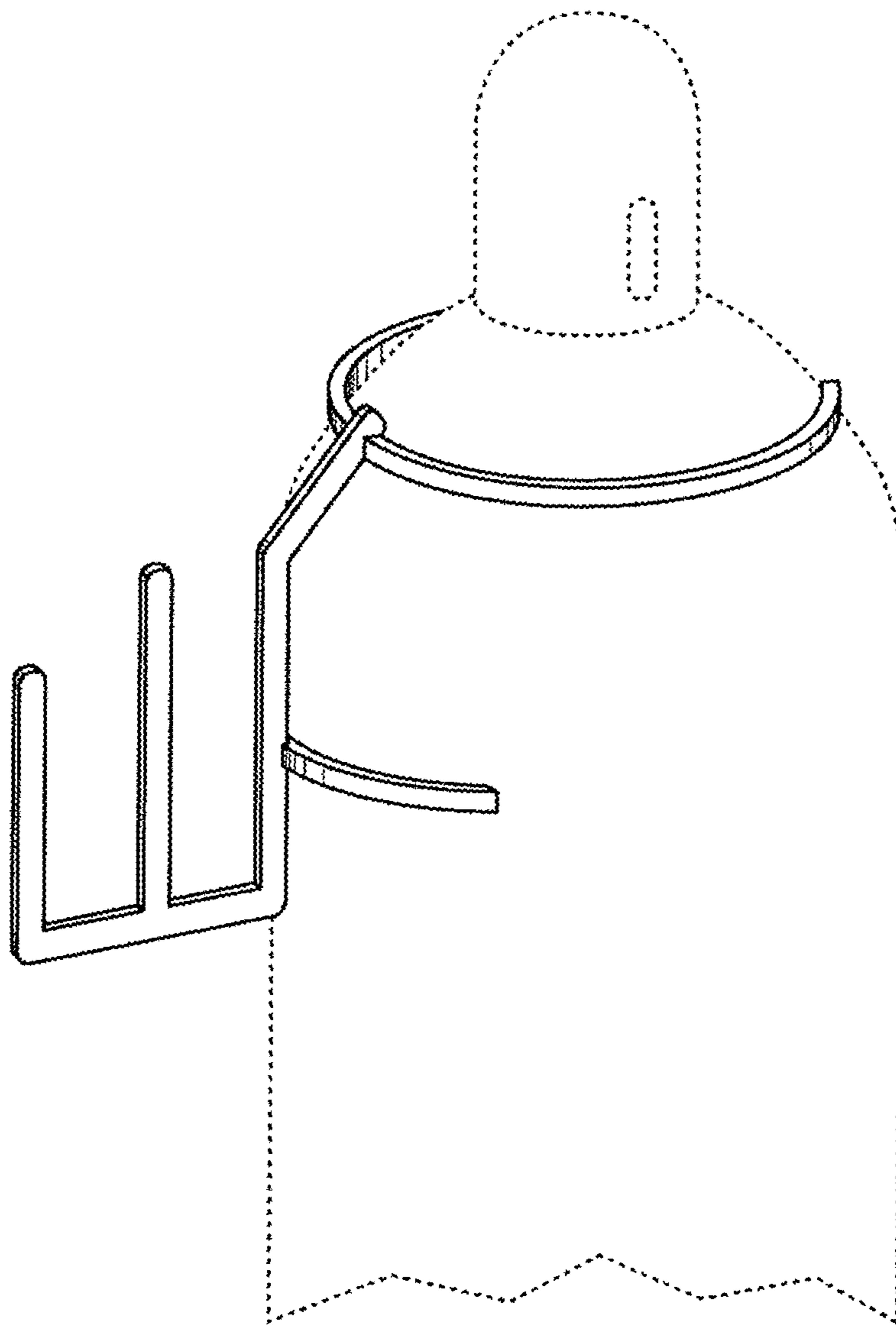


FIG. 8