



US00D869941S

(12) **United States Design Patent** (10) **Patent No.:** **US D869,941 S**  
**Exley** (45) **Date of Patent:** **\*\* Dec. 17, 2019**

(54) **HOSE REEL**  
(71) Applicant: **Ontel Products Corporation**, Fairfield, NJ (US)  
(72) Inventor: **Ross Exley**, Morristown, NJ (US)  
(73) Assignee: **ONTEL PRODUCTS CORPORATION**, Fairfield, NJ (US)

D475,609 S 6/2003 Lin  
D479,979 S \* 9/2003 Kovacik ..... D8/358  
D485,744 S 1/2004 Khubani  
6,792,970 B2 9/2004 Lin  
6,945,271 B2 9/2005 Huang  
D595,121 S \* 6/2009 Murphy ..... D8/358  
D595,566 S \* 7/2009 Radich ..... D8/359  
D598,962 S \* 8/2009 Hetman ..... D21/566  
D666,080 S 8/2012 Boehler  
D787,921 S \* 5/2017 Vanttilä ..... D8/359  
D850,036 S \* 5/2019 Fan ..... D32/14

(\*\*) Term: **15 Years**

\* cited by examiner

(21) Appl. No.: **29/653,213**

*Primary Examiner* — Eliza Z Bennett-Hattan

(22) Filed: **Jun. 13, 2018**

(74) *Attorney, Agent, or Firm* — Dickinson Wright PLLC

(51) **LOC (12) Cl.** ..... **08-05**

(57) **CLAIM**

(52) **U.S. Cl.**  
USPC ..... **D8/358**

The ornamental design for a hose reel, as shown and described.

(58) **Field of Classification Search**  
USPC ..... D8/358, 359, 356; D34/14, 24, 26;  
D22/140; D10/72; D13/155  
CPC ..... B65H 2701/33; B65H 75/4471; Y10T  
137/6954; Y10T 137/6899  
See application file for complete search history.

**DESCRIPTION**

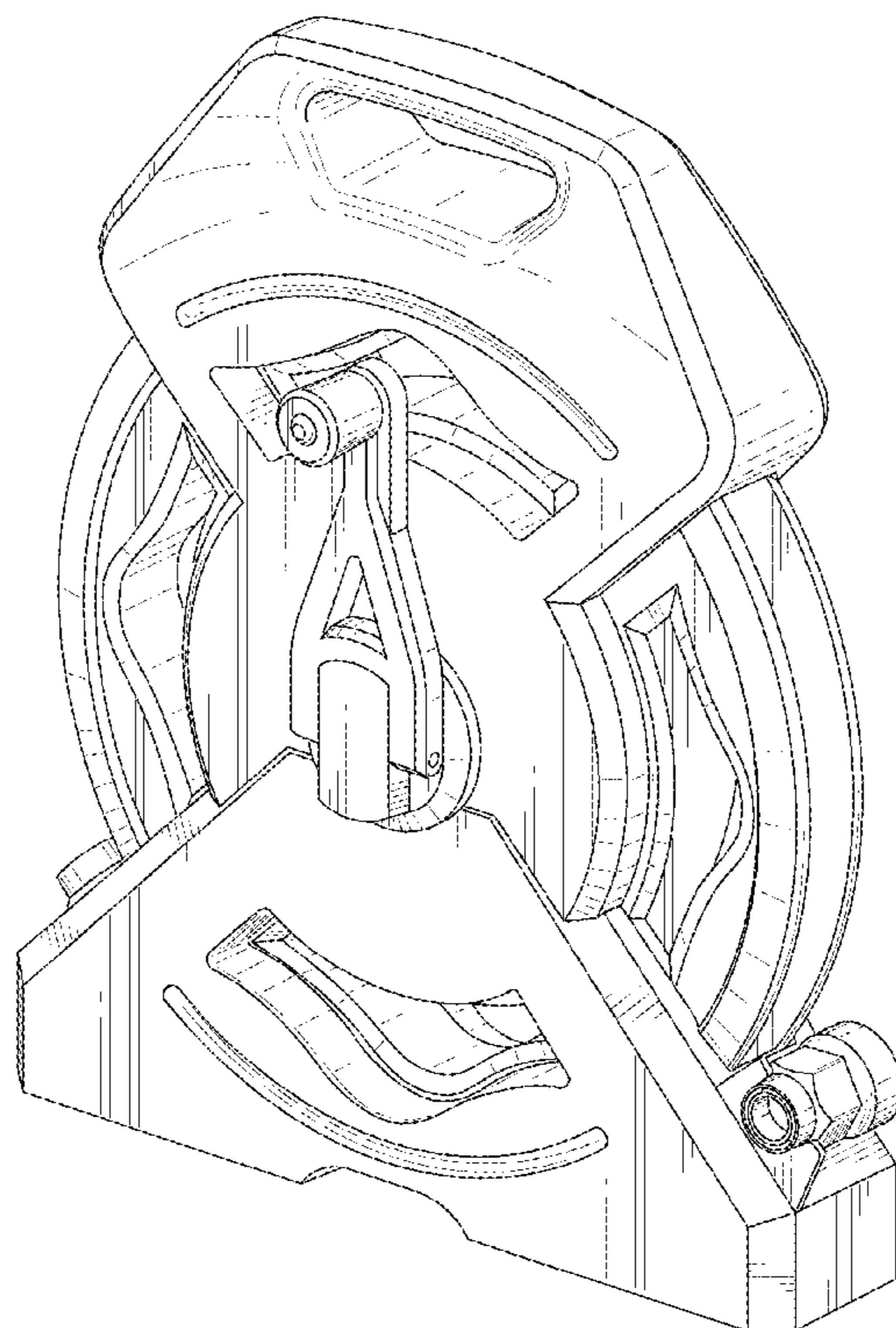
(56) **References Cited**

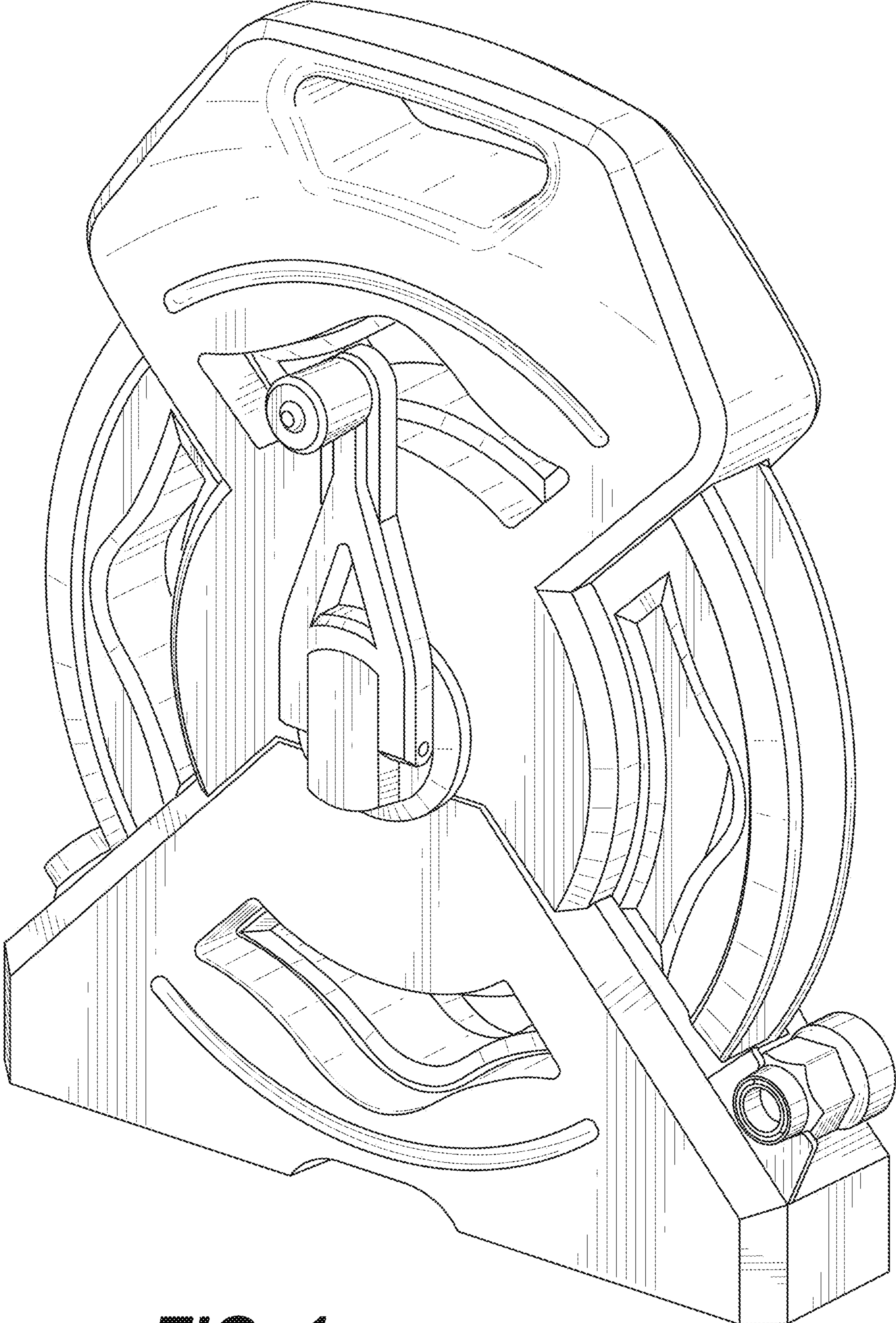
U.S. PATENT DOCUMENTS

D274,884 S \* 7/1984 Freitag ..... D8/359  
D352,232 S \* 11/1994 Apgar ..... D8/358  
D374,166 S \* 10/1996 Czerwinski ..... D8/359  
5,782,412 A 7/1998 Plantz et al.  
D400,853 S \* 11/1998 Chen ..... D13/119  
D404,286 S \* 1/1999 Plantz ..... D8/359  
D475,277 S 6/2003 Wu

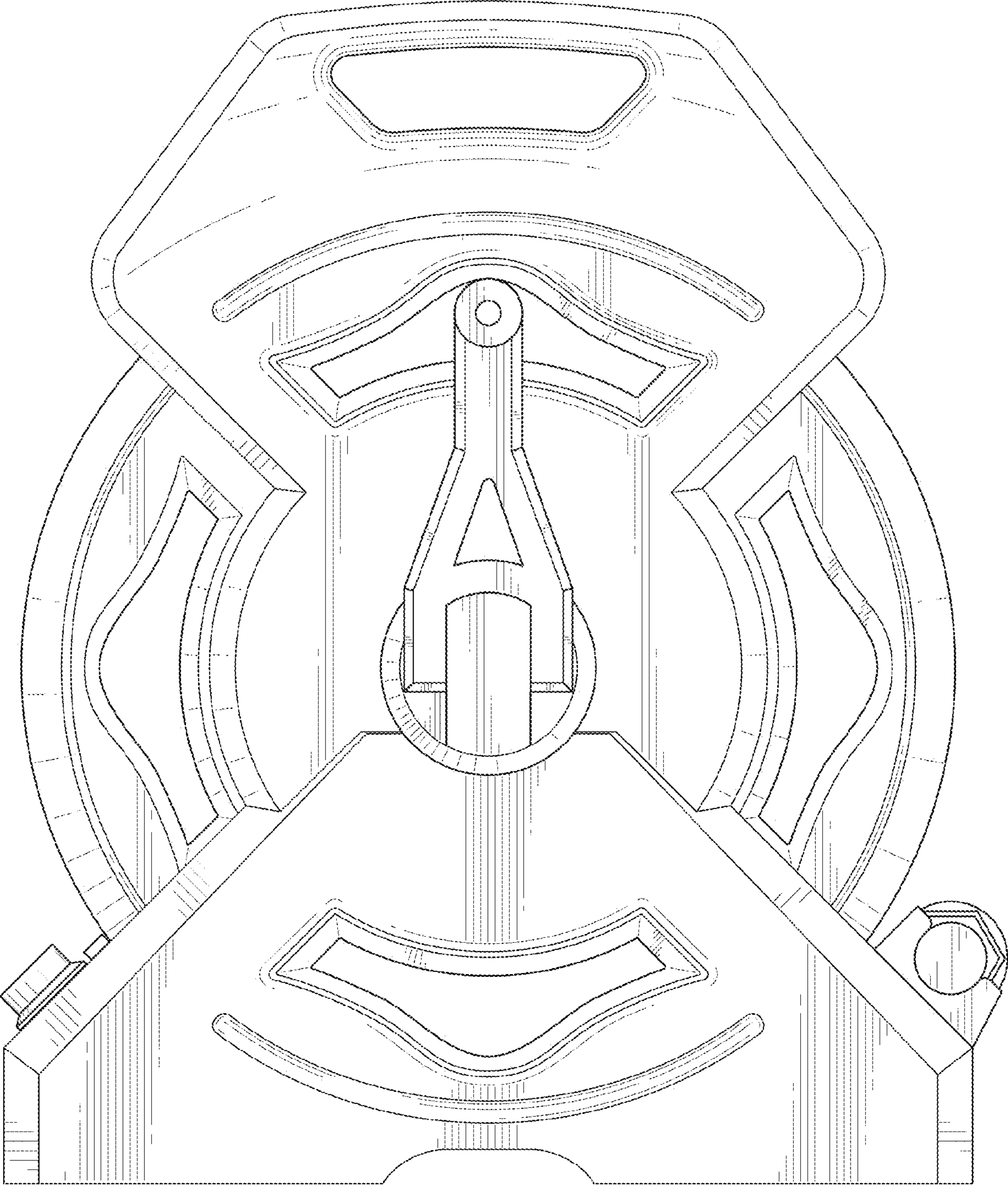
FIG. 1 is an isometric view of a hose reel;  
FIG. 2 is a front elevation view of the hose reel of FIG. 1;  
FIG. 3 is a rear elevation view of the hose reel of FIG. 1;  
FIG. 4 is a right side elevation view of the hose reel of FIG. 1;  
FIG. 5 is a left side elevation view of the hose reel of FIG. 1;  
FIG. 6 is a top plan view of the hose reel of FIG. 1; and  
FIG. 7 is a bottom plan view of the hose reel of FIG. 1; and,  
FIG. 8 is a rear perspective view of the hose reel of FIG. 1.  
The broken lines in the drawings are included for illustrating an environmental structure and form no part of the claimed design.

**1 Claim, 7 Drawing Sheets**

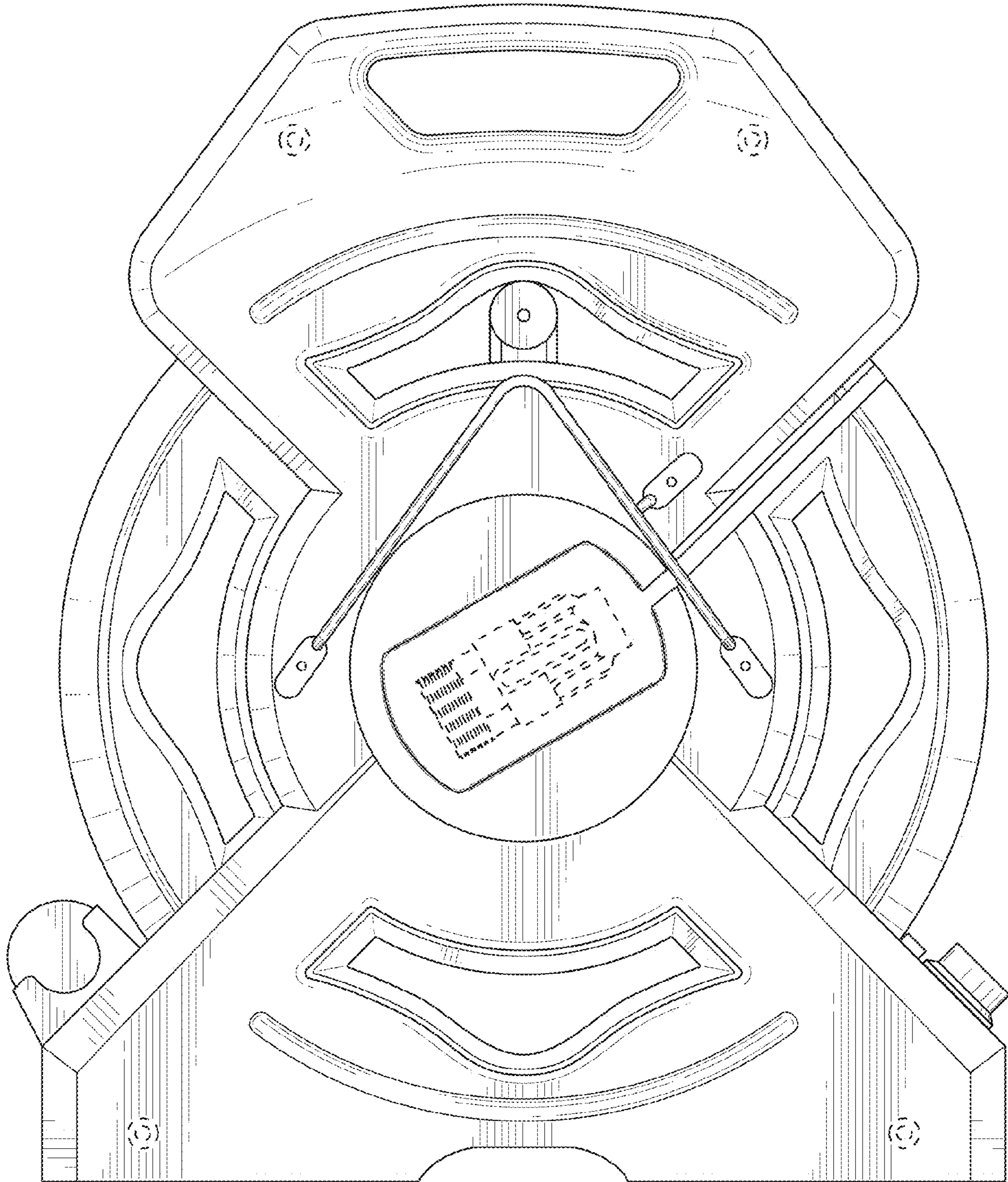




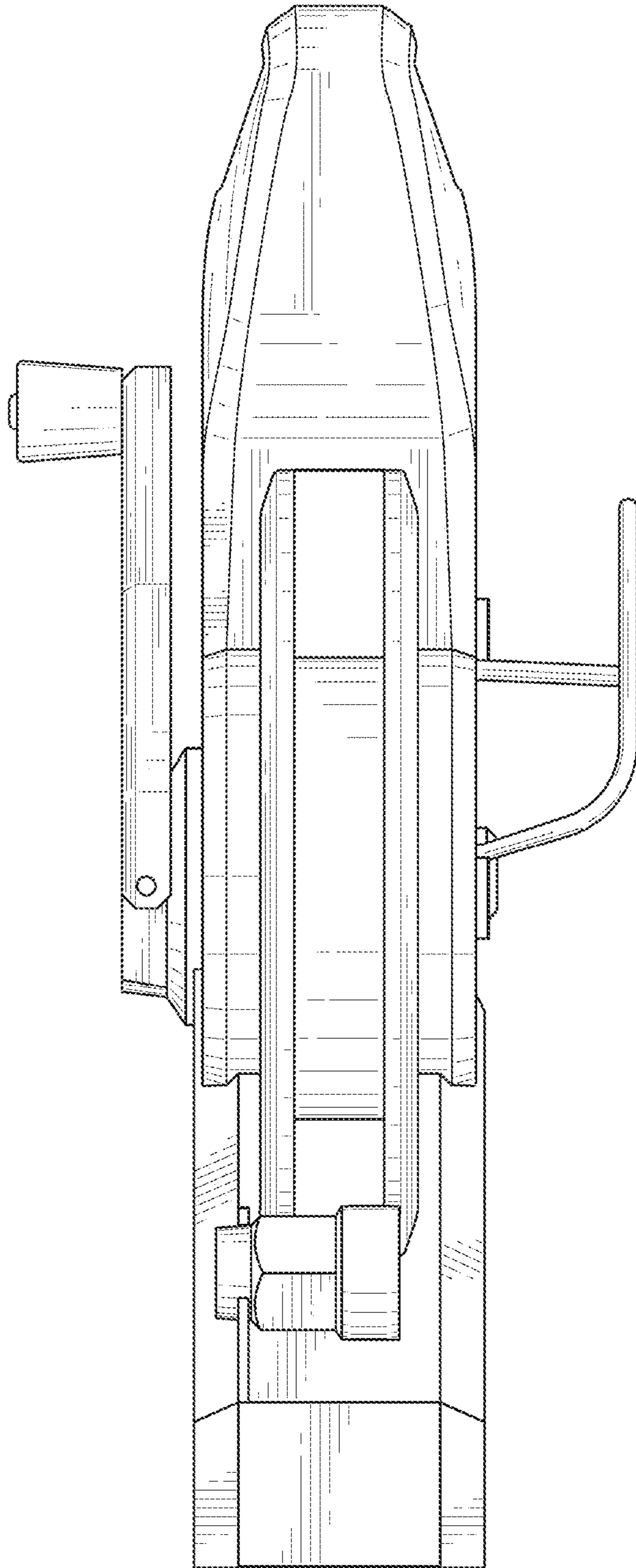
**FIG. 1**



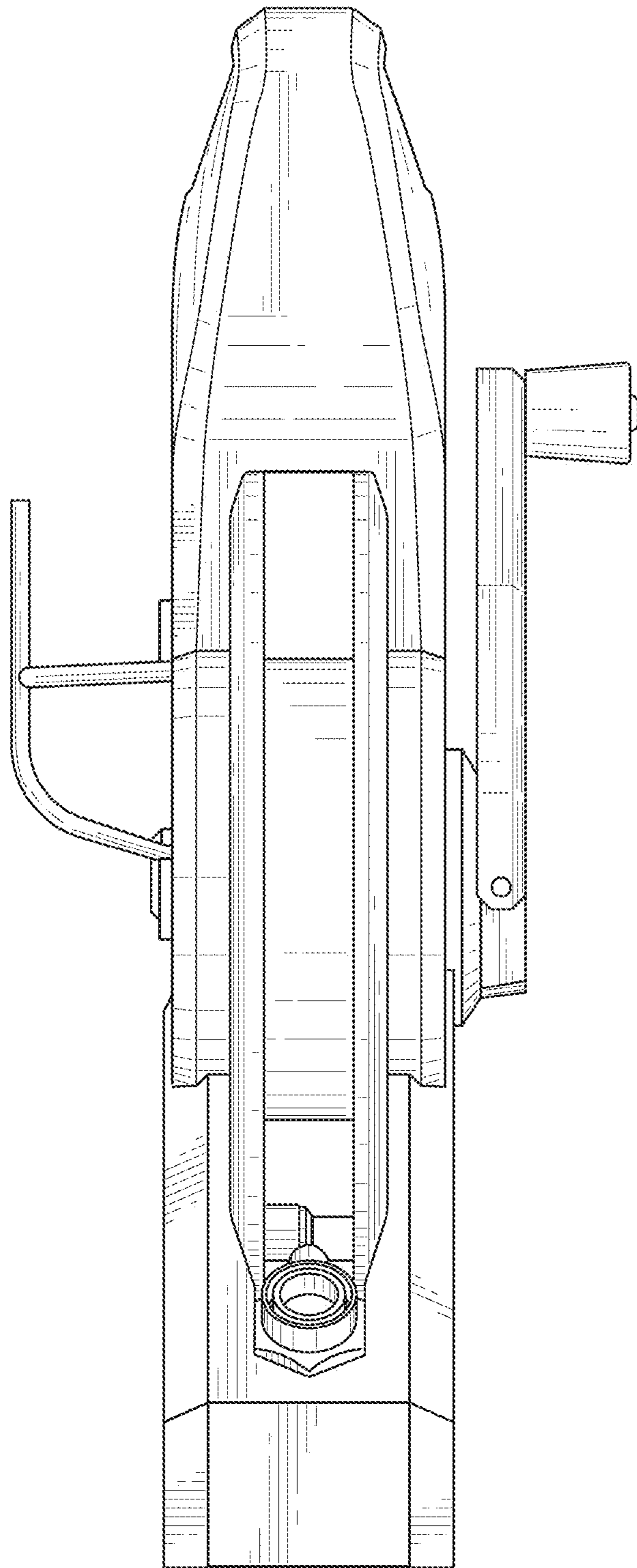
**FIG. 2**



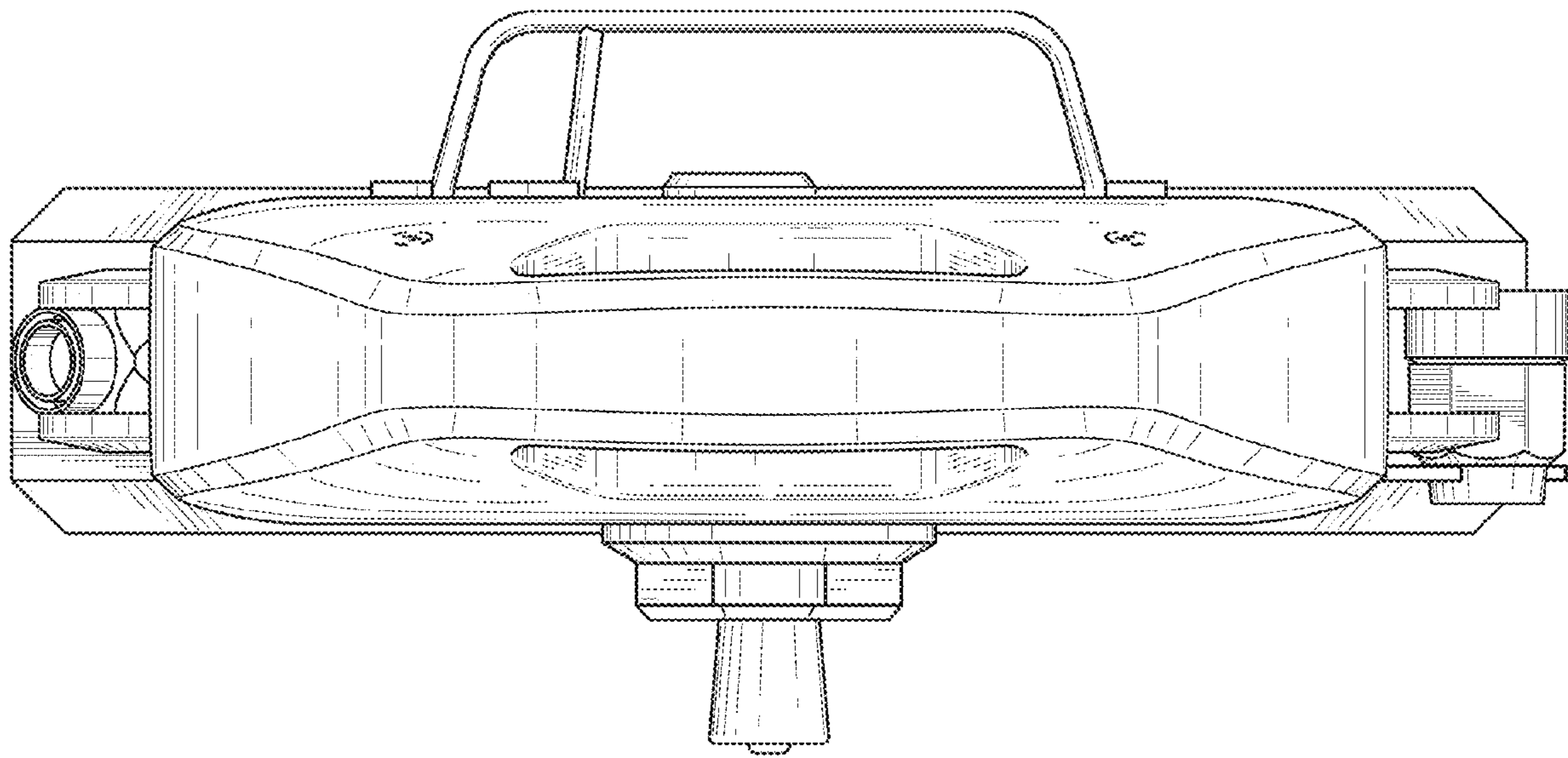
**FIG. 3**



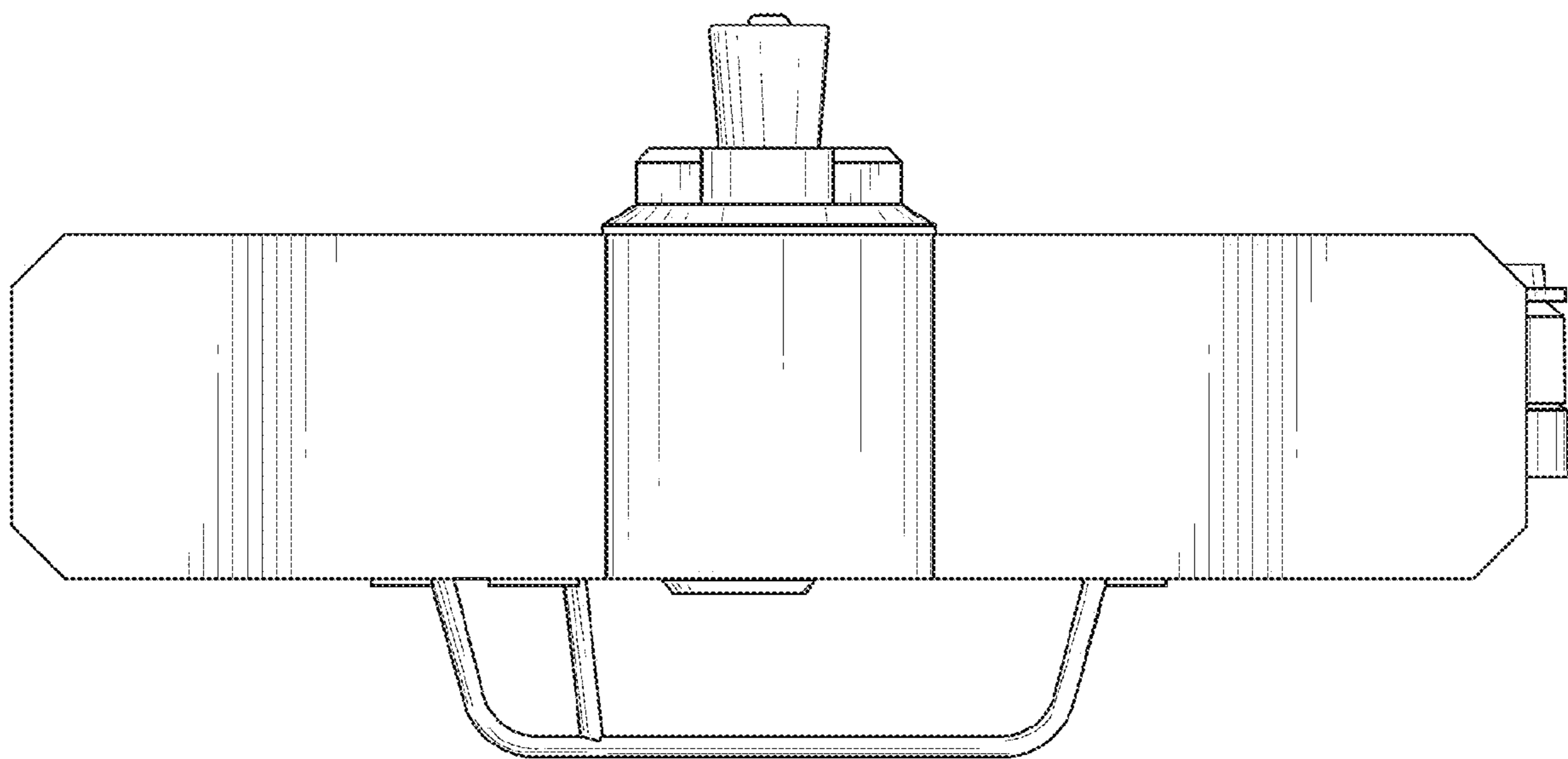
**FIG. 4**



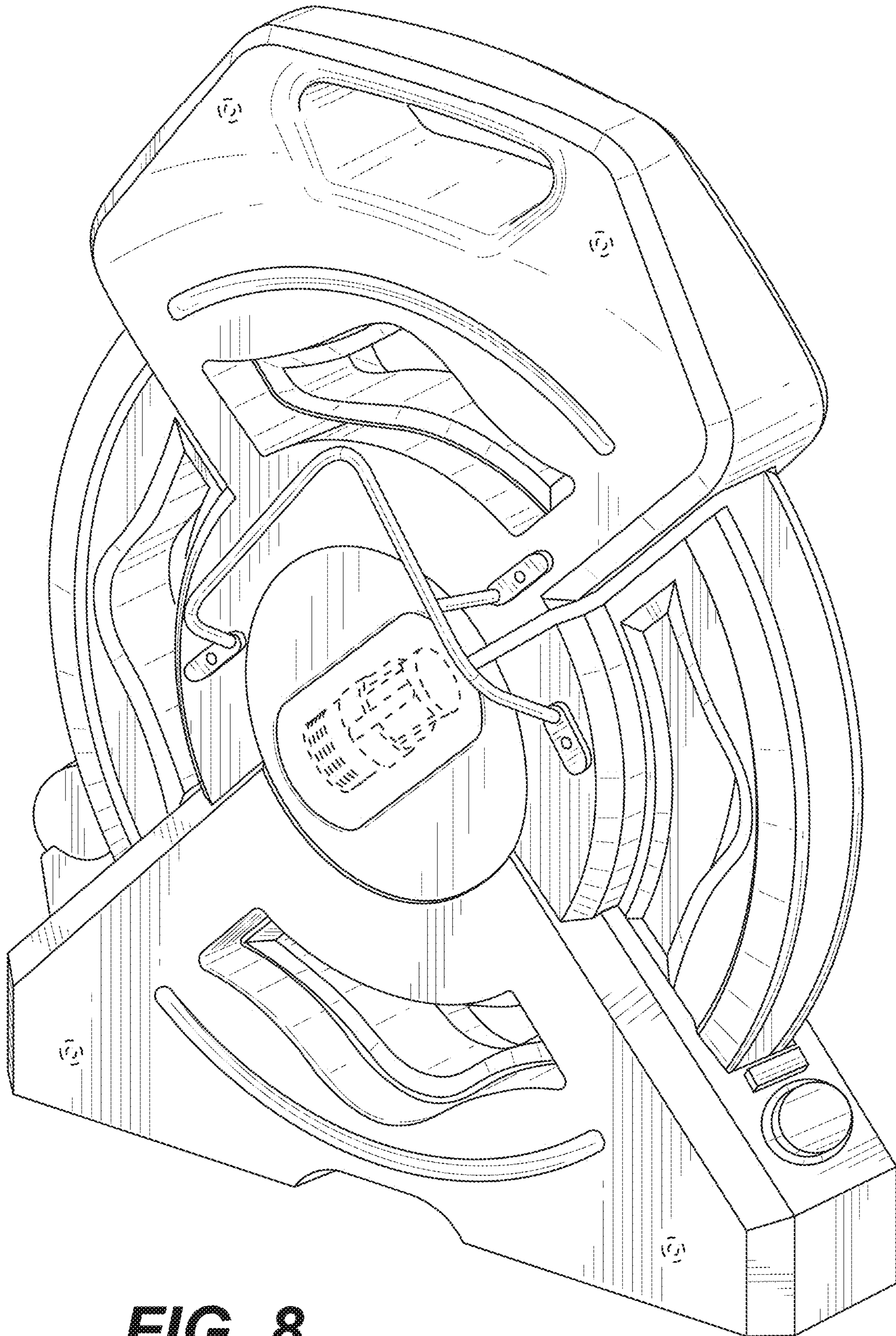
**FIG. 5**



**FIG. 6**



**FIG. 7**



**FIG. 8**