



US00D869940S

(12) **United States Design Patent**
Bailey

(10) **Patent No.:** **US D869,940 S**

(45) **Date of Patent:** **** Dec. 17, 2019**

(54) **HOLIDAY LIGHT REEL**

(71) Applicant: **Michael James Bailey**, Saginaw, MI
(US)

(72) Inventor: **Michael James Bailey**, Saginaw, MI
(US)

(**) Term: **15 Years**

(21) Appl. No.: **29/602,739**

(22) Filed: **May 3, 2017**

(51) **LOC (12) Cl.** **08-05**

(52) **U.S. Cl.**
USPC **D8/358**

(58) **Field of Classification Search**

USPC D08/373, 358, 359, 354, 71, 330, 336,
D08/351, 356, 360.1, 363, 364, 367, 370,
D08/372, 379, 381, 382, 395, 396;
D06/349, 352; D09/426, 502, 750;
D10/72, 73, 89; D11/79, 93; D13/103,
D13/107; D19/67; D21/673, 674, 675,
D21/839, 840; D25/19, 62, 68, 69;
D26/40, 49; D29/122, 124; D30/153,
D30/155

CPC B65H 75/40; B65H 75/4407; B65H
75/4471; B65H 2701/34; B65H 2701/32;
B65H 2511/142; B65H 29/008; B65H
2701/33; B65H 54/585; B65H 51/22;
B65H 75/08; B65H 75/02; B65H
2301/41485; B65H 75/4468; B65H
2301/414323; B65H 2301/414325; B65H
16/02; B65H 2301/4131; B65H 75/403;
B65H 75/441; B65D 85/66; B65D 85/67;
B66D 3/006; B66D 3/18; B66D 3/26;
B66D 3/02; B66D 3/14; B63B 21/18;
B63B 21/26; B65B 57/005; A61G
7/1051; A61G 7/1061; B66B 11/08;
A62C 33/04; B08B 2203/0276; B21C
47/28; H02G 11/02; A01K 89/003; H04M
1/15; A01D 34/822; A47L 9/26; H04R
1/1033; Y10S 24/909; E05C 19/10; E05C
17/50; E05C 3/045; E05C 3/30; E05C

19/02; E05C 19/026; A47G 25/0614;
A47G 25/18; A47G 25/32; A47G 7/047;
A47G 7/045; A47G 7/042; A47G 7/044;
F16B 12/44; F16B 12/46; F16B 5/0614;
F16B 12/02; E04B 1/2612; E04B
2001/2415; E04B 1/5818; E04B 1/5831;
A47B 88/0055; E04F 11/1812; F16L
1/0246; A01G 9/024; A01G 25/14; A01G
27/001; A01G 9/042; A01G 27/005;
A01G 31/001; A01G 9/02; A01G 9/083;
A01G 9/12

See application file for complete search history.

(56) **References Cited**

U.S. PATENT DOCUMENTS

D73,731 S * 10/1927 Wilson D11/125
1,840,214 A 1/1932 Shaw
2,048,300 A 7/1936 Showers
D193,236 S * 7/1962 Hopp et al. 211/50
3,626,495 A 12/1971 Bastion

(Continued)

FOREIGN PATENT DOCUMENTS

DE 19715765 10/1998

Primary Examiner — Karen E Kearney

Assistant Examiner — Kristin E Reed

(74) *Attorney, Agent, or Firm* — Mitchell Law PLLC;
Matthew W. Mitchell

(57) **CLAIM**

The ornamental design for a holiday light reel, as shown and described.

DESCRIPTION

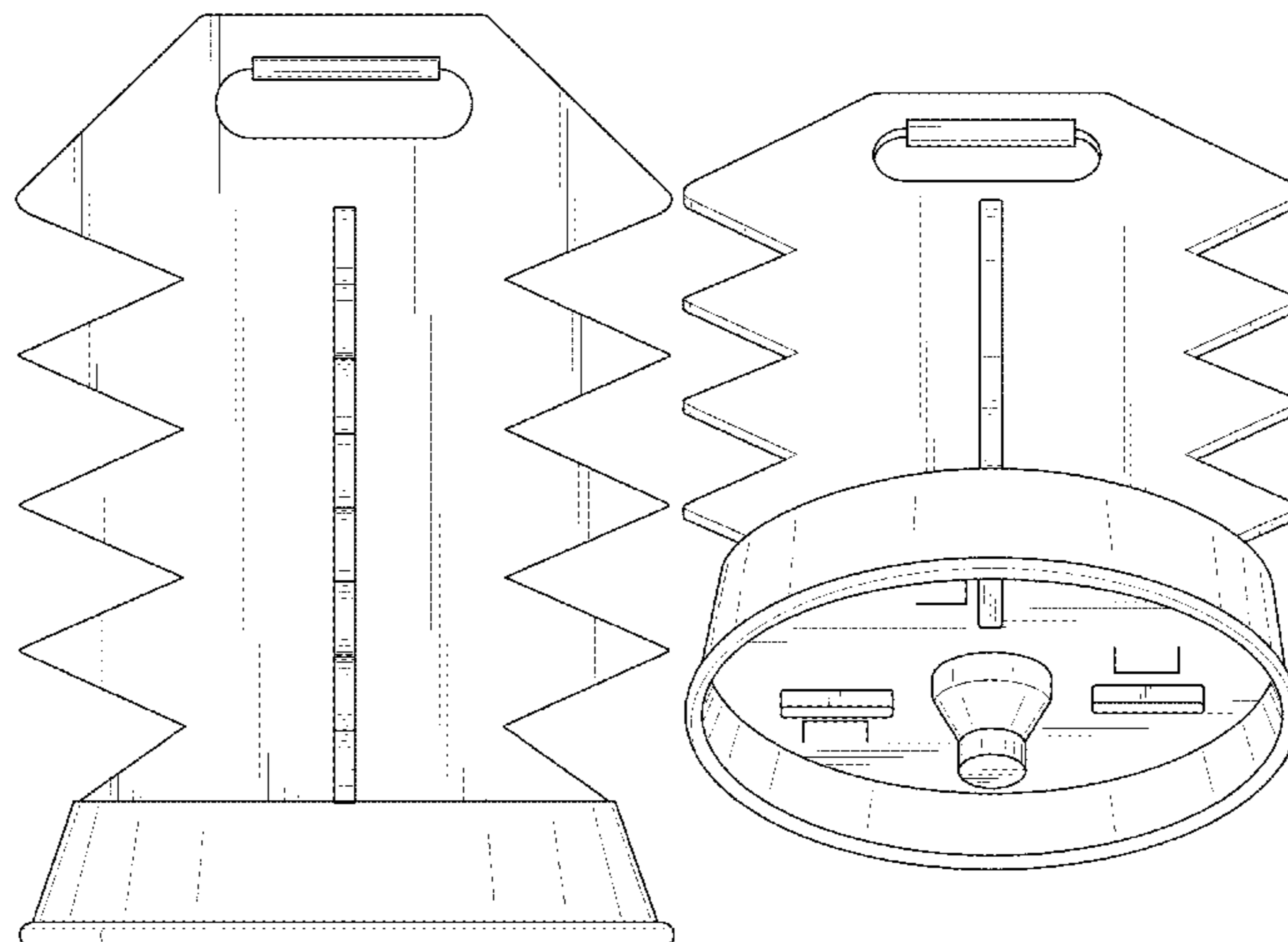
FIG. 1 is a front view of a holiday light reel in accordance with the present disclosure;

FIG. 2 is a side view thereof;

FIG. 3 is a bottom view thereof; and,

FIG. 4 is a bottom perspective view thereof.

1 Claim, 4 Drawing Sheets



(56)

References Cited

U.S. PATENT DOCUMENTS

D233,977 S 12/1974 Dyal
3,952,438 A * 4/1976 Propst A01K 11/00
40/300
4,917,323 A 4/1990 Wing
D329,010 S * 9/1992 Schaeffer, III D8/358
D347,989 S * 6/1994 DeWard D3/23
D353,527 S * 12/1994 Drake D6/682.4
D395,593 S * 6/1998 Okamoto D8/358
D397,285 S 8/1998 Zindel
D417,011 S * 11/1999 Woller, Sr. D25/64
D431,178 S 9/2000 Hong
D431,439 S * 10/2000 Morris D8/71
6,237,769 B1 5/2001 Collom
6,557,792 B1 5/2003 Snow
D508,395 S * 8/2005 Gamble D8/363
D513,698 S * 1/2006 Murphy D8/356
7,318,561 B1 1/2008 Giampietro
D627,623 S * 11/2010 Densmore D8/354
D676,736 S * 2/2013 Goldberg D8/367
2007/0183147 A1 8/2007 Herlands

* cited by examiner

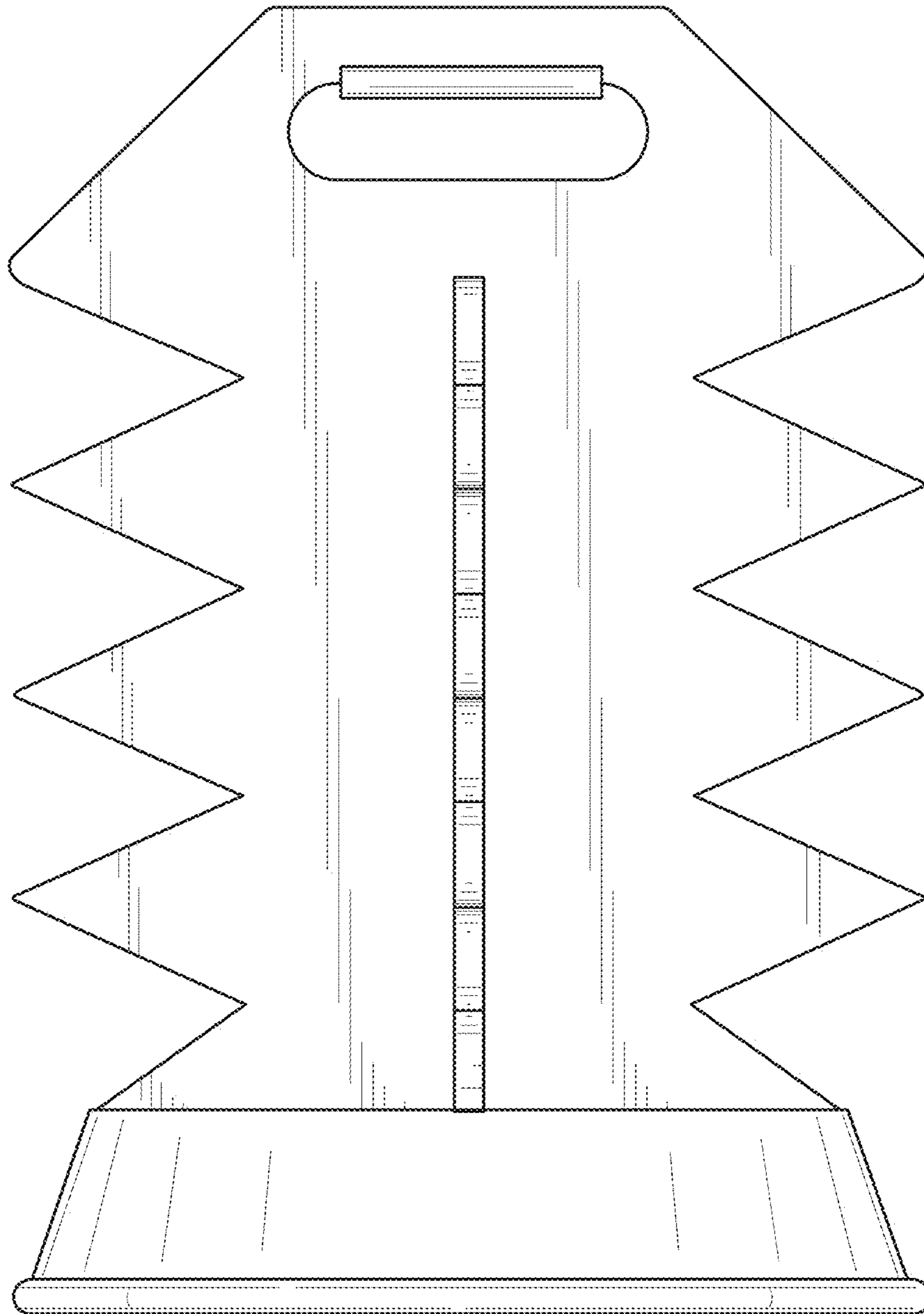


FIG. 1

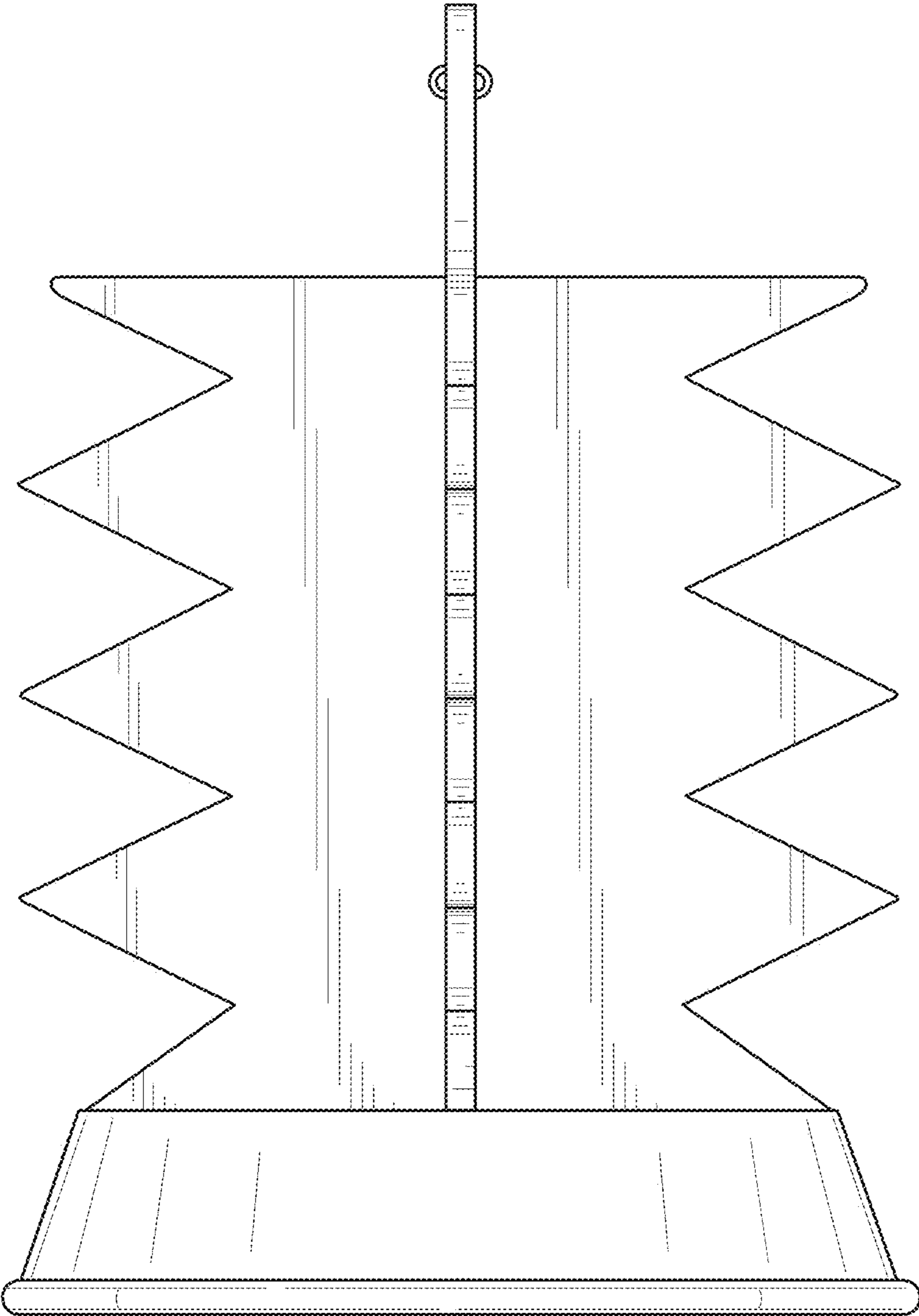


FIG. 2

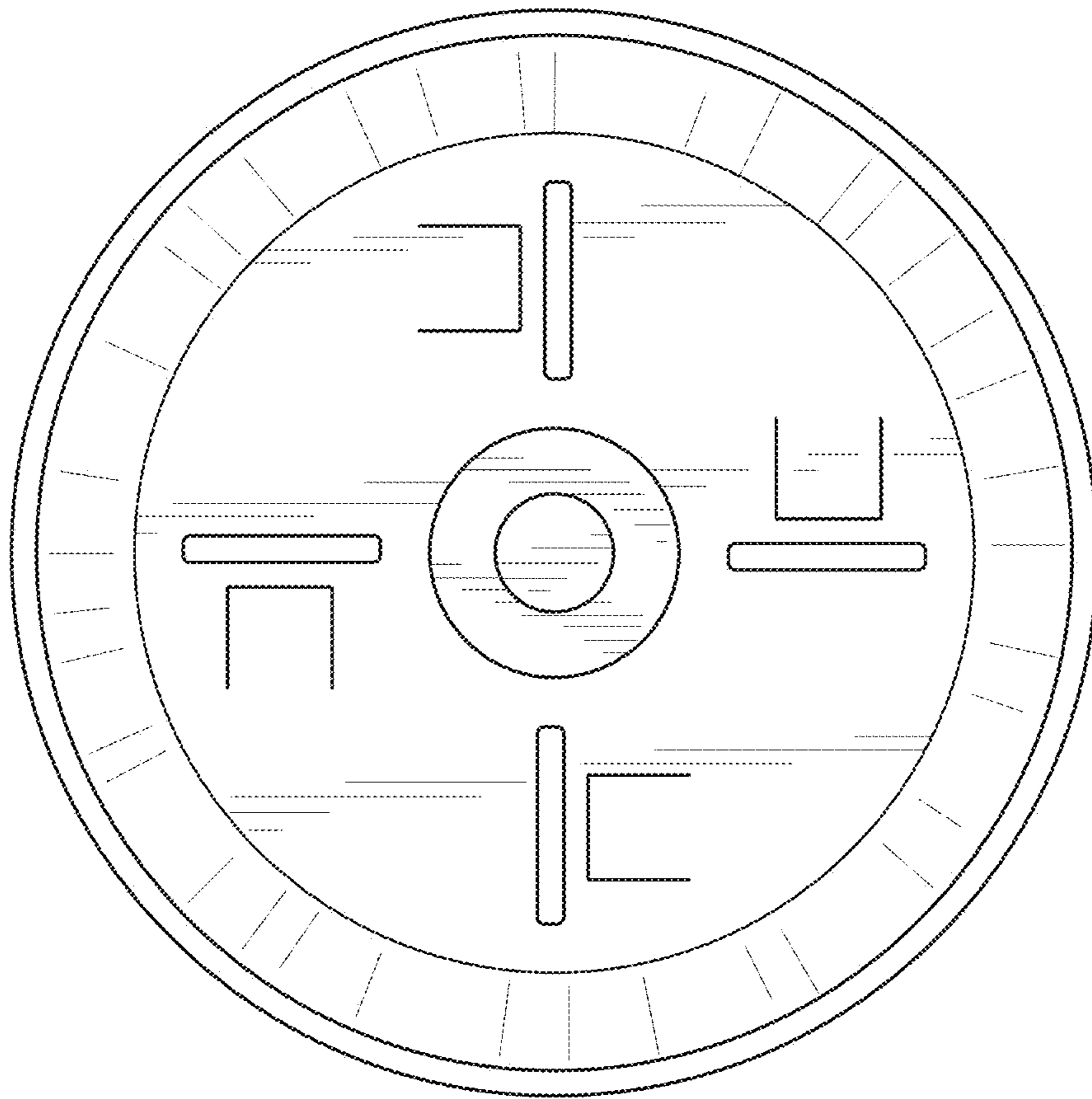


FIG. 3

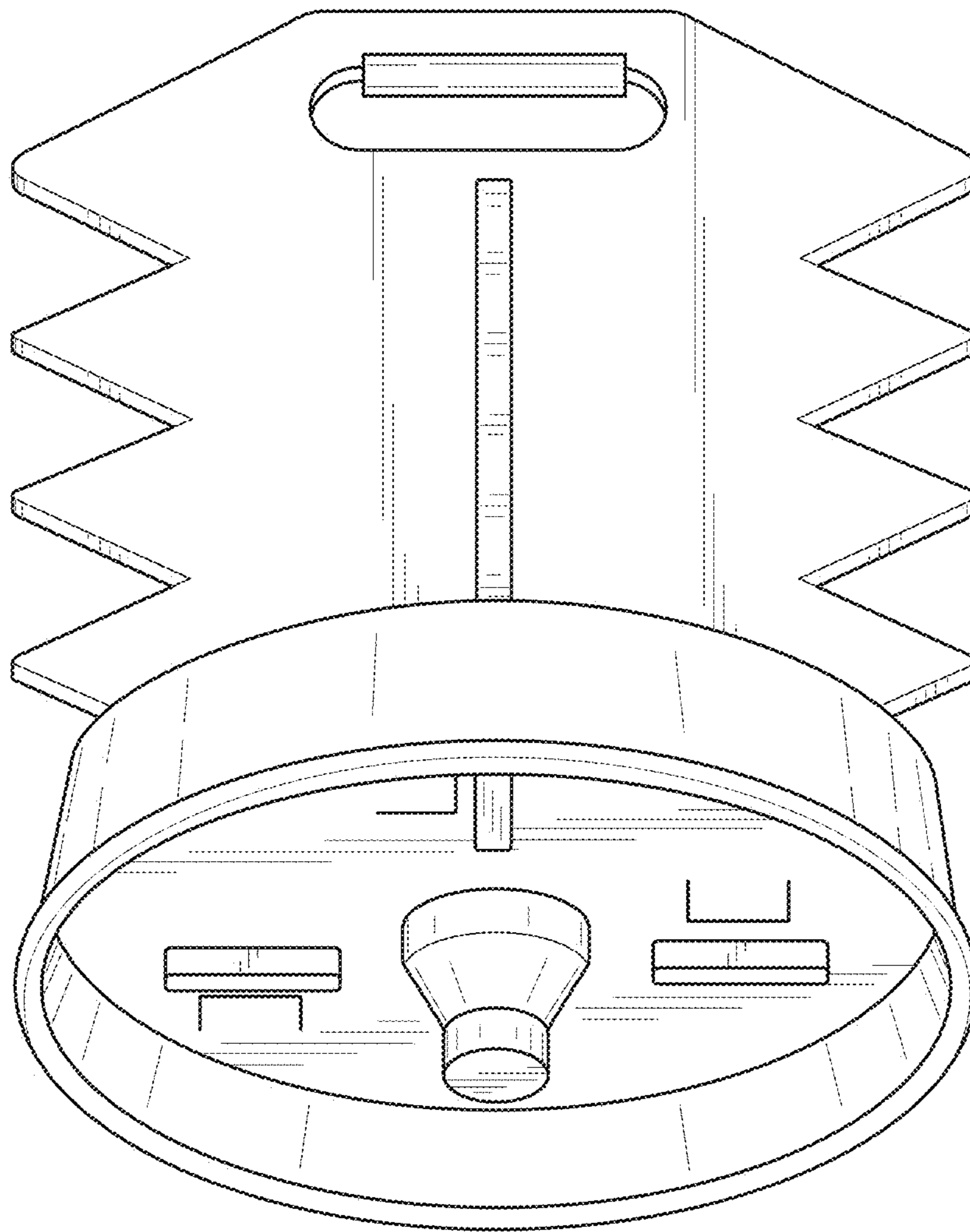


FIG. 4