

US00D869939S

(12) **United States Design Patent** (10) **Patent No.:** **US D869,939 S**
Petzl (45) **Date of Patent:** **** Dec. 17, 2019**

(54) **ROPE CLIMBING APPARATUS**

(71) Applicant: **ZEDEL**, Crolles (FR)

(72) Inventor: **Paul Petzl**, Barraux (FR)

(73) Assignee: **ZEDEL**, Crolles (FR)

(**) Term: **15 Years**

(21) Appl. No.: **29/672,347**

(22) Filed: **Dec. 5, 2018**

(30) **Foreign Application Priority Data**

Jul. 17, 2018 (EM) 005504867-0001

(51) **LOC (12) Cl.** **09-06**

(52) **U.S. Cl.**
USPC **D8/356**

(58) **Field of Classification Search**
USPC D8/356, 354, 349, 99, 105, 360;
D13/155; 320/107; 403/322.2; D3/201;
431/274
CPC H02J 7/0026; H02J 7/0021; H02J 7/0027;
Y02E 60/12; F16B 45/00; F16B 7/042;
F23Q 1/06; A63B 29/02; A62B 1/14;
B65H 57/16

See application file for complete search history.

(56) **References Cited**

U.S. PATENT DOCUMENTS

4,399,889 A * 8/1983 Todd A62B 1/14
182/193
4,596,314 A * 6/1986 Rogelja A62B 1/14
182/5
5,076,400 A * 12/1991 Petzl A62B 1/14
188/65.5
5,975,243 A * 11/1999 Lorbek A62B 1/14
182/192

7,658,264 B2 * 2/2010 Mauthner A62B 1/14
182/5
D687,700 S * 8/2013 Petzl D8/360
D708,507 S * 7/2014 Fretz D8/360
9,498,655 B2 * 11/2016 Paglioli A62B 1/14
D819,429 S * 6/2018 Newing D8/356
10,092,781 B2 * 10/2018 Malcolm A62B 1/14
D843,813 S * 3/2019 Tillitski D8/356
10,315,056 B2 * 6/2019 Klinke A62B 1/14
2003/0196853 A1 * 10/2003 LeBeau A62B 1/14
182/5
2004/0020727 A1 * 2/2004 Petzl A62B 1/14
188/65.1
2006/0081418 A1 * 4/2006 Thompson A63B 29/02
182/193
2009/0120720 A1 * 5/2009 Arms A62B 1/14
182/193
2011/0073417 A1 * 3/2011 Chaumontet A62B 1/14
188/65.5

(Continued)

Primary Examiner — Cynthia R Underwood

(74) *Attorney, Agent, or Firm* — Oliff PLC

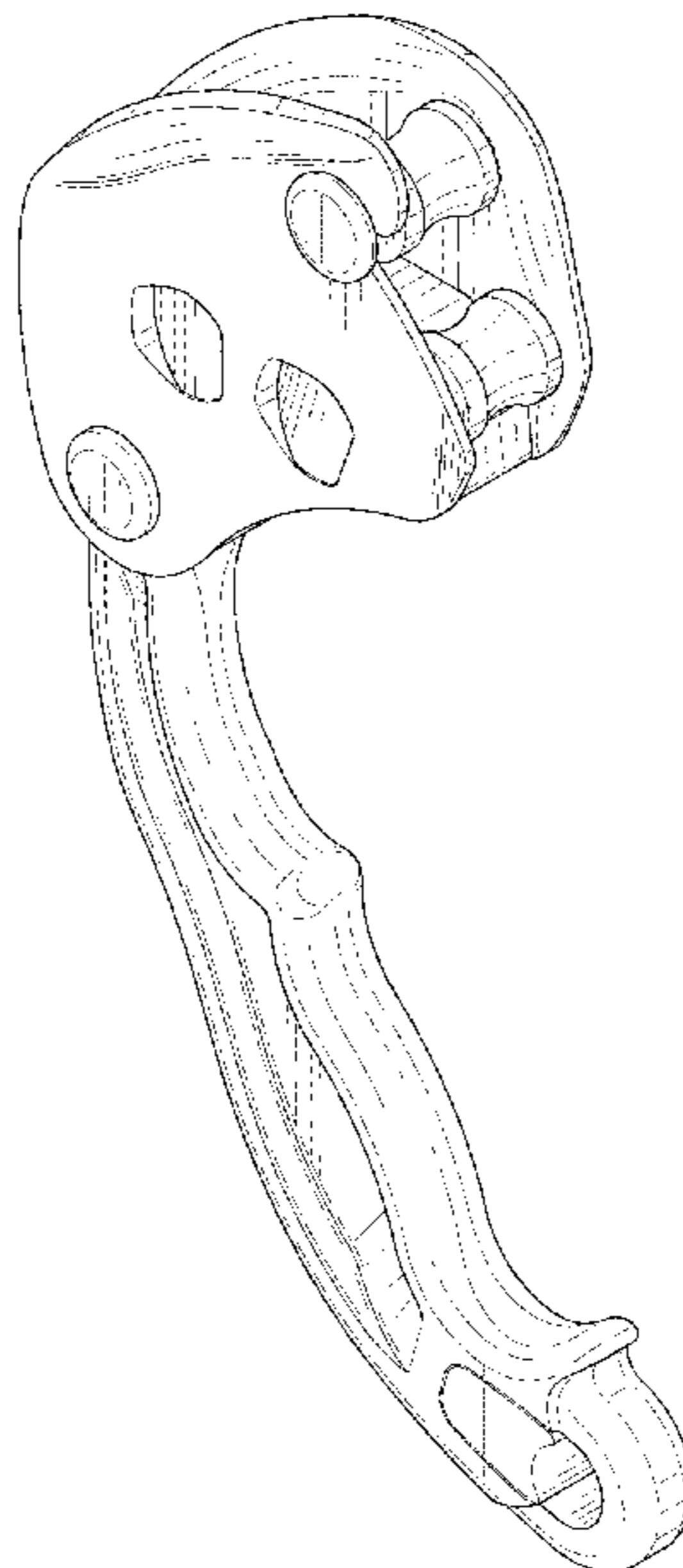
(57) **CLAIM**

The ornamental design for a rope climbing apparatus, as shown and described.

DESCRIPTION

FIG. 1 is a front, left-side, top perspective view of the rope climbing apparatus;
 FIG. 2 is a front elevational view thereof;
 FIG. 3 is a top plan view thereof;
 FIG. 4 is a left-side elevational view thereof;
 FIG. 5 is a right-side elevational view thereof;
 FIG. 6 is a rear elevational view thereof;
 FIG. 7 is a bottom plan view thereof; and,
 FIG. 8 is a rear, right-side, bottom perspective view thereof.
 The broken lines depict portions of the rope climbing apparatus that form no part of the claimed design.

1 Claim, 8 Drawing Sheets



(56)

References Cited

U.S. PATENT DOCUMENTS

2011/0315480 A1* 12/2011 Maurice A62B 1/14
182/193
2013/0032433 A1* 2/2013 Codega A62B 1/14
182/5
2013/0180800 A1* 7/2013 Mauthner A62B 1/14
182/5
2016/0287913 A1* 10/2016 Bell A62B 1/20

* cited by examiner

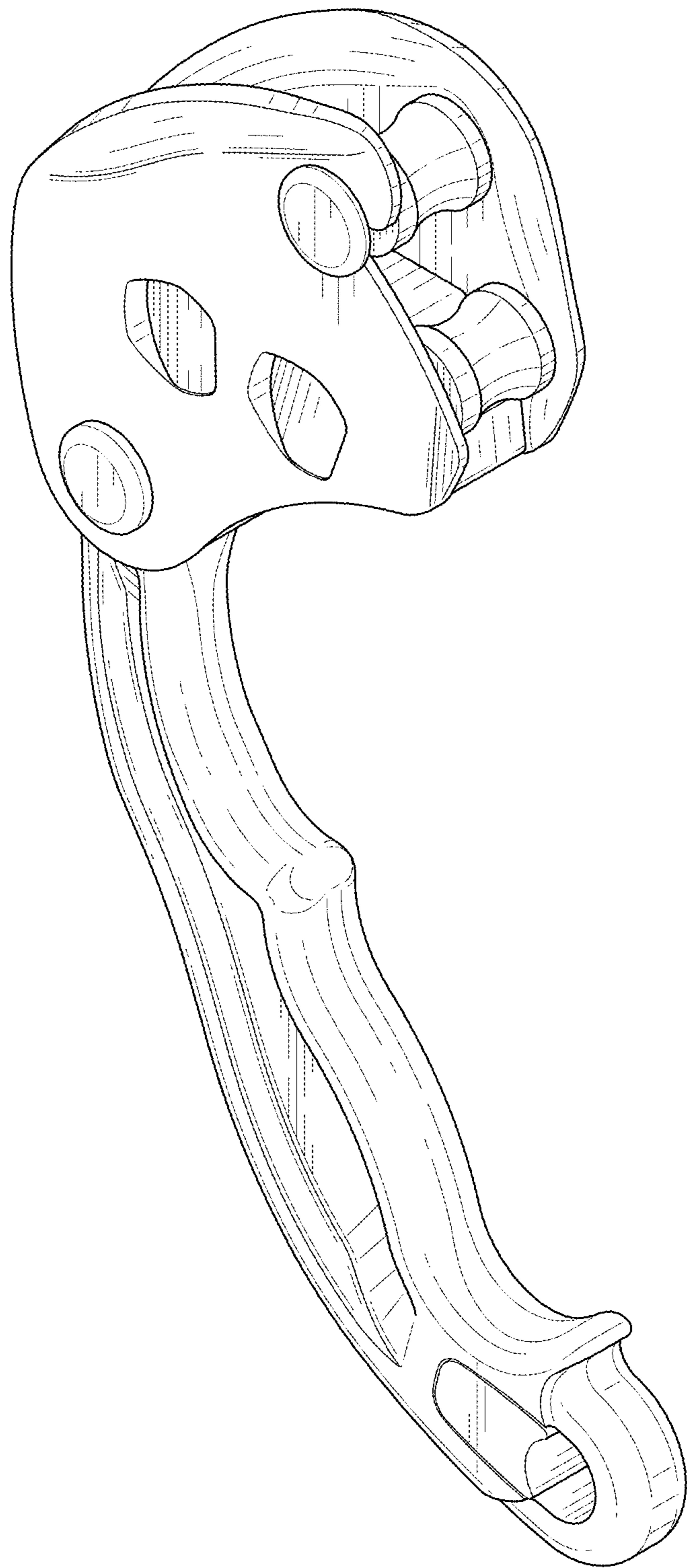


FIG. 1

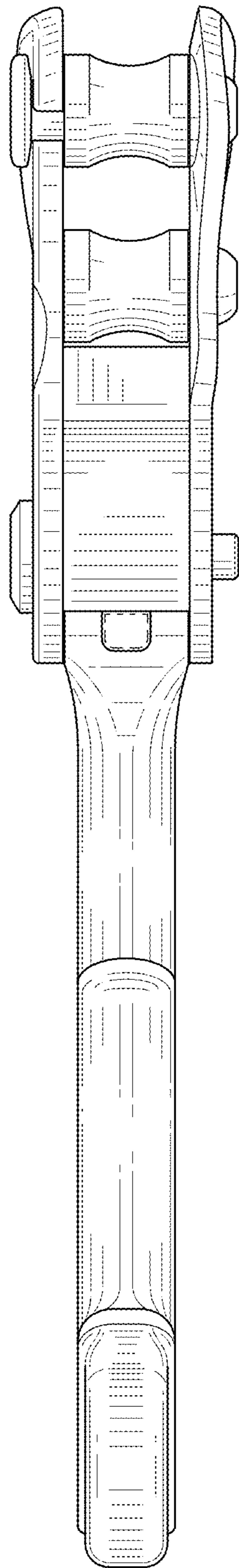


FIG. 2

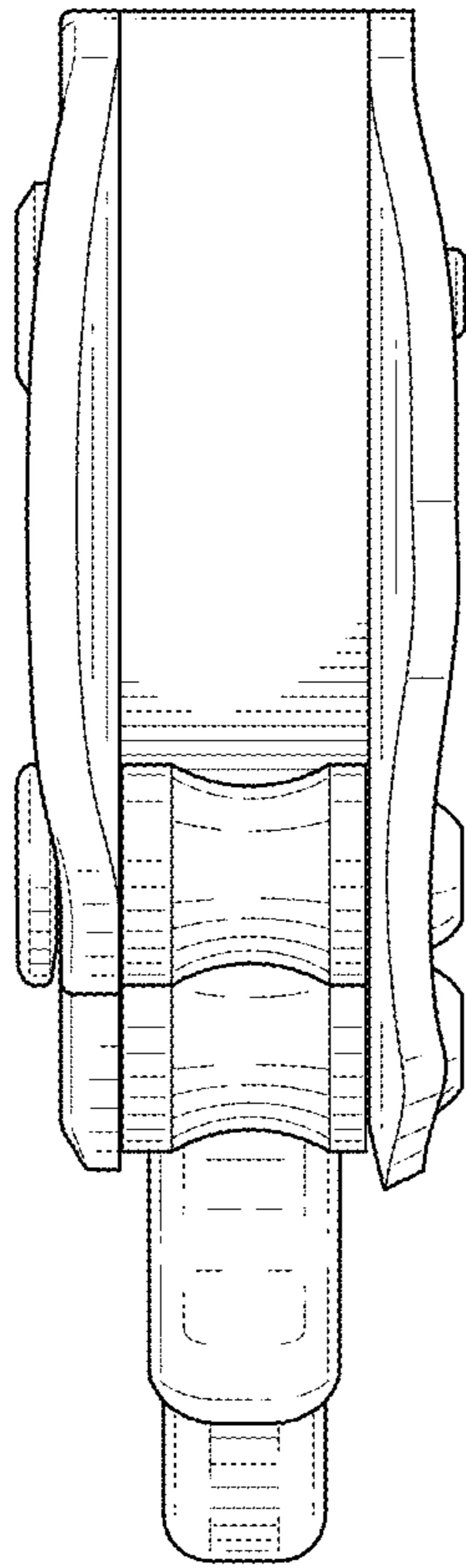


FIG. 3

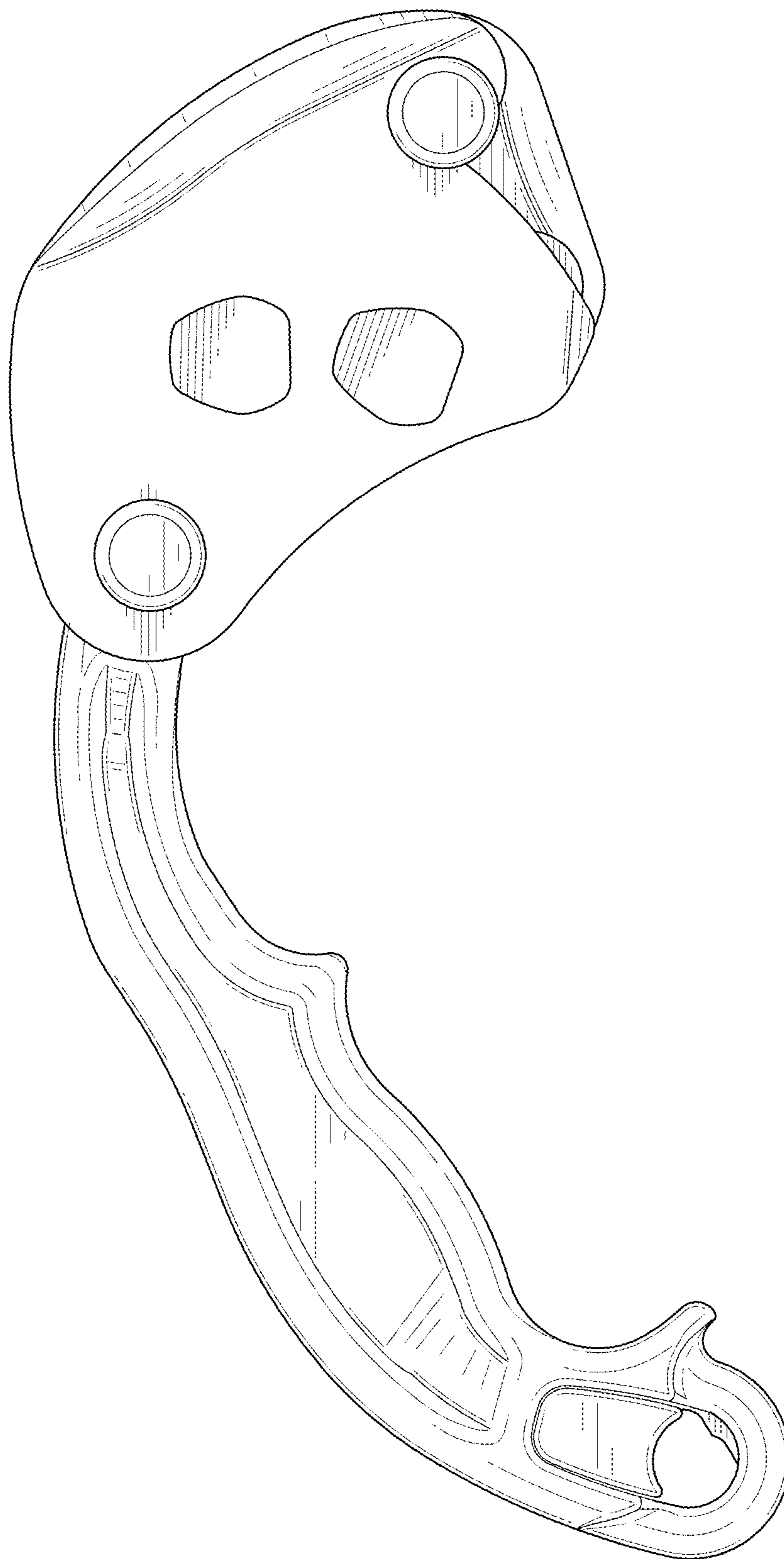


FIG. 4

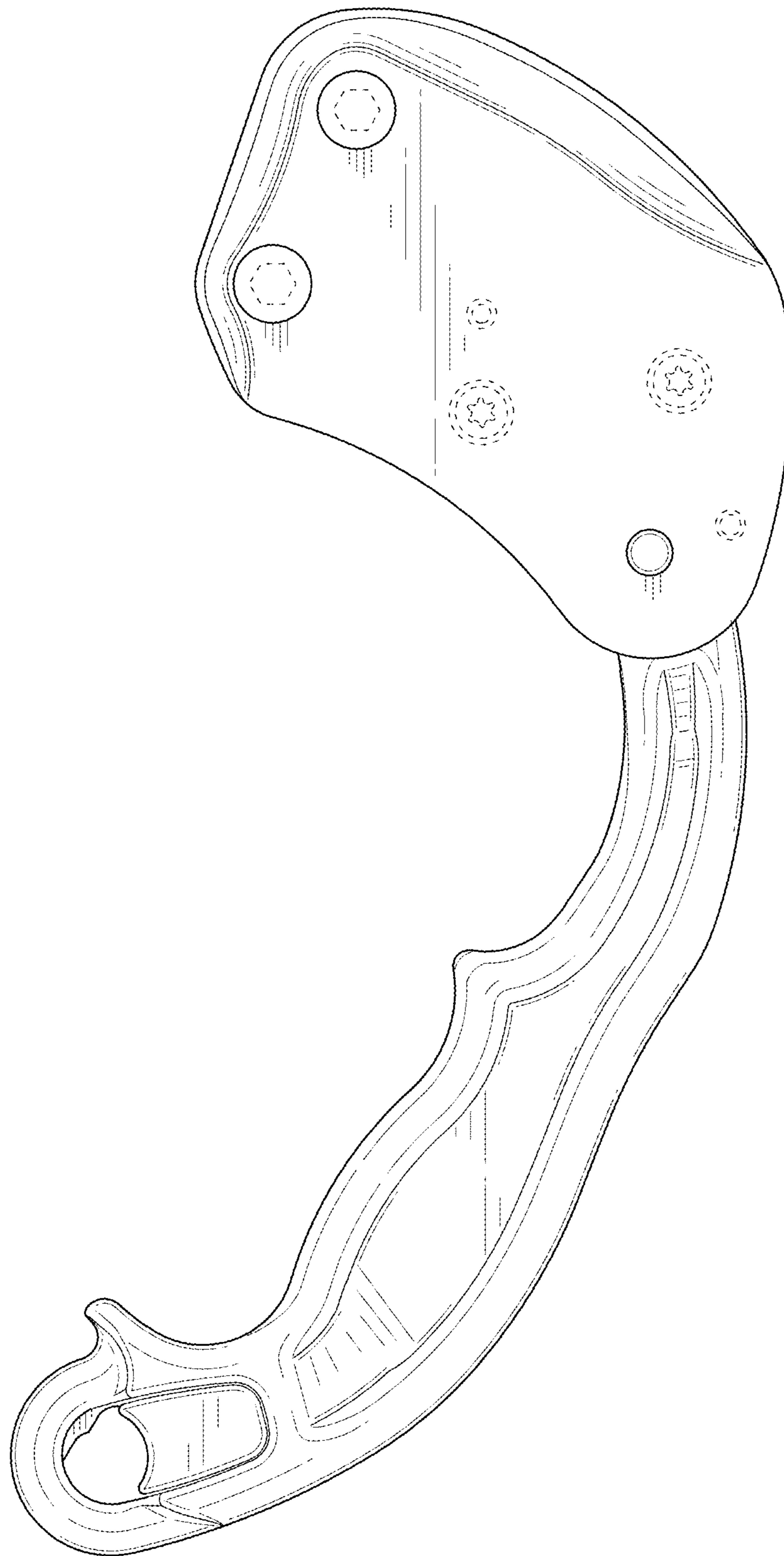


FIG. 5

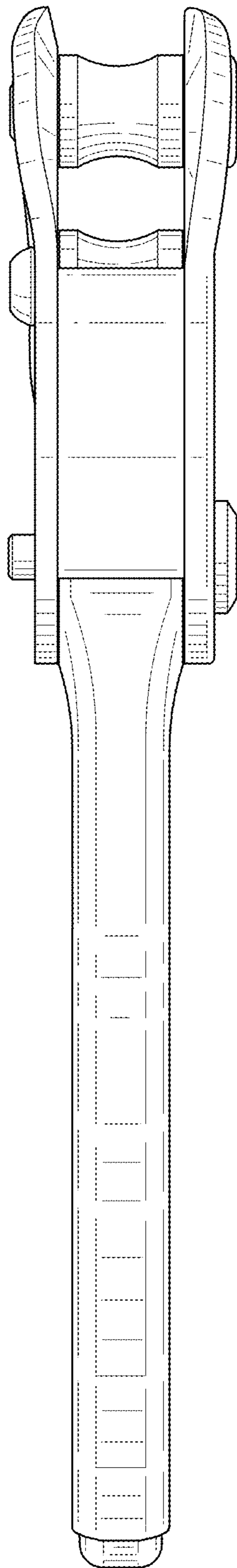


FIG. 6

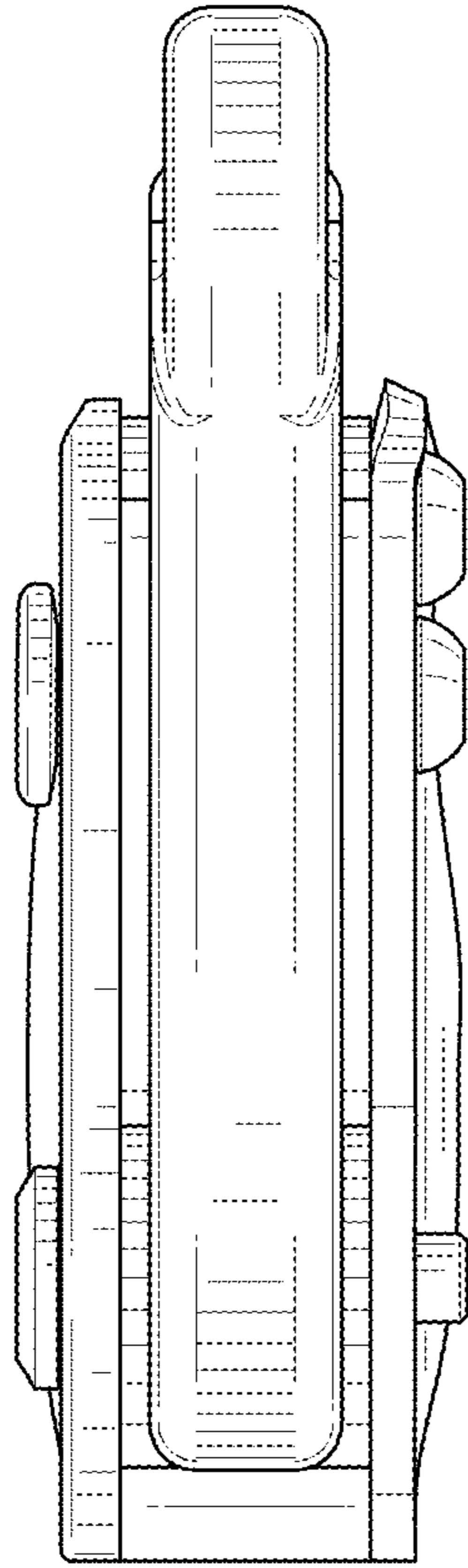


FIG. 7

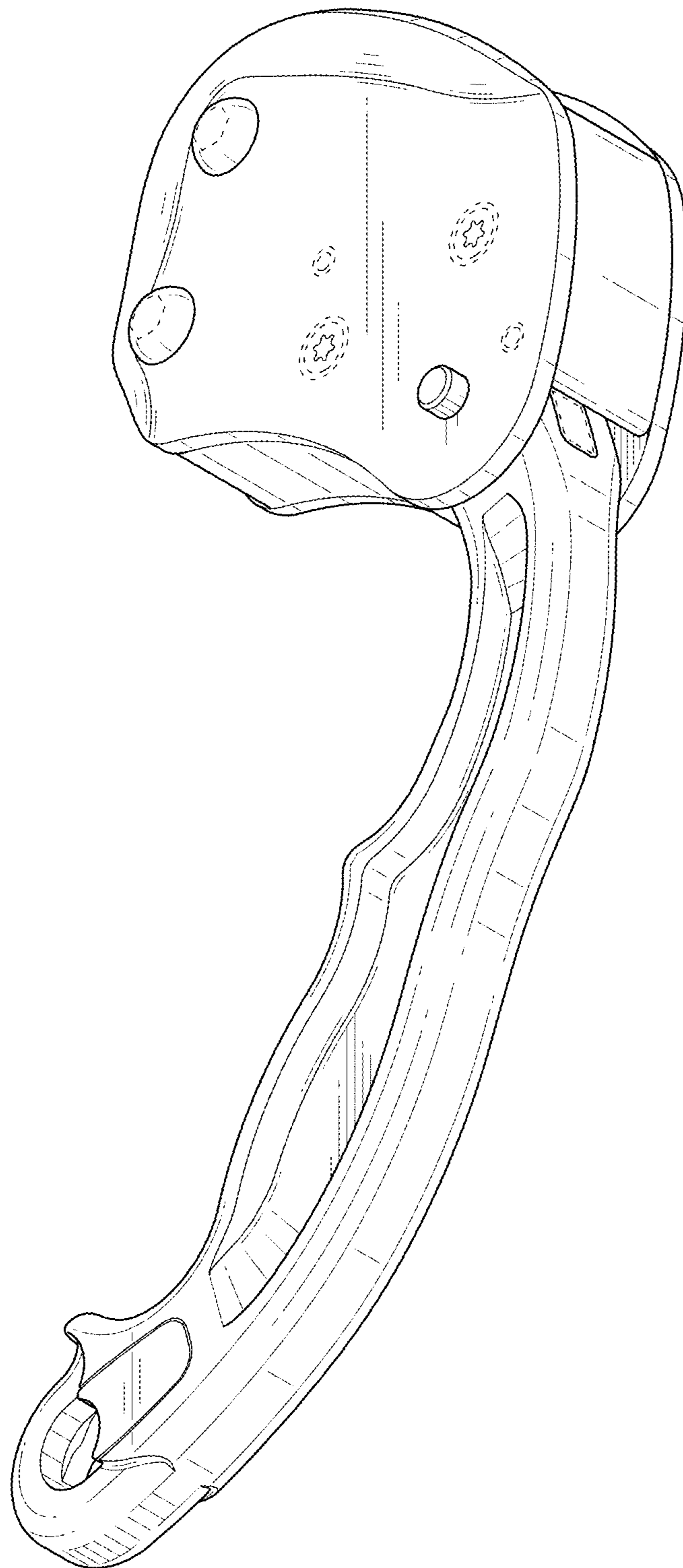


FIG. 8