



US00D869937S

(12) **United States Design Patent** (10) **Patent No.:** **US D869,937 S**
Walker (45) **Date of Patent:** **** Dec. 17, 2019**

(54) **HANDLE BAR**

FOREIGN PATENT DOCUMENTS

(71) Applicant: **TruBlue LLC**, Boulder, CO (US)

DE 4237263 7/1994
EP 0131384 1/1985

(72) Inventor: **Ryan Daniel Walker**, Boulder, CO (US)

(Continued)

(73) Assignee: **TRUBLUE LLC**, Boulder, CO (US)

OTHER PUBLICATIONS

(**) Term: **15 Years**

PCT International Search Report and Written Opinion in International Application PCT/US2018/016475, dated Apr. 16, 2018, 16 pages.

(21) Appl. No.: **29/622,597**

Primary Examiner — Cynthia R Underwood

(22) Filed: **Oct. 18, 2017**

(51) **LOC (12) Cl.** **09-06**

(52) **U.S. Cl.**
USPC **D8/356; D8/360**

(58) **Field of Classification Search**
USPC D8/356, 354, 349, 367, 360
CPC A62B 1/14; A62B 35/0037; B66C 1/36;
F16B 45/02

See application file for complete search history.

(56) **References Cited**

U.S. PATENT DOCUMENTS

245,893	A	8/1881	Tunnington
370,983	A	10/1887	Stahl
479,524	A	7/1892	Nicholson
546,084	A	9/1895	Webb
547,528	A	10/1895	Weaver et al.
654,687	A	7/1900	Suter
926,156	A	6/1909	Waterhouse et al.
1,087,062	A	2/1914	Izett
1,087,063	A	2/1914	Izett
1,228,694	A	6/1917	Necott
1,371,619	A	3/1921	Greenstreet
1,490,619	A	4/1924	Manikowske et al.
1,576,352	A	3/1926	Nordling
1,873,196	A	8/1932	Harris et al.
1,935,711	A	11/1933	Hecox
1,958,877	A	5/1934	Yake
2,229,935	A	1/1941	Powers
2,812,010	A	11/1957	Abdallah

(Continued)

(57) **CLAIM**

The ornamental design for a handle bar, as shown and described.

DESCRIPTION

FIG. 1 is a perspective view of an exemplary handle bar according to the present disclosure in an extended position; FIG. 2 is a perspective view of the handle bar of FIG. 1 in a retracted position.

FIG. 3 is a front view of the handle bar of FIG. 1 in the retracted position;

FIG. 4 is a rear view of the handle bar of FIG. 1 in the retracted position;

FIG. 5 is a right side view of the handle bar of FIG. 1 in the retracted position;

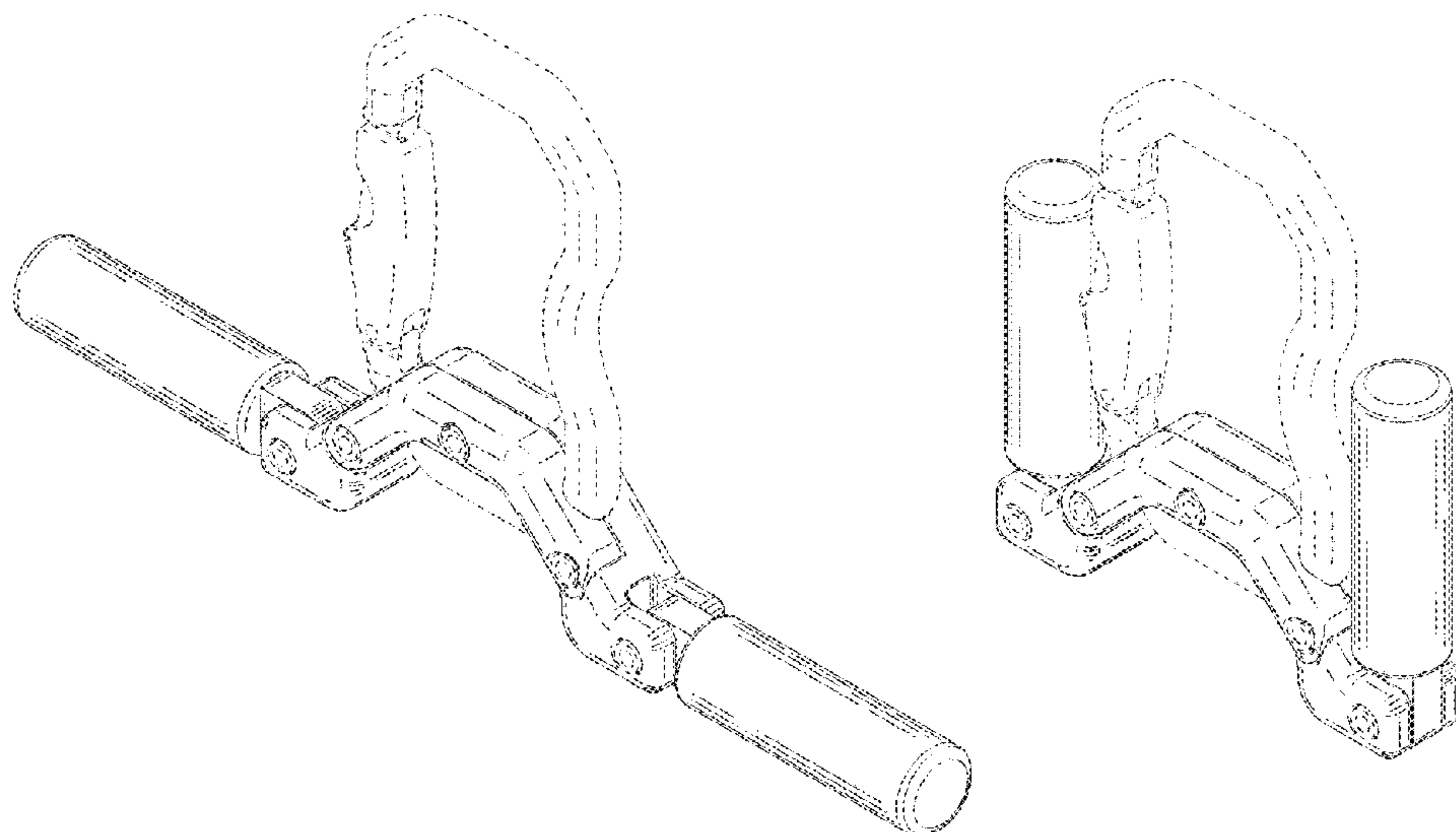
FIG. 6 is a left side view of the handle bar of FIG. 1 in the retracted position;

FIG. 7 is a top view of the handle bar of FIG. 1 in the retracted position; and,

FIG. 8 is a bottom view of the handle bar of FIG. 1 in the retracted position.

The broken lines represent environment that form no part of the claim.

1 Claim, 6 Drawing Sheets



(56)

References Cited

U.S. PATENT DOCUMENTS

3,040,678 A 6/1962 McEwen
 3,070,035 A 12/1962 Russo et al.
 3,192,872 A 7/1965 Parent
 3,398,714 A 8/1968 Wallin et al.
 3,480,272 A 11/1969 Ziebart
 3,759,190 A 9/1973 Harvey
 4,062,293 A 12/1977 Davis
 4,159,113 A 6/1979 Callecod
 4,440,432 A 4/1984 Goris
 4,621,851 A 11/1986 Bailey, Jr.
 4,721,268 A 1/1988 Lemer et al.
 4,892,508 A 1/1990 Ryan
 4,948,118 A 8/1990 Miraglia
 5,094,171 A * 3/1992 Fujita A62B 1/10
 104/115
 5,113,768 A 5/1992 Brown
 5,224,425 A 7/1993 Remington
 5,261,343 A 11/1993 Elterman et al.
 5,316,246 A 5/1994 Scott
 D372,188 S 7/1996 Van Dyke
 D382,190 S 8/1997 Blackston et al.
 5,701,824 A 12/1997 Johnson et al.
 5,904,099 A 5/1999 Danneker
 5,931,100 A 8/1999 Sutton et al.
 5,954,301 A 9/1999 Joseph
 6,164,582 A 12/2000 Vara
 6,206,330 B1 3/2001 Oi
 D449,580 S 10/2001 Gee, II
 6,363,858 B1 4/2002 Voirin
 6,640,727 B2 11/2003 Ostrobrod
 D484,035 S 12/2003 Smith-Keilland et al.
 6,666,773 B1 12/2003 Richardson
 D488,054 S 4/2004 Myers
 6,810,818 B2 11/2004 Petzl et al.
 D549,557 S 8/2007 Mori et al.
 D568,254 S 5/2008 Patchett
 D569,234 S 5/2008 Young, IV
 D569,236 S 5/2008 Young, IV
 D569,712 S 5/2008 Young, IV
 7,381,137 B2 6/2008 Steele et al.
 D572,573 S 7/2008 Abels
 D575,143 S 8/2008 Kuo et al.
 D589,899 S 4/2009 Huang
 D595,120 S 6/2009 Plowman
 D596,128 S 7/2009 Hung
 7,610,706 B2 11/2009 Pitcher et al.
 7,624,684 B2 12/2009 Morris
 D613,697 S 4/2010 Symons
 D617,741 S 6/2010 Fennell
 7,819,066 B2 10/2010 Smith
 7,825,337 B2 11/2010 Young, IV
 D640,527 S 6/2011 Hoek
 D644,501 S 9/2011 Chen
 D648,685 S 11/2011 Symons
 D657,869 S 4/2012 Mammen
 D658,094 S 4/2012 Dunn
 D668,620 S 10/2012 Convert
 D670,995 S 11/2012 Stieler
 8,336,463 B2 12/2012 Smith
 D680,851 S 4/2013 Lo
 8,424,460 B2 4/2013 Lerner et al.
 8,601,951 B2 12/2013 Lerner
 8,695,913 B2 4/2014 Cheng
 D719,798 S * 12/2014 Thompson D8/1
 8,985,027 B2 * 3/2015 Brown A63G 21/20
 104/112
 8,998,151 B2 4/2015 Hoek

9,016,649 B2 * 4/2015 Nolle B65H 49/26
 242/594.3
 9,033,115 B2 5/2015 Lerner
 D735,018 S 7/2015 McEvelly
 D742,212 S 11/2015 Hsu
 9,242,659 B2 * 1/2016 Bernier B61H 9/02
 9,381,926 B2 7/2016 Brannan
 D767,500 S 9/2016 Byrne
 D768,089 S 10/2016 Liu
 D773,414 S 12/2016 Hoffman
 D774,002 S 12/2016 Hsieh
 D774,383 S 12/2016 Kennedy
 D790,127 S 6/2017 Verleur
 D794,725 S * 8/2017 Lamothe D21/679
 D799,941 S 10/2017 Rotherberg
 D802,168 S 11/2017 Lee
 D802,866 S * 11/2017 Williams D34/24
 D805,879 S 12/2017 Garcia
 D807,735 S 1/2018 Nimgulkar et al.
 D811,857 S * 3/2018 Williams D8/356
 9,988,252 B1 6/2018 Kunststadt
 D822,122 S 7/2018 Bilezikian
 D822,461 S * 7/2018 Han D8/360
 D822,462 S * 7/2018 Han D8/360
 D822,463 S 7/2018 Han
 D823,710 S 7/2018 Schone et al.
 10,023,207 B2 * 7/2018 Brown B61H 1/00
 10,023,208 B2 * 7/2018 Brown B61H 9/02
 10,065,507 B1 * 9/2018 Lerner H02K 49/04
 D833,854 S * 11/2018 Yamamoto D8/356
 D834,402 S 11/2018 Bailey
 D835,497 S 12/2018 Rindy et al.
 D835,974 S 12/2018 Moore et al.
 D835,975 S * 12/2018 Putnam, Jr. D8/356
 D841,440 S 2/2019 Bailey
 D843,813 S 3/2019 Tillitski
 2002/0050032 A1 5/2002 Carnall
 2002/0162477 A1 11/2002 Palumbo
 2004/0118982 A1 6/2004 Shillings
 2005/0189453 A1 9/2005 DeGuevera
 2006/0087139 A1 4/2006 Ayres
 2007/0235597 A1 10/2007 Winchester
 2008/0178760 A1 7/2008 Frangos et al.
 2008/0202375 A1 8/2008 Quattlebaum
 2009/0223406 A1 9/2009 Smith
 2010/0224714 A1 9/2010 Winther et al.
 2011/0083577 A1 4/2011 Tilley
 2011/0239898 A1 * 10/2011 Brown A63G 21/20
 105/150
 2012/0031296 A1 2/2012 Smith
 2013/0327242 A1 * 12/2013 Bernier B61H 9/02
 104/113
 2014/0311376 A1 * 10/2014 Brannan B61H 9/02
 104/113
 2014/0326161 A1 * 11/2014 Halliday A63G 21/20
 104/113
 2015/0266454 A1 9/2015 McGowan
 2015/0375758 A1 12/2015 Strasser
 2016/0050481 A1 2/2016 Moats
 2018/0216656 A1 8/2018 Bailey
 2018/0304907 A1 10/2018 Richardson
 2019/0134437 A1 5/2019 Weston et al.
 2019/0144244 A1 5/2019 McGowan

FOREIGN PATENT DOCUMENTS

EP 1386814 2/2004
 GB 920392 3/1963
 GB 1527238 10/1978
 WO WO 2009143529 A2 11/2009

* cited by examiner

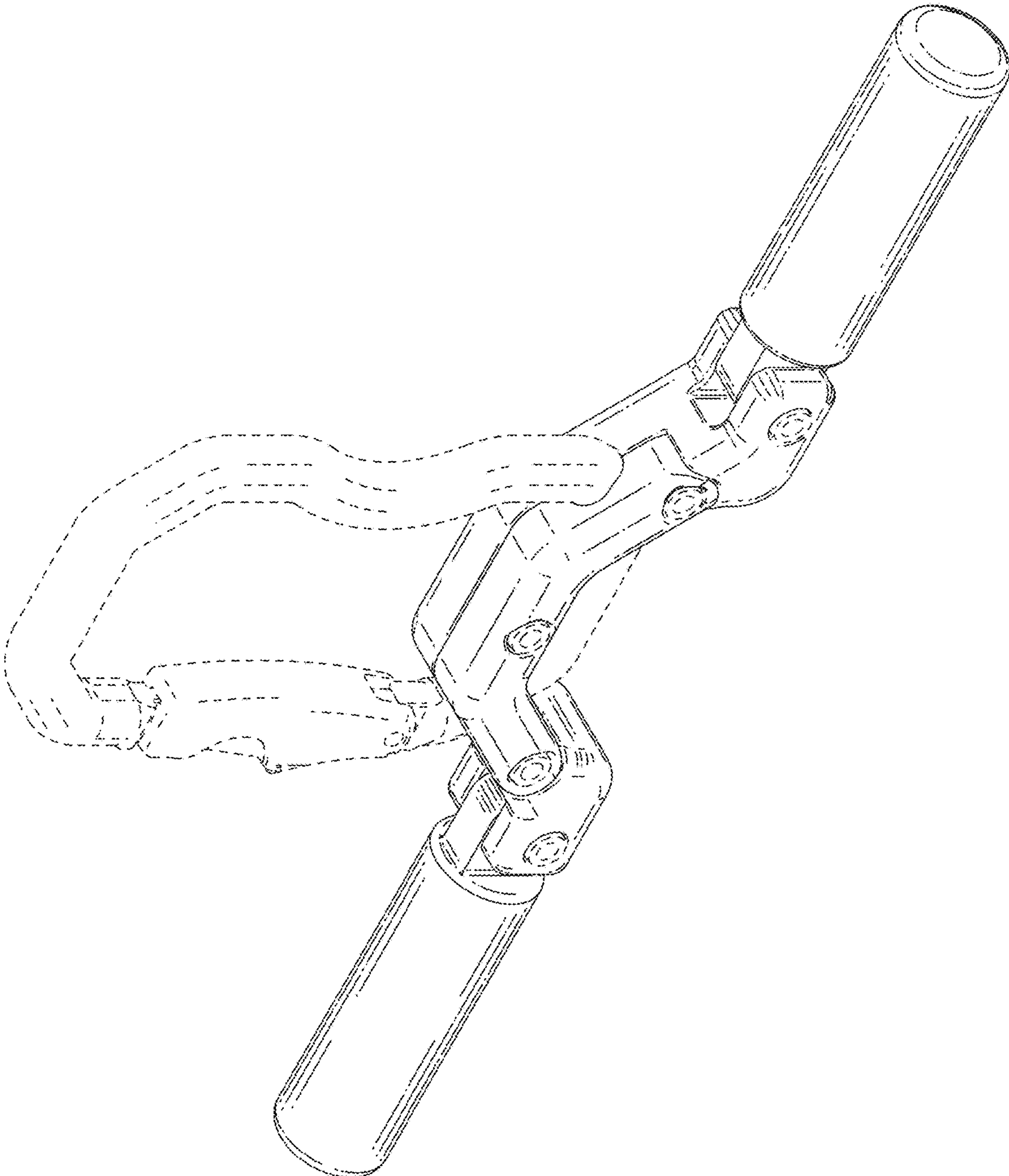


FIG. 1

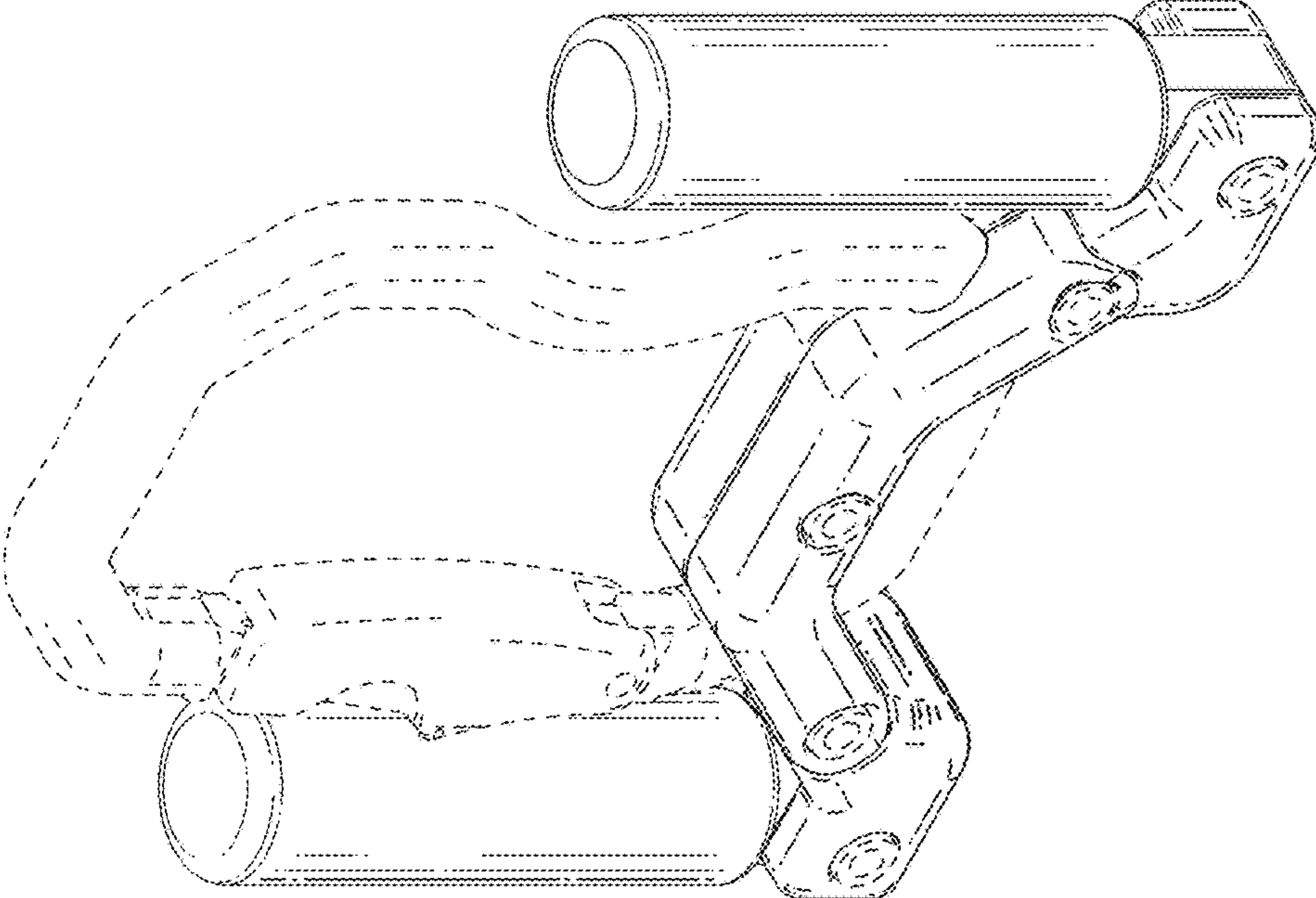


FIG. 2

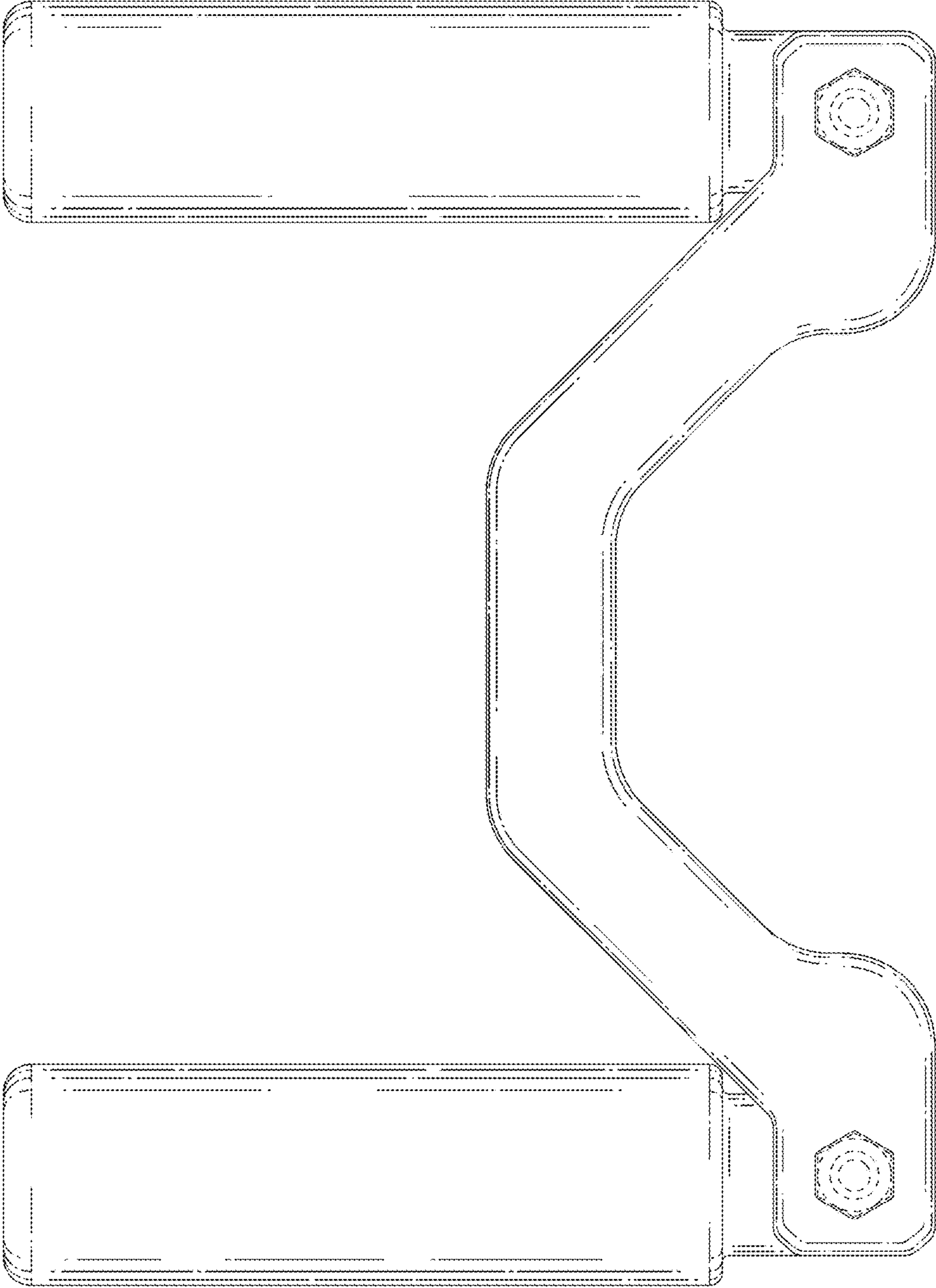


FIG. 3

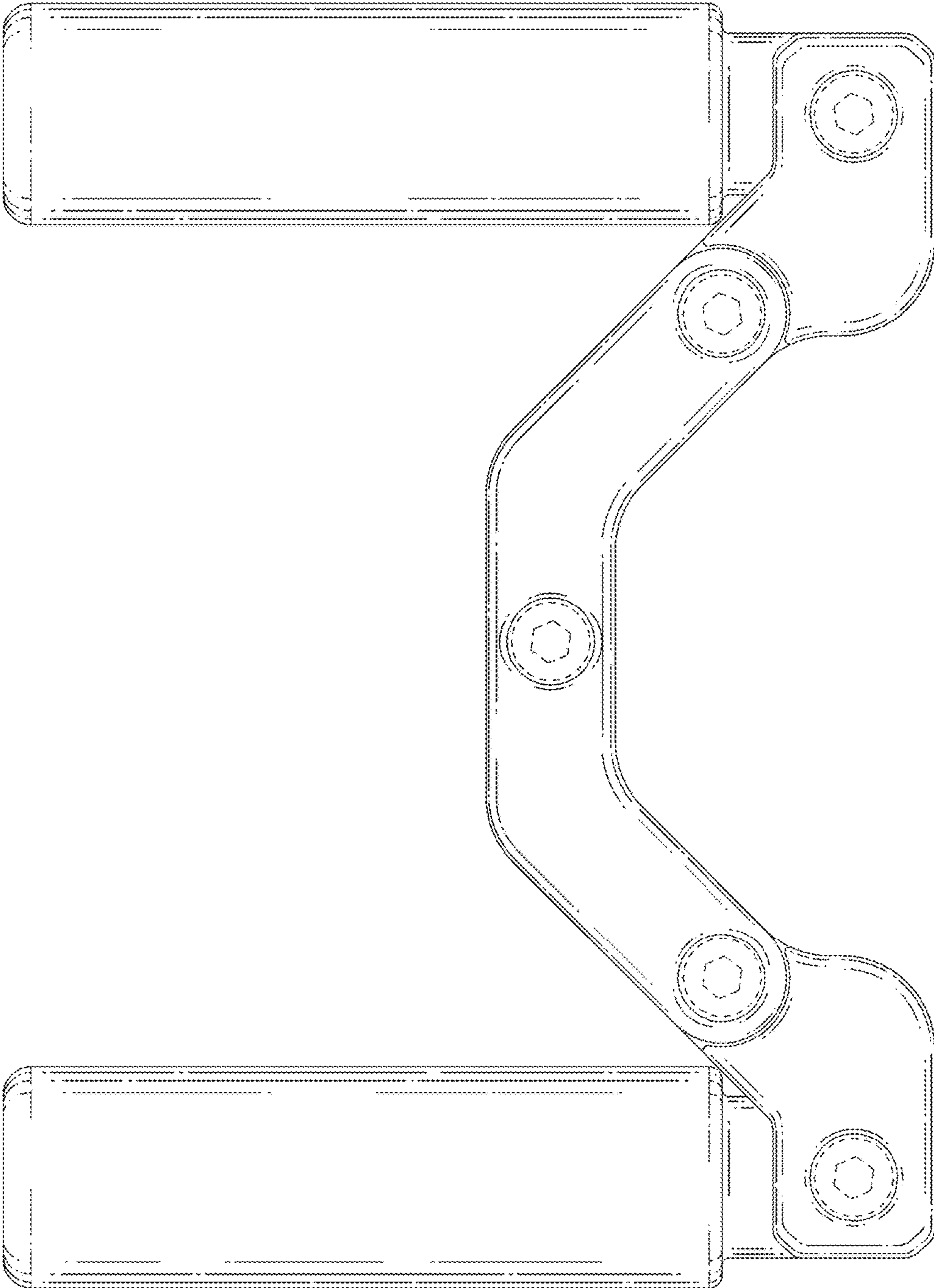


FIG. 4

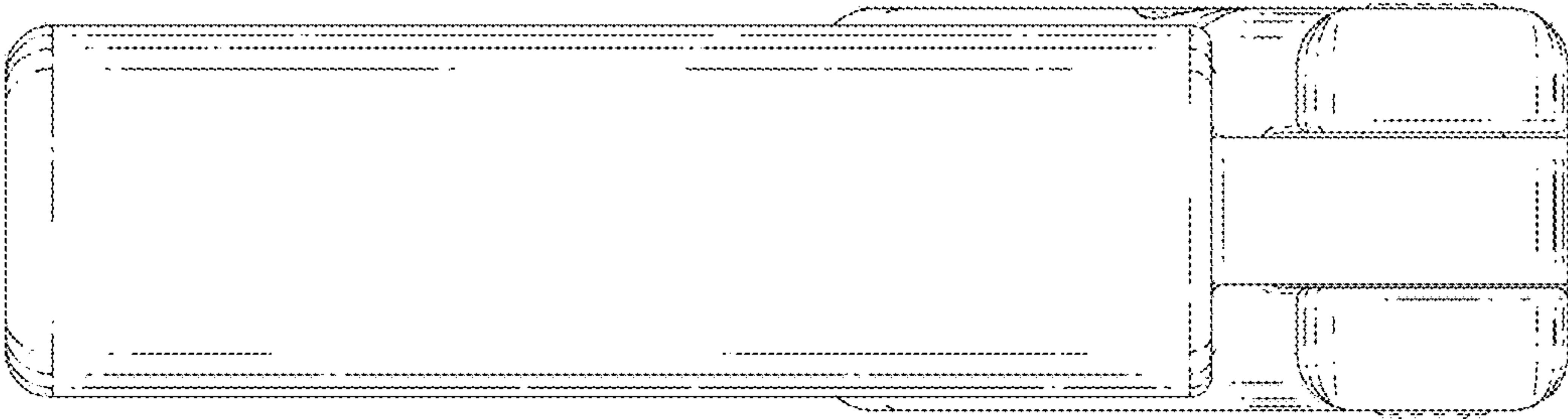


FIG. 5

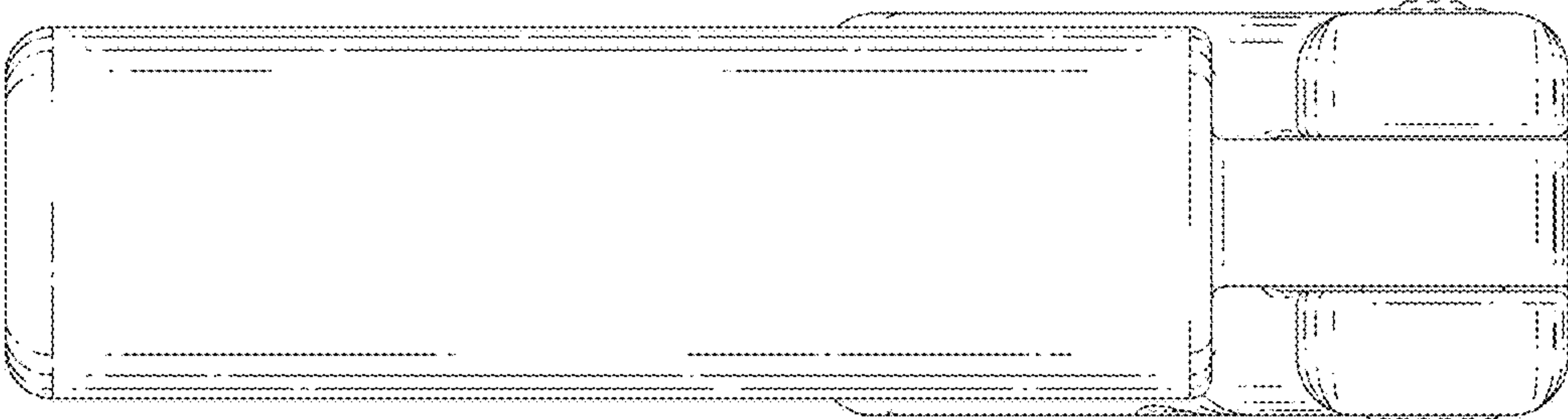


FIG. 6

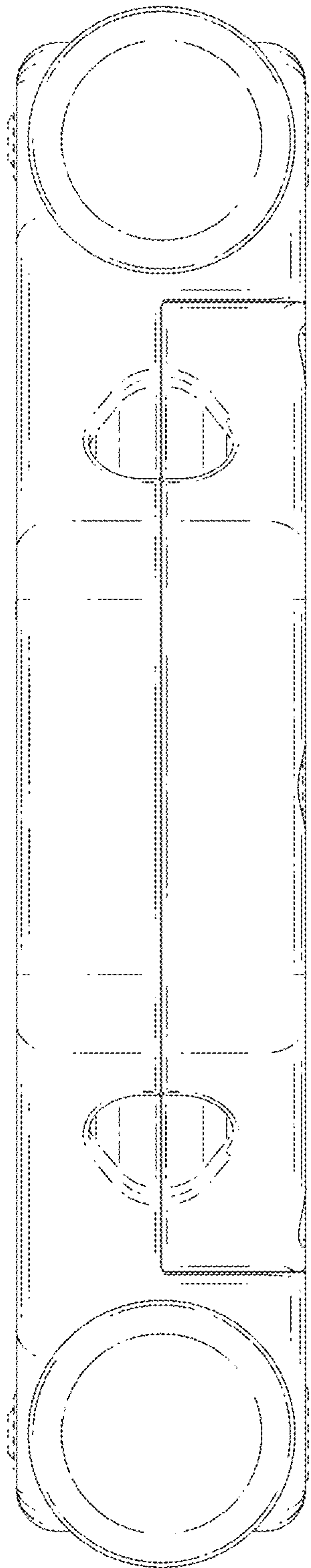


FIG. 7

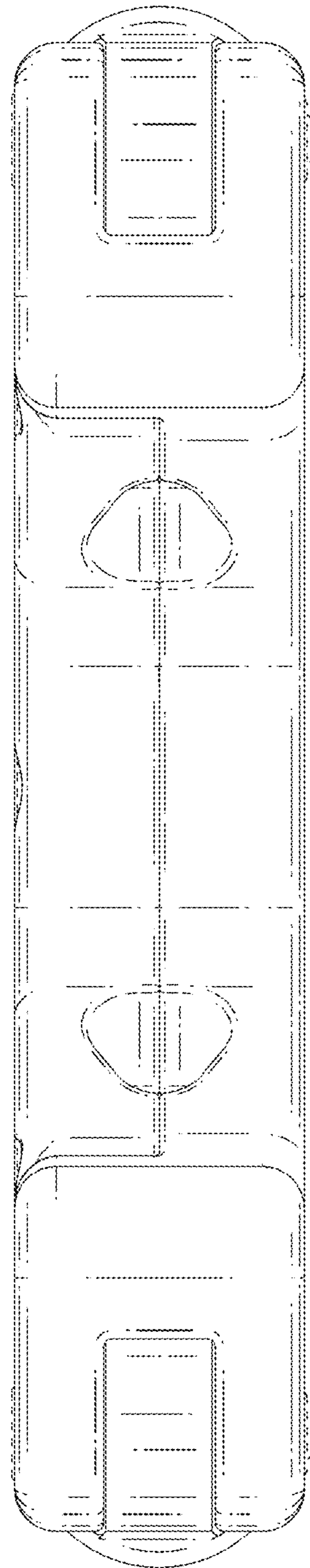


FIG. 8