

US00D869936S

(12) **United States Design Patent** (10) **Patent No.:** **US D869,936 S**  
**Smith** (45) **Date of Patent:** **\*\* Dec. 17, 2019**

(54) **POST MOUNTING BRACKET**

FOREIGN PATENT DOCUMENTS

(71) Applicant: **Edd Smith**, Brentwood, TN (US)

CN 201763050 3/2011  
CN 102817493 6/2016

(72) Inventor: **Edd Smith**, Brentwood, TN (US)

(Continued)

(\*\*) Term: **15 Years**

OTHER PUBLICATIONS

(21) Appl. No.: **29/697,102**

<http://bunburgerbun.co/6x6-post-brackets-for-concrete/post-anchor-concrete-s-brackets-6x6-for-mount-to-home-depot-anchors-bracket/>  
Published/Accessed: May 28, 2019.

(22) Filed: **Jul. 3, 2019**

(Continued)

(51) **LOC (12) Cl.** ..... **08-08**

(52) **U.S. Cl.**  
USPC ..... **D8/349**

(58) **Field of Classification Search**  
USPC ..... D8/349, 354, 366, 371, 373, 380, 382;  
D25/133, 134, 136, 127  
CPC ..... E04B 7/045; E04B 1/2612; E04B 1/2608;  
E04F 11/02; E04F 11/028; E04G 7/02;  
Y10T 403/4611; Y10T 403/1974; Y10T  
403/39

*Primary Examiner* — Mark A Goodwin  
(74) *Attorney, Agent, or Firm* — Patterson Intellectual Property Law, P.C.; Edward D. Lanquist, Jr.; Alex H. Huffstutter

See application file for complete search history.

(57) **CLAIM**  
What is claimed is the ornamental design for a post mounting bracket, as shown and described.

(56) **References Cited**

**DESCRIPTION**

U.S. PATENT DOCUMENTS

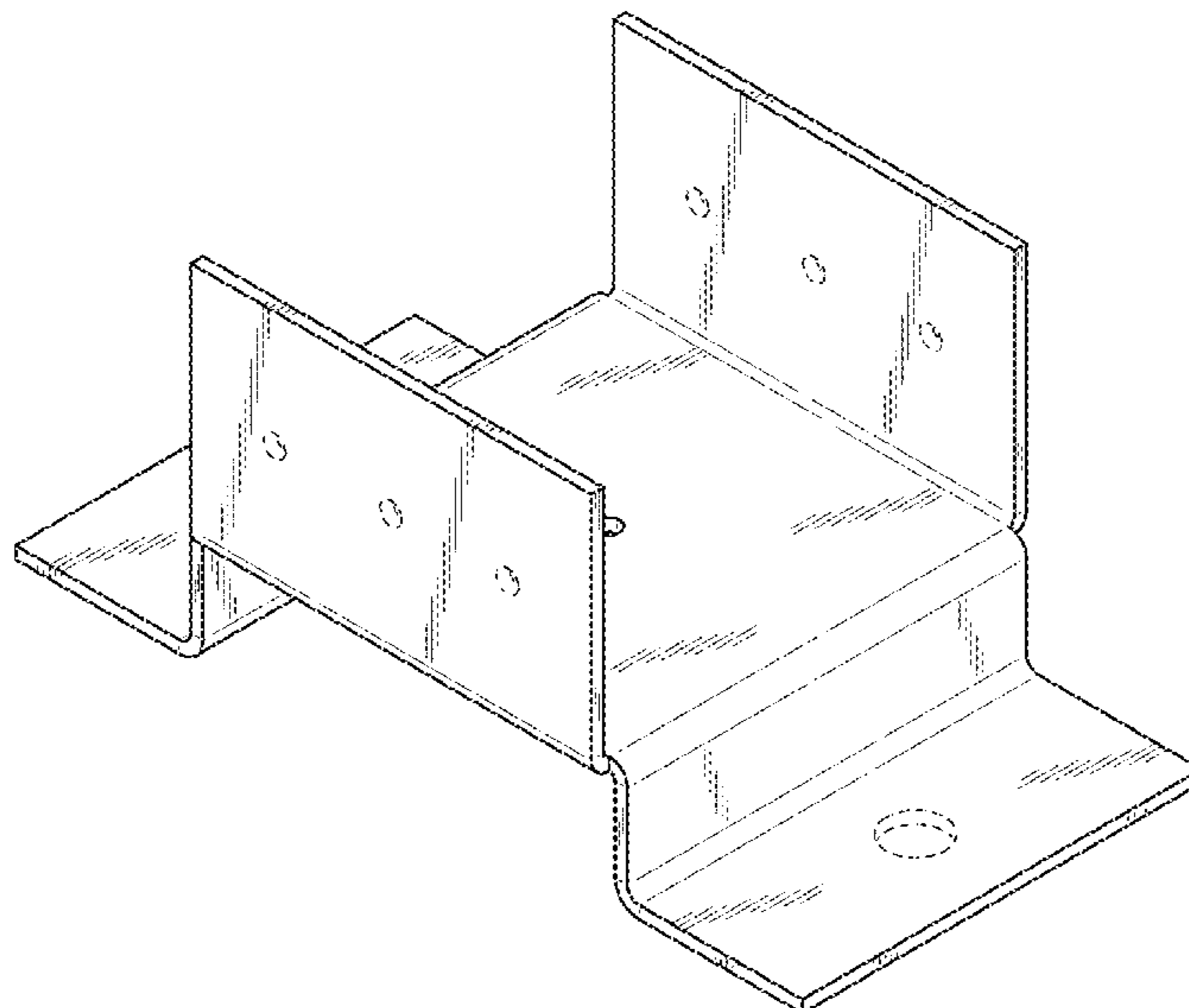
1,848,085 A \* 3/1932 Eisenschmidt ..... E04G 7/02  
403/187  
3,216,160 A \* 11/1965 Best ..... E04F 11/028  
52/189  
3,256,030 A \* 6/1966 Banse ..... E04B 1/2608  
403/400  
D256,663 S \* 9/1980 Gilb ..... D8/354  
D260,481 S \* 9/1981 Norcross ..... D8/354  
D265,051 S \* 6/1982 Hentzschel ..... D8/354  
D364,794 S \* 12/1995 Eberschlag ..... D8/354  
D378,986 S \* 4/1997 Darula ..... D8/354  
5,901,525 A 5/1999 Doeringer et al.  
D447,045 S \* 8/2001 Hundley ..... D25/114  
D449,218 S \* 10/2001 Vrame ..... D8/354

FIG. 1 is a front top perspective view showing a post mounting bracket of Applicants' invention.  
FIG. 2 is a rear bottom perspective view of the post mounting bracket of FIG. 1.  
FIG. 3 is a front elevation view of the post mounting bracket of FIG. 1, the rear elevation view being an identical mirror image thereto.  
FIG. 4 is a right side elevation view of the post mounting bracket of FIG. 1, the left side elevation view being an identical mirror image thereto.  
FIG. 5 is a top plan view of the post mounting bracket of FIG. 1; and,  
FIG. 6 is a bottom plan view of the post mounting bracket of FIG. 1.

The broken line showing of the two large holes on the base flanges and the six smaller holes on the upper flanges is included for the purpose of illustrating portions of the post mounting bracket and forms no part of the claimed design.

(Continued)

**1 Claim, 2 Drawing Sheets**



(56)

References Cited

U.S. PATENT DOCUMENTS

D492,889 S \* 7/2004 Craine ..... D8/354  
 D504,304 S \* 4/2005 Hancock ..... D12/223  
 D511,086 S \* 11/2005 Craine ..... D8/354  
 D513,171 S \* 12/2005 Richardson ..... D25/133  
 D523,735 S \* 6/2006 Craine ..... D8/354  
 D531,010 S \* 10/2006 Vrame ..... D8/354  
 D550,541 S \* 9/2007 Blanchard ..... D8/354  
 D558,039 S \* 12/2007 Skinner ..... D8/354  
 D558,040 S \* 12/2007 Skinner ..... D8/354  
 D558,041 S \* 12/2007 Skinner ..... D8/354  
 7,429,023 B2 \* 9/2008 Morrow ..... E04B 1/003  
 248/200  
 D583,221 S \* 12/2008 Johnsen ..... D8/354  
 D596,015 S \* 7/2009 Scarcello ..... D8/354  
 D611,887 S \* 3/2010 Peschmann ..... D12/223  
 D619,878 S \* 7/2010 Sjoqvist ..... D8/354  
 D624,804 S \* 10/2010 Wellard ..... D8/354  
 D646,955 S \* 10/2011 Sanders ..... D8/354  
 D654,350 S \* 2/2012 Preda ..... D8/354  
 D658,039 S \* 4/2012 Ghatikar ..... D8/354  
 D667,289 S \* 9/2012 Preda ..... D8/354  
 D667,718 S \* 9/2012 Preda ..... D8/354  
 D684,033 S \* 6/2013 Preda ..... D8/354  
 D684,034 S \* 6/2013 Vaughan ..... D8/349  
 D688,547 S \* 8/2013 Waugh ..... D8/349  
 D701,108 S \* 3/2014 Rodgers ..... D8/354  
 D705,040 S \* 5/2014 Konrad ..... D8/354  
 D732,373 S \* 6/2015 Wagner ..... D8/349

D732,939 S \* 6/2015 Cannaverde ..... E06B 9/174  
 D8/354  
 D752,954 S \* 4/2016 Lax ..... D8/354  
 D760,066 S \* 6/2016 Krenek ..... D8/354  
 D763,062 S \* 8/2016 Tatem ..... D14/239  
 D784,794 S \* 4/2017 Bently ..... D8/354  
 9,631,392 B2 4/2017 Bergman  
 D796,938 S \* 9/2017 Rago ..... D8/354  
 D822,453 S \* 7/2018 Kanter ..... D8/354  
 D822,454 S \* 7/2018 Kanter ..... D8/354  
 D823,093 S \* 7/2018 Kanter ..... D8/354  
 D829,534 S \* 10/2018 Kanter ..... D8/354  
 10,273,678 B2 \* 4/2019 Hensen ..... E04B 1/2608  
 D858,255 S \* 9/2019 Fox ..... D8/354  
 2002/0112439 A1 \* 8/2002 Rosas ..... E04B 1/2608  
 52/712  
 2007/0107339 A1 5/2007 Matsumoto  
 2018/0298603 A1 10/2018 Preece et al.

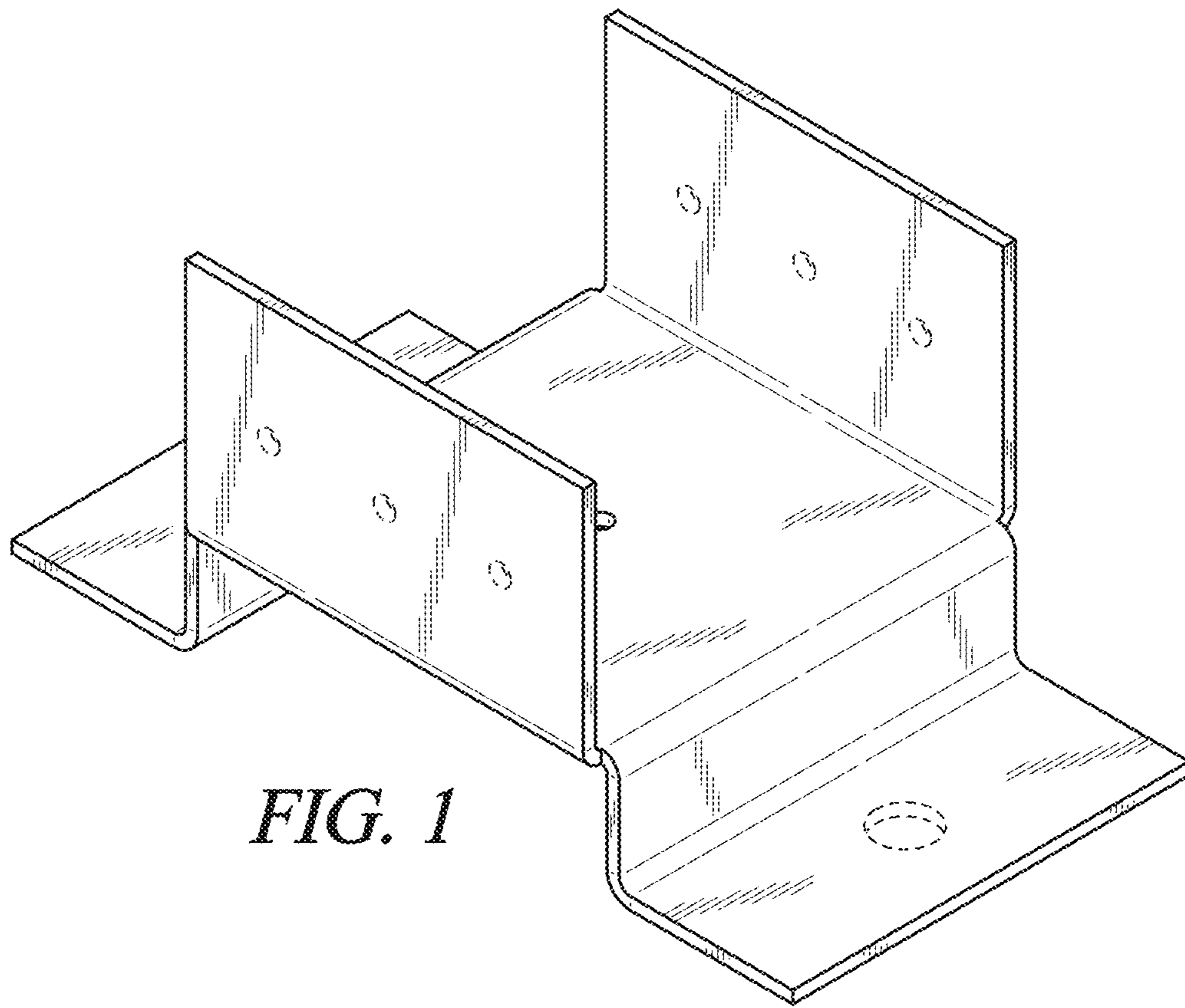
FOREIGN PATENT DOCUMENTS

JP H10183753 7/1998  
 JP 3612600 1/2005  
 JP 5115961 1/2013  
 KR 200473276 6/2014

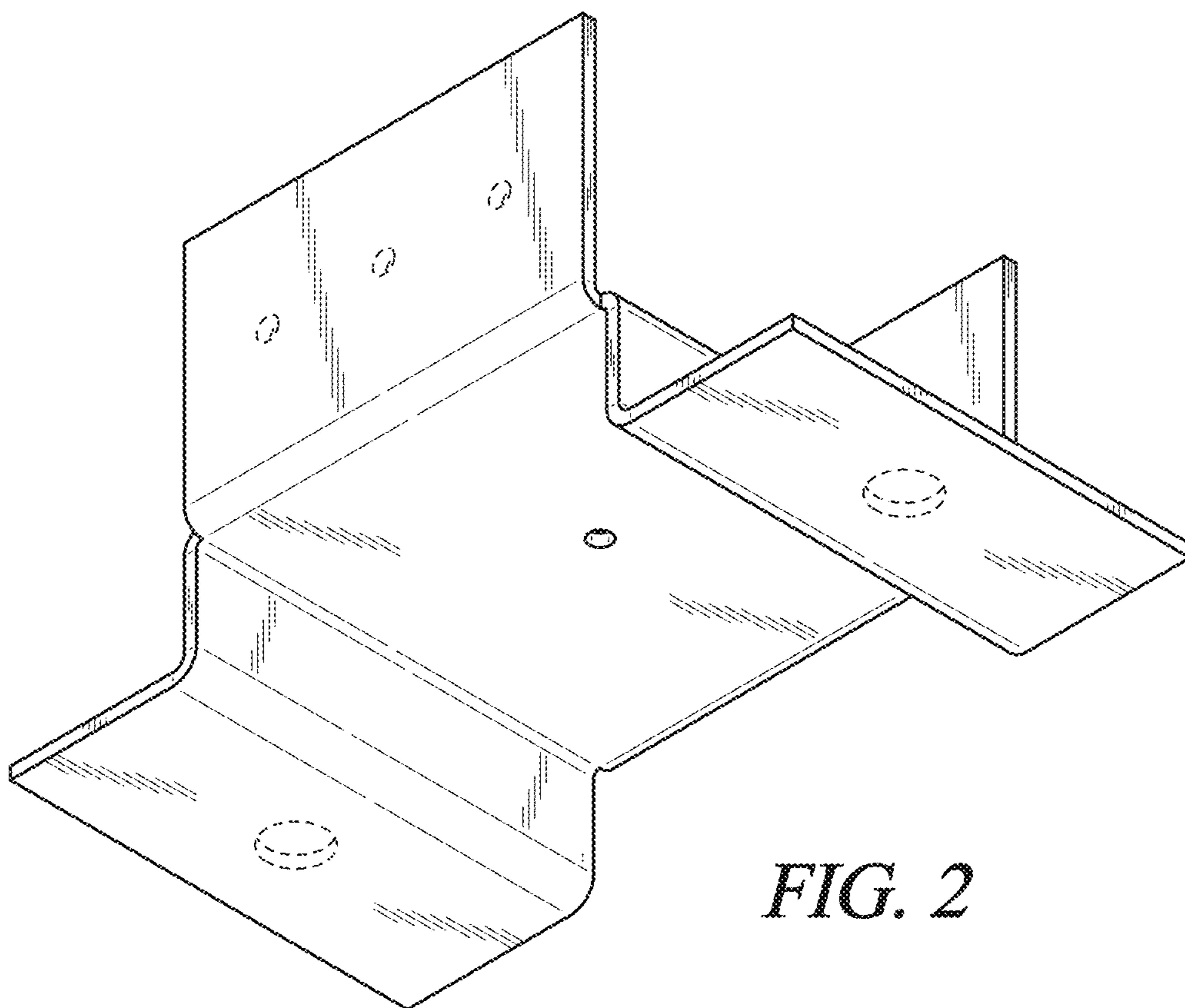
OTHER PUBLICATIONS

URL: <http://howtospecialist.com/deck/how-to-anchor-post-to-concrete/>  
 Published/Accessed: May 28, 2019.

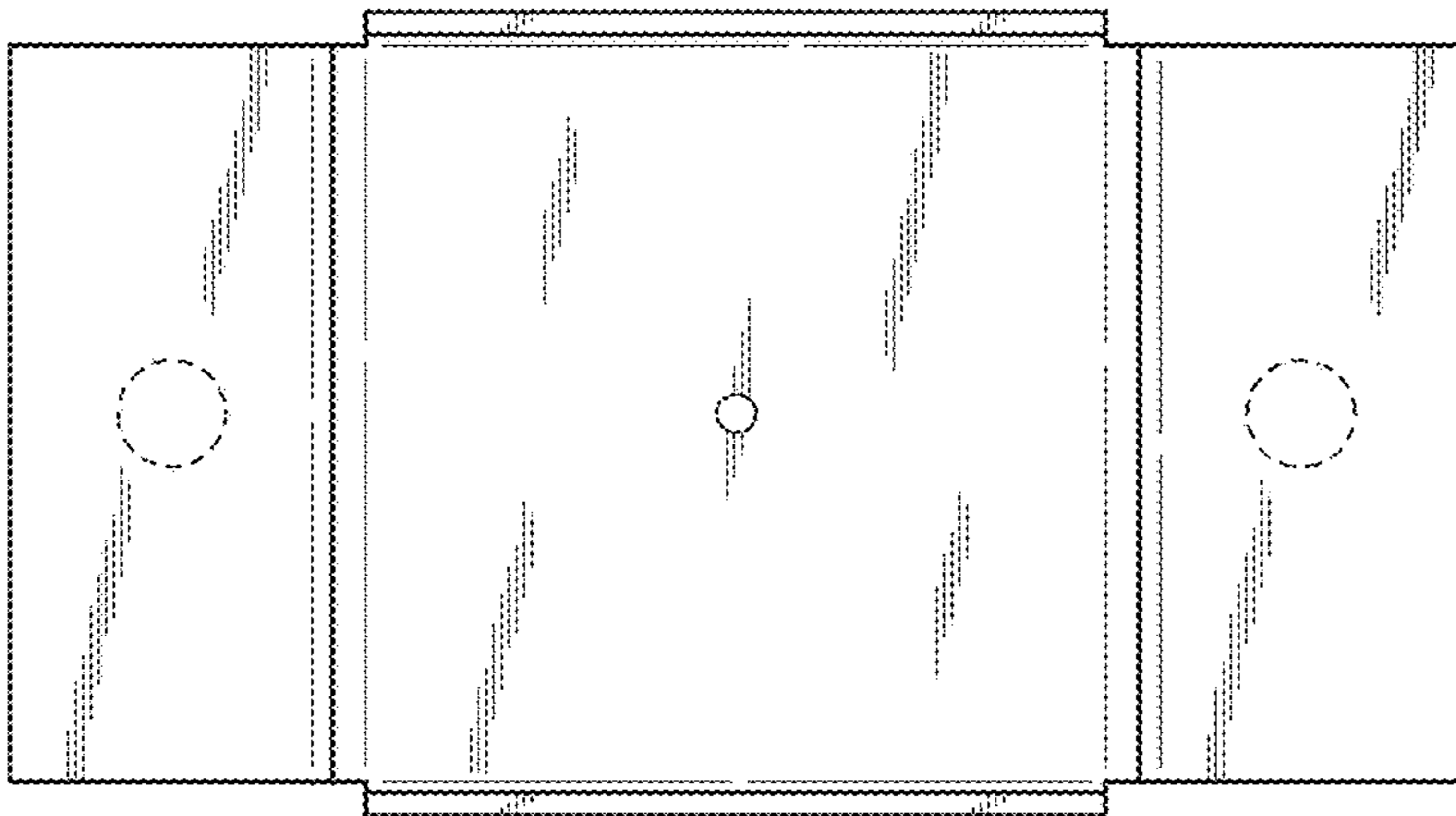
\* cited by examiner



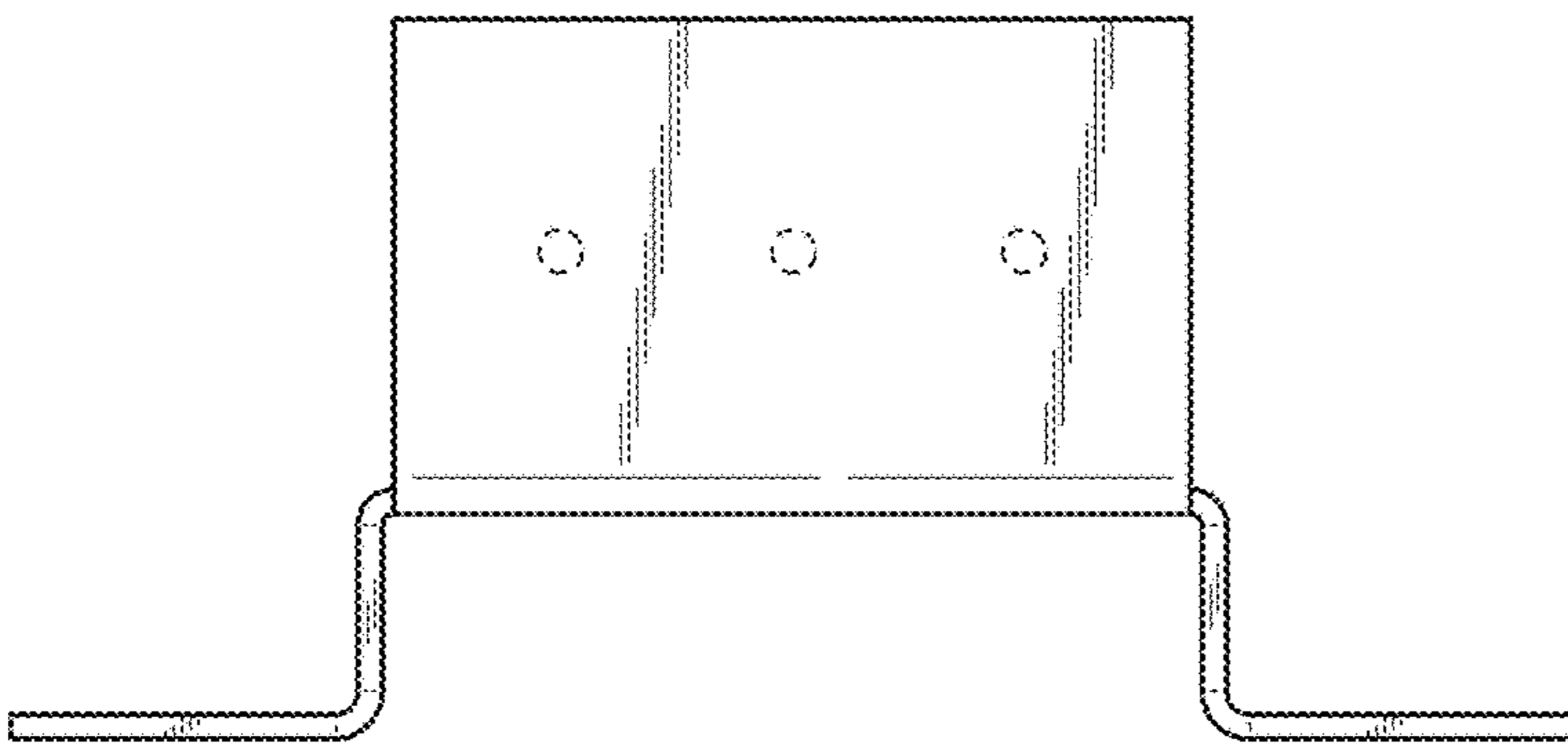
*FIG. 1*



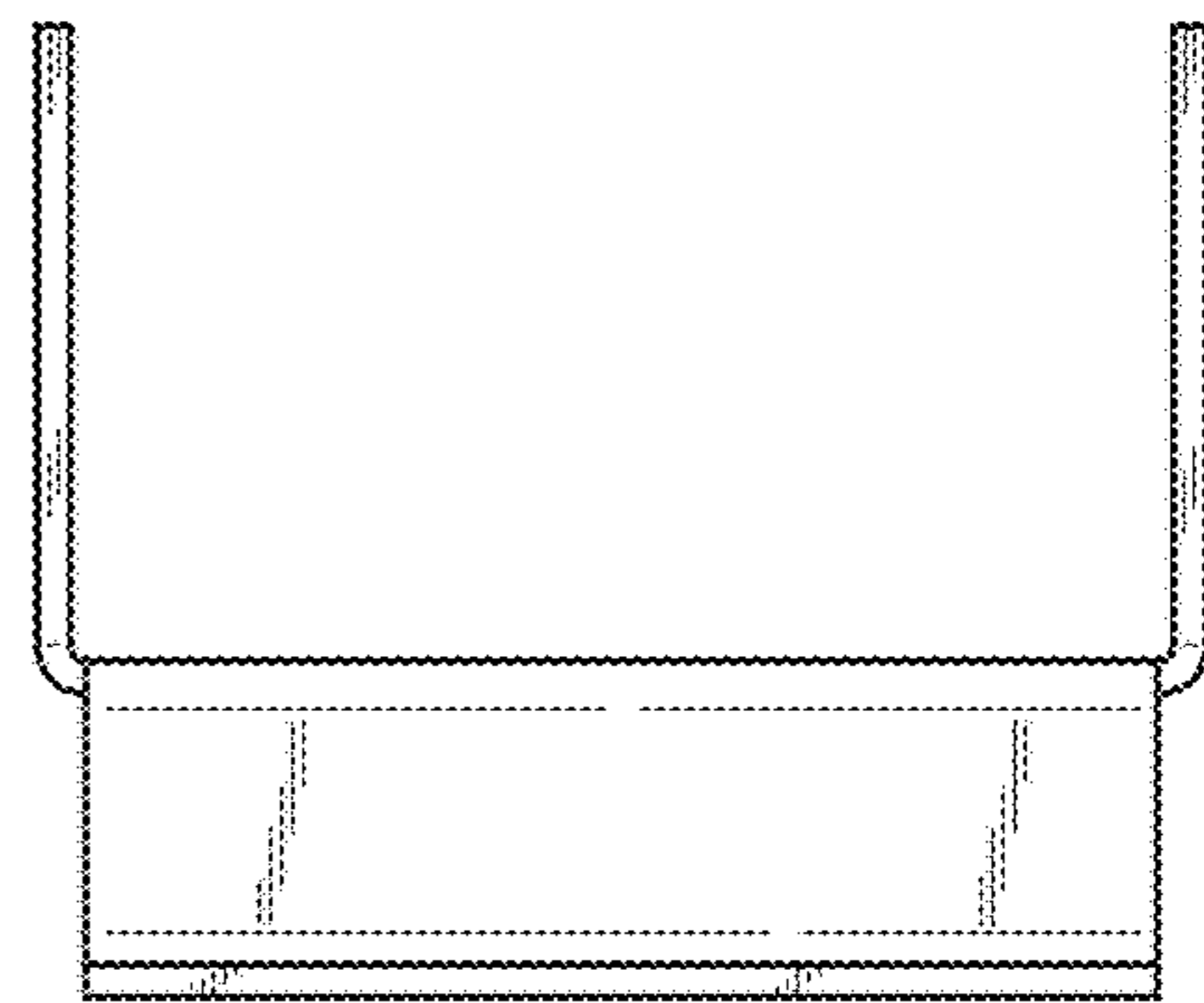
*FIG. 2*



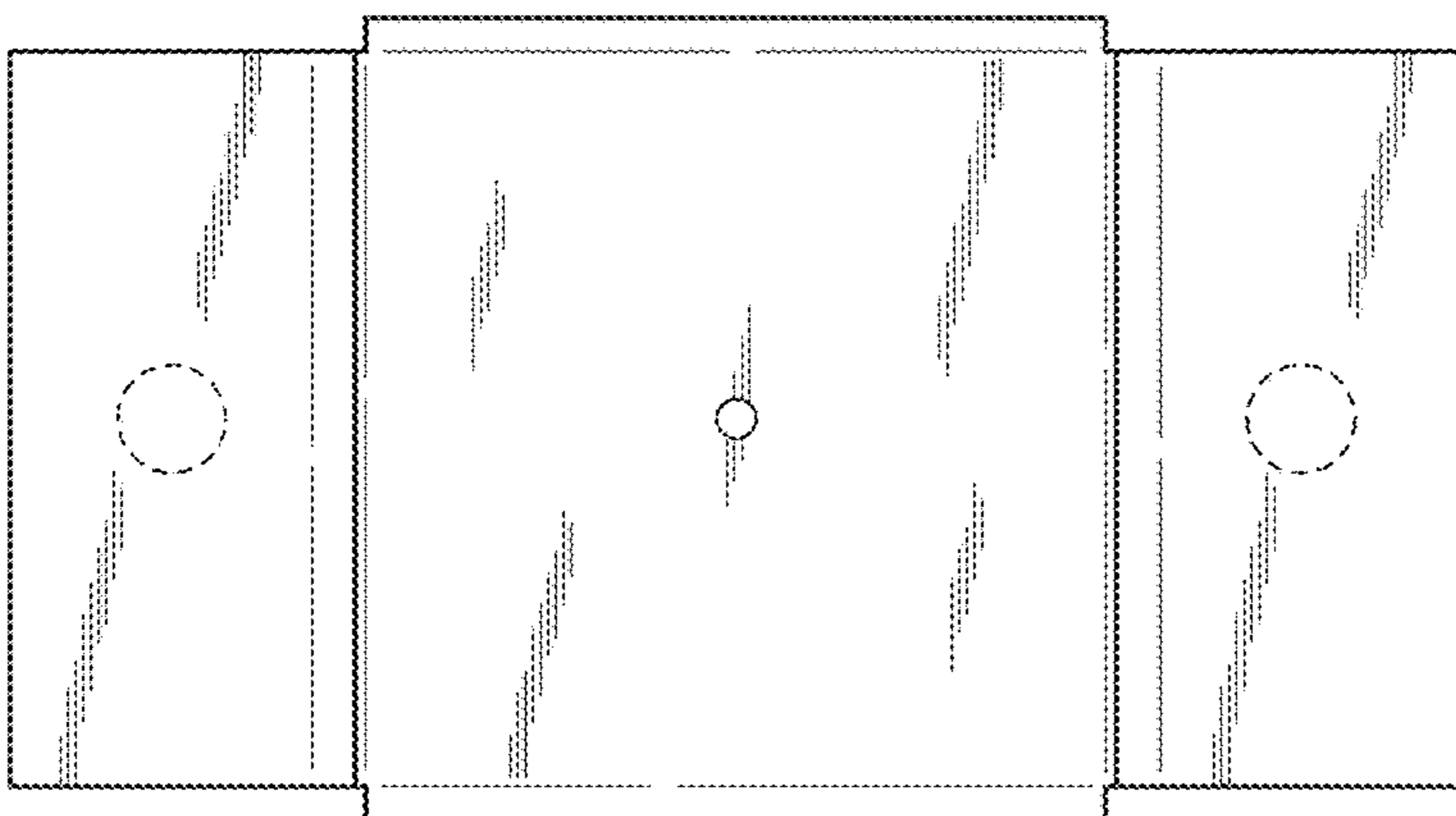
*FIG. 5*



*FIG. 3*



*FIG. 4*



*FIG. 6*