

US00D869935S

(12) **United States Design Patent**
Ireland

(10) **Patent No.:** **US D869,935 S**

(45) **Date of Patent:** **** Dec. 17, 2019**

(54) **STAND**

(71) Applicant: **Robert Ireland**, Banks, OR (US)

(72) Inventor: **Robert Ireland**, Banks, OR (US)

(**) Term: **15 Years**

(21) Appl. No.: **29/657,658**

(22) Filed: **Jul. 24, 2018**

(51) **LOC (12) Cl.** **08-08**

(52) **U.S. Cl.**
USPC **D8/349**

(58) **Field of Classification Search**
USPC D8/349, 354, 363, 393, 380; D23/415,
D23/397, 398, 403, 405, 407, 411, 386
CPC F23D 14/02; F23D 14/04; F23D 14/06;
F23D 14/065; F23D 14/46; E04C 5/203;
E04C 5/20
See application file for complete search history.

7,451,580 B2 * 11/2008 Kelly E04C 5/20
52/637

D594,737 S * 6/2009 Kelly D6/349

D595,117 S * 6/2009 Sorkin D6/349

8,028,490 B2 * 10/2011 Kelly E04C 5/20
52/637

D678,722 S * 3/2013 Lona Santoyo D7/407

D687,675 S * 8/2013 Filho D7/407

8,535,052 B2 * 9/2013 Cadima F23D 14/06
126/214 R

D719,817 S * 12/2014 Perry D8/354

D738,194 S * 9/2015 Baldoni D8/354

D738,195 S * 9/2015 Perry D8/354

9,151,494 B2 * 10/2015 Quintaba' F23D 14/065

9,255,710 B2 * 2/2016 Cadima F23D 14/06

D758,129 S * 6/2016 Filho D7/407

D791,579 S * 7/2017 Perry D8/354

D831,188 S * 10/2018 Ireland D23/415

D831,785 S * 10/2018 Atwell D23/209

D838,576 S * 1/2019 Cramer D8/354

* cited by examiner

Primary Examiner — Mark A Goodwin

(74) *Attorney, Agent, or Firm* — Robert Ireland

(56) **References Cited**

U.S. PATENT DOCUMENTS

4,660,778 A * 4/1987 Fischer B02C 18/062
241/292.1

D394,200 S * 5/1998 Hartzheim D8/354

D565,893 S * 4/2008 Pryor D7/407

D565,895 S * 4/2008 Pryor D7/407

D578,379 S * 10/2008 Sorkin D8/354

D578,870 S * 10/2008 Sorkin D8/354

D579,514 S * 10/2008 Kelps D23/206

D581,214 S * 11/2008 Rosa D7/407

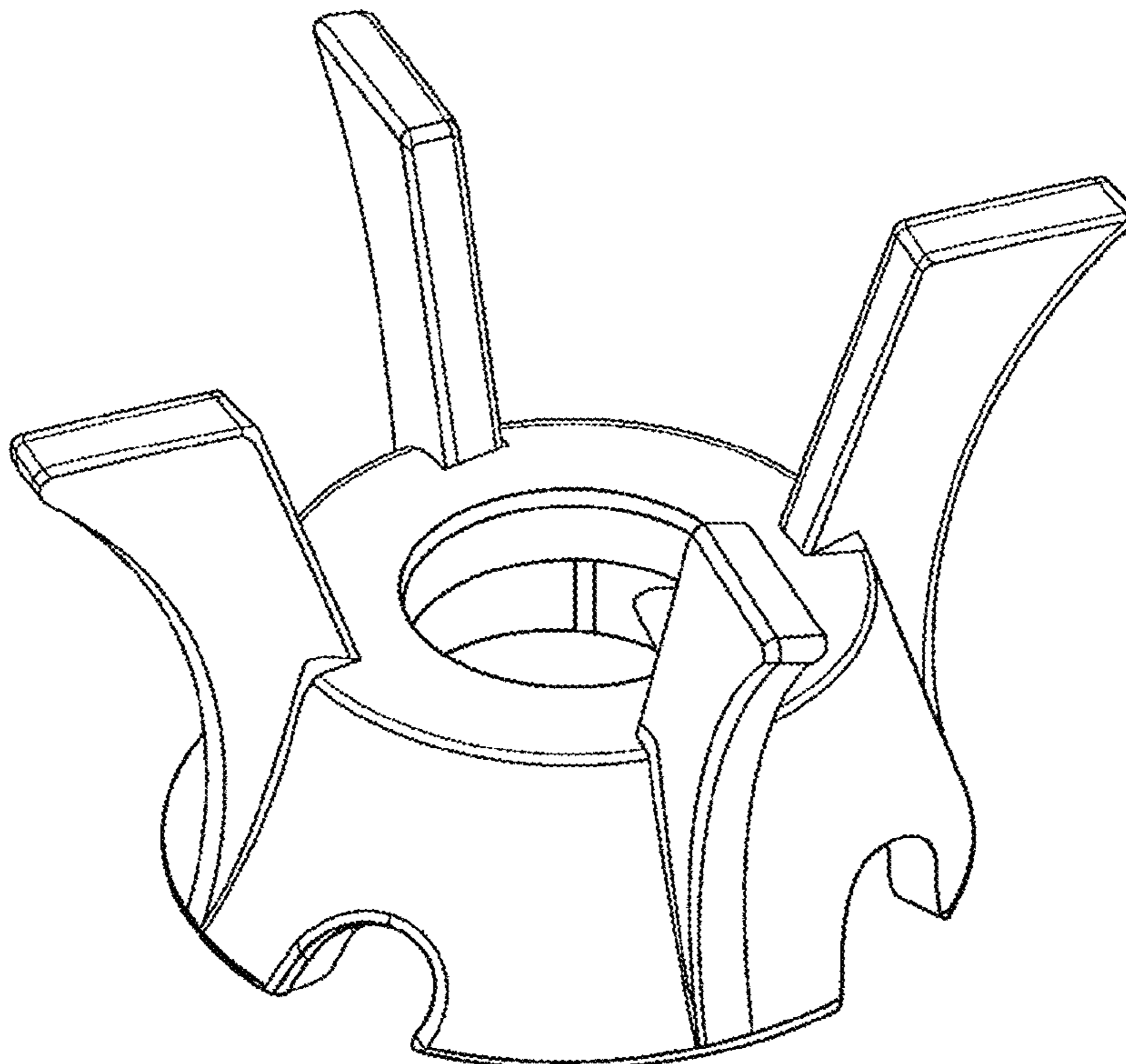
(57) **CLAIM**

The ornamental design for a stand, as shown and described.

DESCRIPTION

FIG. 1 is a front looking down perspective view of the stand;
FIG. 2 is a side view of the stand shown in FIG. 1;
FIG. 3 is a top view of the stand shown in FIG. 1; and,
FIG. 4 is a bottom view of the stand shown in FIG. 1.

1 Claim, 4 Drawing Sheets



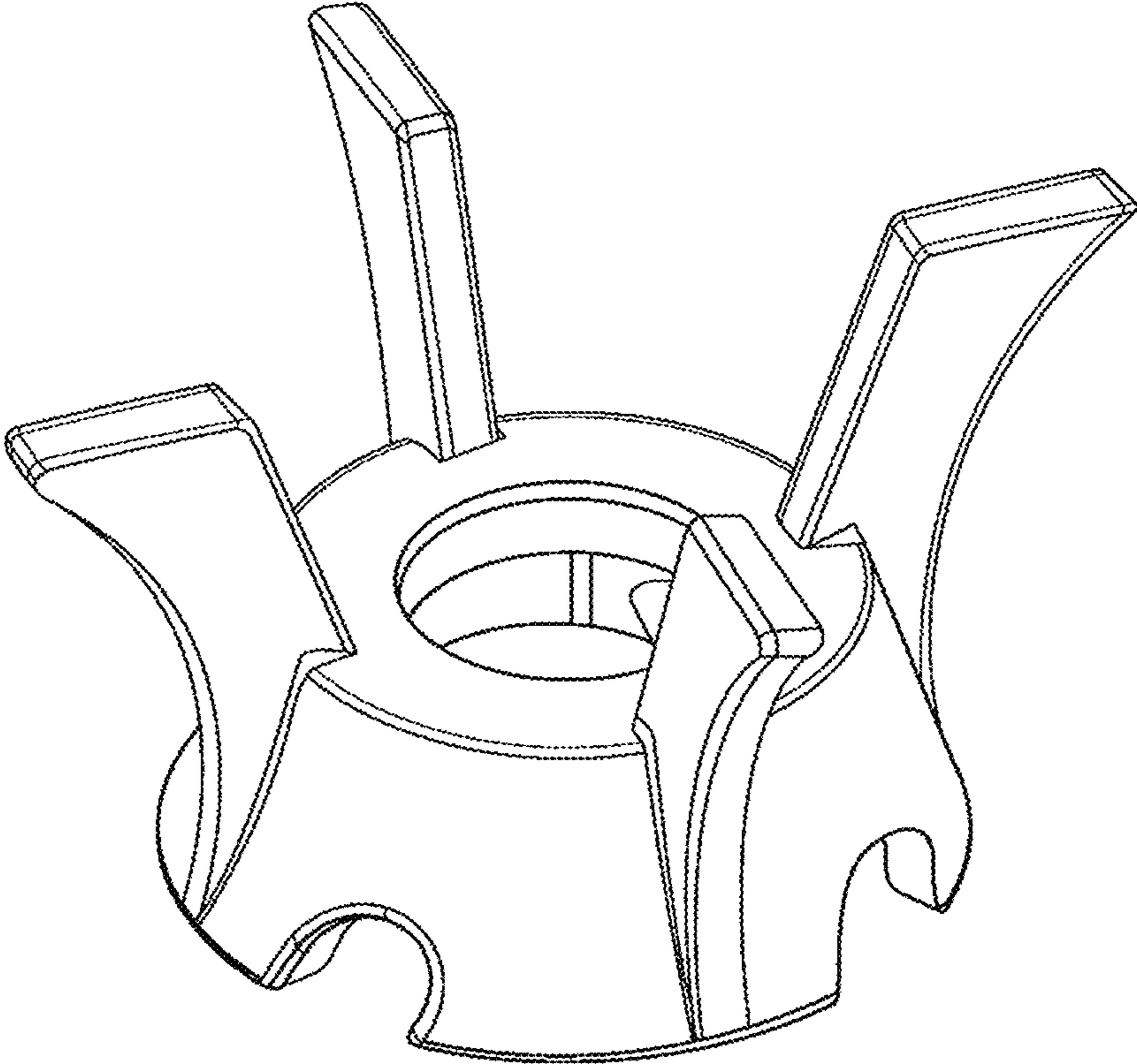


FIG. 1

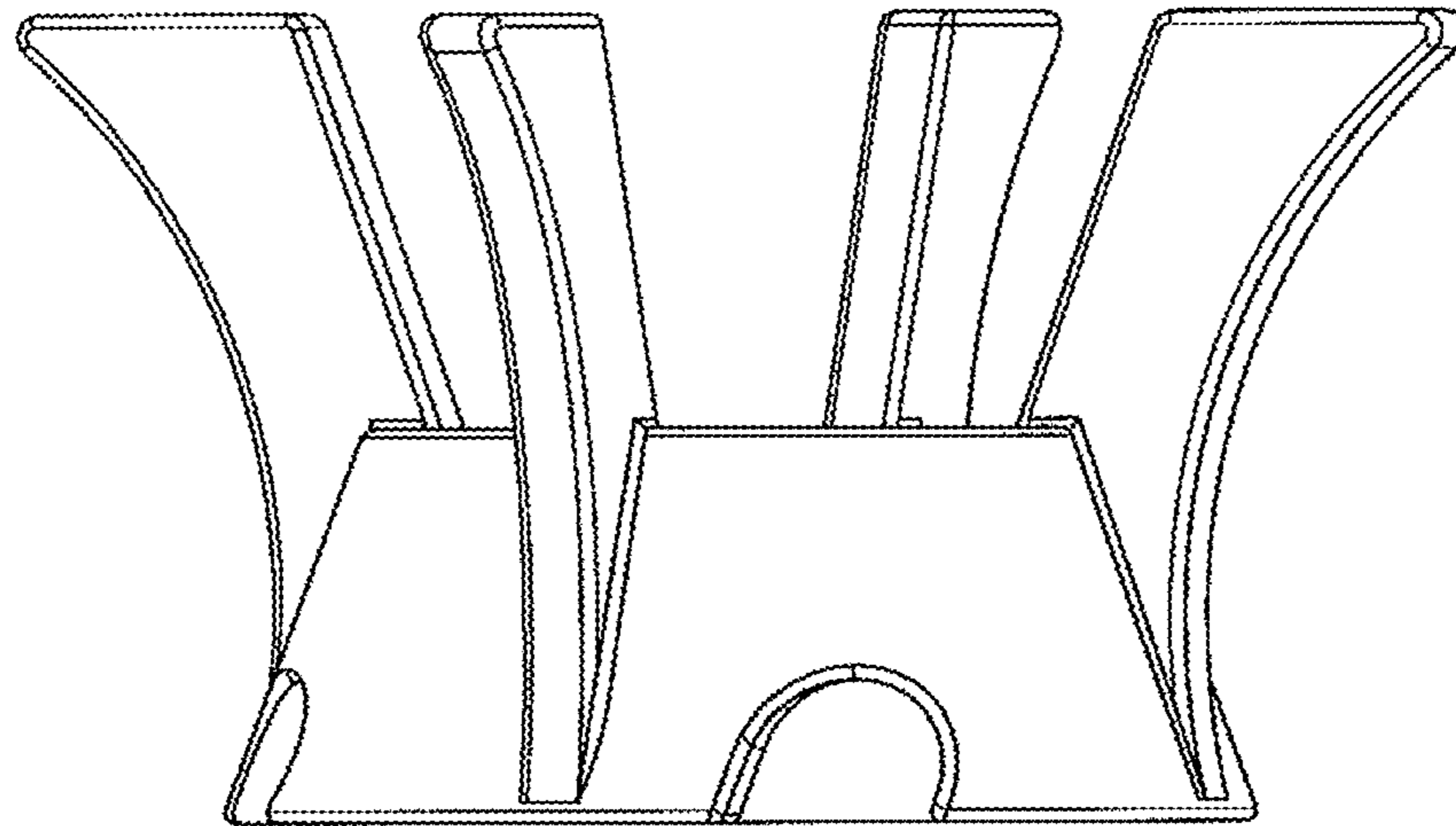


FIG. 2

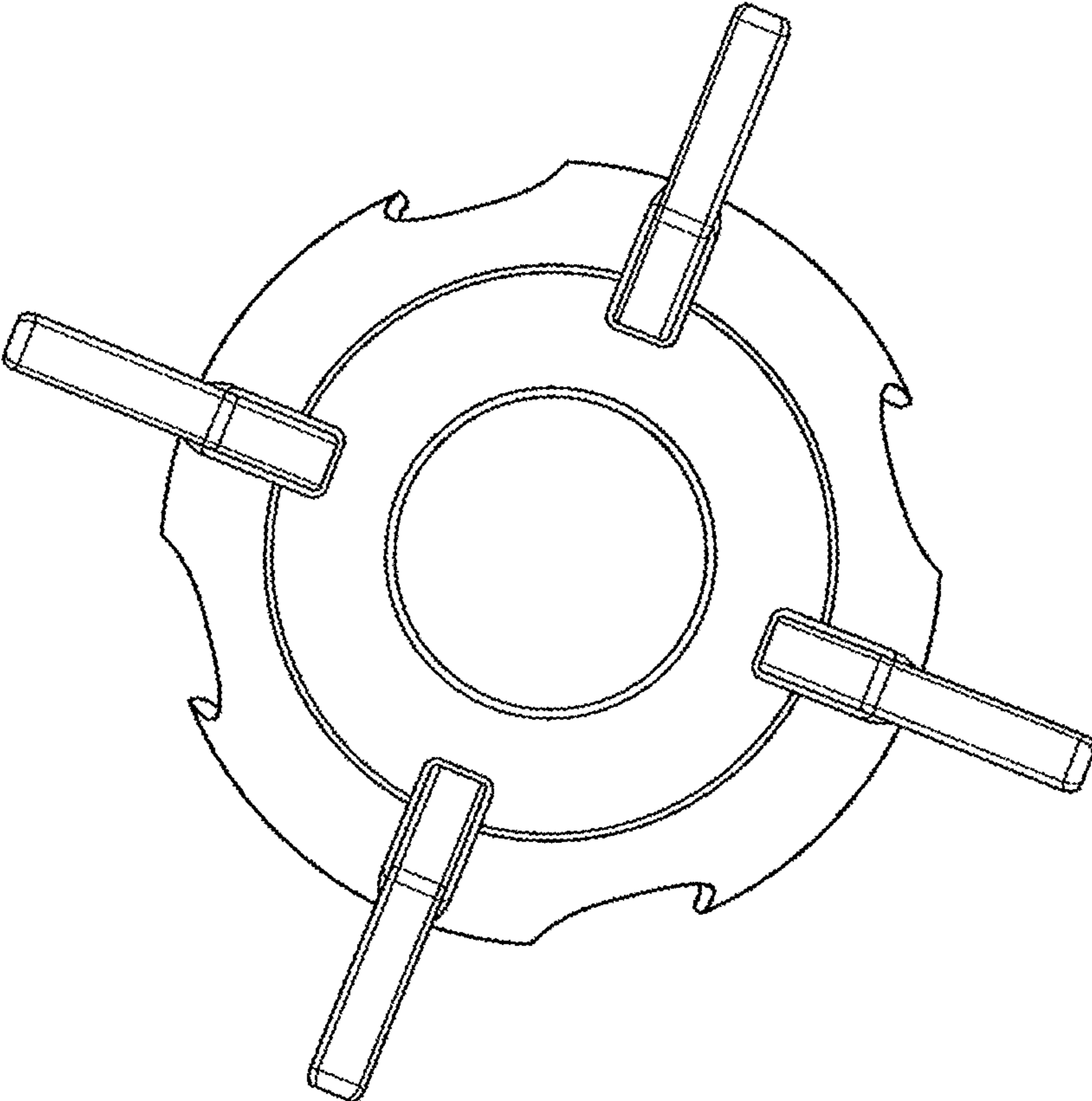


FIG. 3

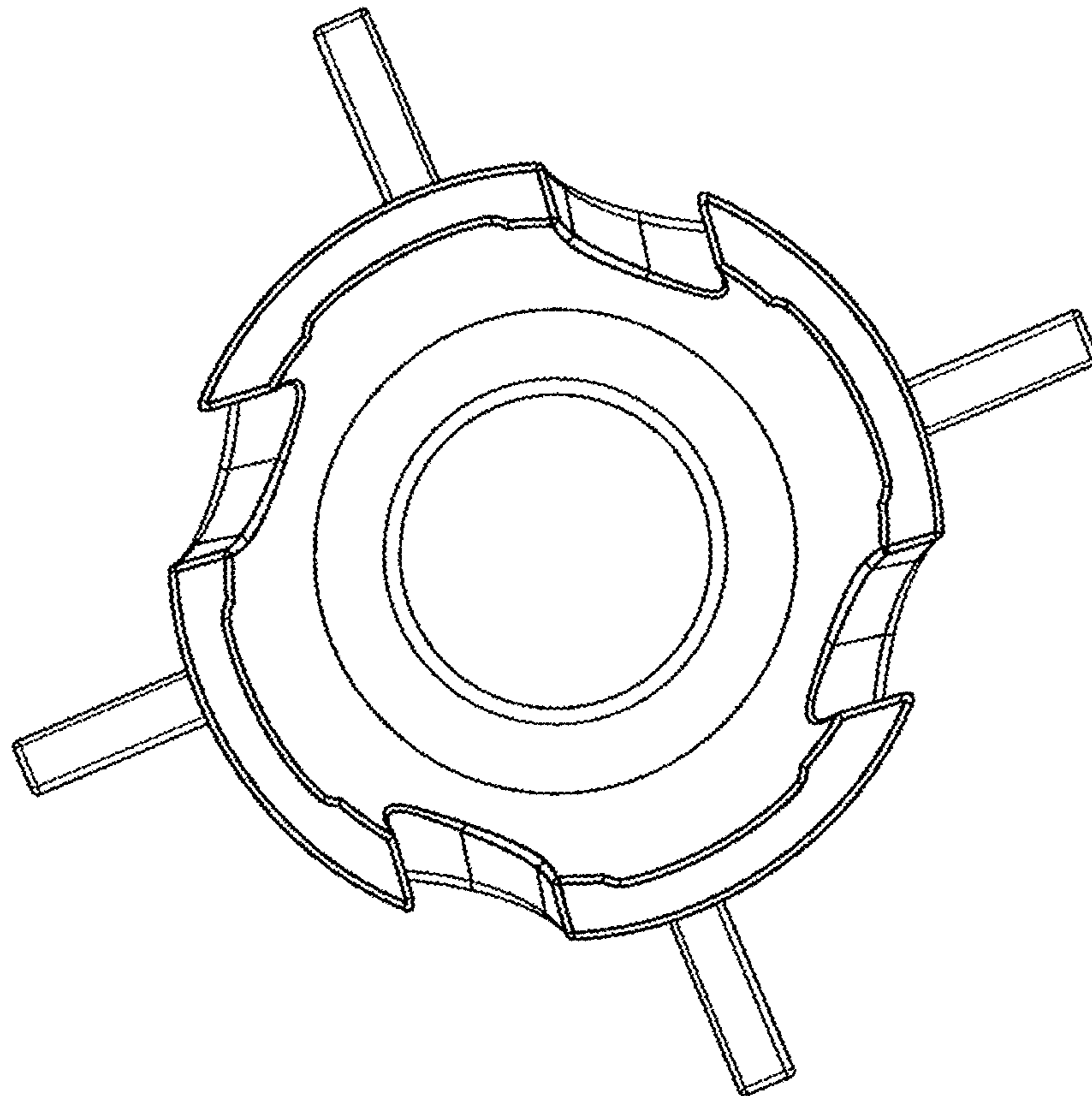


FIG. 4