



US00D869934S

(12) **United States Design Patent**  
**Wong et al.**

(10) **Patent No.: US D869,934 S**

(45) **Date of Patent: \*\* Dec. 17, 2019**

- (54) **HOLDER WITH BAR COUPLING**
- (71) Applicant: **Julielynn Yee-Ching Wong**, Toronto (CA)
- (72) Inventors: **Julielynn Yee-Ching Wong**, Toronto (CA); **Anush Sushant Agarwal**, Brampton (CA)
- (73) Assignee: **Julielynn Yee-Ching Wong**, Toronto (CA)
- (\*\*) Term: **15 Years**
- (21) Appl. No.: **29/574,205**
- (22) Filed: **Aug. 12, 2016**
- (51) **LOC (12) Cl.** ..... **08-08**
- (52) **U.S. Cl.**  
USPC ..... **D8/349**
- (58) **Field of Classification Search**  
USPC .... D6/672, 684, 680, 683.1, 703.5; D8/349, D8/354, 355, 330, 331, 333, 380, 382; D13/154, 133, 129, 199; D22/125; D25/119, 164, 199, 139, 141; D26/138, D26/76, 78, 79, 80  
CPC .. F16C 2314/72; F16C 29/0623; F16C 29/06; F16C 29/0609; F16C 29/005; F16C 29/008; F16C 29/04; F16C 29/0657; F16C 29/004; F16C 29/12; A47B 1/10; A47B 88/493; A47B 88/423; A47B 2088/4235; B44C 5/02  
See application file for complete search history.

- (56) **References Cited**  
U.S. PATENT DOCUMENTS  
2,029,051 A \* 1/1936 Blevins ..... A47G 23/0241  
215/395  
D319,383 S \* 8/1991 Kihlstrom ..... D8/349

D322,025 S *	12/1991	Funston	.....	D8/382
D337,851 S *	7/1993	Gary	.....	D26/138
D392,081 S *	3/1998	Salvucci, Sr.	.....	248/311.2
D600,067 S *	9/2009	Forsyth	.....	D7/387
D634,657 S *	3/2011	Nielsen	.....	D10/80
D704,900 S *	5/2014	Childs	.....	D29/130
D736,071 S *	8/2015	Wu	.....	D8/373
D747,177 S *	1/2016	McGinty	.....	D8/349
D754,001 S *	4/2016	Barrier	.....	D7/622
D804,286 S *	12/2017	Rock	.....	D8/349
D804,933 S *	12/2017	Rock	.....	D8/349
D805,369 S *	12/2017	Vassar	.....	D8/349

\* cited by examiner

*Primary Examiner* — Mark A Goodwin  
*Assistant Examiner* — Benjamin M Weeks  
 (74) *Attorney, Agent, or Firm* — Blake, Cassels & Graydon LLP; Brett J. Slaney

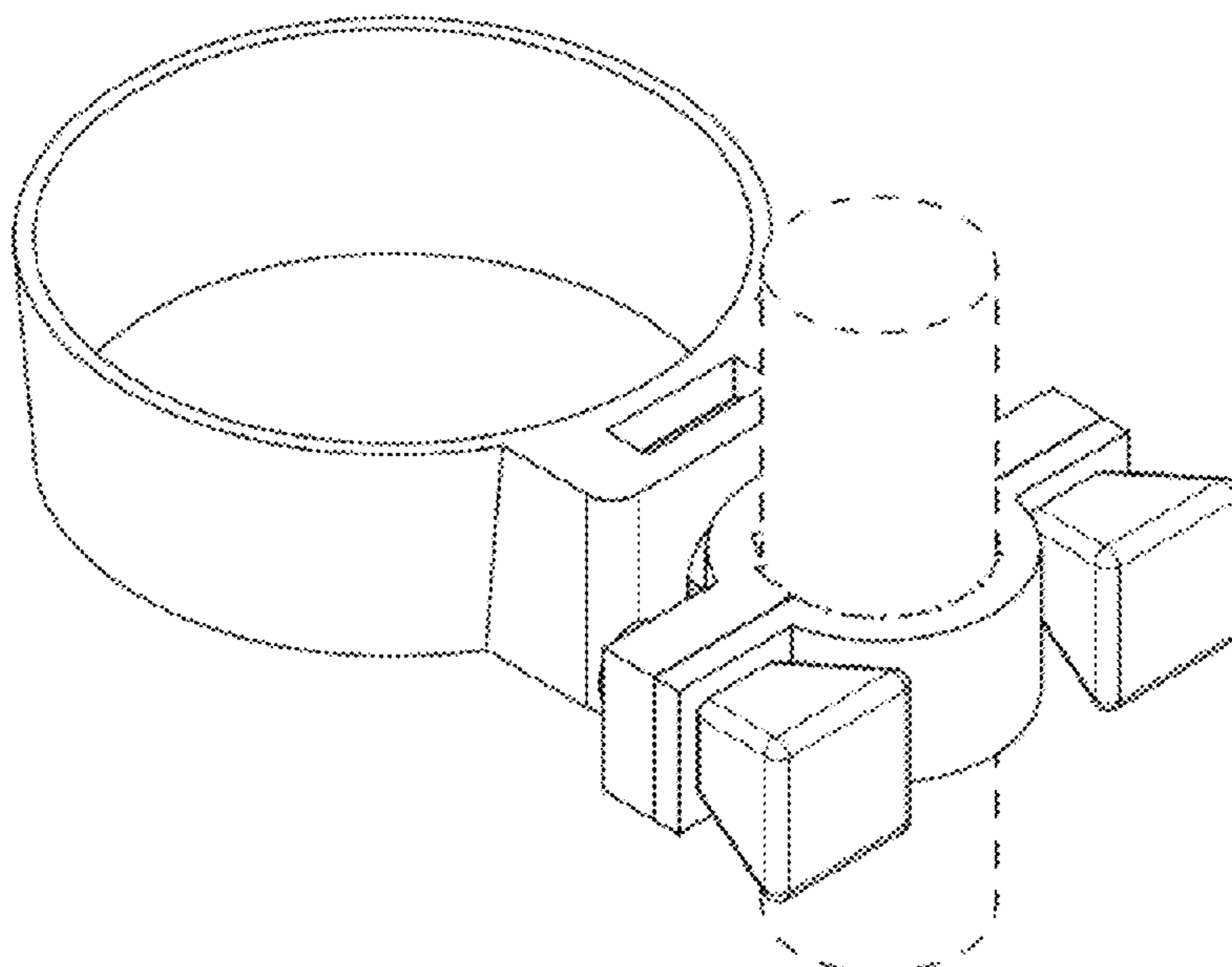
(57) **CLAIM**

The ornamental design for a holder with bar coupling, substantially as shown and described.

**DESCRIPTION**

FIG. 1 is a perspective view of a holder with bar coupling showing our new design in use condition coupled to a bar. FIG. 2 is a top view of the holder with bar coupling. FIG. 3 is a right-side view of the holder with bar coupling, with a left side view being a mirror image of the right side view. FIG. 4 is a rear view of the holder with bar coupling. FIG. 5 is a front view of the holder with bar coupling. FIG. 6 is a bottom view of the holder with bar coupling; and, FIG. 7 is an exploded perspective view of the holder with bar coupling. The broken lines shown are for illustrative purposes only and form no part of the claimed design.

**1 Claim, 5 Drawing Sheets**



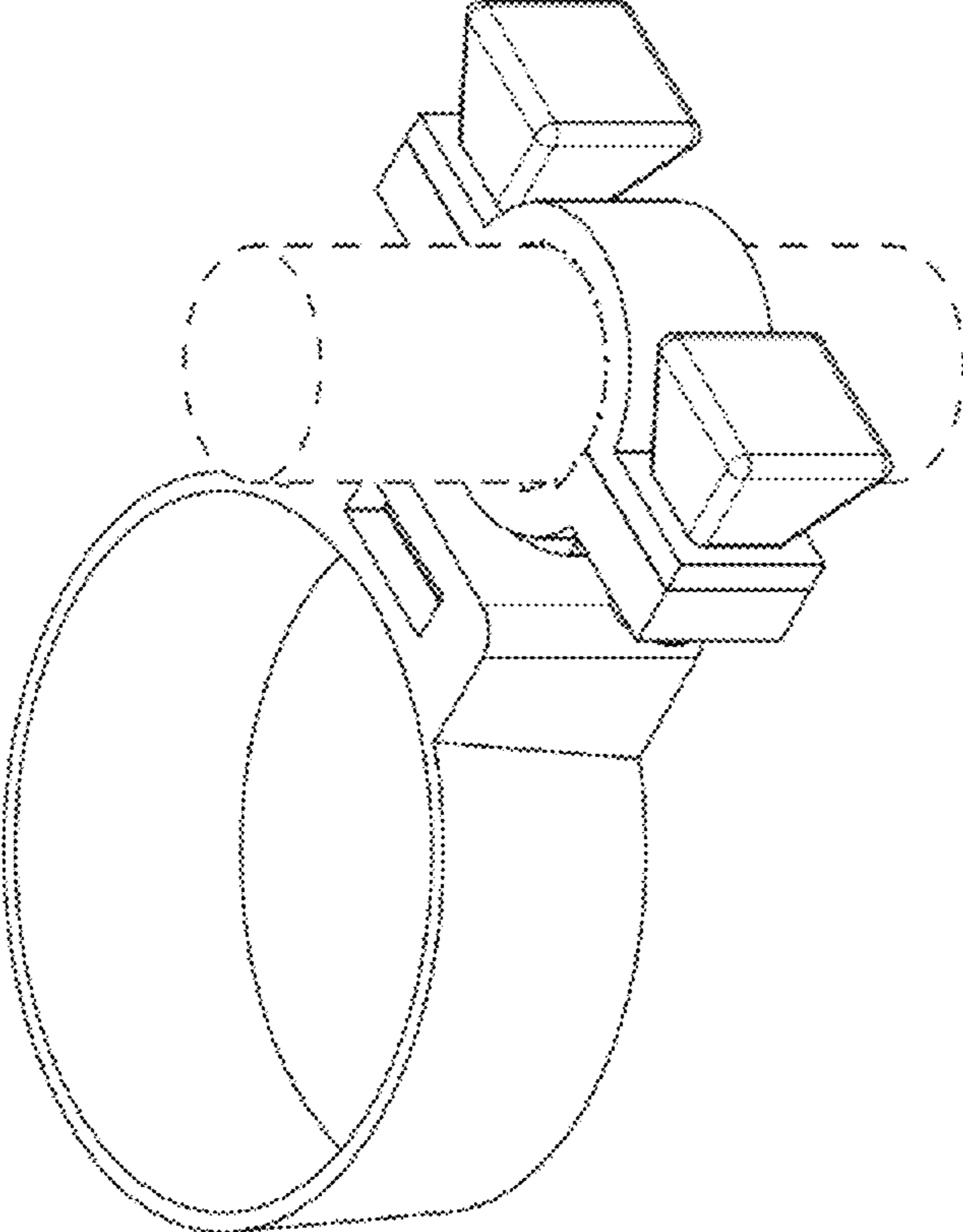


FIG. 1

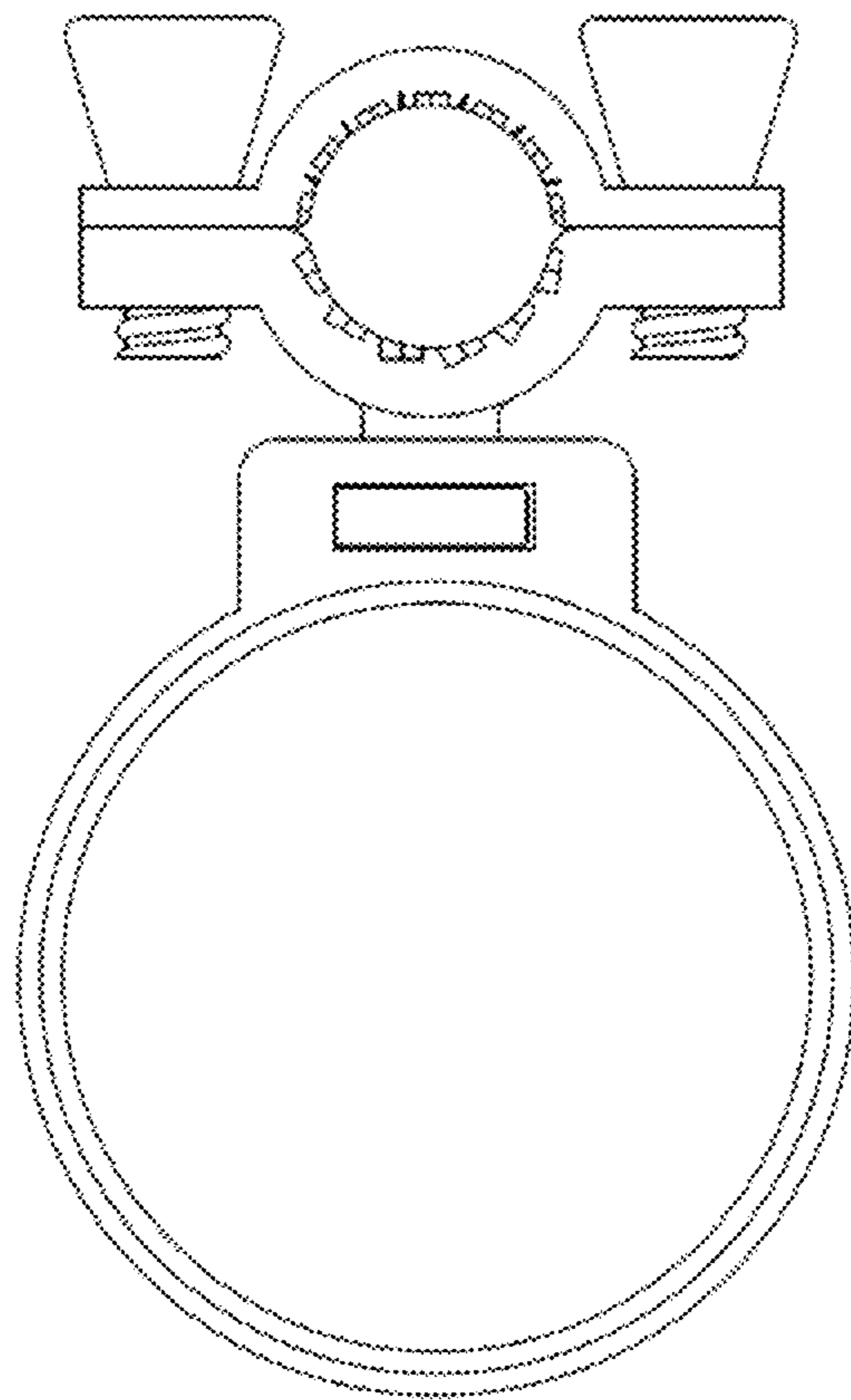


FIG. 2

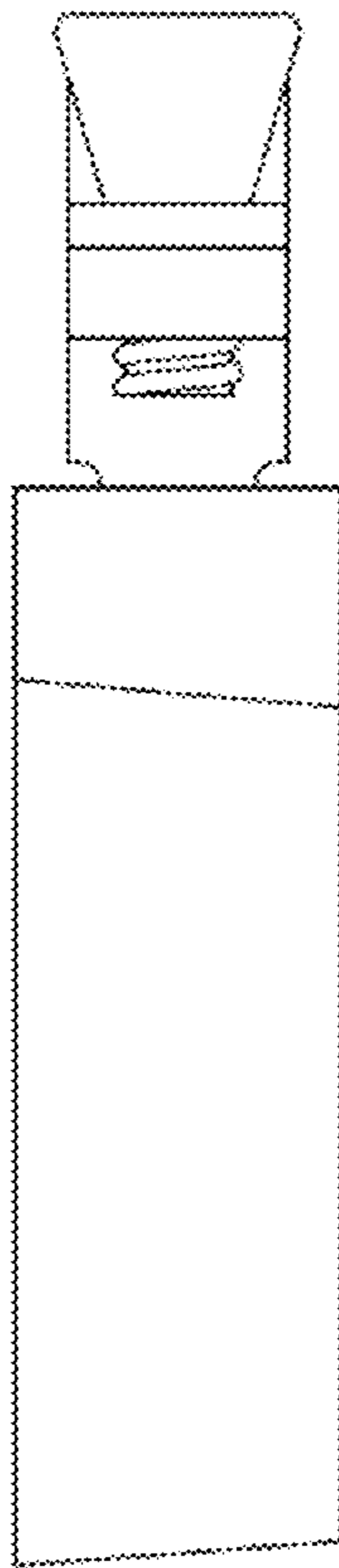


FIG. 3

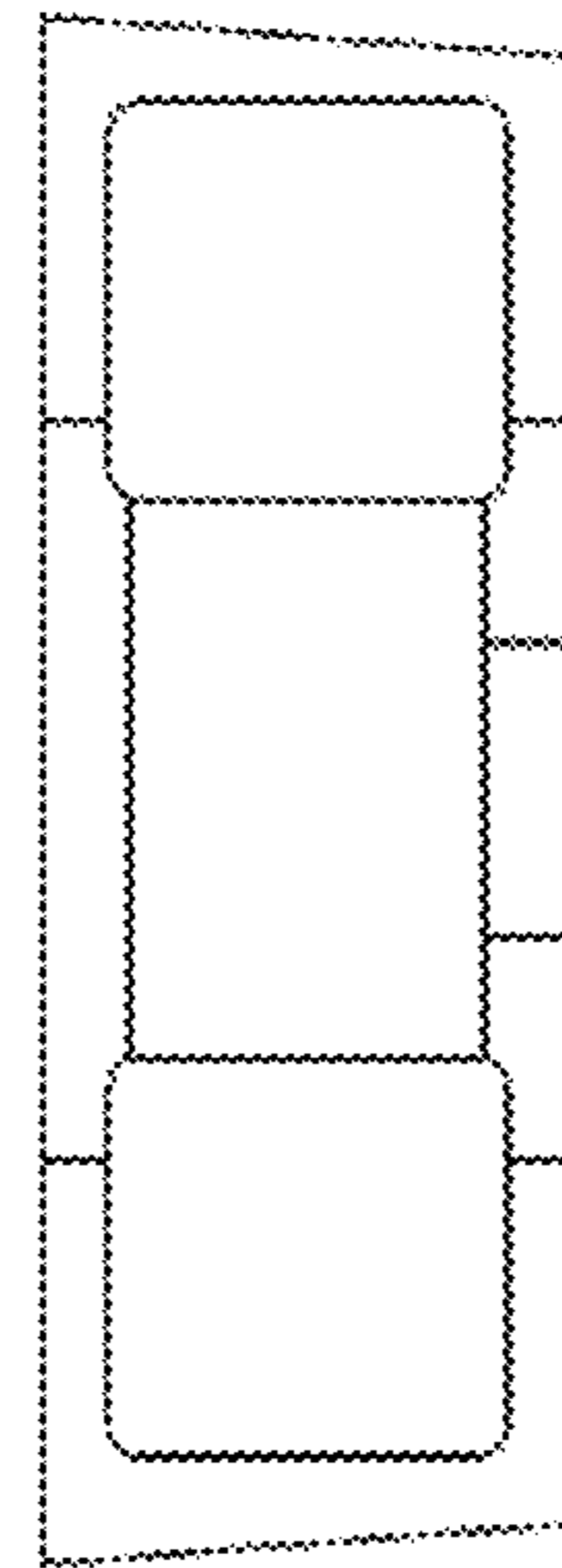


FIG. 4

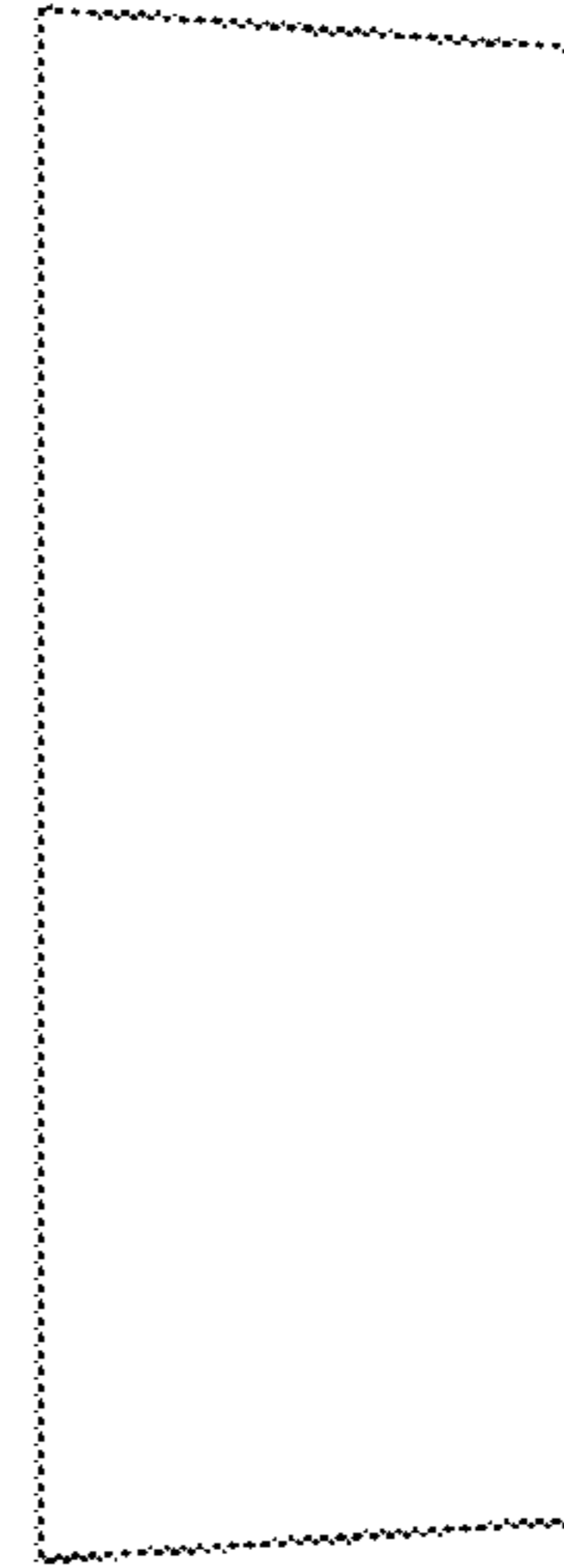


FIG. 5

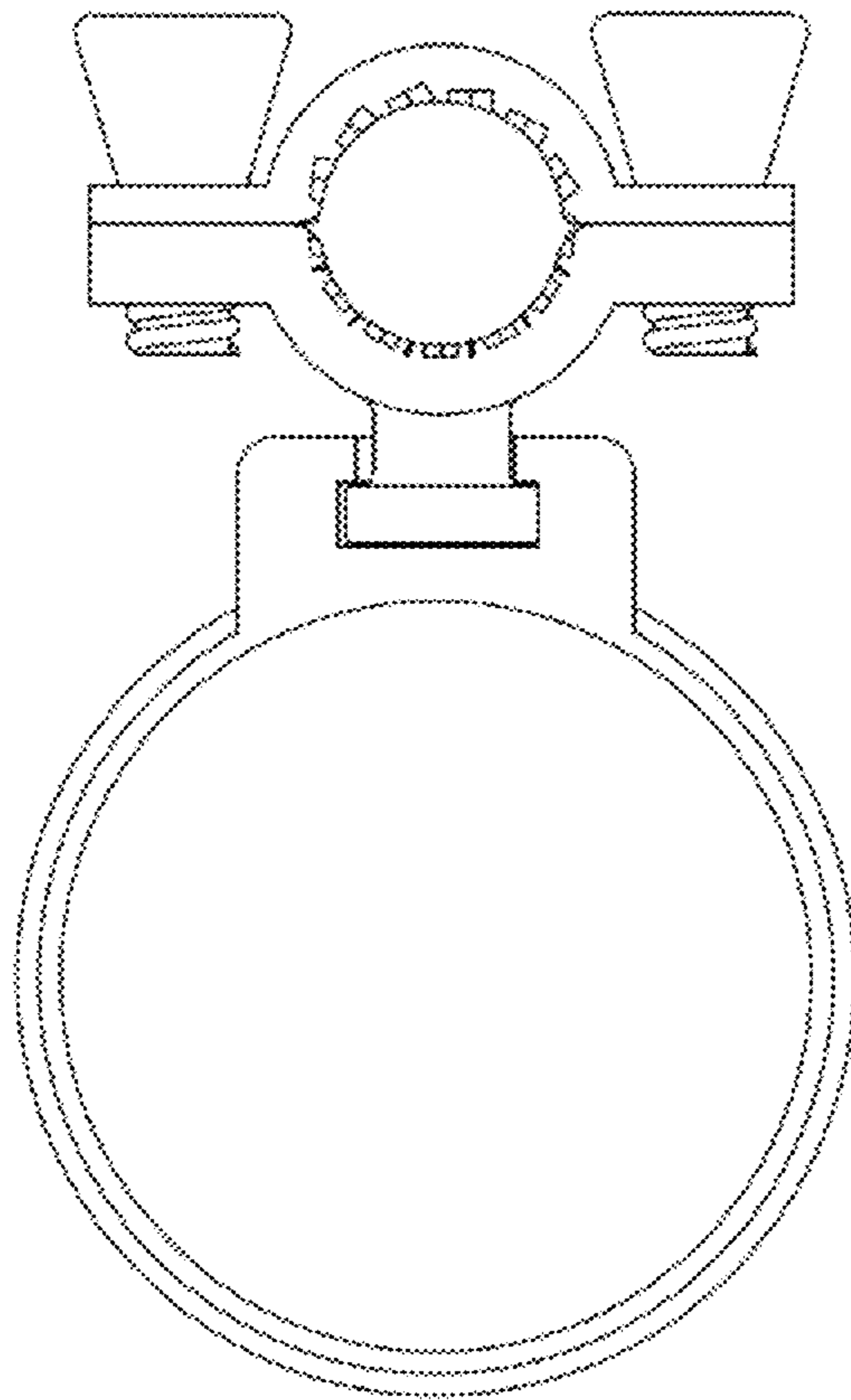


FIG. 6

