



US00D869931S

(12) **United States Design Patent**  
**Dulley et al.**

(10) **Patent No.:** **US D869,931 S**

(45) **Date of Patent:** **\*\* Dec. 17, 2019**

(54) **HANDLE**

(71) Applicant: **Buster and Punch Limited**, Stamford (GB)

(72) Inventors: **Iain Donald Dulley**, Winchester (GB); **Christopher Arthur Cooper**, London (GB); **Massimo Buster Minale**, London (GB)

(73) Assignee: **Buster and Punch Limited**, Stamford (GB)

(\*\*) Term: **15 Years**

(21) Appl. No.: **29/700,475**

(22) Filed: **Aug. 2, 2019**

**Related U.S. Application Data**

(60) Continuation of application No. 29/660,764, filed on Aug. 22, 2018, which is a division of application No. (Continued)

(30) **Foreign Application Priority Data**

May 12, 2016 (EM) ..... 003124122-0001  
May 12, 2016 (EM) ..... 003124122-0002  
May 12, 2016 (EM) ..... 003124122-0003  
May 12, 2016 (EM) ..... 003124122-0004

(51) **LOC (12) Cl.** ..... **08-06**

(52) **U.S. Cl.**  
USPC ..... **D8/308**

(58) **Field of Classification Search**  
USPC ..... D8/300-302, 307-309; D23/250, 252; D7/393  
CPC ..... Y10T 16/44; Y10T 74/20612; Y10T 74/20732; Y10T 16/458; Y10T 16/498; Y10T 16/469; Y10T 16/476; Y10T 74/20744; Y10T 74/20864; Y10T 16/4628; Y10T 74/20642; Y10T 16/473; Y10T 74/20762; Y10T 74/2042; Y10T

74/20828; Y10T 16/459; Y10T 16/4713; Y10T 74/2014; Y10T 16/50; Y10T 74/20438; Y10T 74/20582; Y10T 74/20738; Y10T 16/48; Y10T 74/20618; Y10T 74/20684; Y10T 74/20624; Y10T 74/20468; Y10T 16/61; Y10T 16/4719; Y10T 16/86; Y10S 16/30; Y10S 292/31; Y10S 292/53; Y10S 16/12; Y10S 292/23; Y10S 292/27; Y10S 292/30; Y10S 292/63; E05B 85/16; E05B 1/0015; E05B 77/06; E05B 79/06; E05B 85/18; E05B 85/12; E05B 85/10; E05B 7/00; E05B 1/0053; E05B 77/265

See application file for complete search history.

(56) **References Cited**

U.S. PATENT DOCUMENTS

D83,157 S \* 1/1931 Graff ..... D8/308  
4,087,187 A 5/1978 Asaro  
(Continued)

*Primary Examiner* — Lauren R Calve

(74) *Attorney, Agent, or Firm* — Dascenzo Intellectual Property Law, P.C.; David S. D'Ascenzo

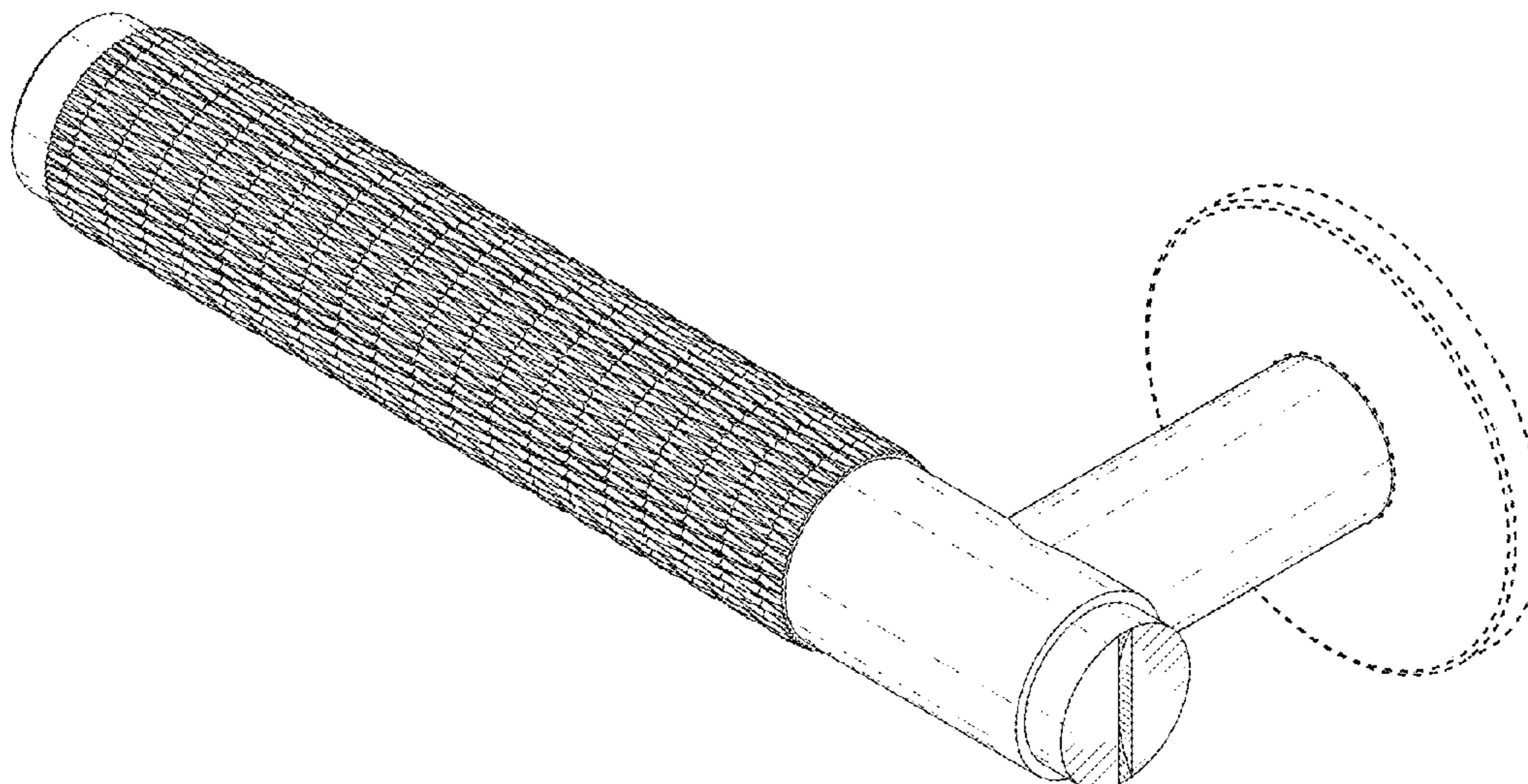
(57) **CLAIM**

The ornamental design for a handle, as shown and described.

**DESCRIPTION**

FIG. 1 is an isometric view of a handle showing a design according to the present disclosure.  
FIG. 2 is an end view of the handle.  
FIG. 3 is a side view of the handle.  
FIG. 4 is a second side view of the handle; and,  
FIG. 5 is an opposite side view of FIG. 4 of the handle.  
The shade lines shown in the drawings represent contour shading and not surface decoration. The opposite end view not shown forms no part of the claimed design.

**1 Claim, 5 Drawing Sheets**



**Related U.S. Application Data**

29/583,171, filed on Nov. 2, 2016, now Pat. No. Des. 829,076.

(56)

**References Cited**

U.S. PATENT DOCUMENTS

4,373,405	A	2/1983	Geil	
D291,053	S	7/1987	Decursu	
D296,815	S *	7/1988	Jans .....	D23/252
D299,109	S *	12/1988	Jans .....	D23/252
D398,214	S	9/1998	Yui	
D405,743	S	2/1999	Hussaini	
D438,775	S *	3/2001	Magnusson .....	D8/308
D445,735	S	7/2001	Sheu	
D475,270	S	6/2003	Lloyd et al.	
D489,602	S	5/2004	Menta	
D500,241	S	12/2004	Choi	
D504,309	S	4/2005	Fuchs	
D511,290	S	11/2005	Coudurier	
D513,237	S	12/2005	Langner et al.	
D514,420	S	2/2006	Xu	
D523,319	S *	6/2006	Hu .....	D8/308

D568,447	S *	5/2008	Lai .....	D23/252
D569,219	S	5/2008	Sjögren	
D573,233	S *	7/2008	Dolan .....	D23/252
D619,872	S	7/2010	Singtoroj	
D627,441	S *	11/2010	Sedwick .....	D23/252
D737,652	S	9/2015	Harden et al.	
D738,468	S	9/2015	Bahler	
D758,825	S	6/2016	Nesbitt	
D781,126	S	3/2017	Pionek et al.	
D787,640	S *	5/2017	Kirar .....	D23/252
D788,566	S	6/2017	Wang	
D794,884	S	8/2017	Ayers	
D801,289	S	10/2017	Minale et al.	
D829,076	S	9/2018	Dulley et al.	
D829,866	S	10/2018	Kirar et al.	
D830,521	S	10/2018	Kirar et al.	
D838,572	S	1/2019	Su	
D842,073	S *	3/2019	Minale .....	D8/315
2004/0245080	A1	12/2004	Turner	
2010/0019516	A1	1/2010	Williamson	
2015/0331441	A1	11/2015	Ho et al.	
2016/0002954	A1 *	1/2016	Ali .....	E05B 63/18 292/336.3
2016/0145895	A1	5/2016	Kankkunen	

\* cited by examiner

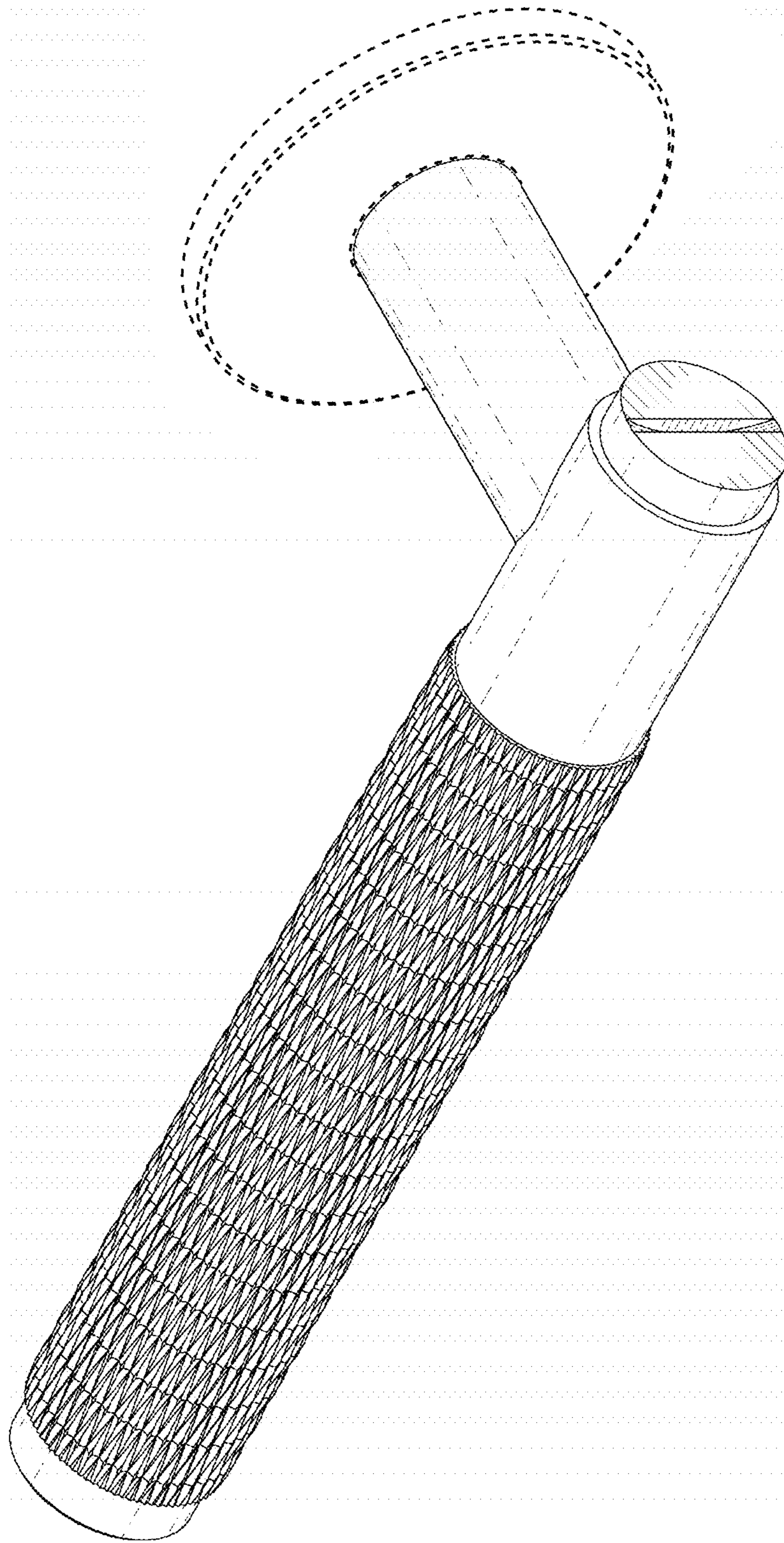


FIG. 1

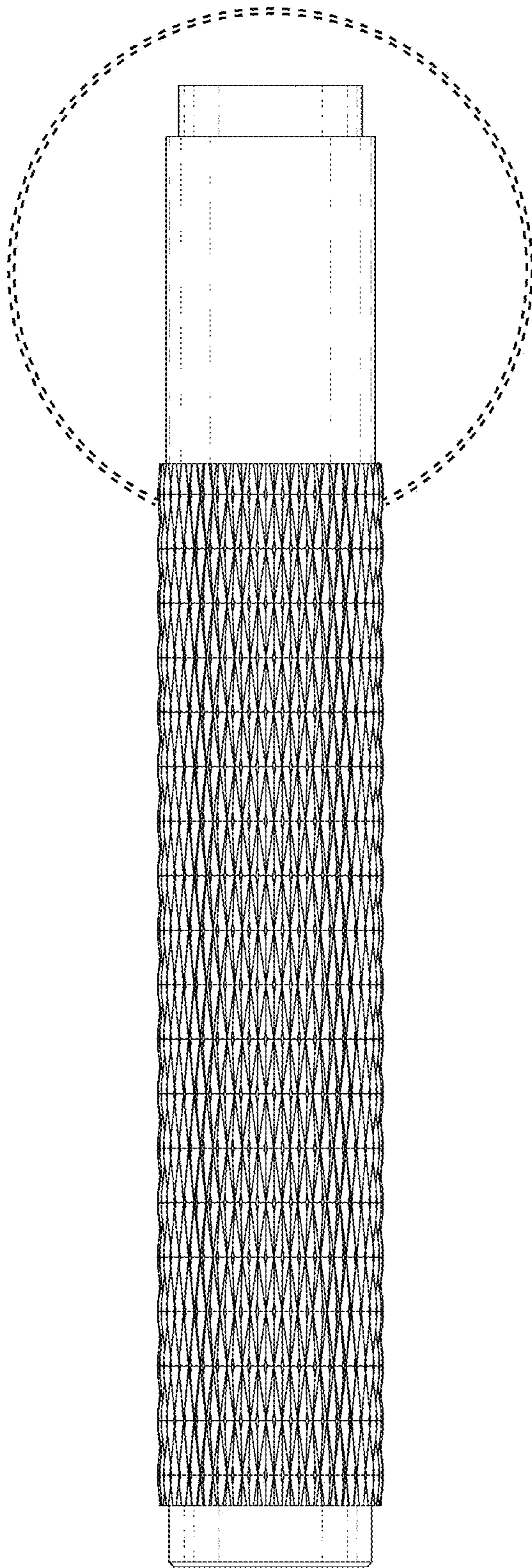


FIG. 2

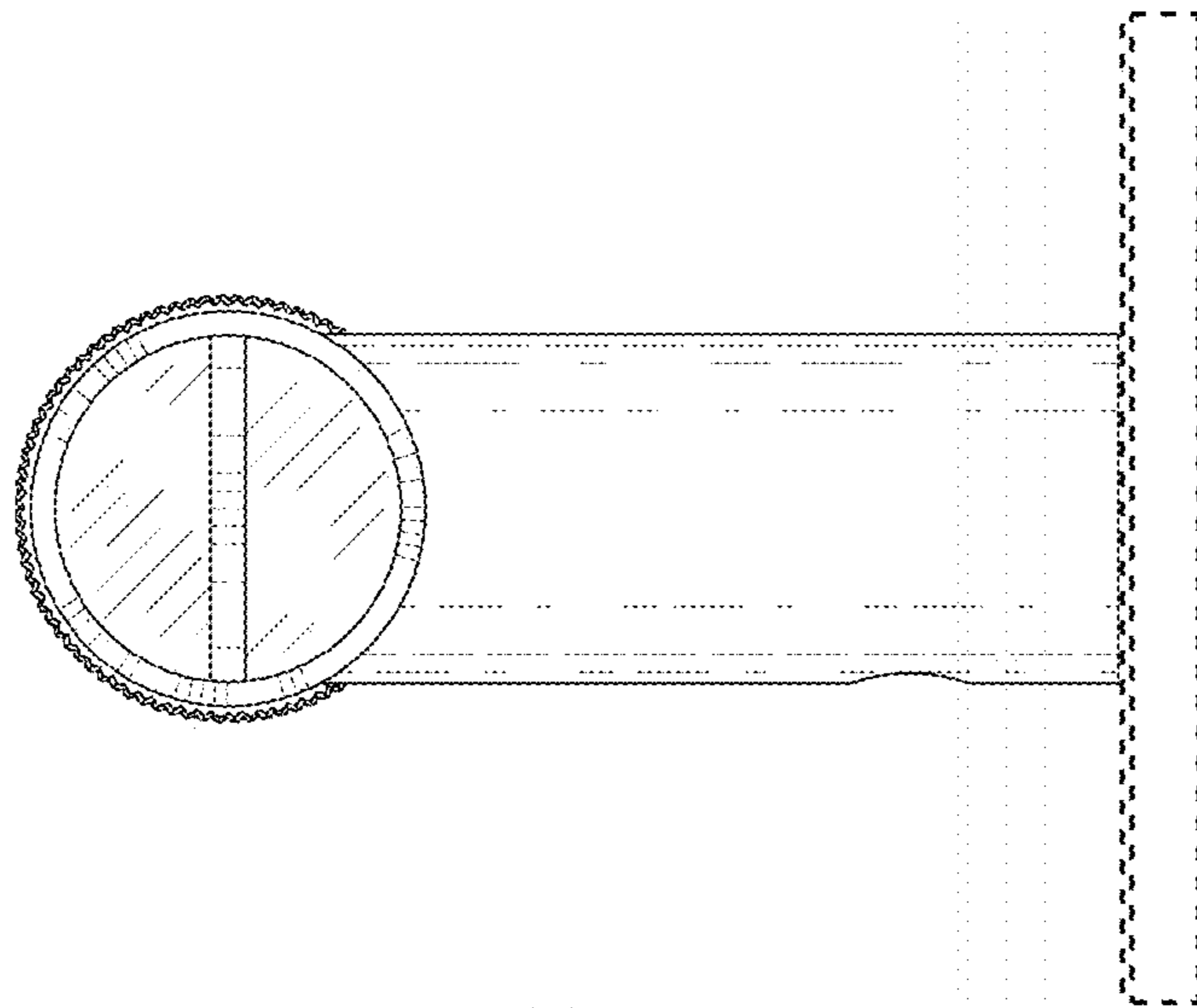


FIG. 3

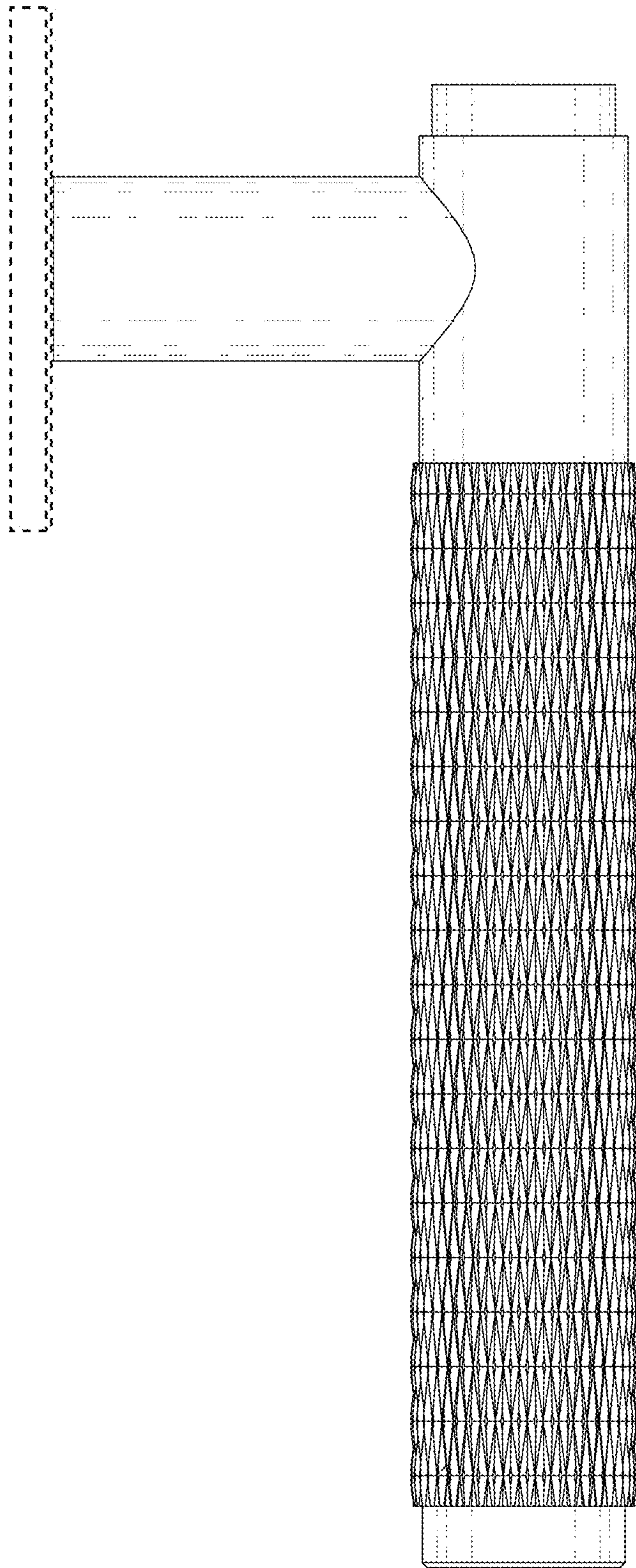


FIG. 4

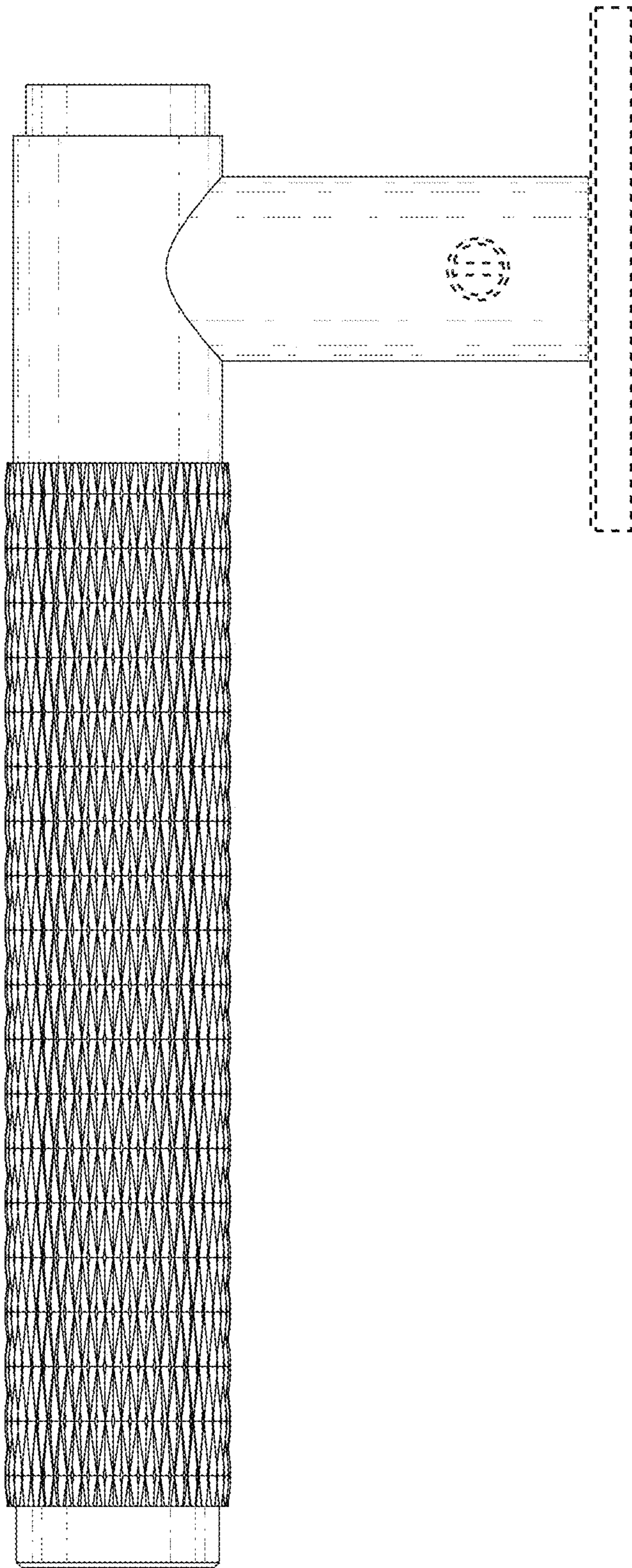


FIG. 5