

US00D869930S

(12) **United States Design Patent** (10) **Patent No.:** **US D869,930 S**  
**Parker et al.** (45) **Date of Patent:** **\*\* Dec. 17, 2019**

(54) **MULTI-PURPOSE TOOL**

(71) Applicants: **Chadwick Sterling Parker**,  
Schaumburg, IL (US); **Zheng Huang**,  
Schaumburg, IL (US)

(72) Inventors: **Chadwick Sterling Parker**,  
Schaumburg, IL (US); **Zheng Huang**,  
Schaumburg, IL (US)

(\*\*) Term: **15 Years**

(21) Appl. No.: **29/591,247**

(22) Filed: **Jan. 18, 2017**

(51) **LOC (12) Cl.** ..... **08-05**

(52) **U.S. Cl.**  
USPC ..... **D8/105**; D8/99

(58) **Field of Classification Search**  
CPC ..... B26B 5/00; B25F 1/00; F16M 13/00  
See application file for complete search history.

(56) **References Cited**

**U.S. PATENT DOCUMENTS**

D302,514 S *	8/1989	Gates	.....	D8/105
D422,766 S *	4/2000	Whitman	.....	D32/46
D622,574 S *	8/2010	Garcia	.....	D8/105
D649,001 S *	11/2011	Still	.....	D8/105
D726,517 S *	4/2015	Fischer	.....	D8/17
D743,236 S *	11/2015	Fischer	.....	D8/99
D746,119 S *	12/2015	Pelton	.....	D8/99
D749,928 S *	2/2016	Stobar	.....	D8/99
D749,929 S *	2/2016	Stobar	.....	D8/99
D768,980 S *	10/2016	Alexander	.....	D3/210
D780,550 S *	3/2017	Manor	.....	D8/105

D782,892 S *	4/2017	Fischer	.....	D8/99
D796,932 S *	9/2017	Sung	.....	D8/99
D803,024 S *	11/2017	Wang	.....	D8/99
D821,174 S *	6/2018	Rohrbach	.....	D8/99
D832,673 S *	11/2018	Berman	.....	D8/105
D852,019 S *	6/2019	Thomsen	.....	D8/99
2019/0232507 A1 *	8/2019	Su	.....	B26B 5/00

\* cited by examiner

*Primary Examiner* — Janice Hallmark

(74) *Attorney, Agent, or Firm* — Dunlap Bennett &  
Ludwig PLLC; Brendan E. Squire

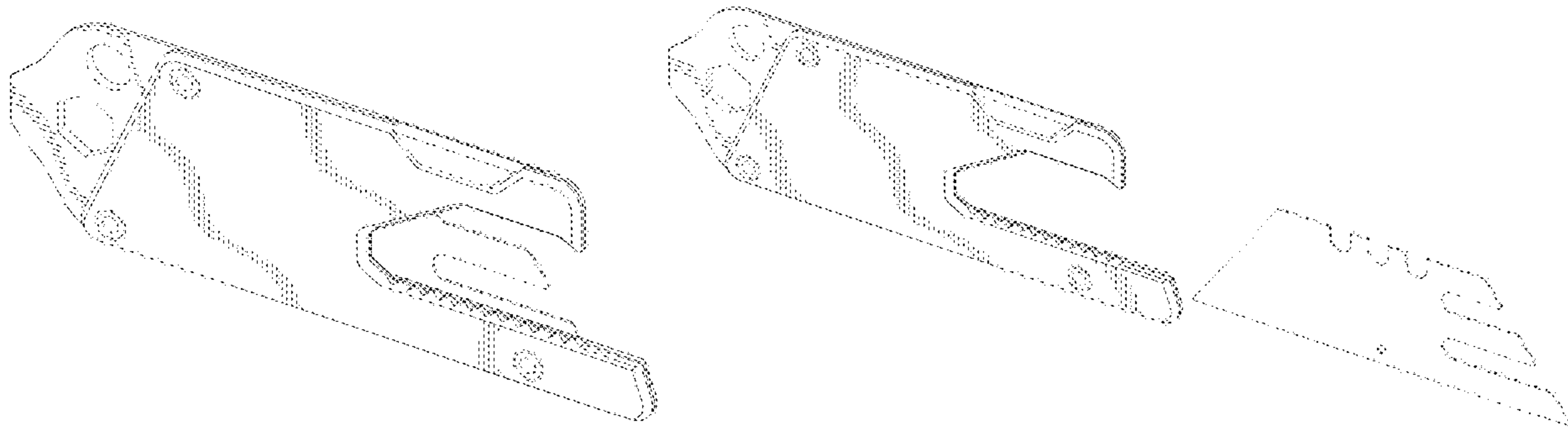
(57) **CLAIM**

The ornamental design for a multi-purpose tool, as shown and described.

**DESCRIPTION**

FIG. 1 is a perspective view the multi-purpose tool showing my new design;  
FIG. 2 is a left side elevation view thereof;  
FIG. 3 is a right side elevation view thereof;  
FIG. 4 is a top plan view thereof;  
FIG. 5 is a bottom plan view thereof;  
FIG. 6 is a rear elevation view thereof;  
FIG. 7 is a front elevation view thereof;  
FIG. 8 is a perspective view thereof showing the multi-purpose tool of FIG. 1 in an alternate position; and,  
FIG. 9 is an exploded perspective view thereof.  
The broken lines shown in the drawings illustrate portions of the multi-purpose tool that form no part of the claimed design.

**1 Claim, 4 Drawing Sheets**



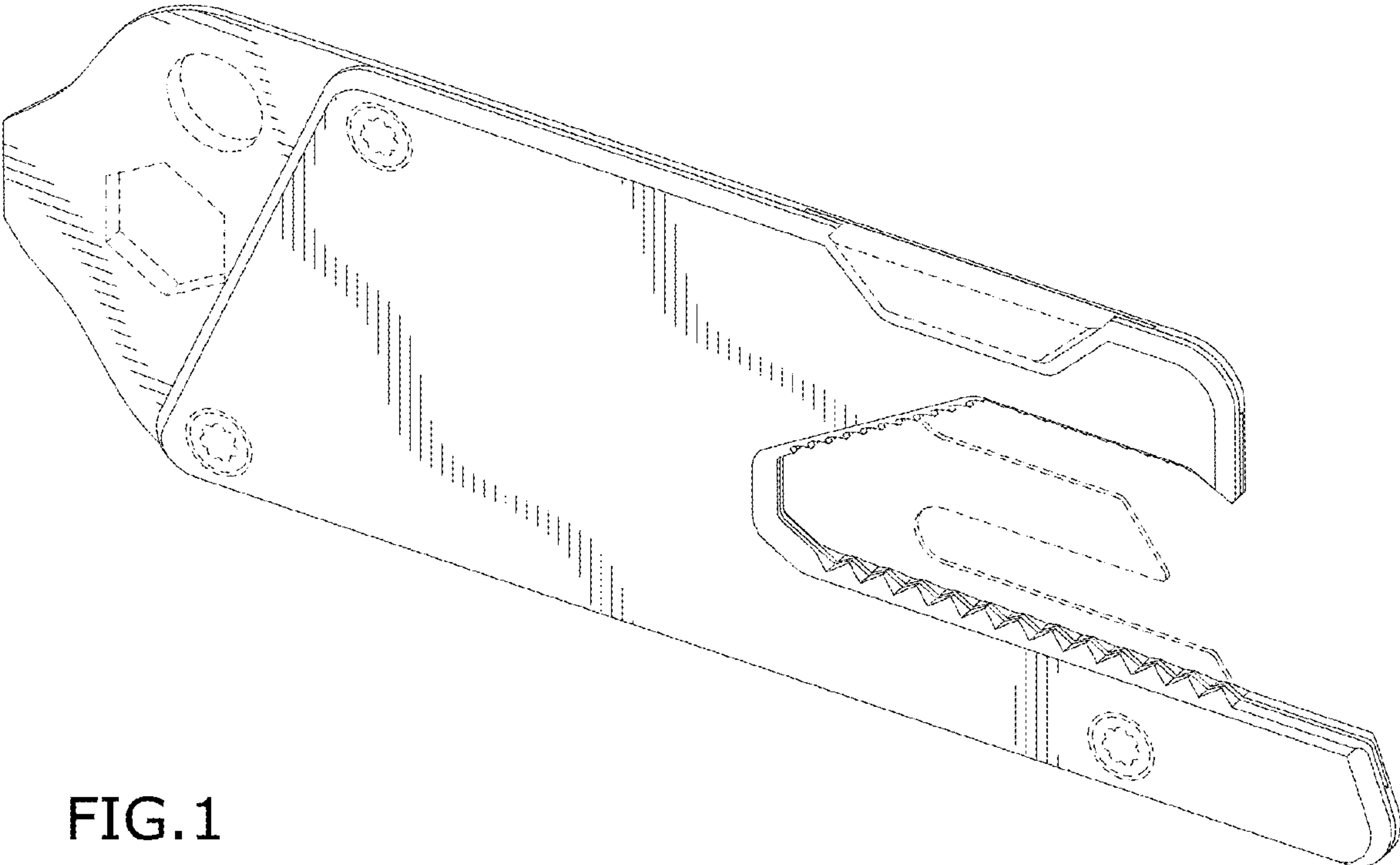


FIG.1

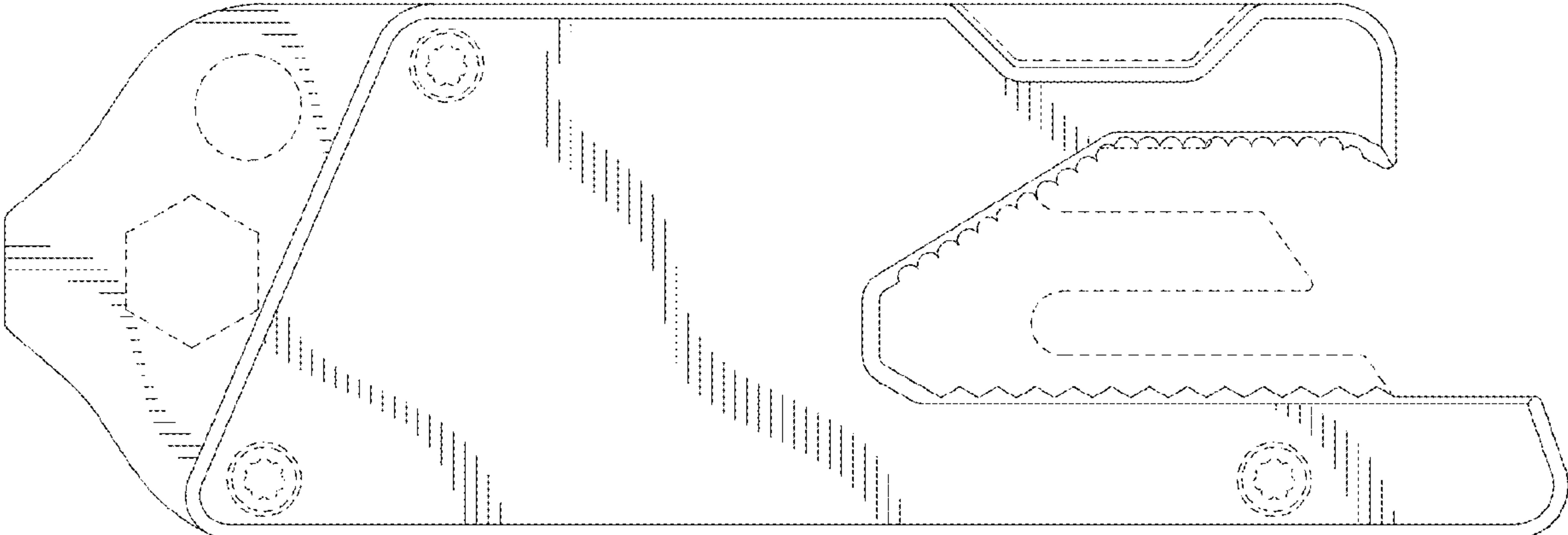


FIG.2

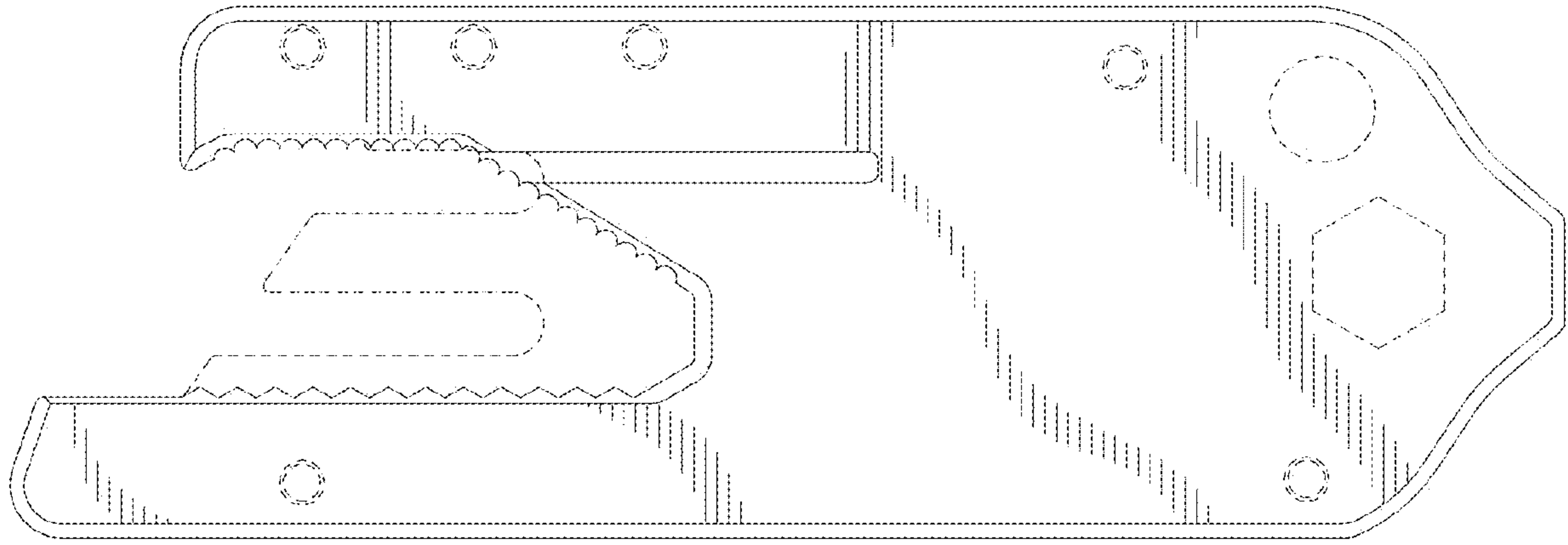


FIG. 3

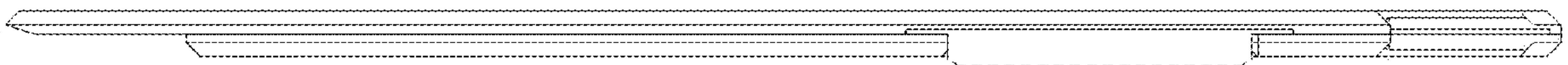


FIG. 4

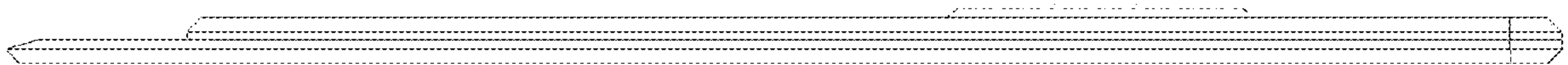


FIG. 5

FIG.6

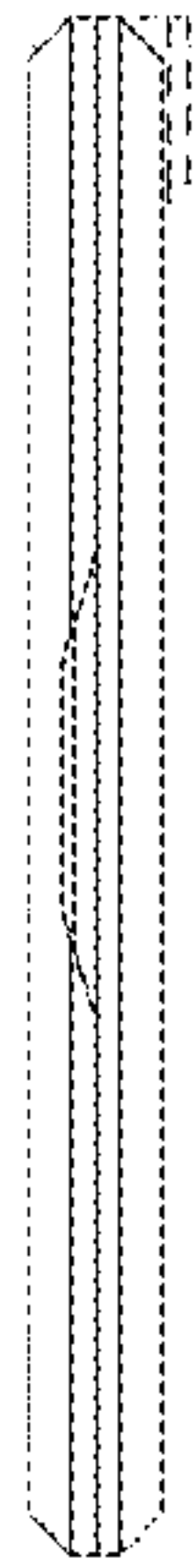


FIG.7

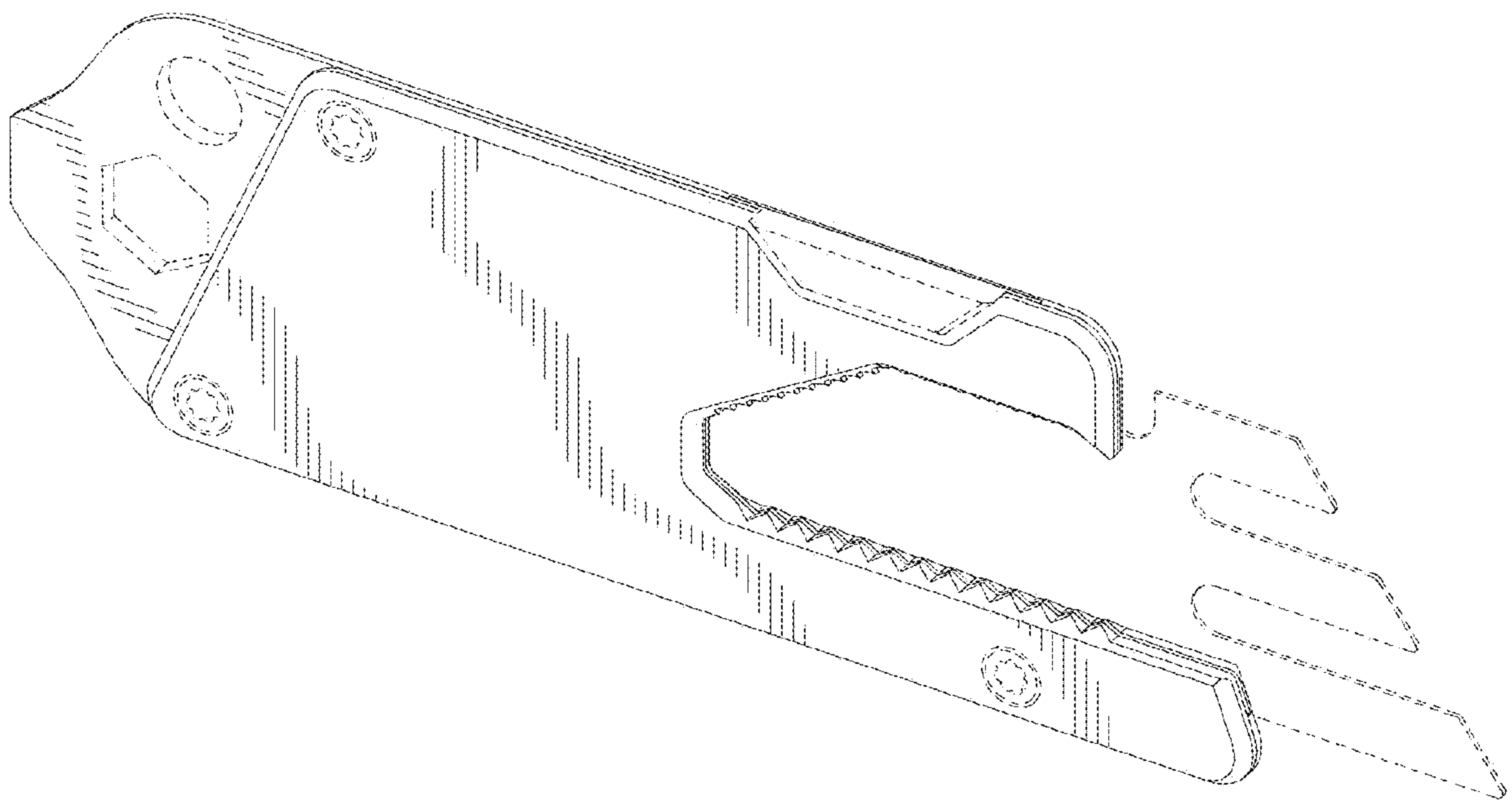


FIG.8

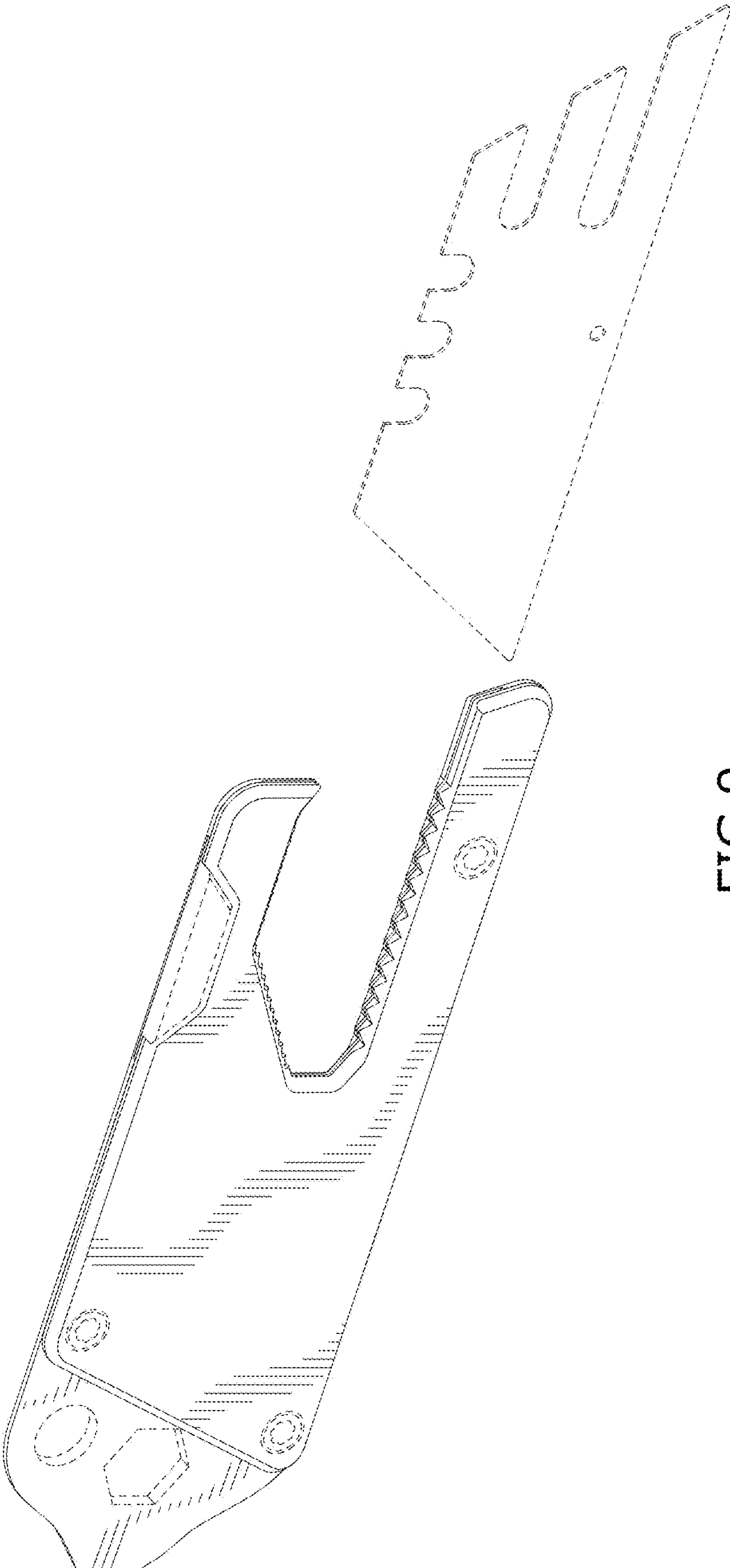


FIG.9