



US00D869928S

(12) **United States Design Patent** (10) **Patent No.:** **US D869,928 S**  
**Hsiao** (45) **Date of Patent:** **\*\* Dec. 17, 2019**

(54) **AIR HAMMER**  
(71) Applicant: **Wen-Liang Hsiao**, New Taipei (TW)  
(72) Inventor: **Wen-Liang Hsiao**, New Taipei (TW)  
(73) Assignee: **JIH I PNEUMATIC INDUSTRIAL CO., LTD.**, New Taipei (TW)  
(\*\*) Term: **15 Years**  
(21) Appl. No.: **29/622,063**  
(22) Filed: **Oct. 13, 2017**  
(51) **LOC (12) Cl.** ..... **08-05**  
(52) **U.S. Cl.**  
USPC ..... **D8/68**  
(58) **Field of Classification Search**  
USPC ..... D8/61, 67, 68  
CPC .... B62D 23/005; B62D 29/00; B62D 29/043;  
B62D 31/00; B62D 33/046; B62D 35/00;  
B62D 35/001; B60Q 1/0005  
See application file for complete search history.

(56) **References Cited**  
U.S. PATENT DOCUMENTS  
D332,736 S \* 1/1993 Mikiya ..... D8/68  
D378,891 S \* 4/1997 Sung ..... D8/68  
D396,620 S \* 8/1998 Sung ..... D8/68  
D446,434 S \* 8/2001 Ashbaugh ..... D8/68  
6,827,156 B1 \* 12/2004 Hsiao ..... B25D 17/245  
173/168  
D509,119 S \* 9/2005 Schiller ..... D8/68

D608,176 S \* 1/2010 Heidelberger ..... D8/68  
D619,438 S \* 7/2010 Lee ..... D8/68  
8,240,394 B2 \* 8/2012 Kobayashi ..... B25D 9/18  
173/162.1  
D775,505 S \* 1/2017 Koeniger ..... D8/68  
2010/0258609 A1 \* 10/2010 Lee ..... B25C 1/143  
227/10

\* cited by examiner

*Primary Examiner* — Darlington Ly  
(74) *Attorney, Agent, or Firm* — Che-Yang Chen; Law Offices of Scott Warmuth

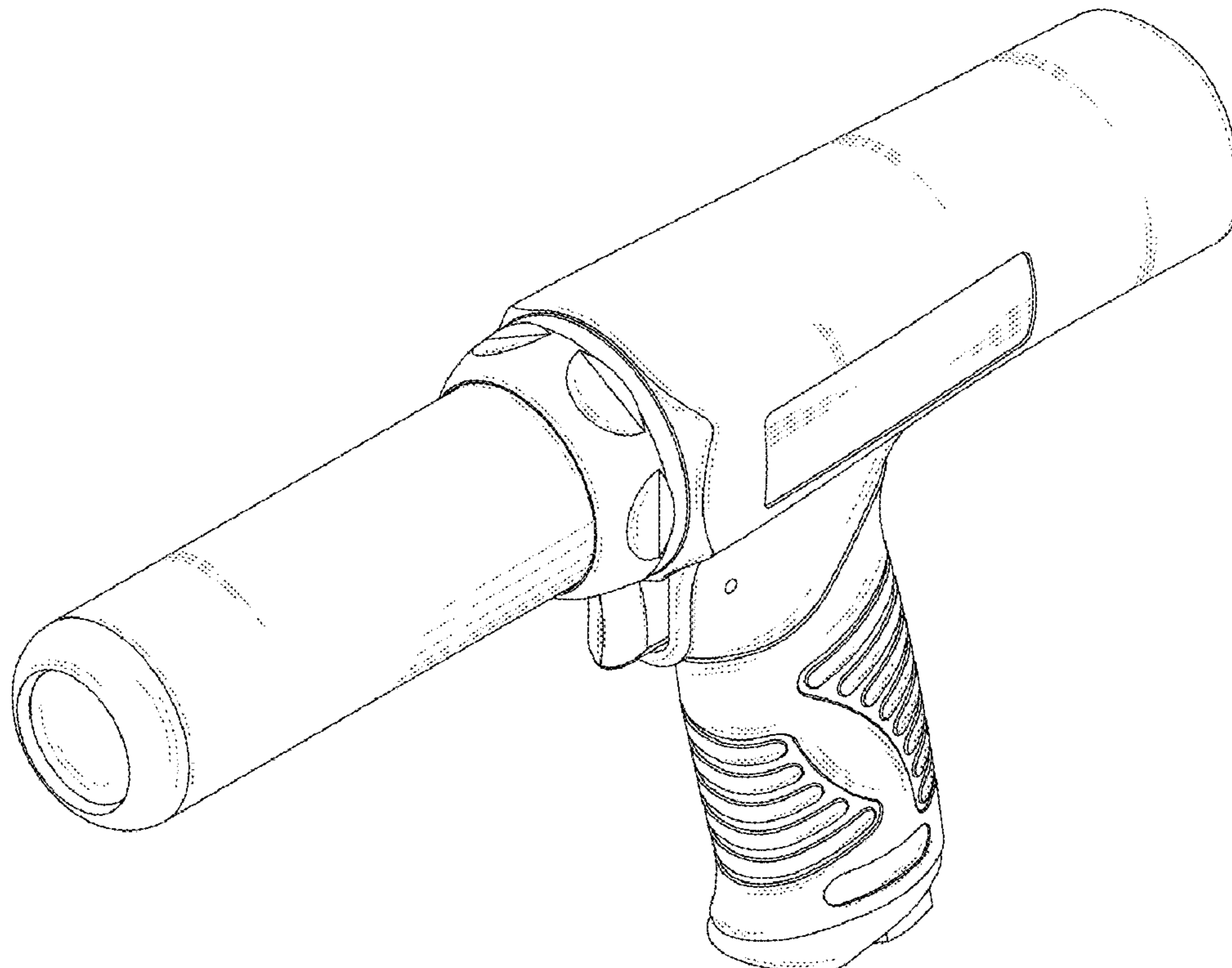
(57) **CLAIM**

The ornamental design for an air hammer, as shown and described.

**DESCRIPTION**

FIG. 1 is a perspective view of an air hammer showing my new design;  
FIG. 2 is a left side elevational view thereof;  
FIG. 3 is a right side elevational view thereof;  
FIG. 4 is a front elevational view thereof;  
FIG. 5 is a rear elevational view thereof;  
FIG. 6 is a top plan view thereof;  
FIG. 7 is a bottom plan view thereof; and,  
FIG. 8 is a perspective view thereof when in use.  
The broken circles shown in FIG. 4 and the broken lines shown in FIG. 8 are provided for the purpose of illustrating environmental structure and forms no part of the claimed design.

**1 Claim, 8 Drawing Sheets**



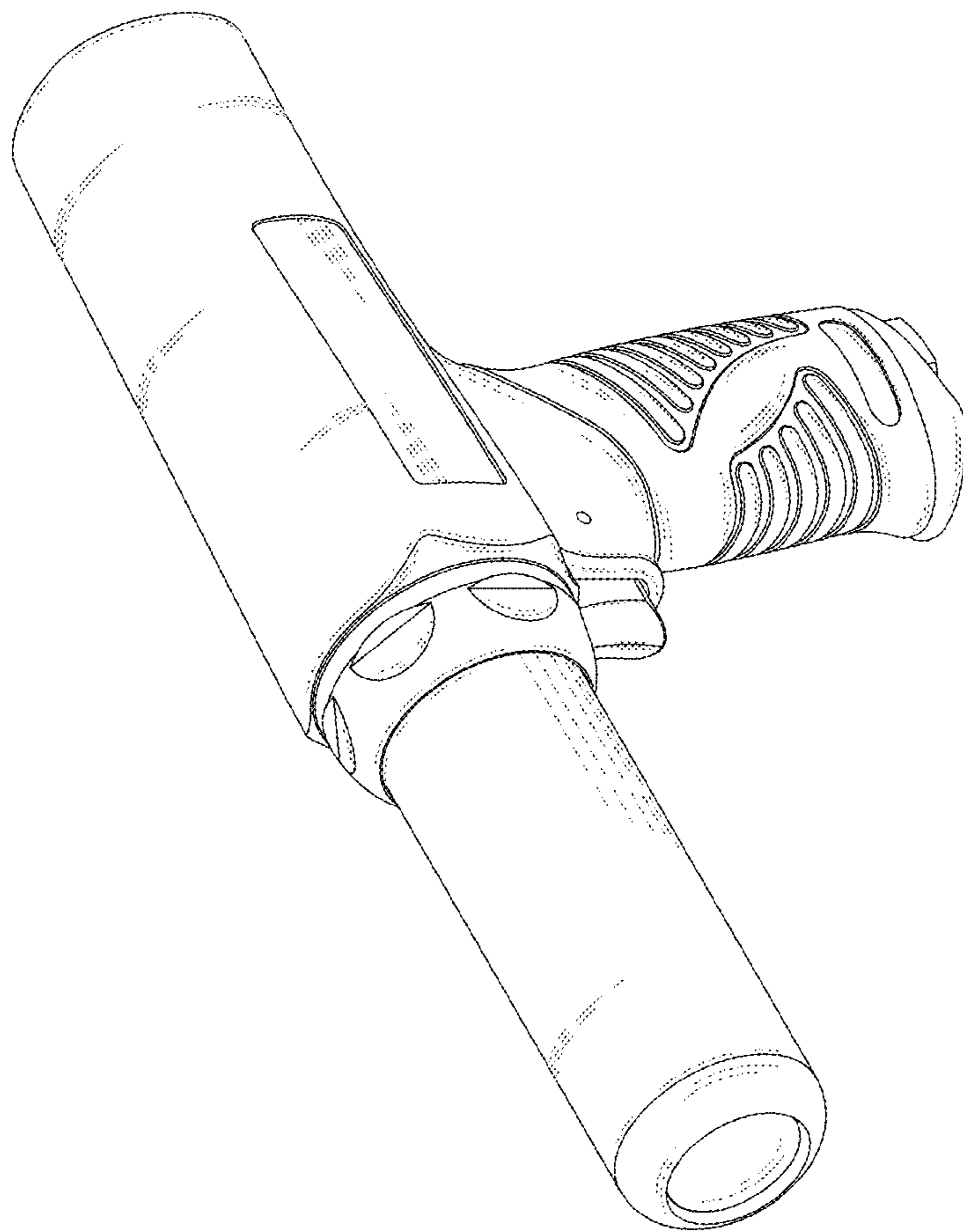


FIG. 1

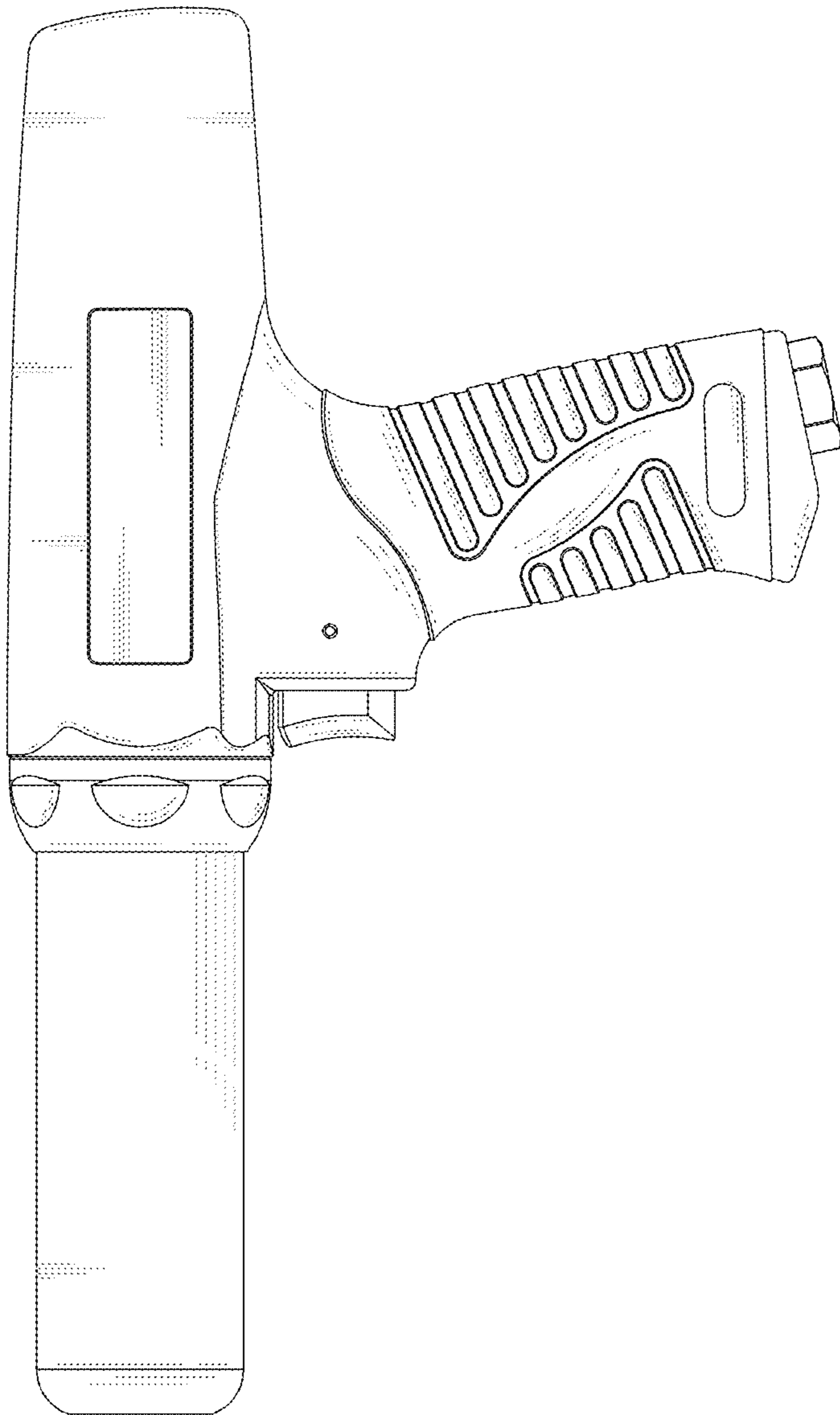


FIG. 2

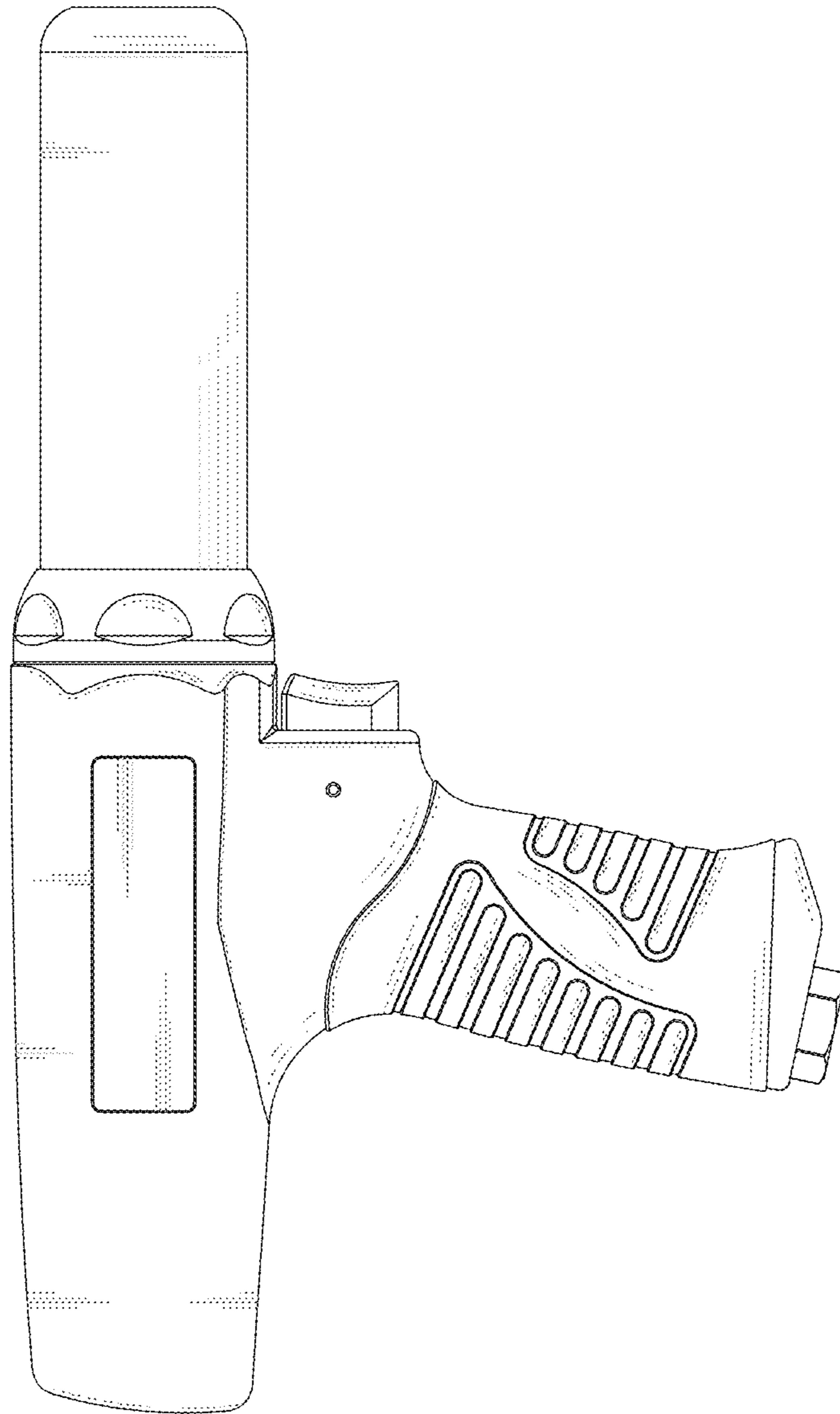


FIG. 3

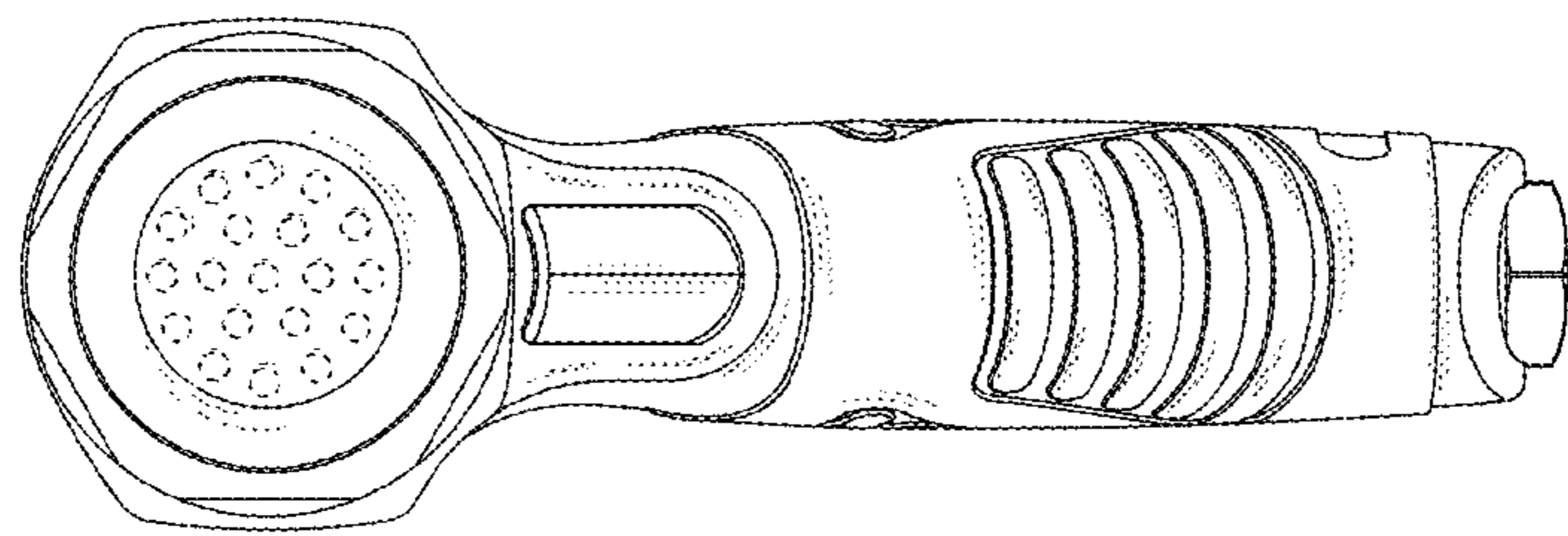


FIG. 4

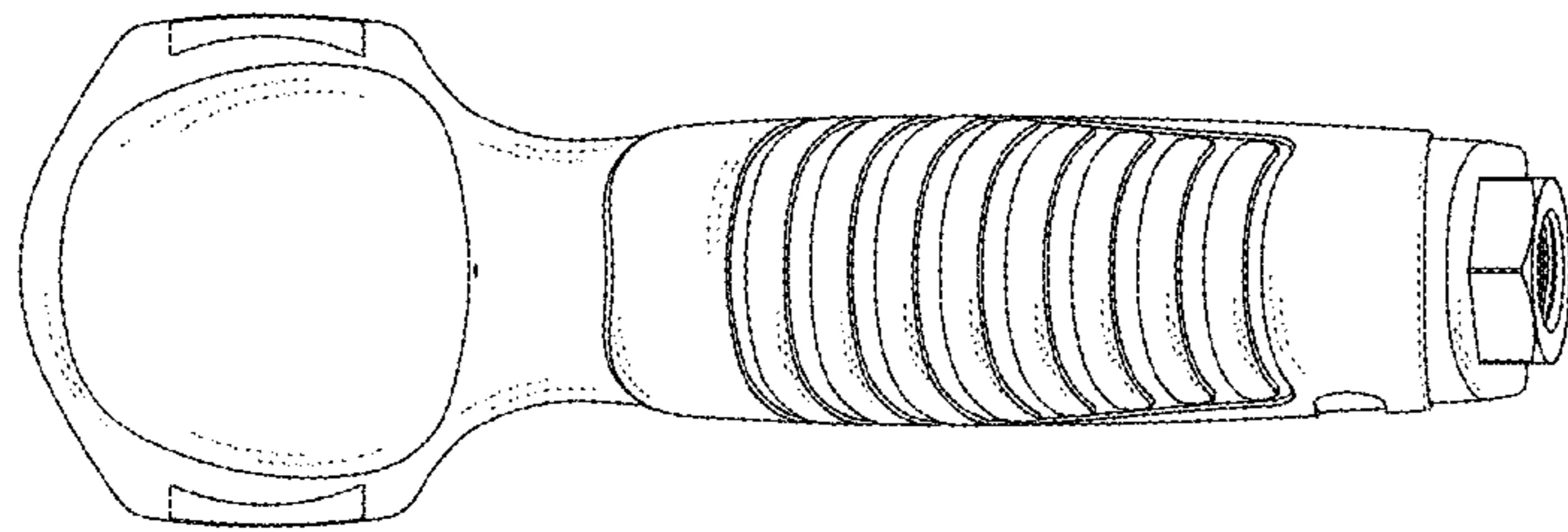


FIG. 5

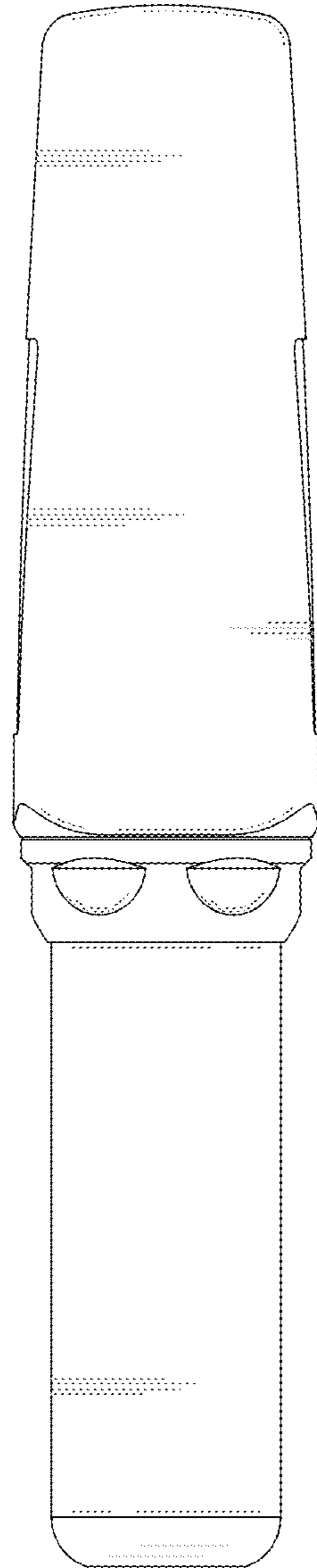


FIG. 6



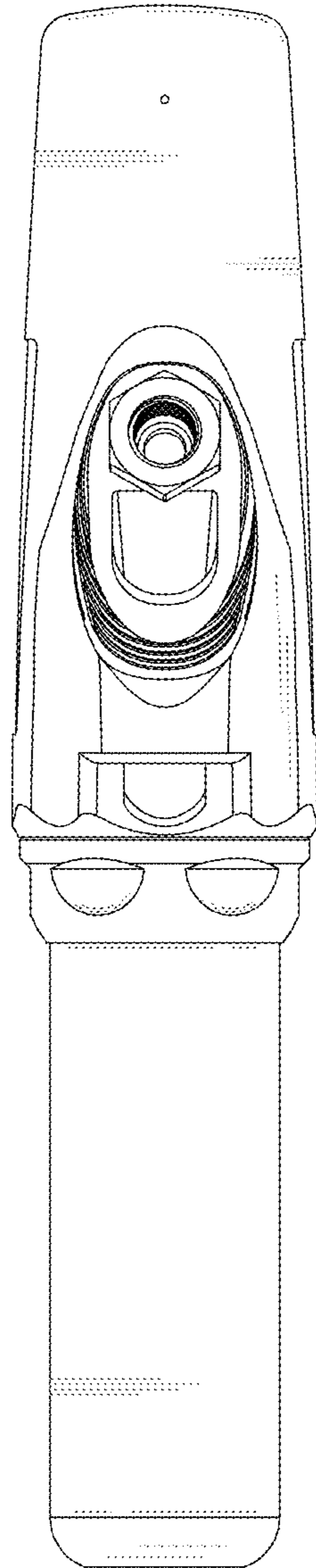


FIG. 7



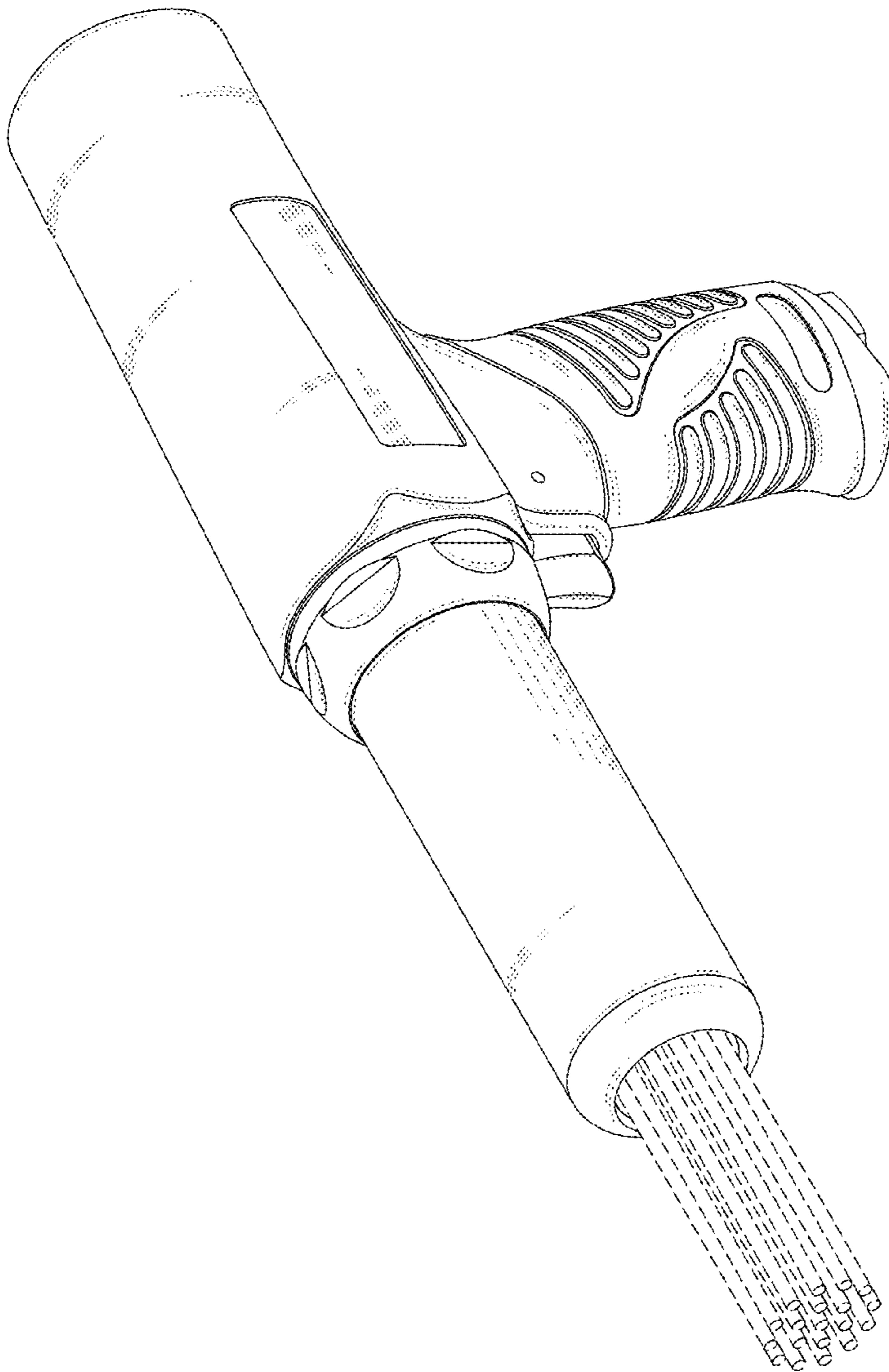


FIG. 8