



US00D86927S

(12) **United States Design Patent** (10) **Patent No.:** **US D869,927 S**
Waldron (45) **Date of Patent:** **** Dec. 17, 2019**

(54) **SCREW DRIVER**
(71) Applicant: **NINE HKG Limited**, Wachai (HK)
(72) Inventor: **Michael Waldron**, Dunnington (GB)
(73) Assignee: **NINE HKG Limited**, Wachai (HK)
(**) Term: **15 Years**
(21) Appl. No.: **29/621,867**
(22) Filed: **Oct. 12, 2017**
(51) **LOC (12) Cl.** **08-05**
(52) **U.S. Cl.**
USPC **D8/68**
(58) **Field of Classification Search**
USPC D8/61, 67, 68
CPC . B21J 15/043; B21J 15/22; B21J 15/36; B21J
15/326
See application file for complete search history.

D576,854 S * 9/2008 Aglassinger D8/68
D580,726 S * 11/2008 Murray D8/68
D605,486 S * 12/2009 Aglassinger D8/68
D605,487 S * 12/2009 Aglassinger D8/68
D605,488 S * 12/2009 Aglassinger D8/68
D605,489 S * 12/2009 Aglassinger D8/68
D609,543 S * 2/2010 Misaki D8/68
D650,652 S * 12/2011 Aglassinger D8/68
8,267,192 B2 * 9/2012 Lopano B25F 5/02
173/168
D676,730 S * 2/2013 Kubono D8/68
D700,820 S * 3/2014 Cooper D8/68
D705,630 S * 5/2014 Patel D8/68
D725,980 S * 4/2015 Tirone D8/68
D739,200 S * 9/2015 Elder D8/68
D753,976 S * 4/2016 Kalinowski D8/68
D779,903 S * 2/2017 Koeniger D8/68
2011/0011610 A1 * 1/2011 Welke B25B 21/00
173/217

* cited by examiner

Primary Examiner — Darlington Ly
(74) *Attorney, Agent, or Firm* — Woodard, Emhardt,
Henry, Reeves & Wagner, LLP

(56) **References Cited**
U.S. PATENT DOCUMENTS

D411,947 S * 7/1999 Sugimoto D8/61
D514,910 S * 2/2006 Nagasaka D8/68
D516,889 S * 3/2006 Aglassinger D8/68
D517,885 S * 3/2006 Corcoran D8/68
D533,421 S * 12/2006 Aglassinger D8/68
D536,944 S * 2/2007 Tsai D8/68
D539,109 S * 3/2007 Aglassinger D8/68
D541,611 S * 5/2007 Aglassinger D8/68
D545,159 S * 6/2007 Schoen D8/68
D547,154 S * 7/2007 Lee D8/68
D547,631 S * 7/2007 Schmid D8/68
D547,632 S * 7/2007 Lee D8/68
D549,061 S * 8/2007 Schmid D8/68
D550,052 S * 9/2007 Lee D8/68
D562,097 S * 2/2008 Baxter D8/68
D576,006 S * 9/2008 Houghton D8/68

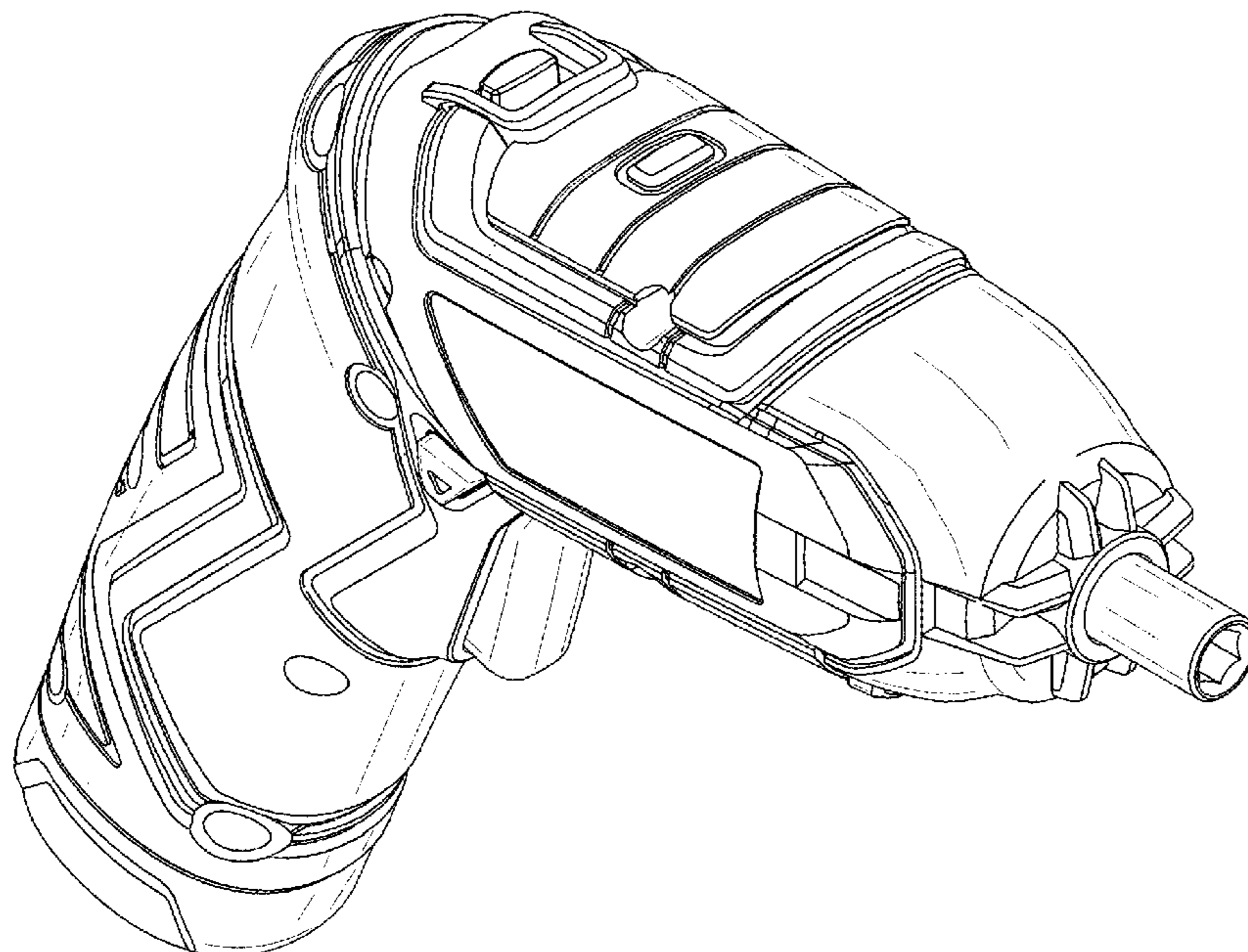
(57) **CLAIM**

The ornamental design for a screw driver, as shown and described.

DESCRIPTION

FIG. 1 is a top, front, and left side perspective view of a screw driver showing my new design; FIG. 2 is a left side elevation view thereof; FIG. 3 is a right side elevation view thereof; FIG. 4 is a front elevation view thereof; FIG. 5 is a rear elevation view thereof; FIG. 6 is a top plan view thereof; and, FIG. 7 is a bottom plan view thereof.

1 Claim, 3 Drawing Sheets



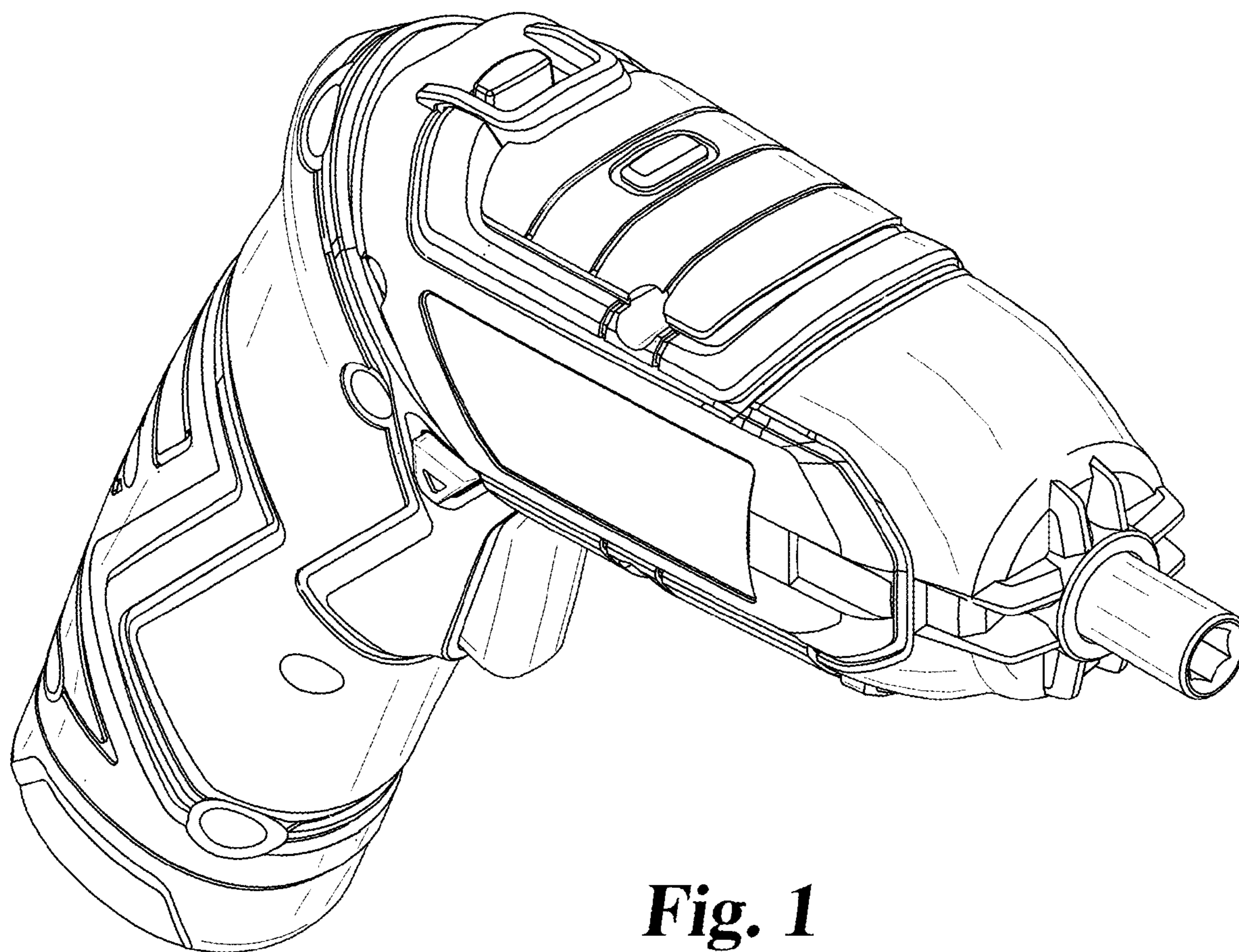


Fig. 1

Fig. 2

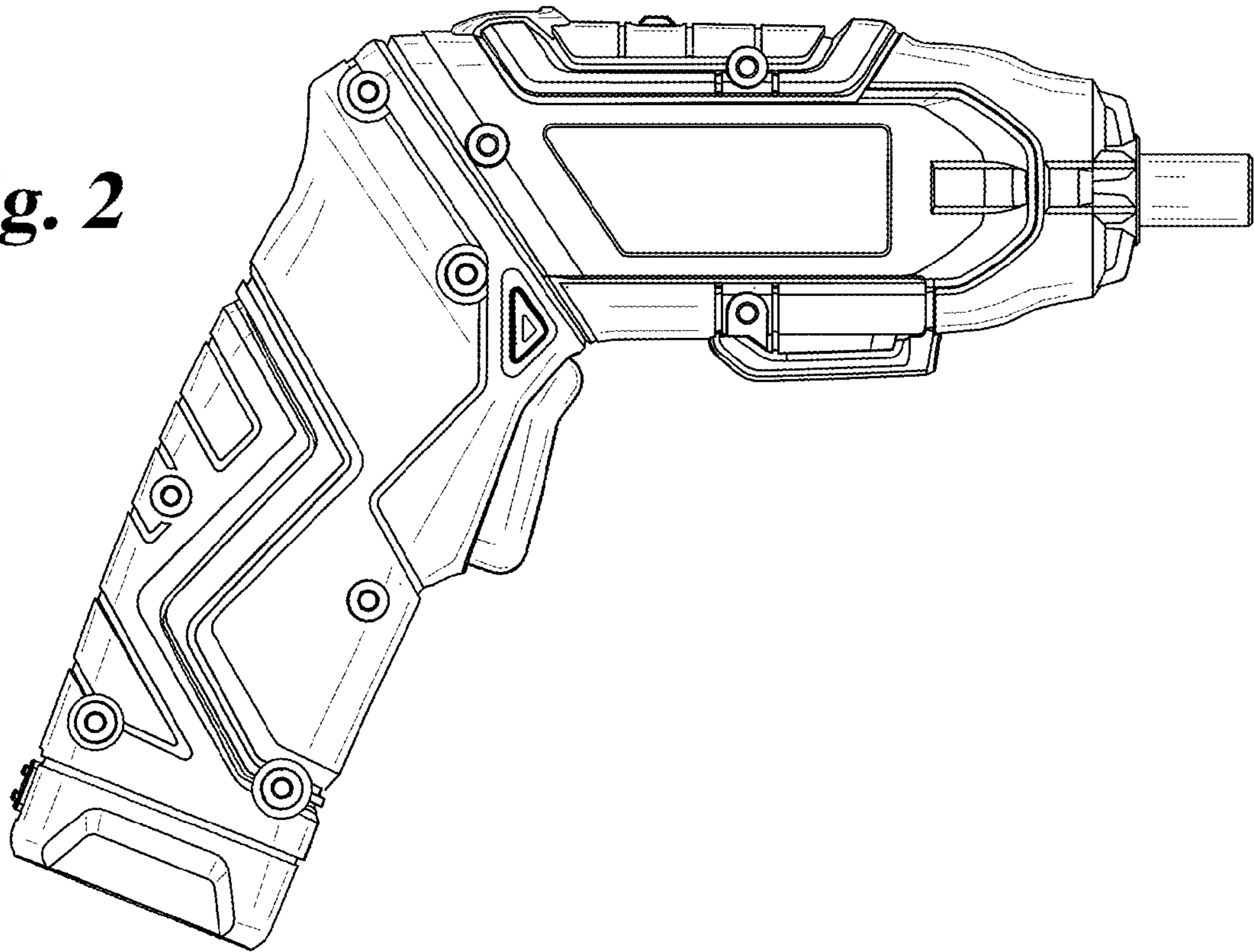


Fig. 3

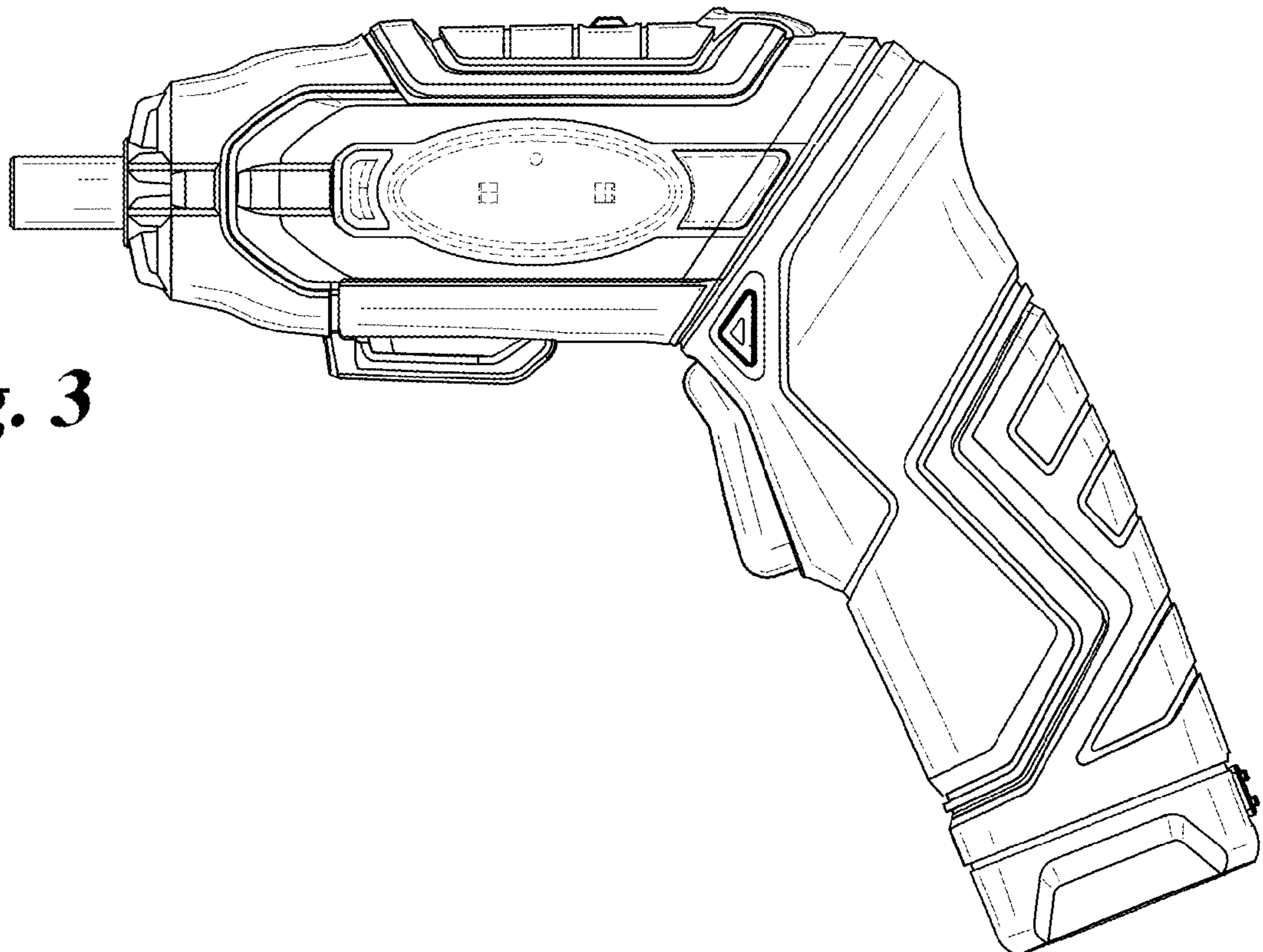


Fig. 4

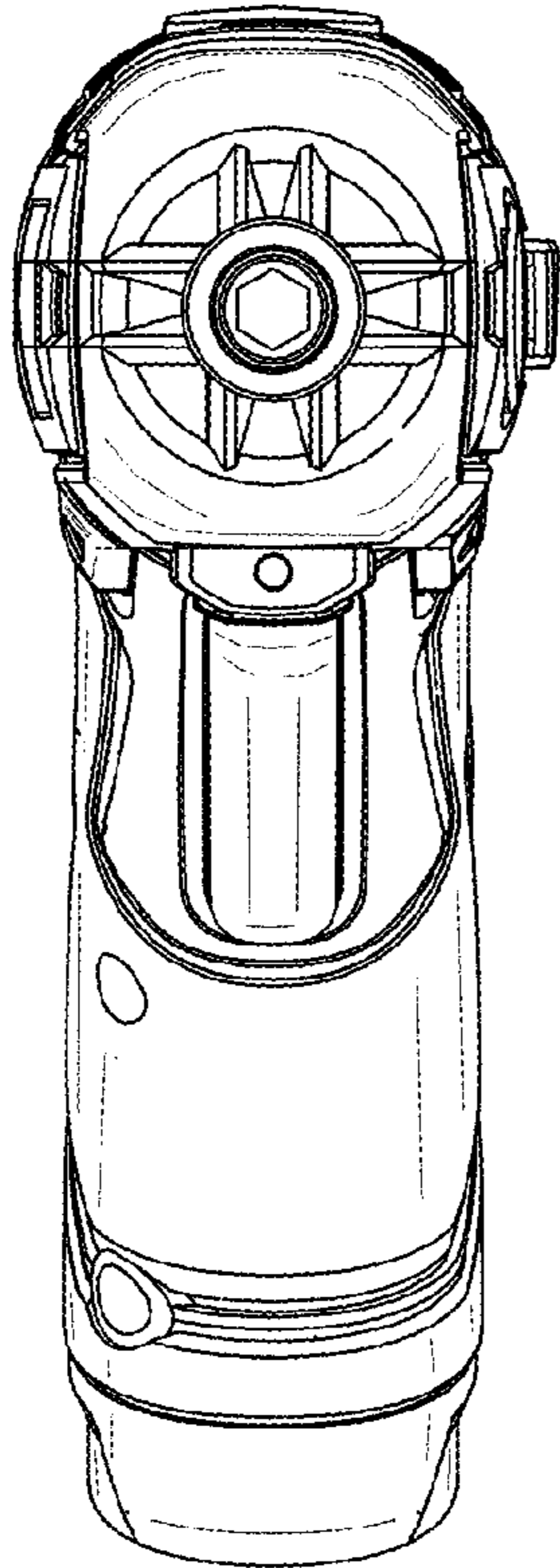


Fig. 5

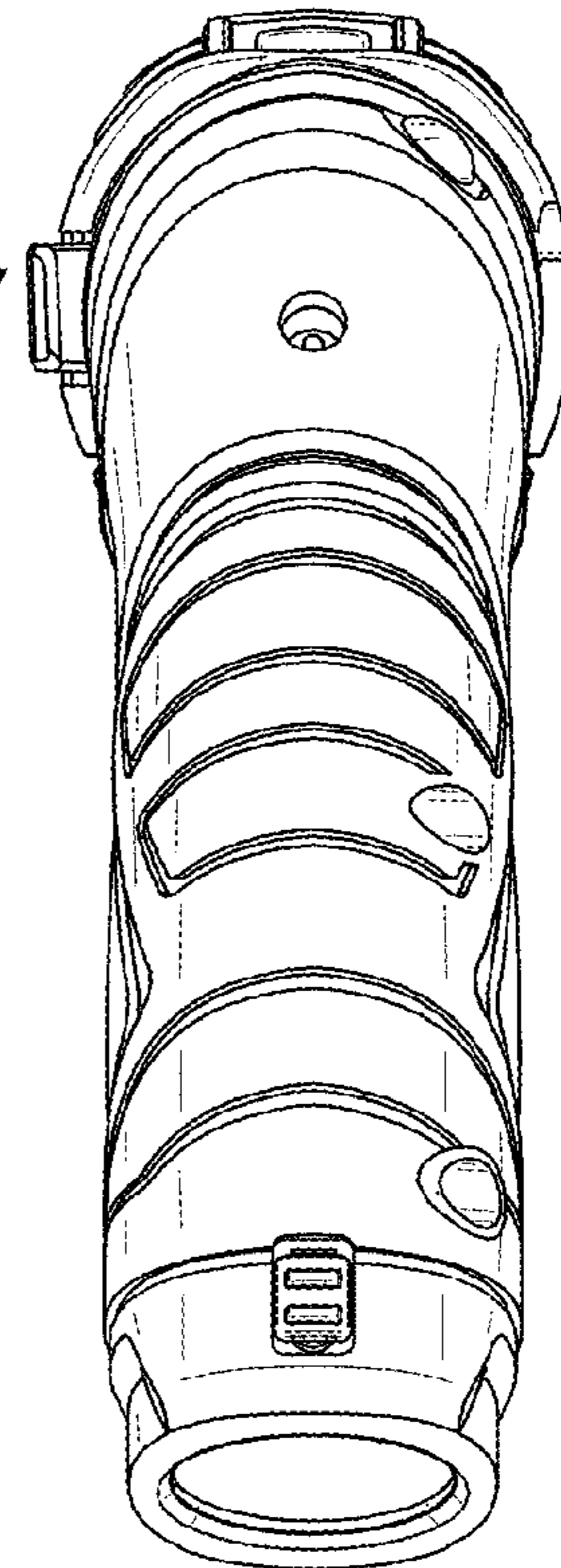


Fig. 6

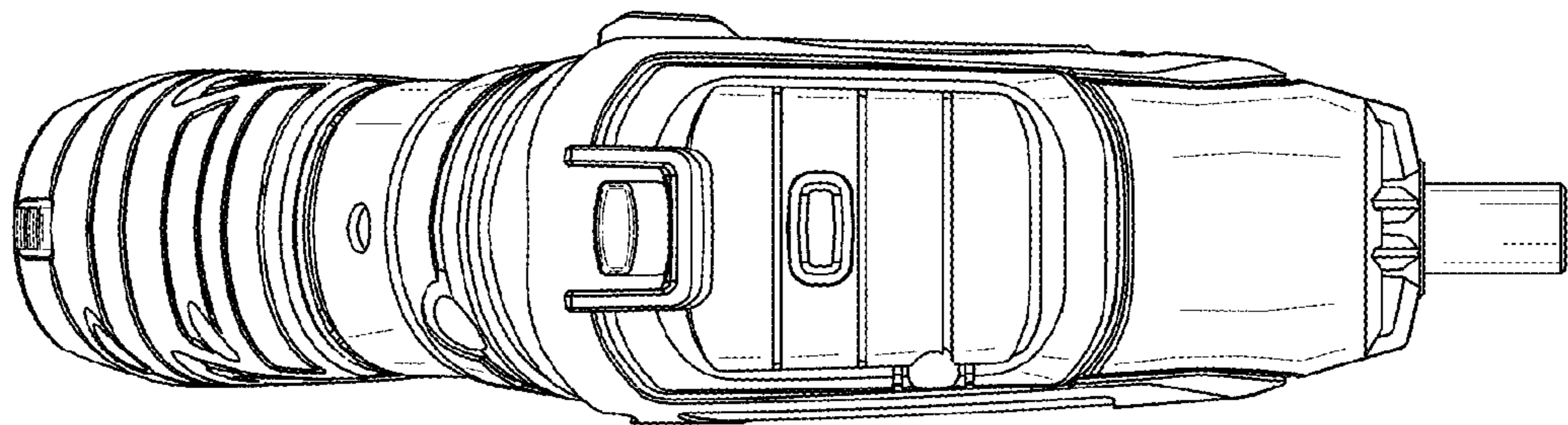


Fig. 7

