



US00D869926S

(12) **United States Design Patent** (10) **Patent No.:** **US D869,926 S**
Waldron (45) **Date of Patent:** **** Dec. 17, 2019**

(54) **POWER DRILL**
(71) Applicant: **NINE HKG Limited**, Wachai (HK)
(72) Inventor: **Michael Waldron**, Dunnington (GB)
(73) Assignee: **NINE HKG Limited**, Wachai (HK)
(**) Term: **15 Years**
(21) Appl. No.: **29/621,864**
(22) Filed: **Oct. 12, 2017**
(51) **LOC (12) Cl.** **08-05**
(52) **U.S. Cl.**
USPC **D8/68**
(58) **Field of Classification Search**
USPC D8/61, 67, 68
CPC B62D 23/005; B62D 29/00; B62D 29/043;
B62D 31/00; B62D 33/046; B62D 35/00;
B62D 35/001; B60Q 1/0005
See application file for complete search history.

D628,454 S * 12/2010 Misaki D8/68
D642,037 S * 7/2011 Miller D8/68
D646,947 S * 10/2011 Lopano D8/68
D670,989 S * 11/2012 Kawase D8/61
D675,500 S * 2/2013 Taniguchi D8/68
D678,025 S * 3/2013 Naksen D8/68
D678,744 S * 3/2013 Aoki D8/68
D679,161 S * 4/2013 Kawase D8/61
D684,028 S * 6/2013 Costoli 173/90
D685,245 S * 7/2013 Tirone D8/68
D700,821 S * 3/2014 Tschopp D8/68
D708,496 S * 7/2014 Zhou D8/68
2015/0041164 A1 * 2/2015 Sergyeyenko B25B 21/008
173/1

* cited by examiner

Primary Examiner — Darlington Ly
(74) *Attorney, Agent, or Firm* — Woodard, Emhardt,
Henry, Reeves & Wagner, LLP

(57) **CLAIM**

The ornamental design for a power drill, as shown and described.

(56) **References Cited**

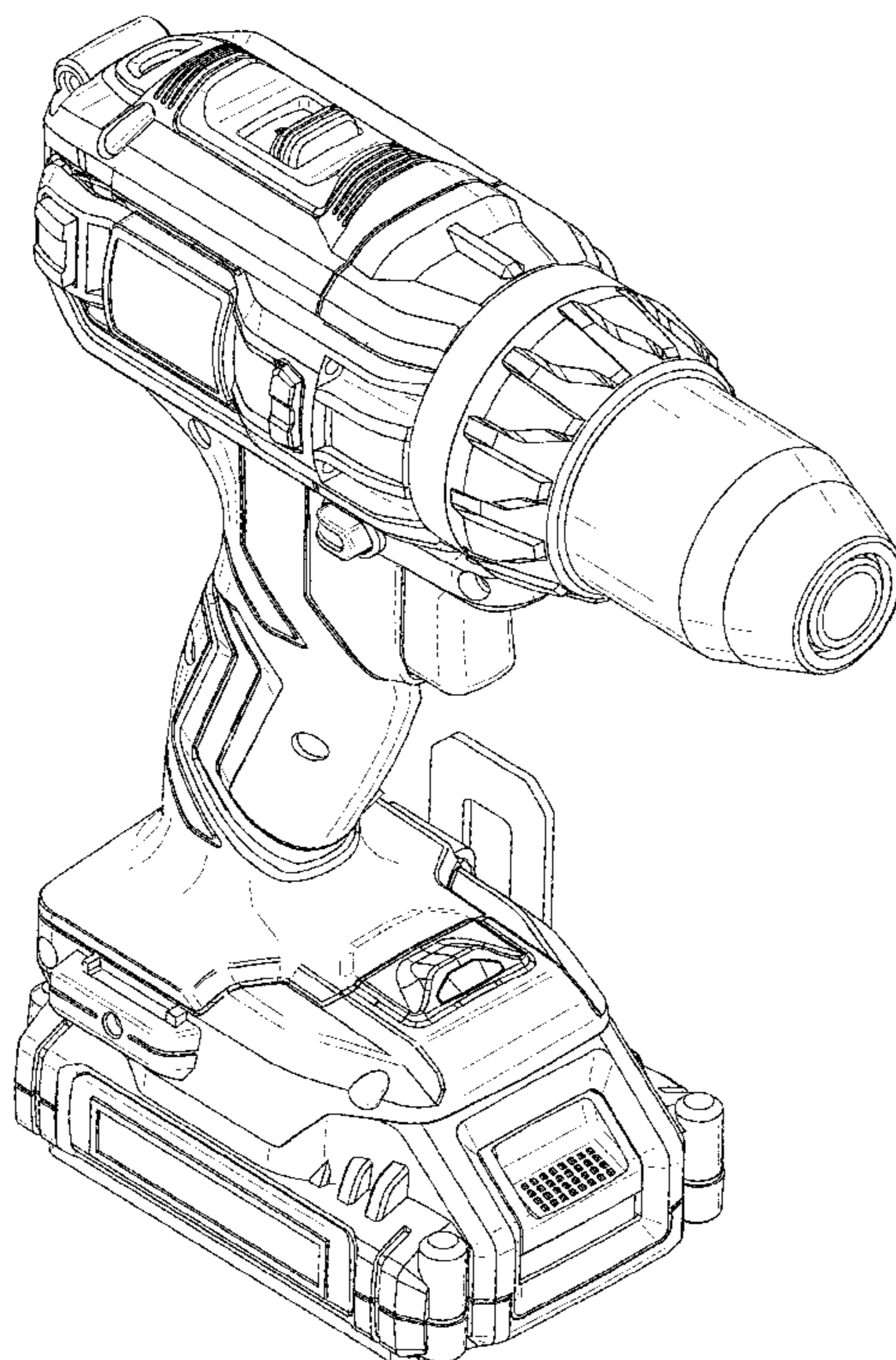
U.S. PATENT DOCUMENTS

D466,777 S * 12/2002 Watson D8/68
D466,779 S * 12/2002 Shibata D8/68
D466,781 S * 12/2002 Matsuoka D8/68
D508,643 S * 8/2005 Concari D8/68
D515,377 S * 2/2006 Chung D8/68
D525,848 S * 8/2006 Kokawa D8/68
D527,971 S * 9/2006 Kokawa D8/68
D536,944 S * 2/2007 Tsai D8/68
D556,002 S * 11/2007 Ino D8/68
D574,688 S * 8/2008 Yamamoto D8/68

DESCRIPTION

FIG. 1 is top, front, and left side perspective view of a power drill showing my new design;
FIG. 2 is a right side elevation view thereof;
FIG. 3 is a left side elevation view thereof;
FIG. 4 is a front elevation view thereof;
FIG. 5 is a rear elevation view thereof;
FIG. 6 is a top plan view thereof; and,
FIG. 7 is a bottom plan view thereof.

1 Claim, 5 Drawing Sheets



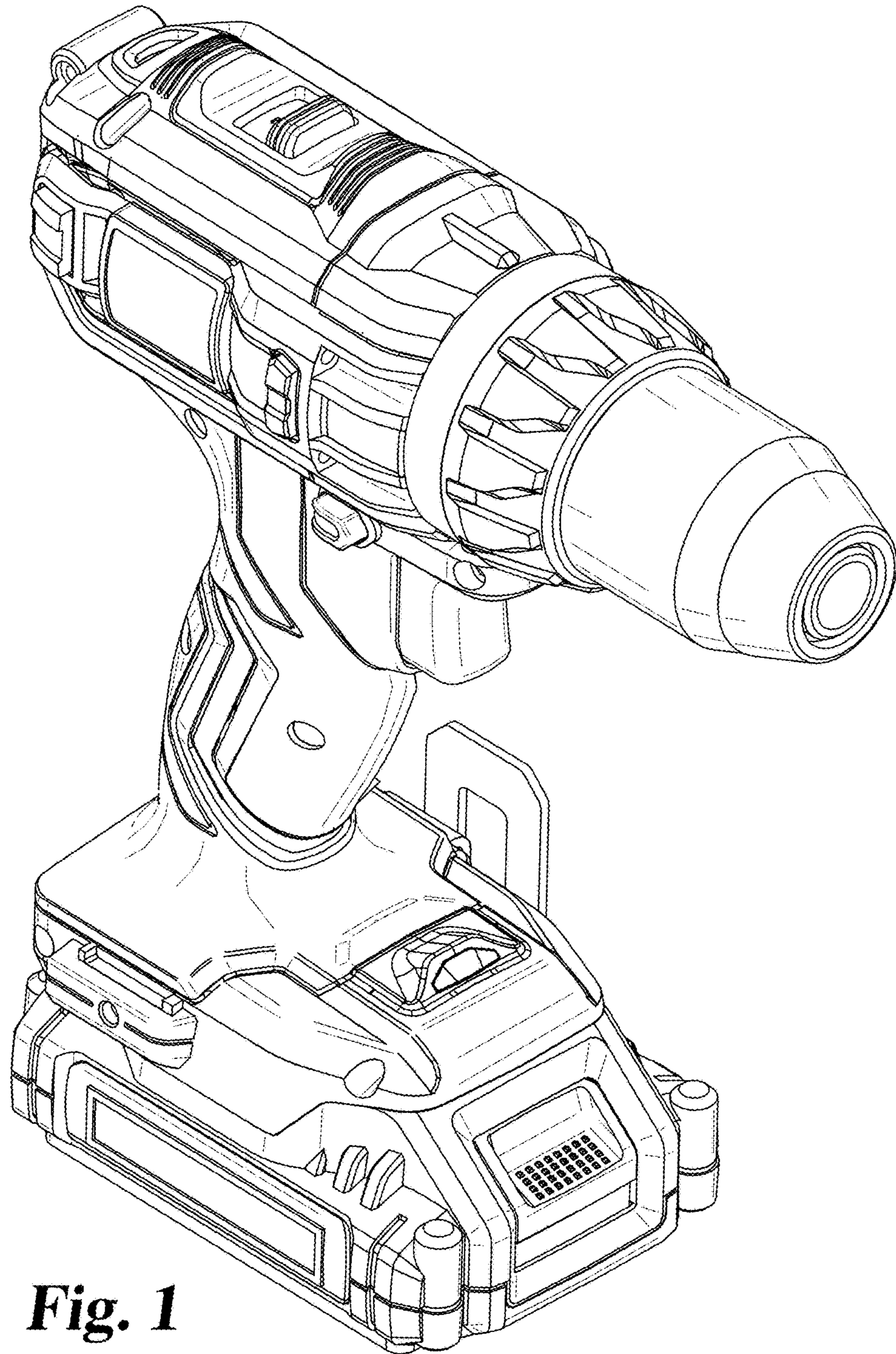


Fig. 1

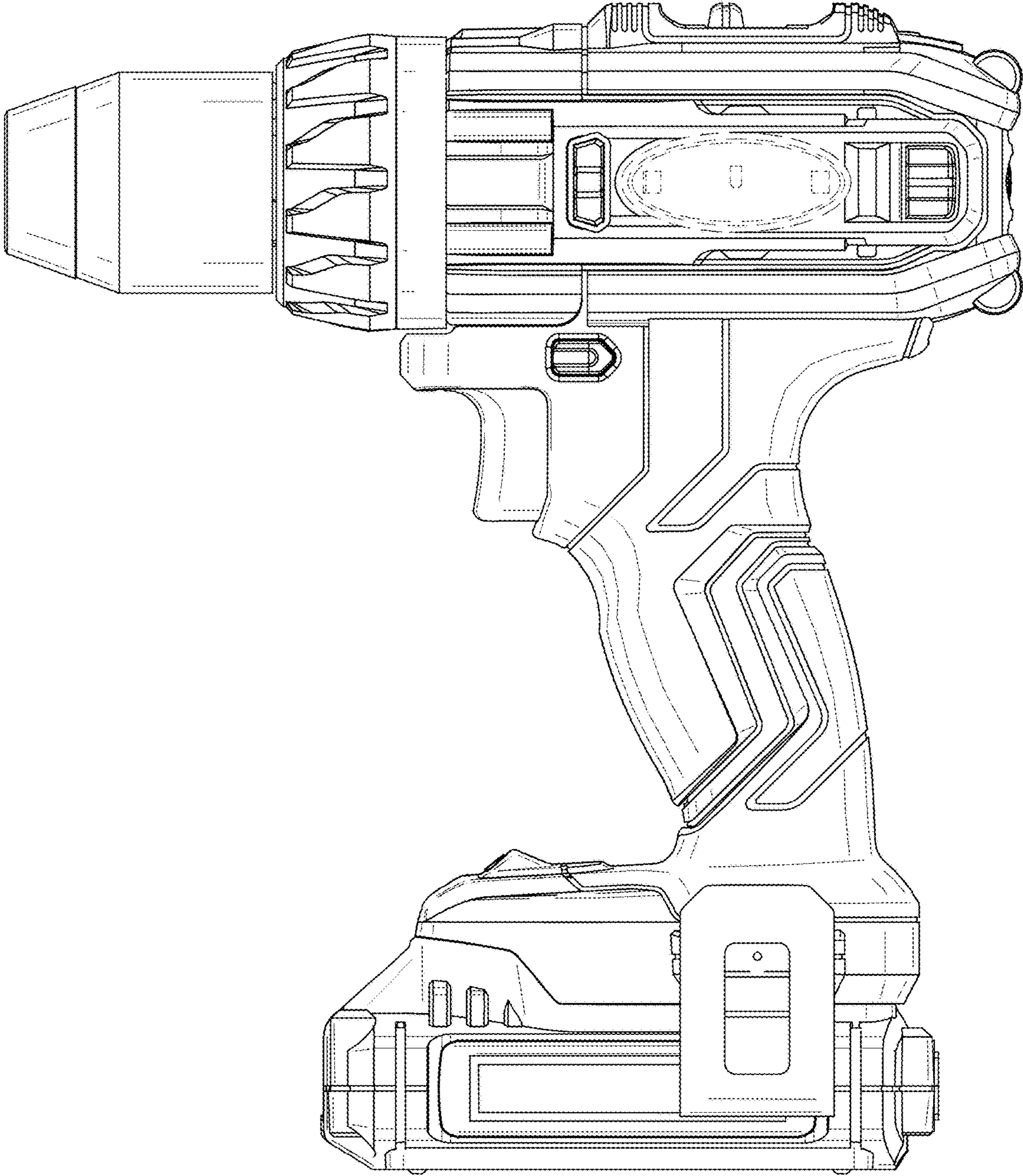


Fig. 2

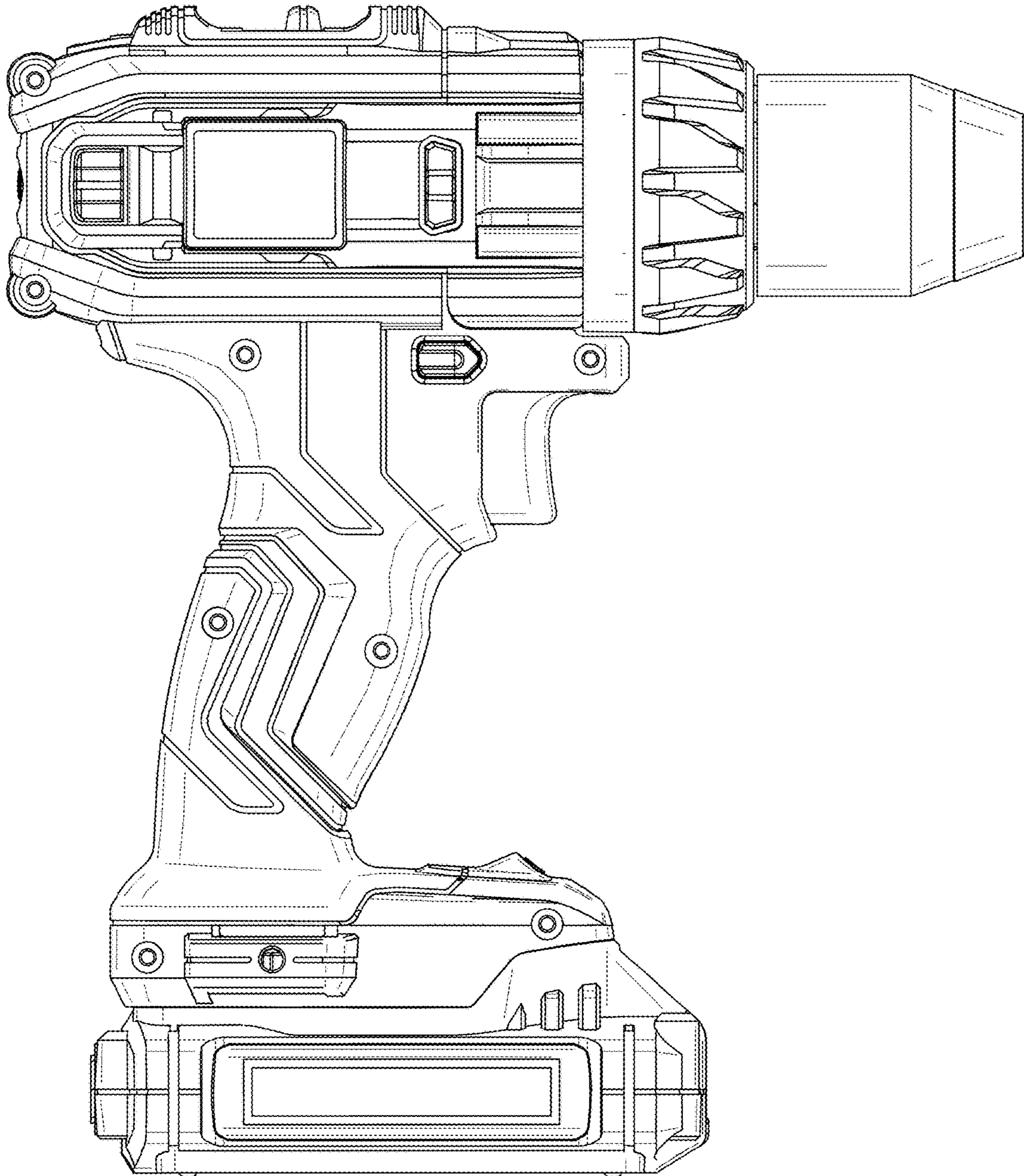


Fig. 3

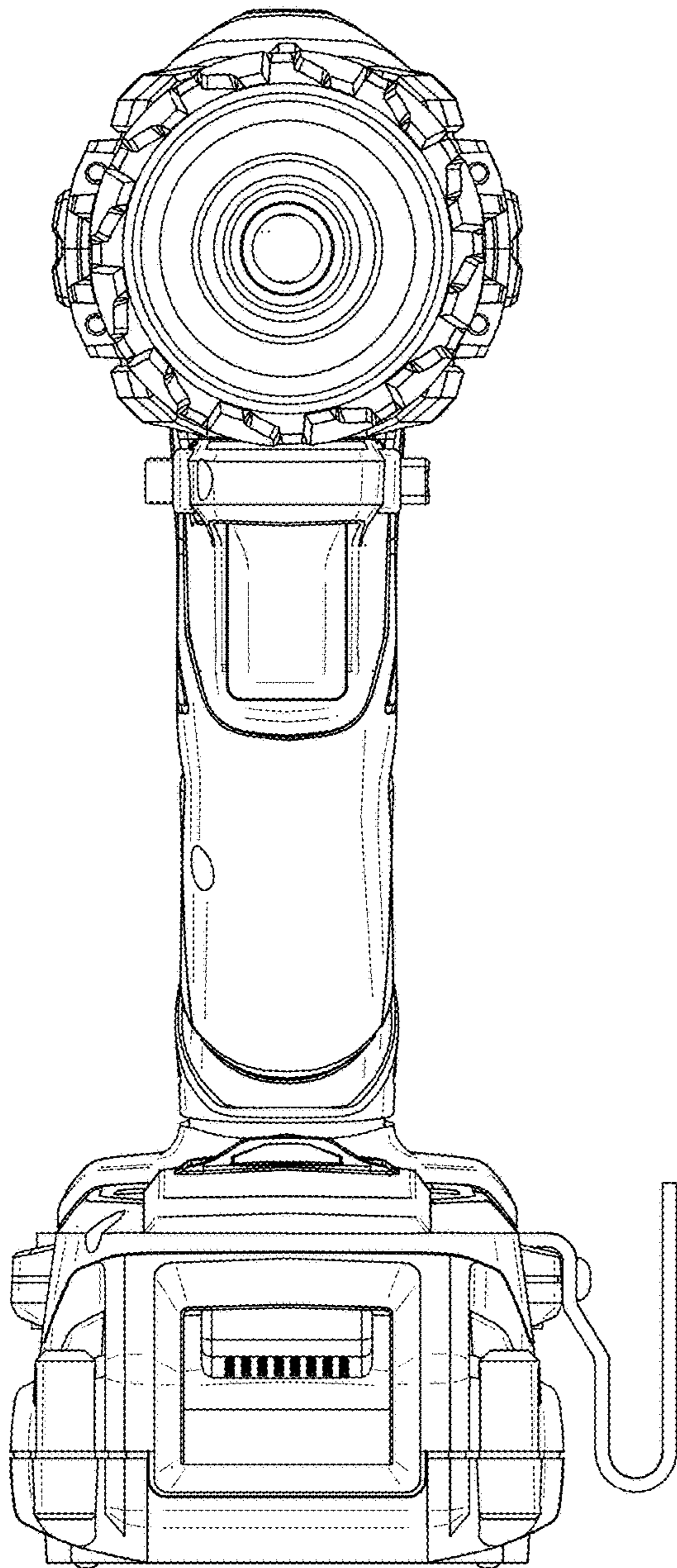


Fig. 4

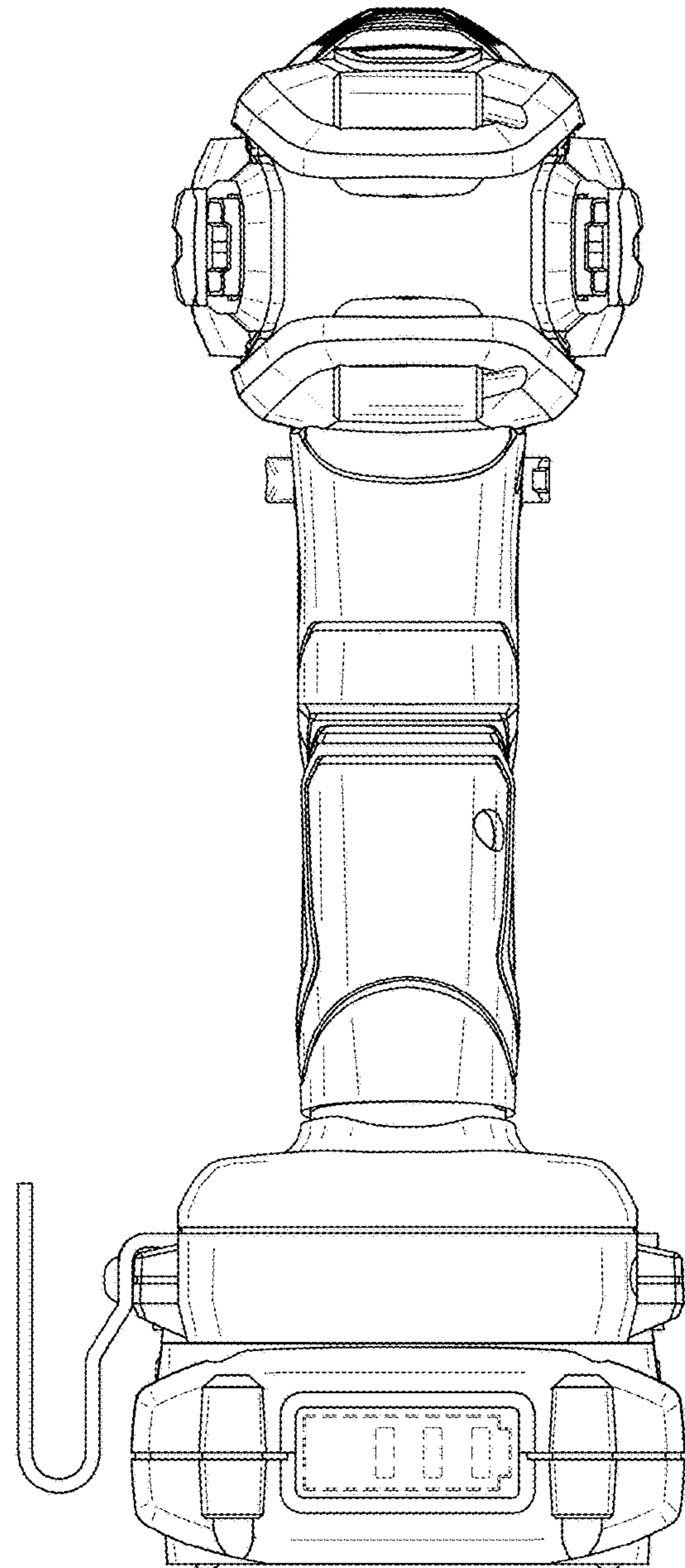


Fig. 5

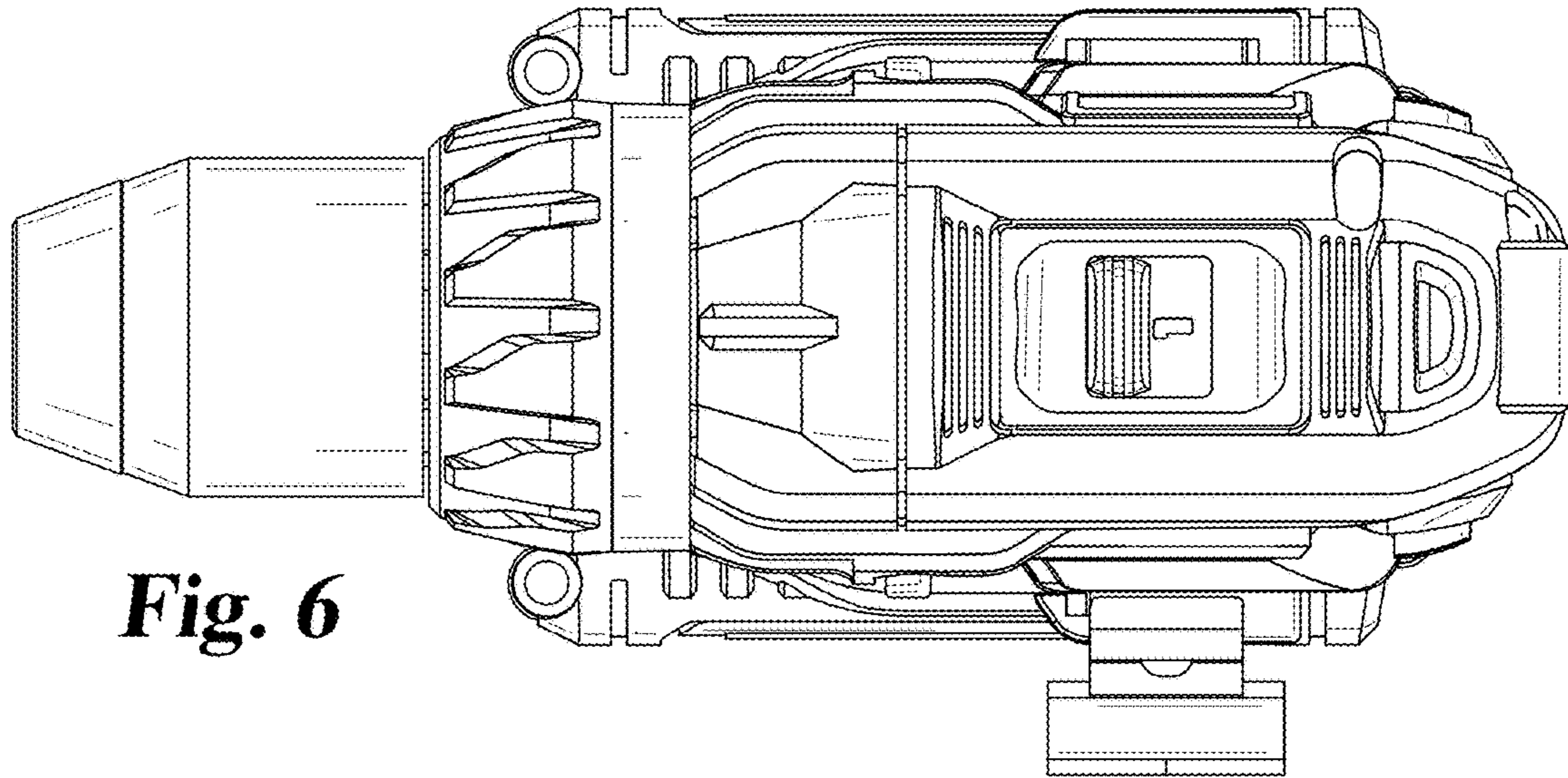


Fig. 6

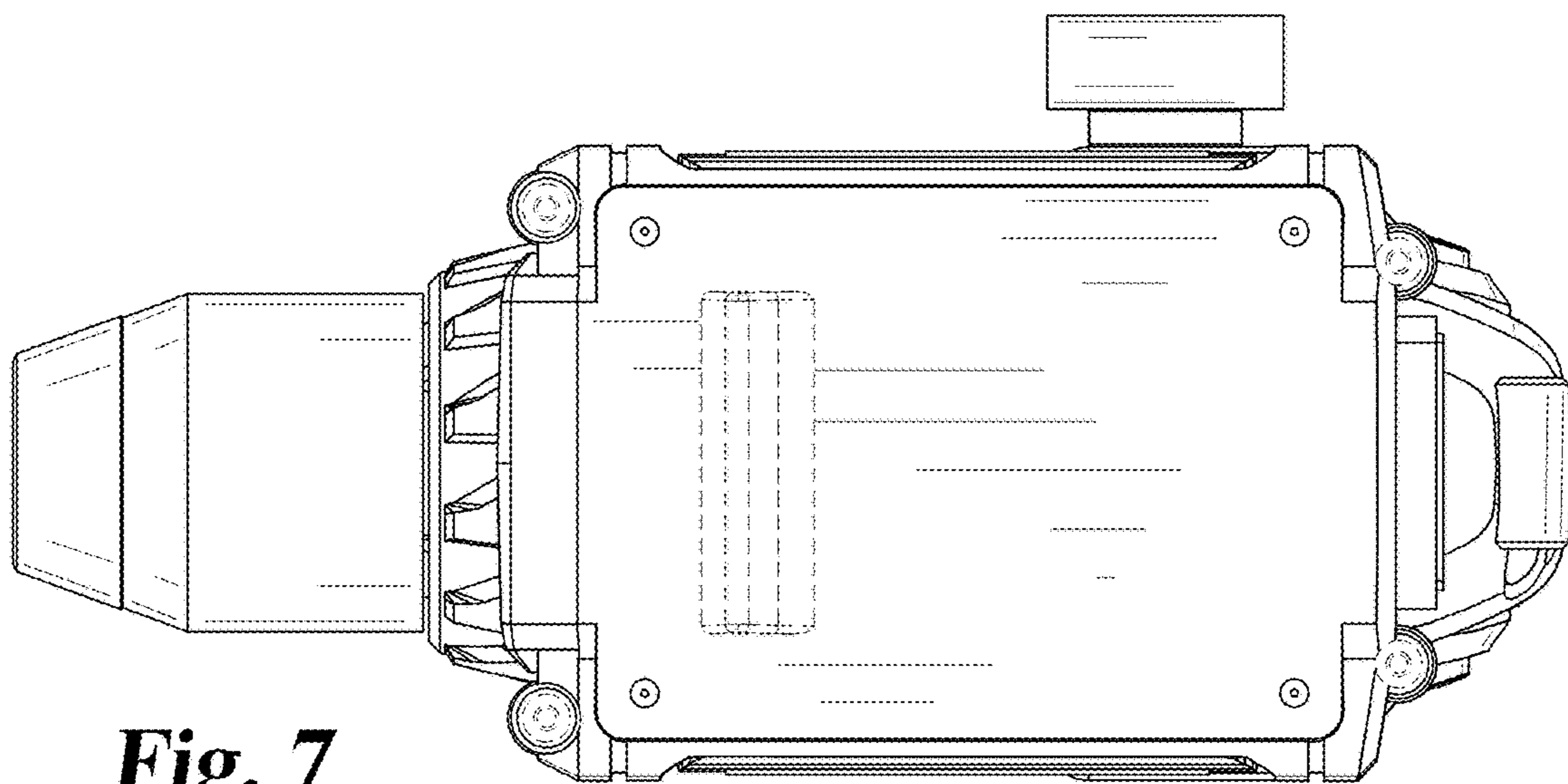


Fig. 7