



US00D86925S

(12) **United States Design Patent**
Thompson

(10) **Patent No.:** **US D869,925 S**

(45) **Date of Patent:** **** Dec. 17, 2019**

(54) **POWER TOOL**

(71) Applicant: **BLACK & DECKER INC.**, New Britain, CT (US)

(72) Inventor: **Samuel P. Thompson**, Newcastle Upon Tyne (GB)

(73) Assignee: **BLACK & DECKER INC.**, New Britain, CT (US)

(**) Term: **15 Years**

(21) Appl. No.: **29/659,820**

(22) Filed: **Aug. 13, 2018**

(51) **LOC (12) Cl.** **08-01**

(52) **U.S. Cl.**
USPC **D8/62**

(58) **Field of Classification Search**
USPC D8/61, 62; D32/15, 17, 19; D14/102;
451/456, 451, 359, 358, 357, 356, 355,
451/354, 353, 351, 344
CPC B27C 1/10; B27C 1/14; B27G 17/025;
B27G 17/02
See application file for complete search history.

(56) **References Cited**

U.S. PATENT DOCUMENTS

D592,025 S * 5/2009 Snowball D8/62
D598,261 S * 8/2009 Waldron D8/62

D601,874 S * 10/2009 Hayakawa D8/62
D603,673 S * 11/2009 Netzler D8/62
D607,291 S * 1/2010 Rosenau D8/62
D637,879 S * 5/2011 Kawase D8/62
D648,609 S * 11/2011 Refson D8/62
D683,604 S * 6/2013 Shi D8/62
D742,709 S * 11/2015 Aglassinger D8/62
D743,225 S * 11/2015 Aglassinger D8/62

* cited by examiner

Primary Examiner — Austin Murphy

(74) *Attorney, Agent, or Firm* — Adan Ayala

(57) **CLAIM**

The ornamental design for a power tool, as shown and described.

DESCRIPTION

FIG. 1 is a front perspective view of a power tool according to the invention.

FIG. 2 is a front view of the power tool of FIG. 1.

FIG. 3 is a rear view of the power tool of FIG. 1.

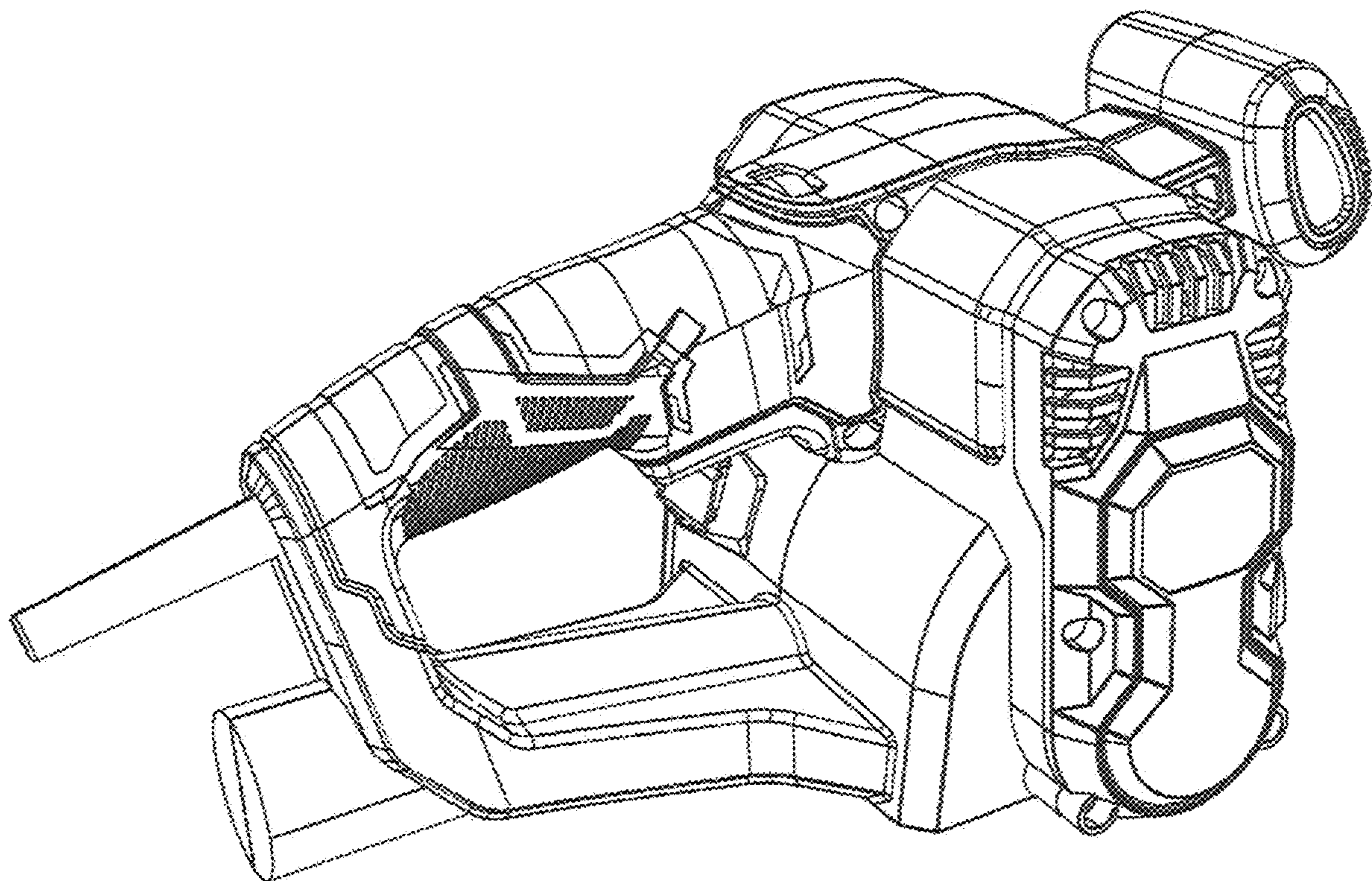
FIG. 4 is a left side view of the power tool of FIG. 1.

FIG. 5 is a right side view of the power tool of FIG. 1.

FIG. 6 is a top plan view of the power tool of FIG. 1; and,

FIG. 7 is a bottom plan view of the power tool of FIG. 1.

1 Claim, 7 Drawing Sheets



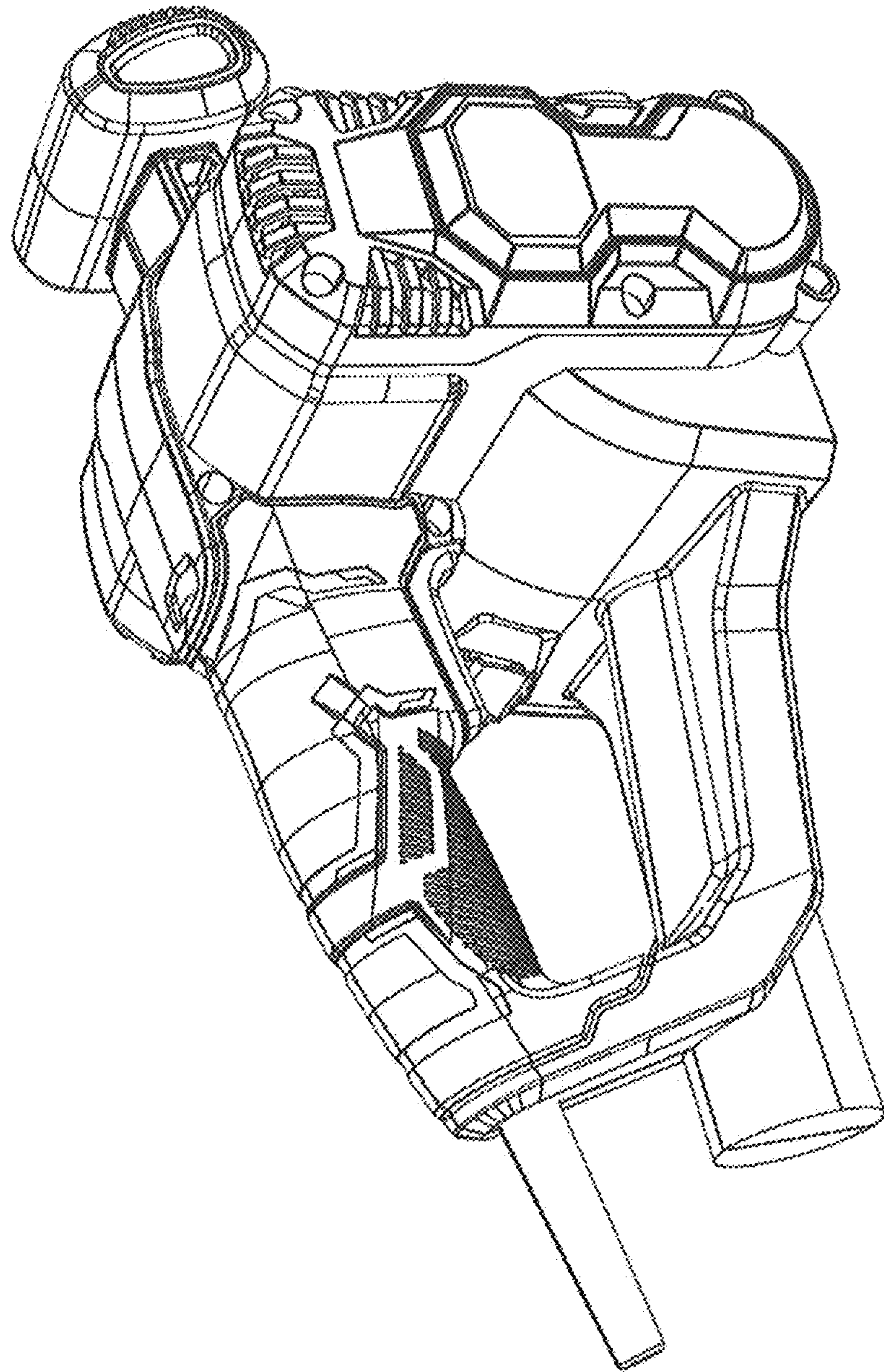


FIG. 1

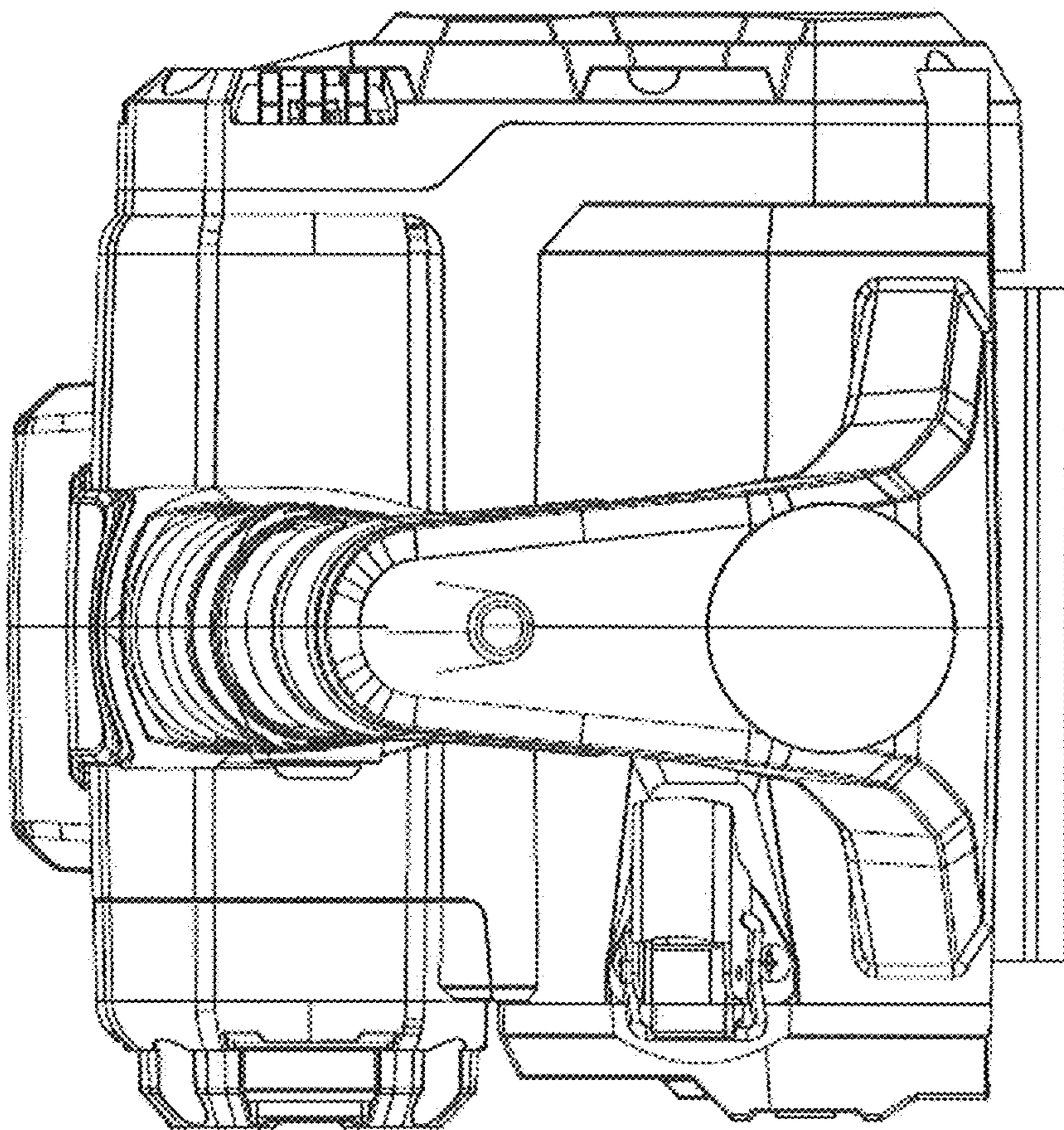


FIG. 2

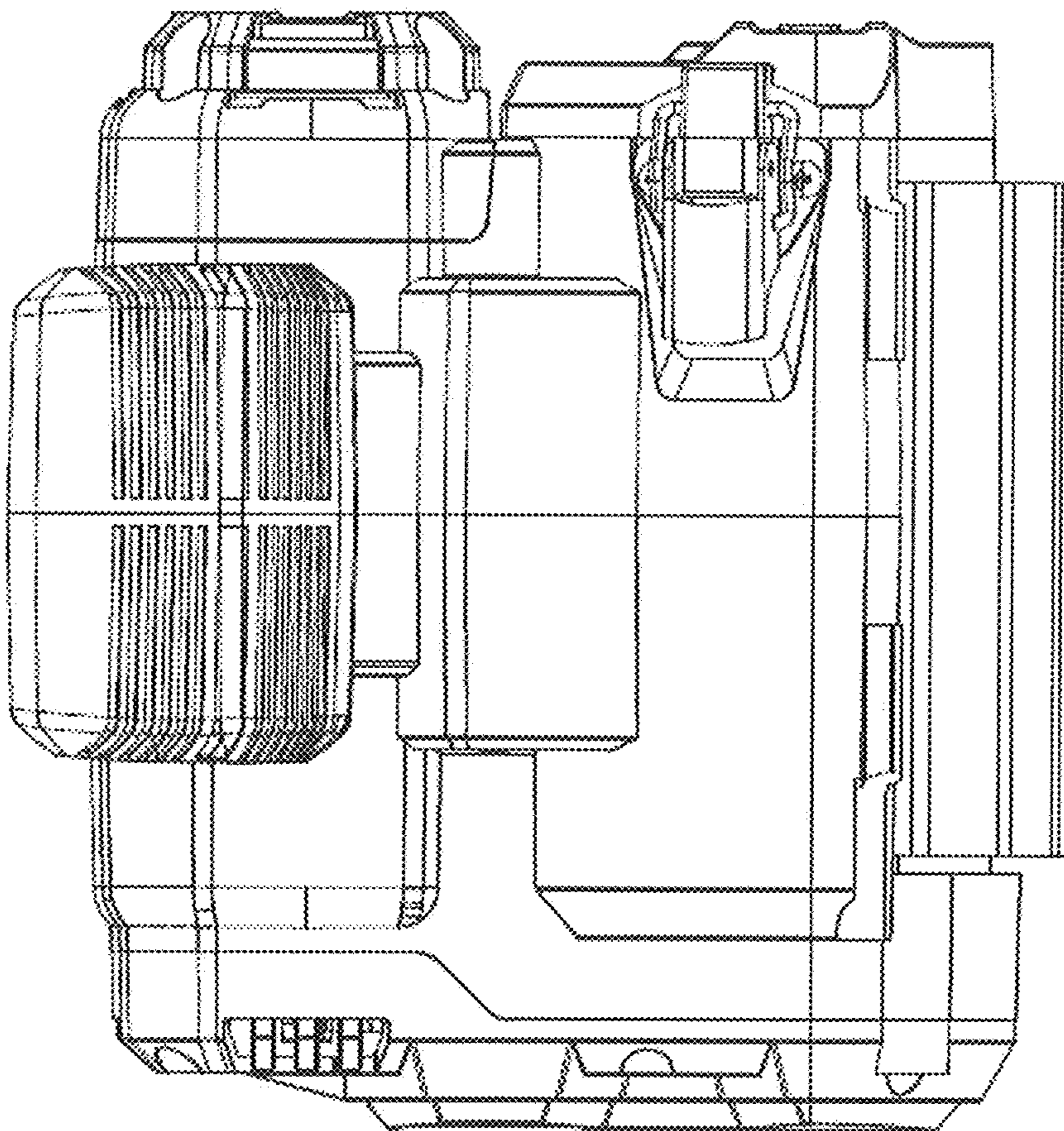


FIG. 3

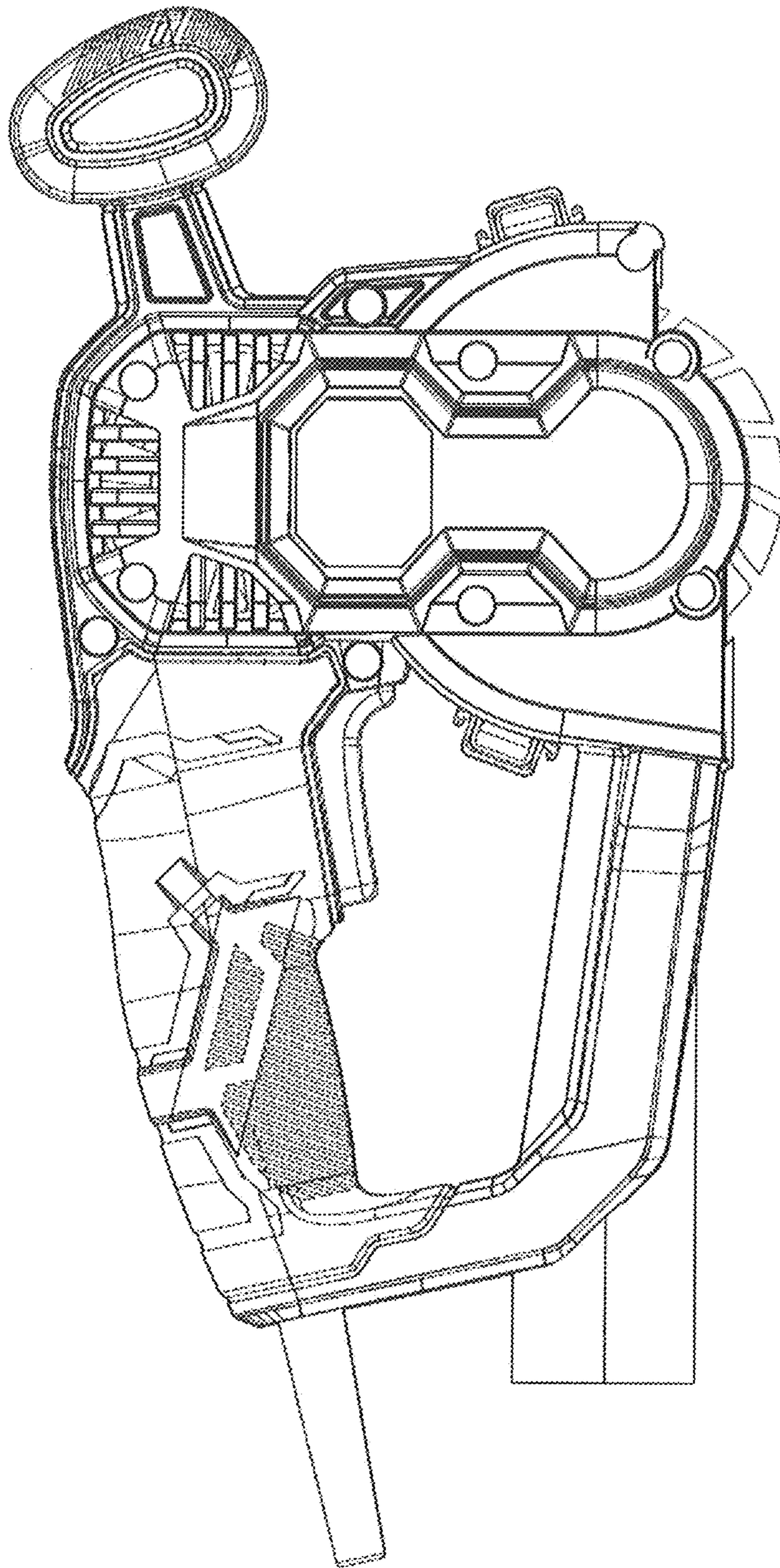


FIG. 4

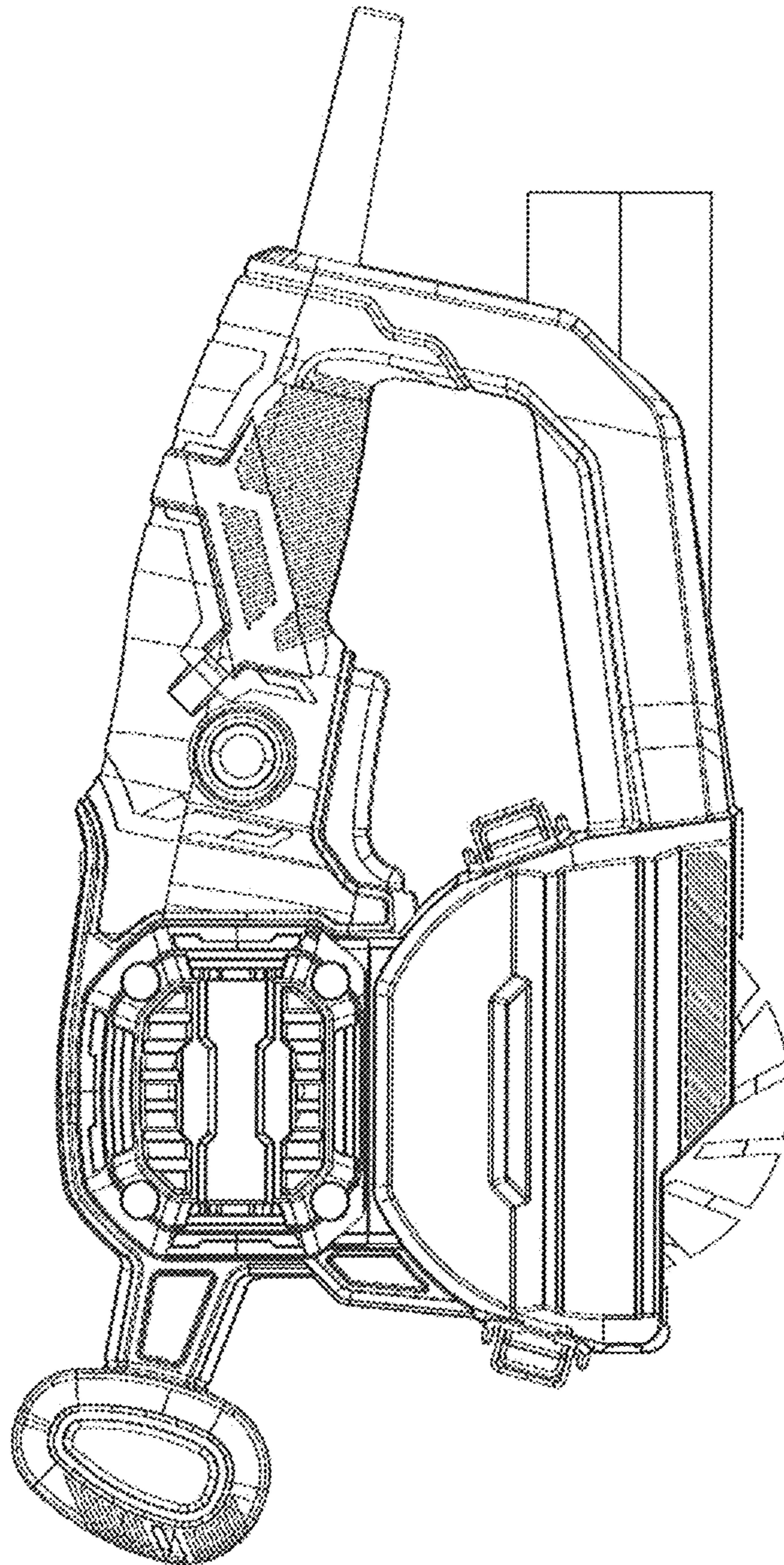


FIG. 5

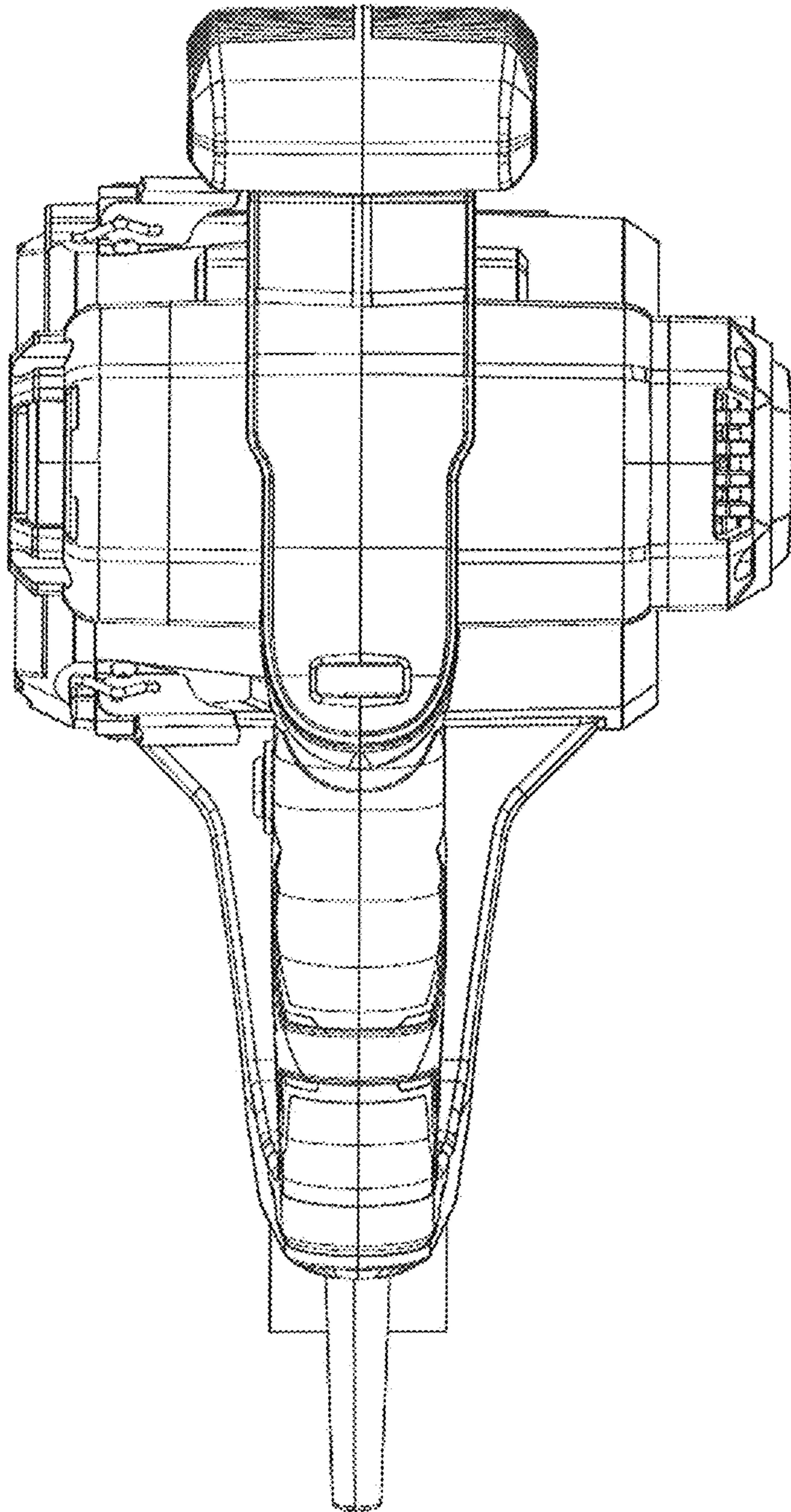


FIG. 6

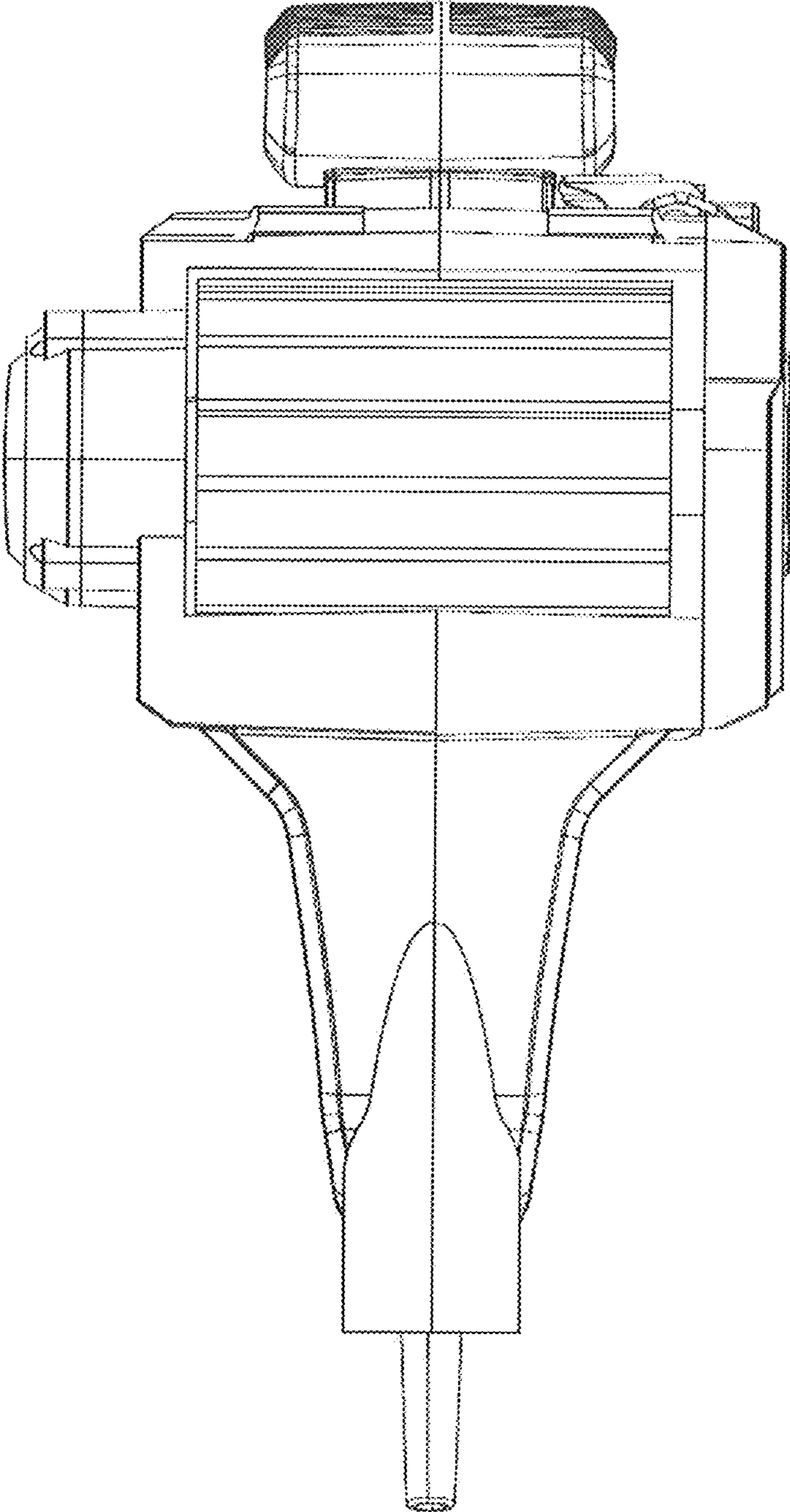


FIG. 7