



US00D869924S

(12) **United States Design Patent**
Sugihara et al.

(10) **Patent No.:** **US D869,924 S**

(45) **Date of Patent:** **** Dec. 17, 2019**

(54) **CONTAINER FOR STAPLE FRAGMENT**

(71) Applicant: **MAX CO., LTD.**, Tokyo (JP)

(72) Inventors: **Shinpei Sugihara**, Tokyo (JP); **Toshio Shimizu**, Tokyo (JP); **Futoshi Kameda**, Tokyo (JP)

(73) Assignee: **MAX CO., LTD.**, Tokyo (JP)

(**) Term: **15 Years**

(21) Appl. No.: **29/667,725**

(22) Filed: **Oct. 24, 2018**

(30) **Foreign Application Priority Data**

Apr. 26, 2018 (JP) 2018-009366

(51) **LOC (12) Cl.** **19-02**

(52) **U.S. Cl.**
USPC **D8/49**

(58) **Field of Classification Search**
USPC D8/49, 50, 61, 68, 69; D19/72, 73, 65,
D19/69; D21/532; D24/145; 7/158,
7/160; 227/4, 5, 6, 7, 8, 120, 127, 128,
227/131, 132, 134, 144, 156, 119, 155,
227/82; 606/139, 143, 153, 219
See application file for complete search history.

(56) **References Cited**

U.S. PATENT DOCUMENTS

D331,001 S * 11/1992 Hu Huang D8/50
D480,614 S * 10/2003 Haramiishi D8/49
6,715,654 B2 * 4/2004 Sugihara B27F 7/38
227/109

D502,370 S * 3/2005 Hsu D8/49
D504,295 S * 4/2005 Haramiishi D8/49
D512,289 S * 12/2005 Miwa D8/49
D512,889 S * 12/2005 Miwa D8/49
D519,345 S * 4/2006 Kameda D8/49
7,243,830 B2 * 7/2007 Kitamura B27F 7/21
227/131
8,251,272 B2 * 8/2012 Sugihara B27F 7/21
227/87
D694,601 S * 12/2013 Kameda D8/49
9,687,996 B2 * 6/2017 Sugihara B27F 7/38
9,694,509 B2 * 7/2017 Sugihara B27F 7/38
D852,597 S * 7/2019 Huang D8/49

* cited by examiner

Primary Examiner — Austin Murphy

(74) *Attorney, Agent, or Firm* — Rothwell, Figg, Ernst & Manbeck, P.C.

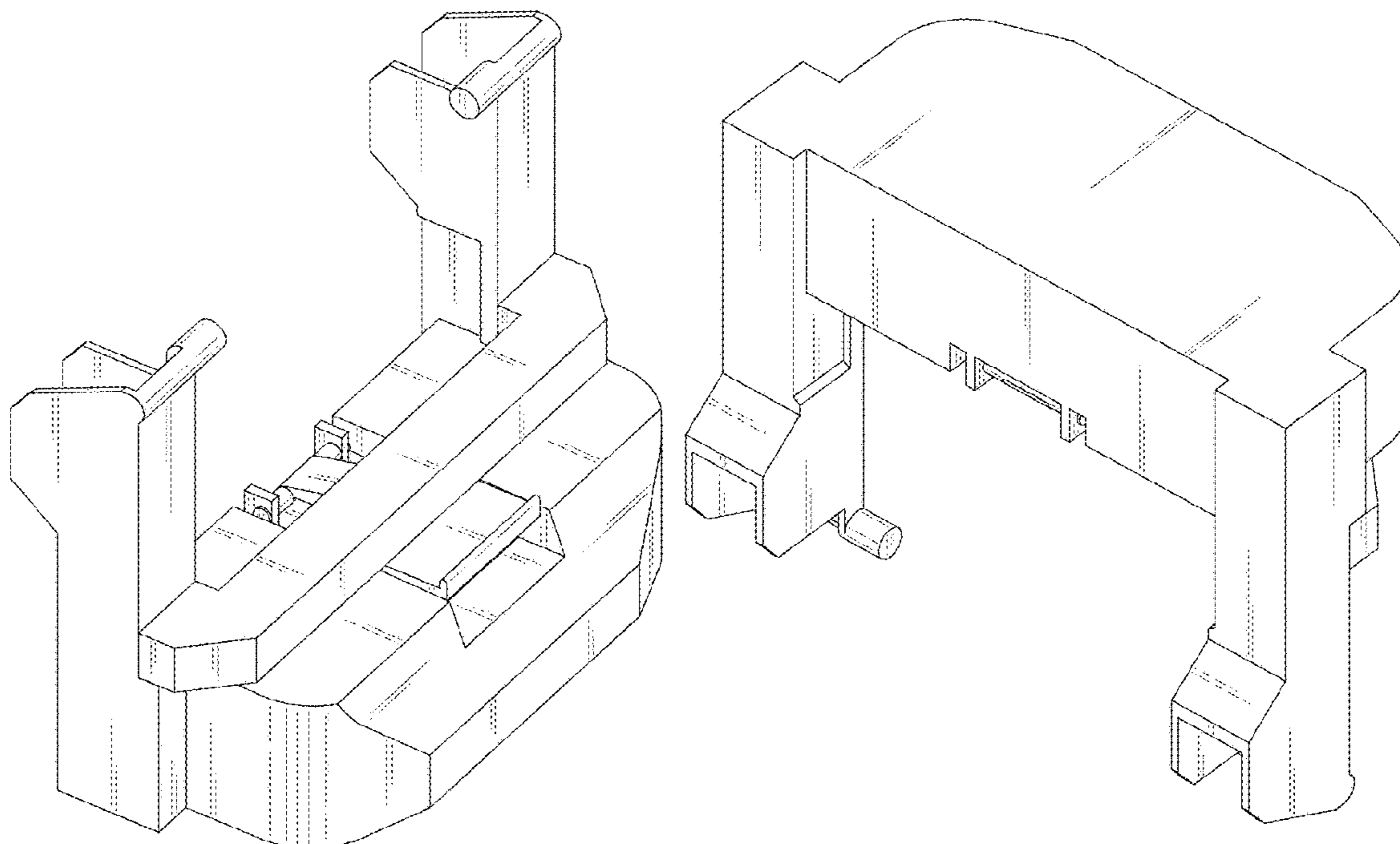
(57) **CLAIM**

The ornamental design for container for staple fragment, as shown and described.

DESCRIPTION

FIG. 1 is a perspective view of the front, top and left side of container for staple fragment showing our new design; FIG. 2 is a perspective view of the rear, bottom and right side thereof; FIG. 3 is a front view thereof; FIG. 4 is a rear view thereof; FIG. 5 is a left side view thereof; FIG. 6 is a right side view thereof; FIG. 7 is a top view thereof; and, FIG. 8 is a bottom view thereof.

1 Claim, 7 Drawing Sheets



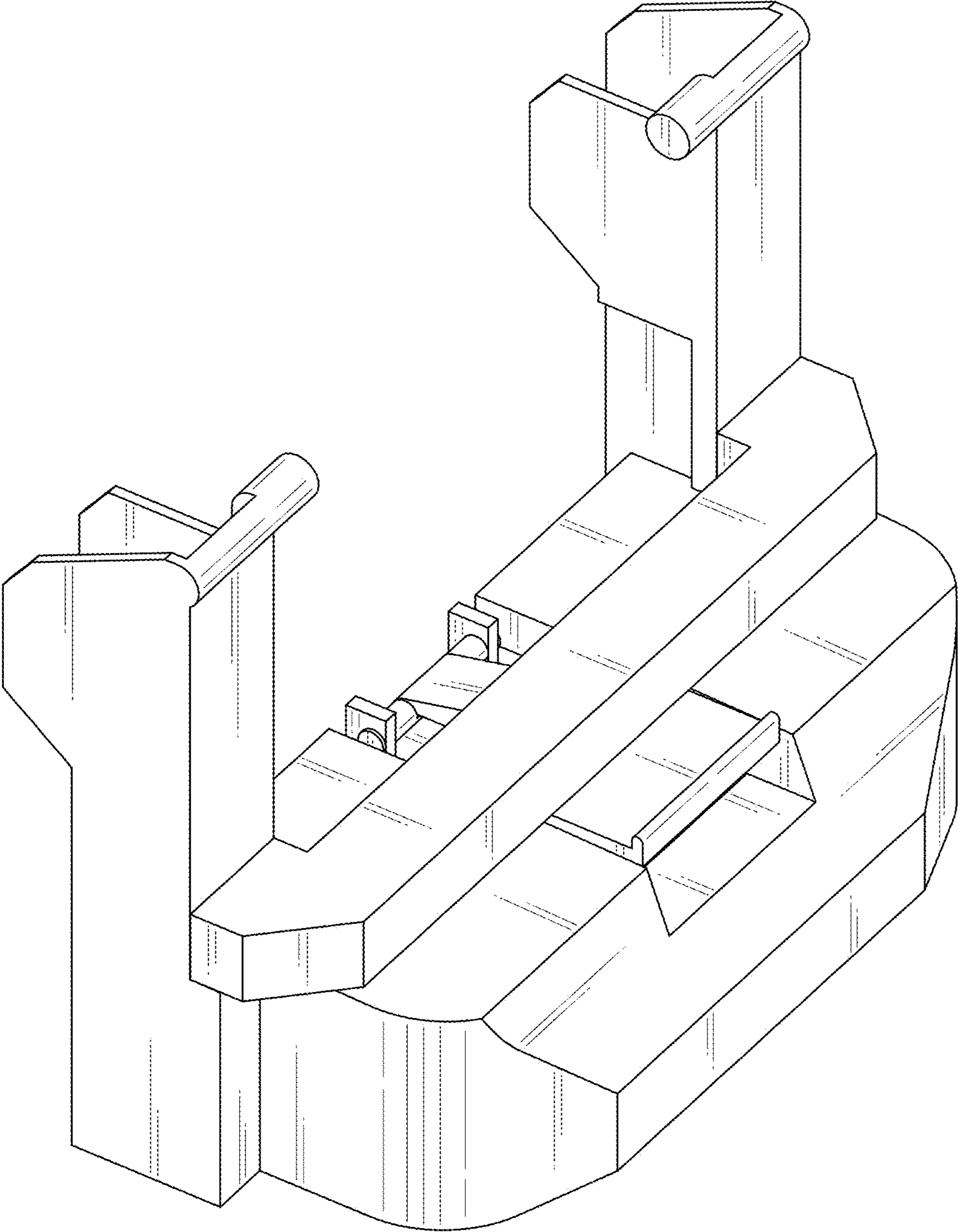


FIG. 1

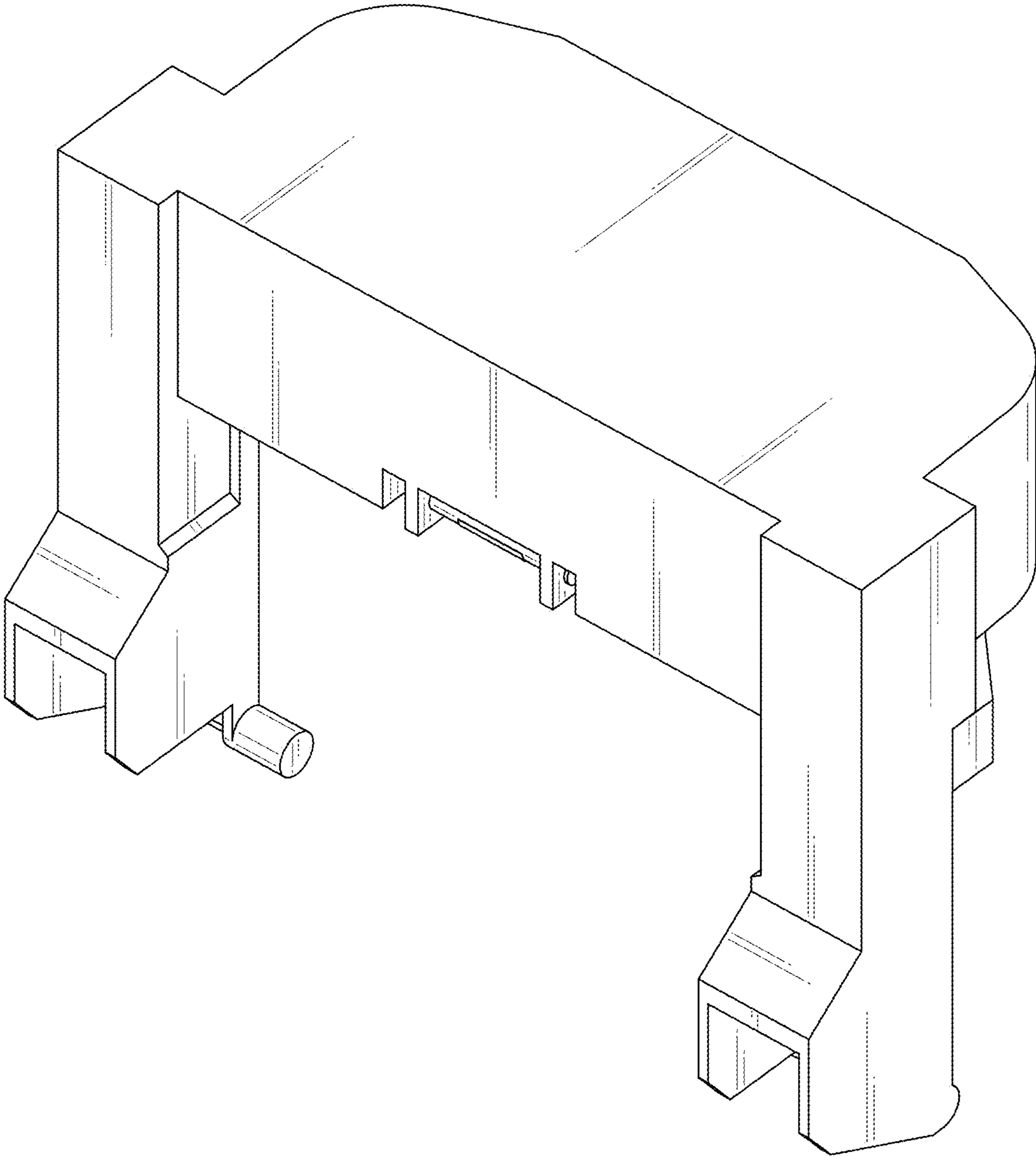


FIG. 2

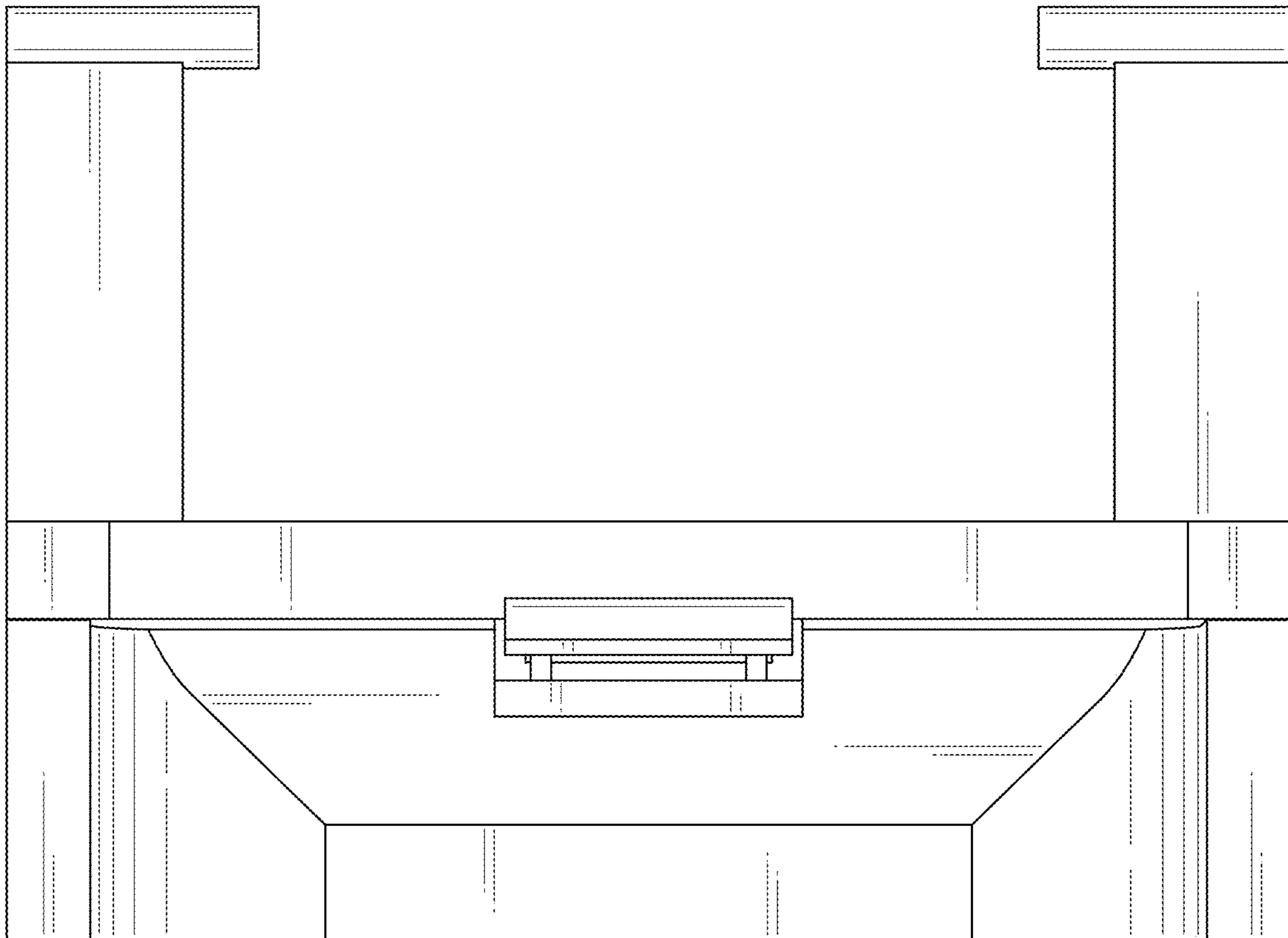


FIG. 3

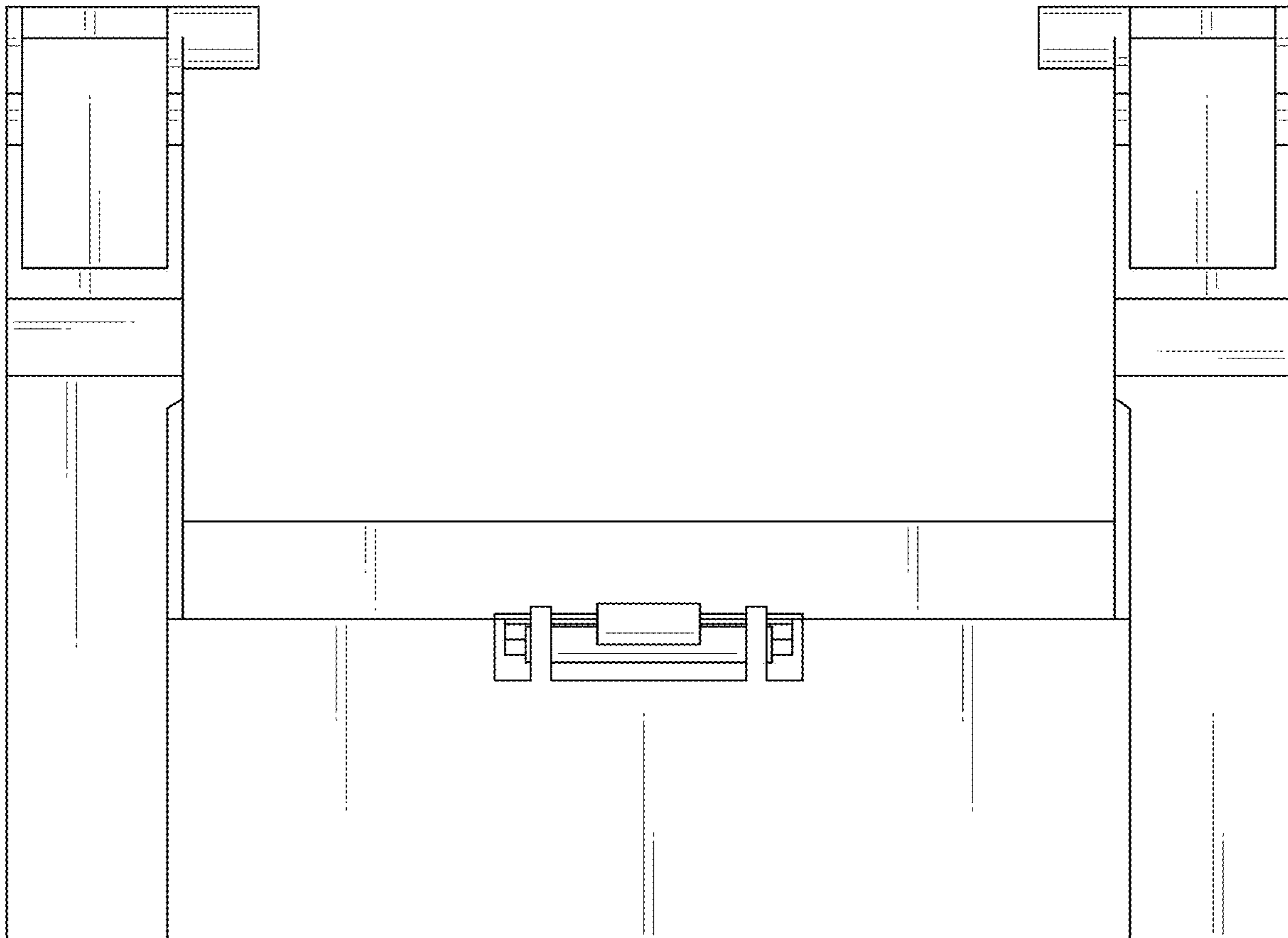


FIG. 4

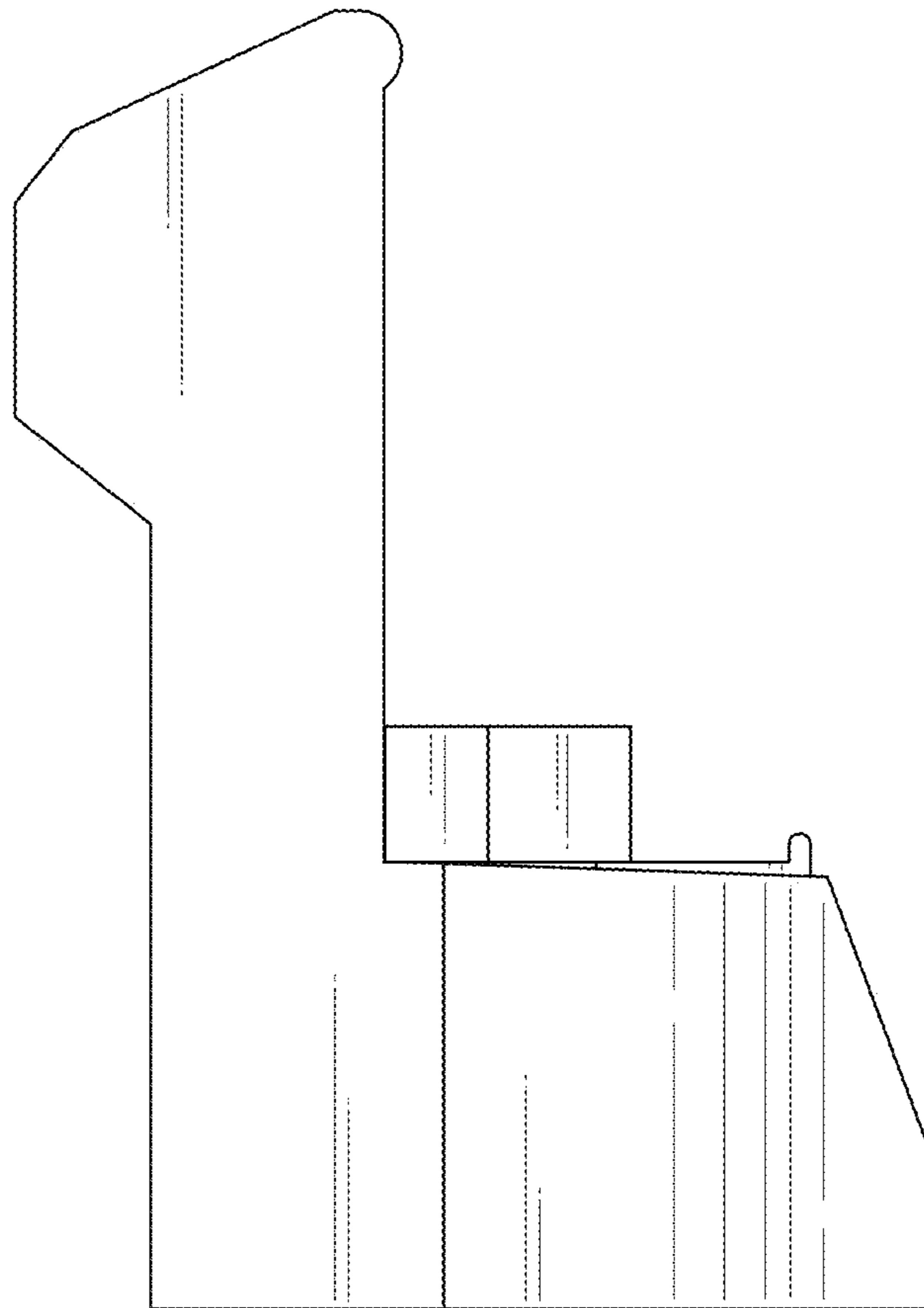


FIG. 5

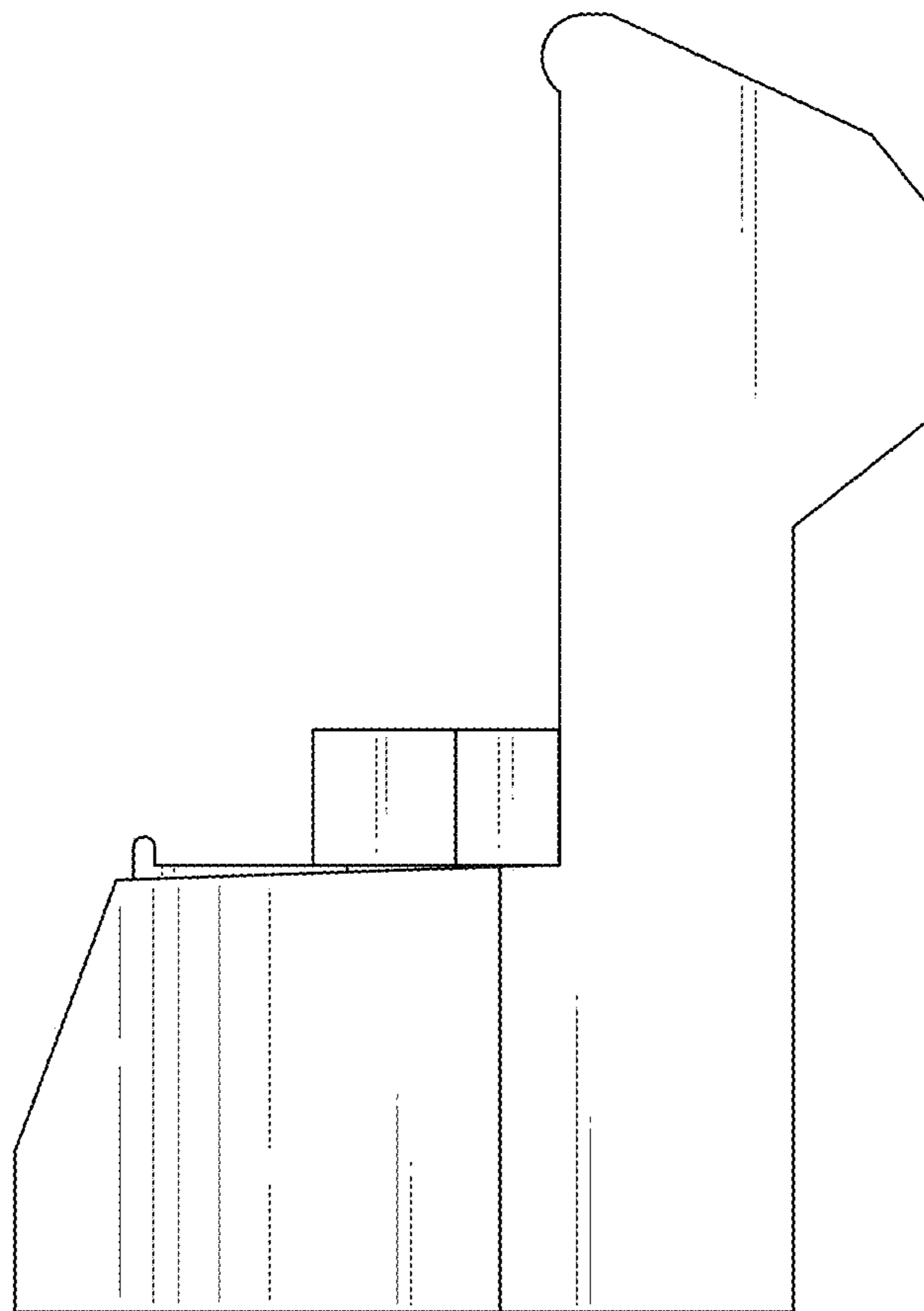


FIG. 6

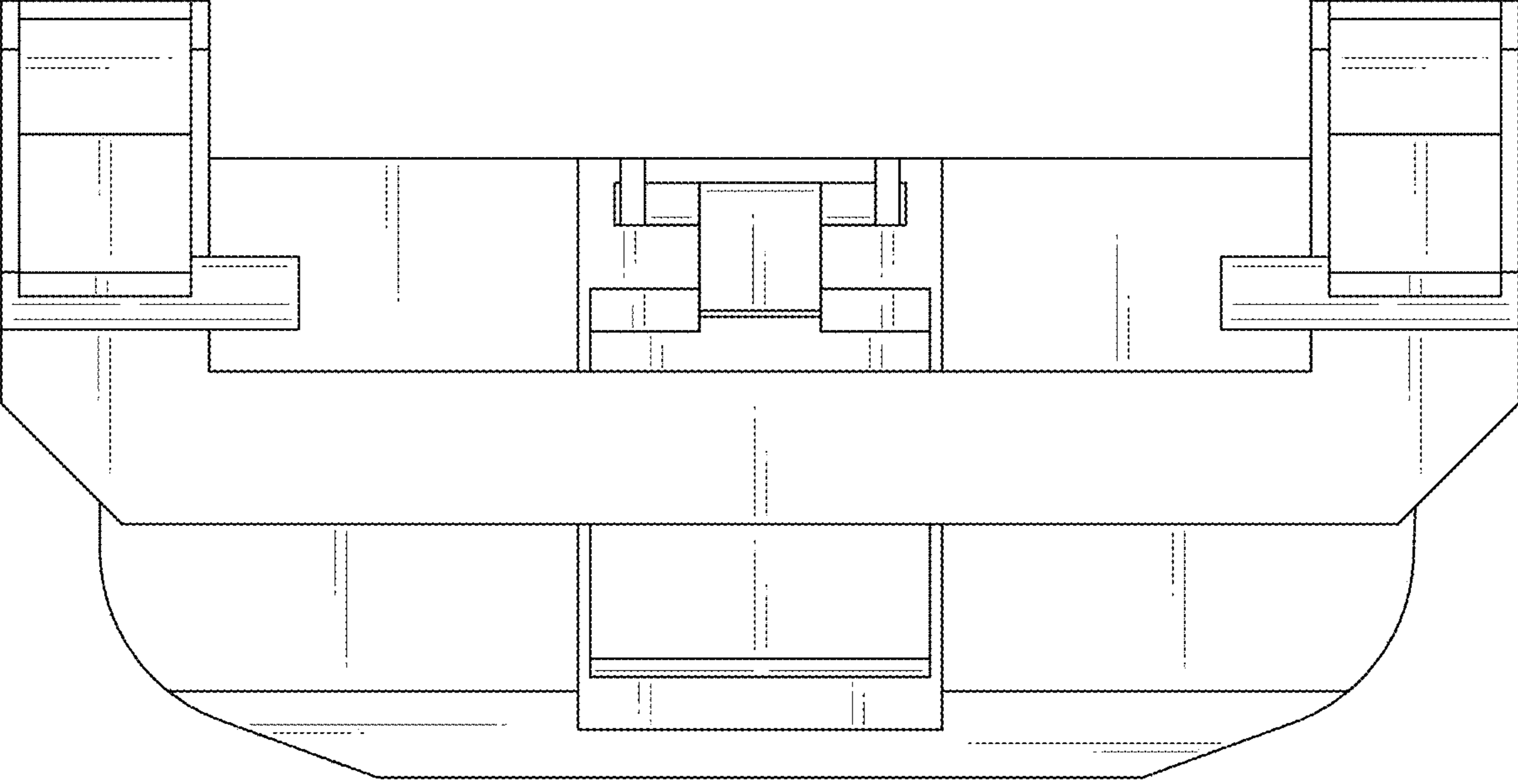


FIG. 7

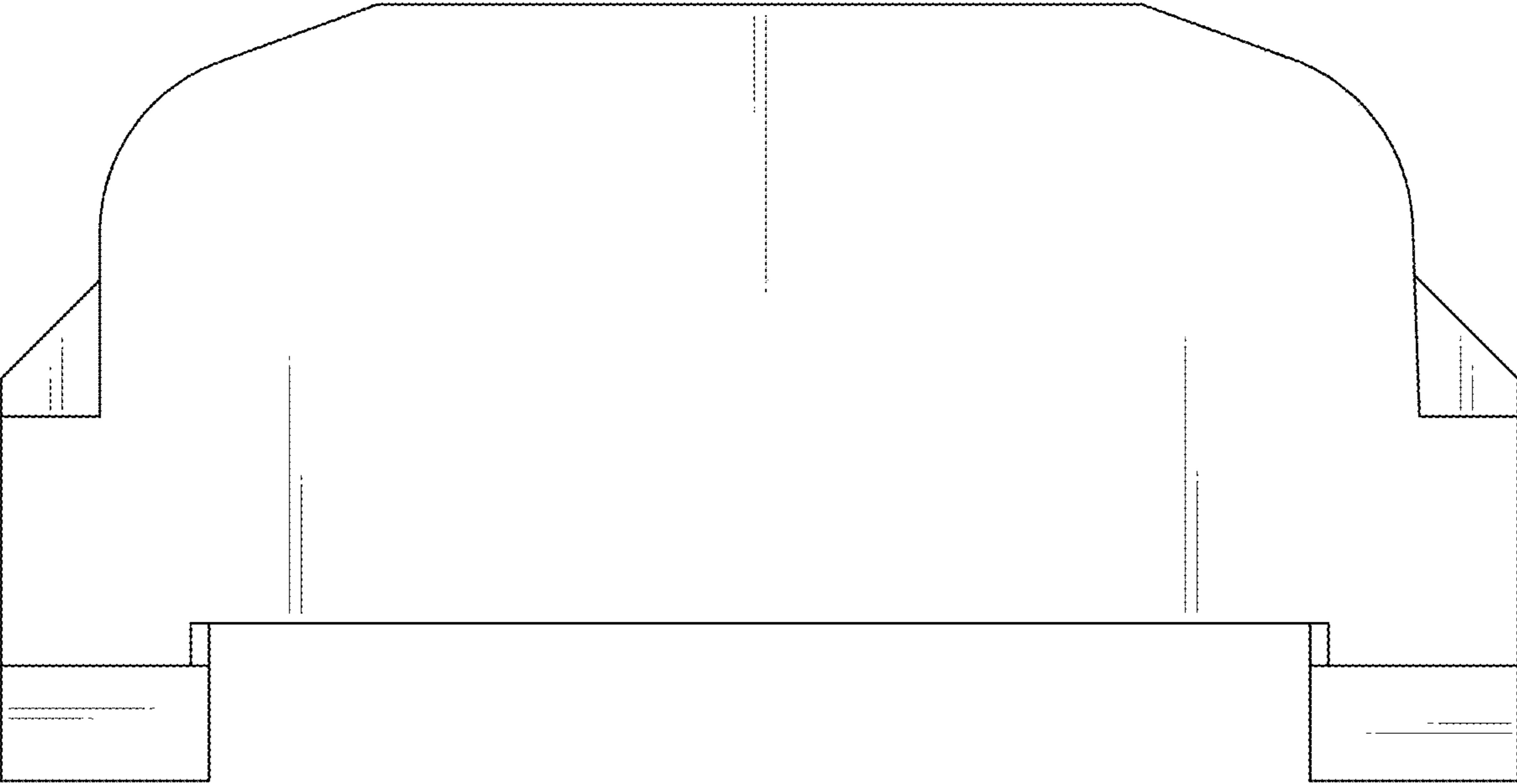


FIG. 8