



US00D869923S

(12) **United States Design Patent** (10) **Patent No.:** **US D869,923 S**
Hartt (45) **Date of Patent:** **** Dec. 17, 2019**

(54) **WEDGE TOOL**
(71) Applicant: **iFixit**, San Luis Obispo, CA (US)
(72) Inventor: **Brett Hartt**, Atascadero, CA (US)
(73) Assignee: **iFixit**, San Luis Obispo, CA (US)
(**) Term: **15 Years**
(21) Appl. No.: **29/616,690**
(22) Filed: **Sep. 7, 2017**
(51) **LOC (12) Cl.** **08-05**
(52) **U.S. Cl.**
USPC **D8/47; D8/14**
(58) **Field of Classification Search**
USPC D8/14, 88, 89, 16; D13/160; D32/46
CPC H01M 2/08; H01M 2/14
See application file for complete search history.

D553,922 S * 10/2007 Fujino D8/14
D558,542 S * 1/2008 Kiely D8/19
D576,001 S * 9/2008 Brunderman D8/19
8,613,726 B2 * 12/2013 Causey, III A61M 5/1456
604/131
2018/0342712 A1 * 11/2018 Methe H01M 2/0465

OTHER PUBLICATIONS

“iPad Battery Isolation Tool”, iCracked, <https://shop.icracked.com/collections/tools/products/ipad-battery-isolation-tool>, retrieved Oct. 31, 2017.

* cited by examiner

Primary Examiner — Philip S Hyder
(74) *Attorney, Agent, or Firm* — Cynthia Replogle

(57) **CLAIM**

The ornamental design for a wedge tool, as shown and described.

(56) **References Cited**

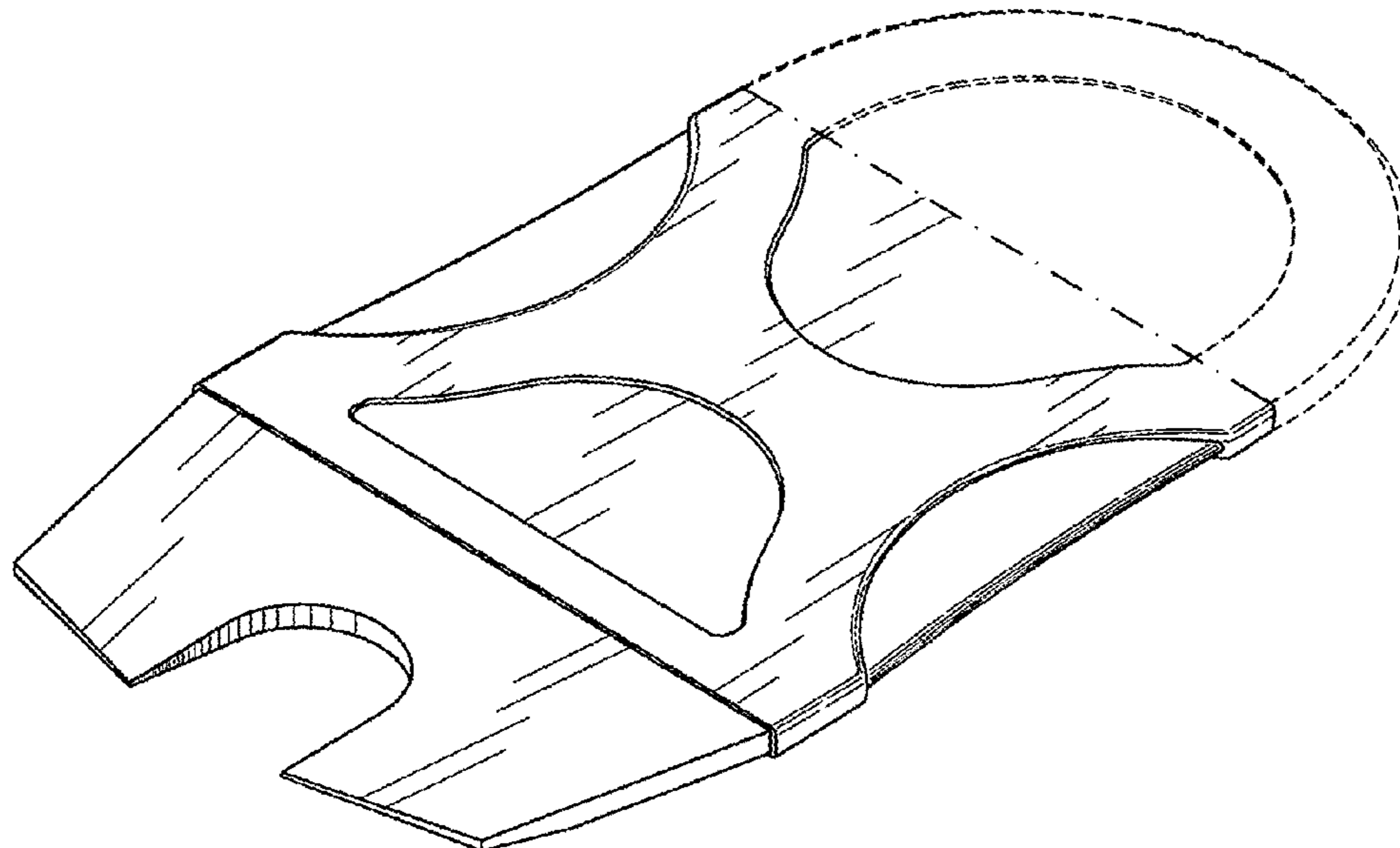
U.S. PATENT DOCUMENTS

1,942,435 A * 1/1934 Loosbrock H01R 11/282
439/774
D208,249 S * 8/1967 Prunchak D32/46
D255,320 S * 6/1980 Steck D8/89
D340,755 S * 10/1993 Shearer D21/793
D369,079 S * 4/1996 Lisser D8/14
D416,178 S * 11/1999 Moore D8/16
D416,453 S * 11/1999 Egan D32/46
6,045,946 A * 4/2000 Maggert H01M 2/0212
429/127
6,377,726 B1 * 4/2002 Danziger G02B 6/14
385/140
D459,187 S * 6/2002 Norton D8/14
D499,784 S * 12/2004 Calvani D21/793

DESCRIPTION

FIG. 1 is a top perspective view of a wedge tool showing the new design;
FIG. 2 is a bottom perspective view;
FIG. 3 is a top view;
FIG. 4 is a bottom view;
FIG. 5 is a side view, the opposite side being a mirror image;
FIG. 6 is a front view; and,
FIG. 7 is a rear view.
The broken lines illustrate portions of the wedge tool that form no part of the claimed design.

1 Claim, 7 Drawing Sheets



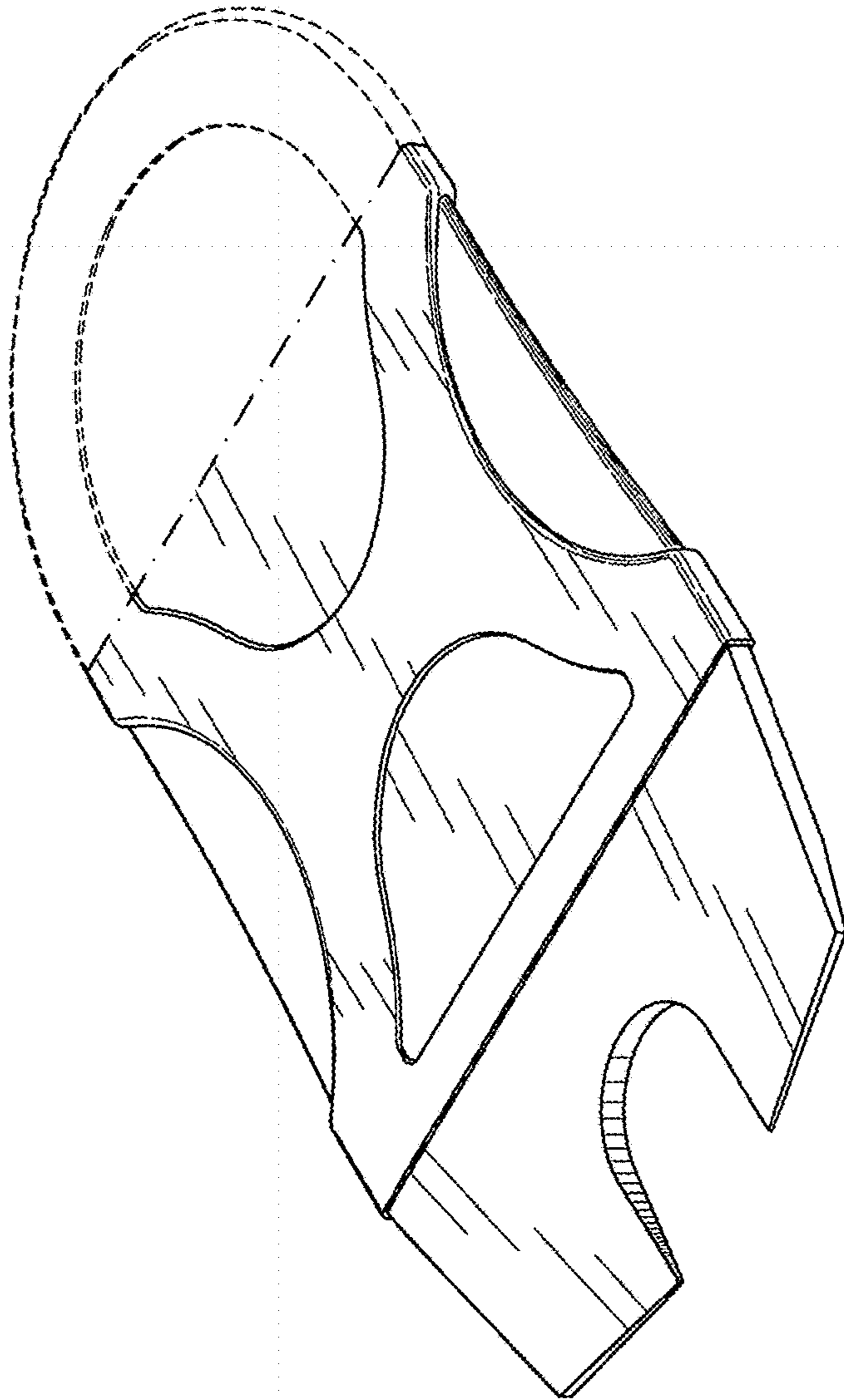


FIG. 1

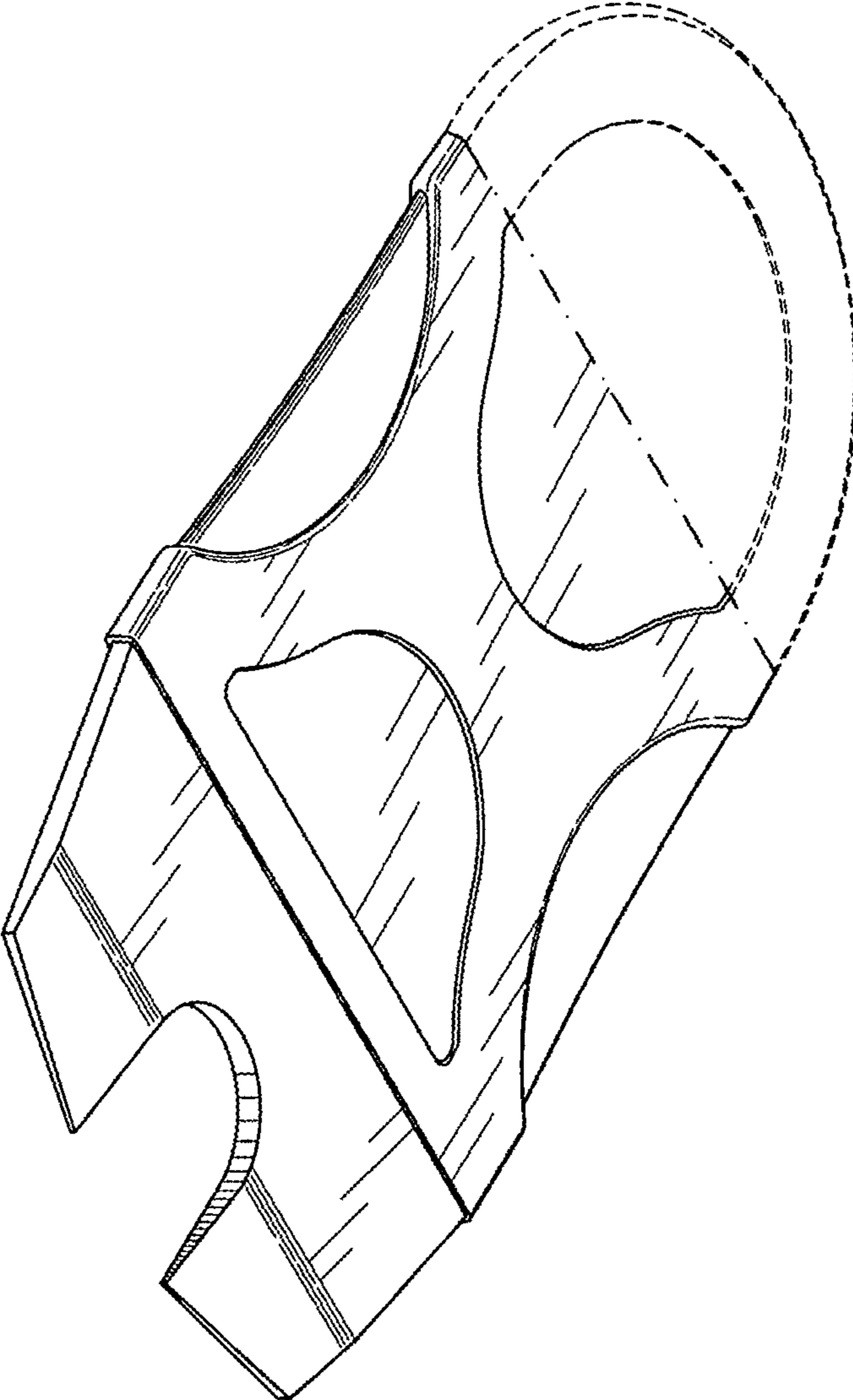


FIG. 2

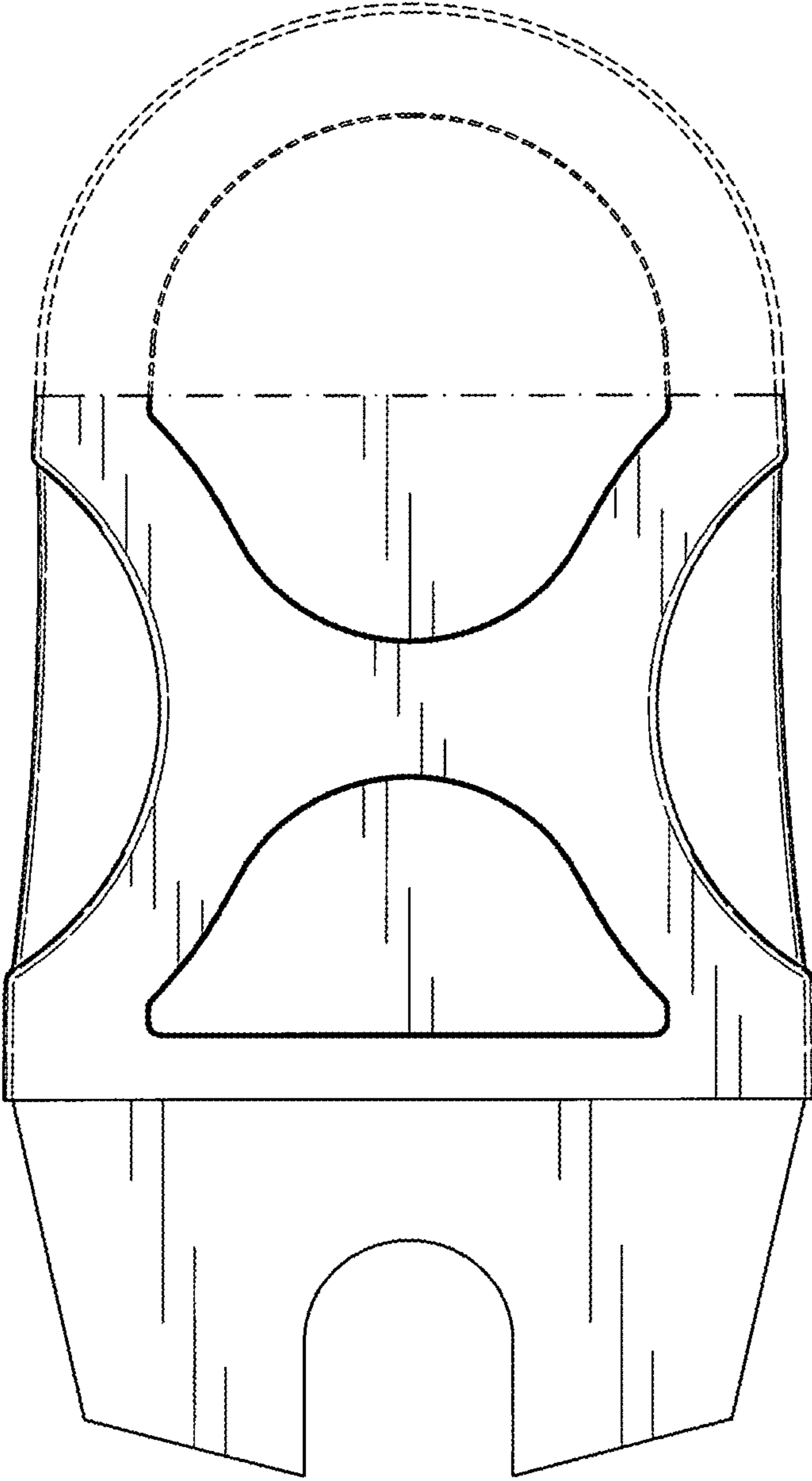


FIG. 3

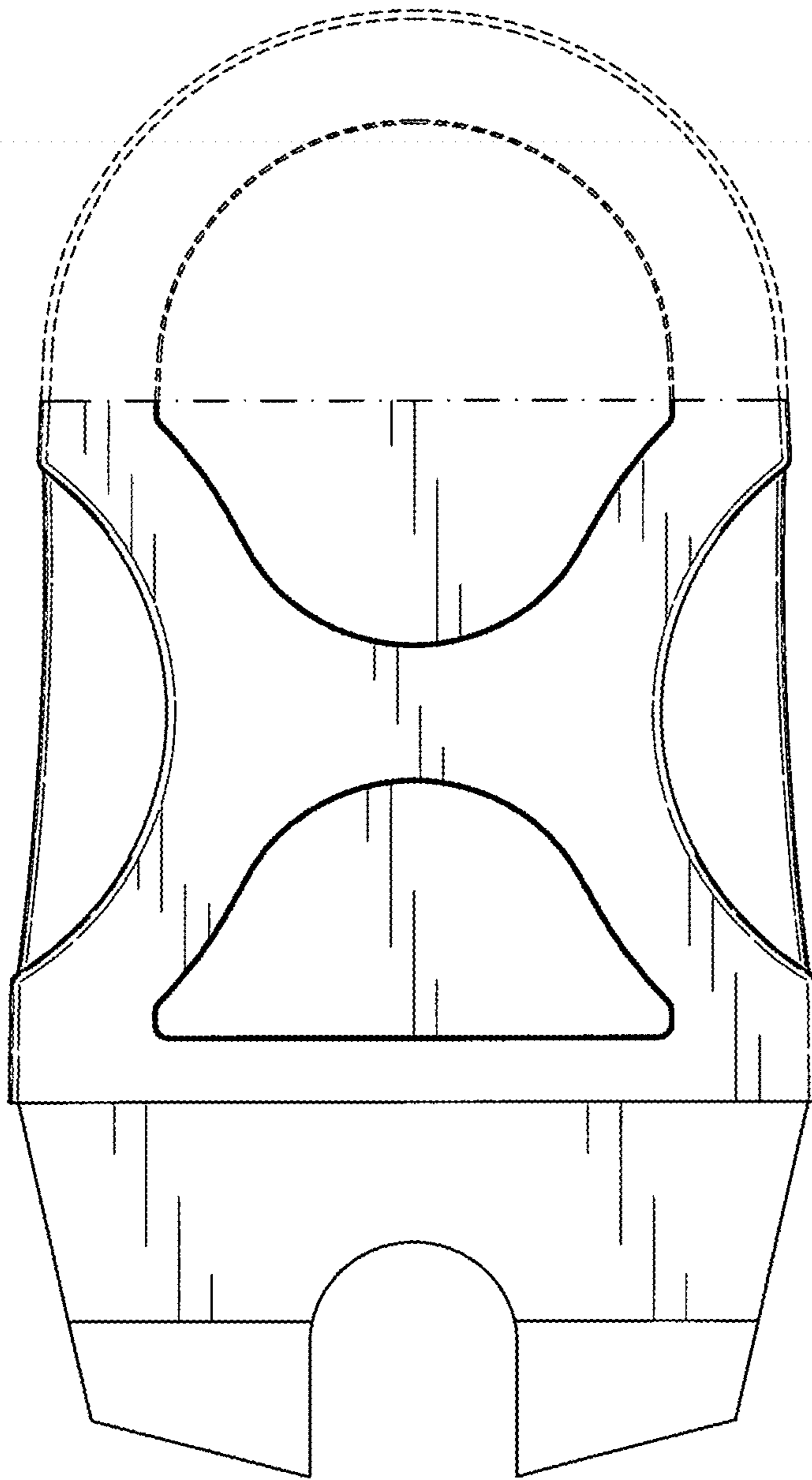


FIG. 4



FIG. 5



FIG. 6



FIG. 7