

US00D869922S

(12) **United States Design Patent**
Widmann

(10) **Patent No.:** **US D869,922 S**

(45) **Date of Patent:** **** *Dec. 17, 2019**

- (54) **BOTTLE OPENER**
- (71) Applicant: **Bruno Widmann**, Dekalb, IL (US)
- (72) Inventor: **Bruno Widmann**, Dekalb, IL (US)
- (*) Notice: This patent is subject to a terminal disclaimer.
- (**) Term: **15 Years**
- (21) Appl. No.: **29/673,093**
- (22) Filed: **Dec. 12, 2018**

Related U.S. Application Data

- (63) Continuation-in-part of application No. 29/655,201, filed on Jun. 30, 2018, and a continuation of application No. 16/024,742, filed on Jun. 30, 2018.
- (51) **LOC (12) Cl.** **07-99**
- (52) **U.S. Cl.**
USPC **D8/34**
- (58) **Field of Classification Search**
USPC D8/18, 33-43
CPC B67B 7/00; B67B 7/0441; B67B 7/12;
B67B 7/14; B67B 7/16; B67B 7/18;
B67B 7/24; B67B 7/30; B67B 7/34;
B67B 7/40; B67B 7/406; B67B 7/44
See application file for complete search history.

(56) **References Cited**

U.S. PATENT DOCUMENTS

- 758,235 A * 4/1904 Cady B65D 51/243
215/226
- 959,220 A * 5/1910 Hoeft B65D 51/243
215/226
- 2,041,391 A * 5/1936 Bauch B65D 51/243
215/226
- 2,077,675 A * 4/1937 Cross B67B 7/24
30/1

- 2,104,978 A * 1/1938 Evans B67B 7/24
220/282
- 2,430,651 A * 11/1947 Shanahan B67B 3/02
53/363
- 2,455,496 A * 12/1948 Kaskouras B67B 7/44
30/413
- 3,185,332 A * 5/1965 Greenstein B65D 51/243
215/226
- 3,542,231 A * 11/1970 Wettermann B65D 41/185
215/226
- 3,600,982 A * 8/1971 Tholen B67B 7/18
81/3.4
- D249,116 S * 8/1978 Vanderbloemen D8/18
- D254,475 S * 3/1980 Stover D8/18
- D273,555 S * 4/1984 Tanner D8/37
- 4,474,087 A * 10/1984 Widman B67B 7/18
81/3.09
- D277,725 S * 2/1985 Silkebakken D8/40
- D288,895 S * 3/1987 Sarnoff D8/18
- D296,978 S * 8/1988 Smith D8/34

(Continued)

Primary Examiner — Elizabeth A. Albert

(74) *Attorney, Agent, or Firm* — Incubate IP; Randy R. Micheletti

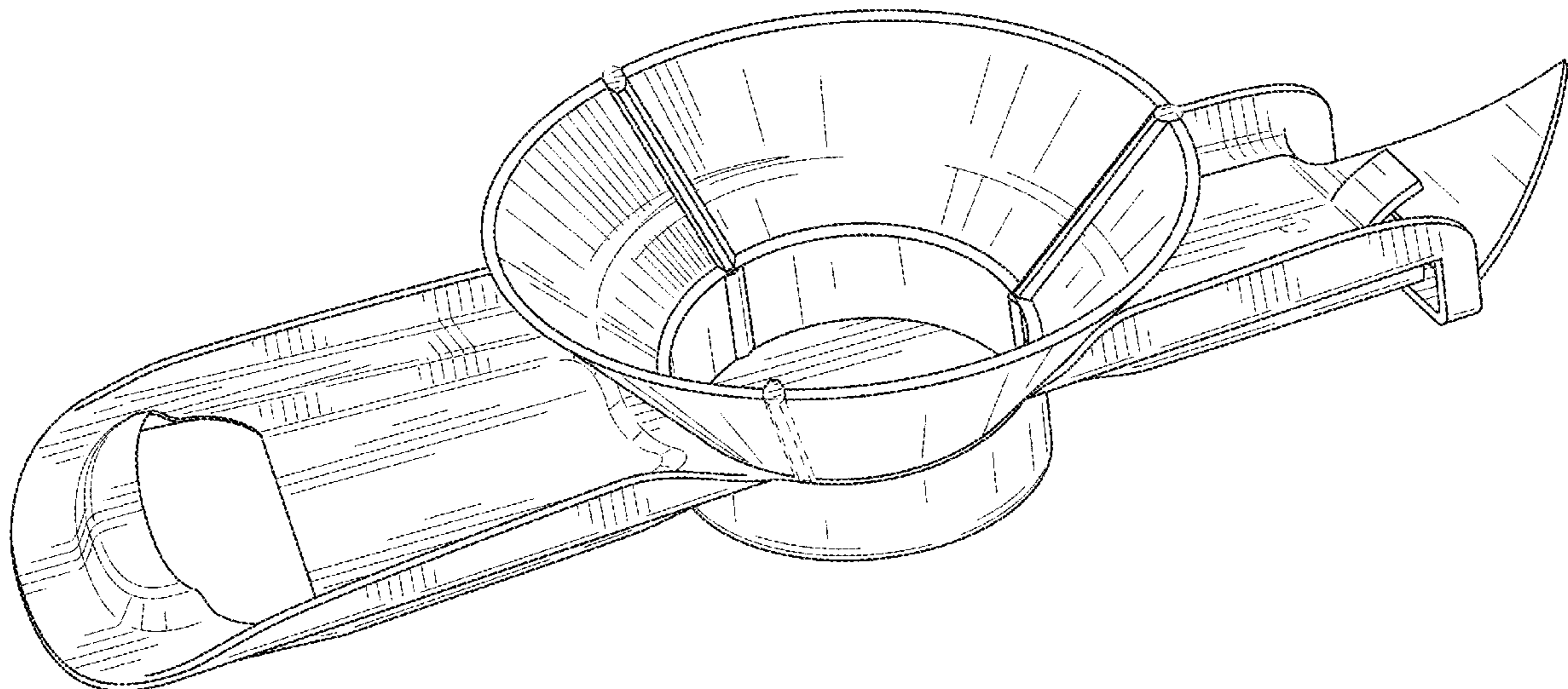
(57) **CLAIM**

The ornamental design for a bottle opener, substantially as shown and described.

DESCRIPTION

FIG. 1 is a bottom perspective view of a bottle opener according to the present disclosure.
 FIG. 2 is a left side view of the bottle opener of FIG. 1.
 FIG. 3 is a right side view of the bottle opener of FIG. 1.
 FIG. 4 is a front view of the bottle opener of FIG. 1.
 FIG. 5 is rear view of the bottle opener of FIG. 1.
 FIG. 6 is a top view the bottle opener of FIG. 1; and,
 FIG. 7 is a bottom view of the bottle opener of FIG. 1.
 The features shown in broken lines in the various Figures are for illustrating environmental structure and form no part of the claimed design.

1 Claim, 6 Drawing Sheets



(56)

References Cited

U.S. PATENT DOCUMENTS

D436,008 S *	1/2001	Klein	D27/161
D447,923 S *	9/2001	Taylor	D8/40
D473,437 S *	4/2003	Klein	D8/34
8,720,714 B2 *	5/2014	Romero	B67B 7/403 215/228

* cited by examiner

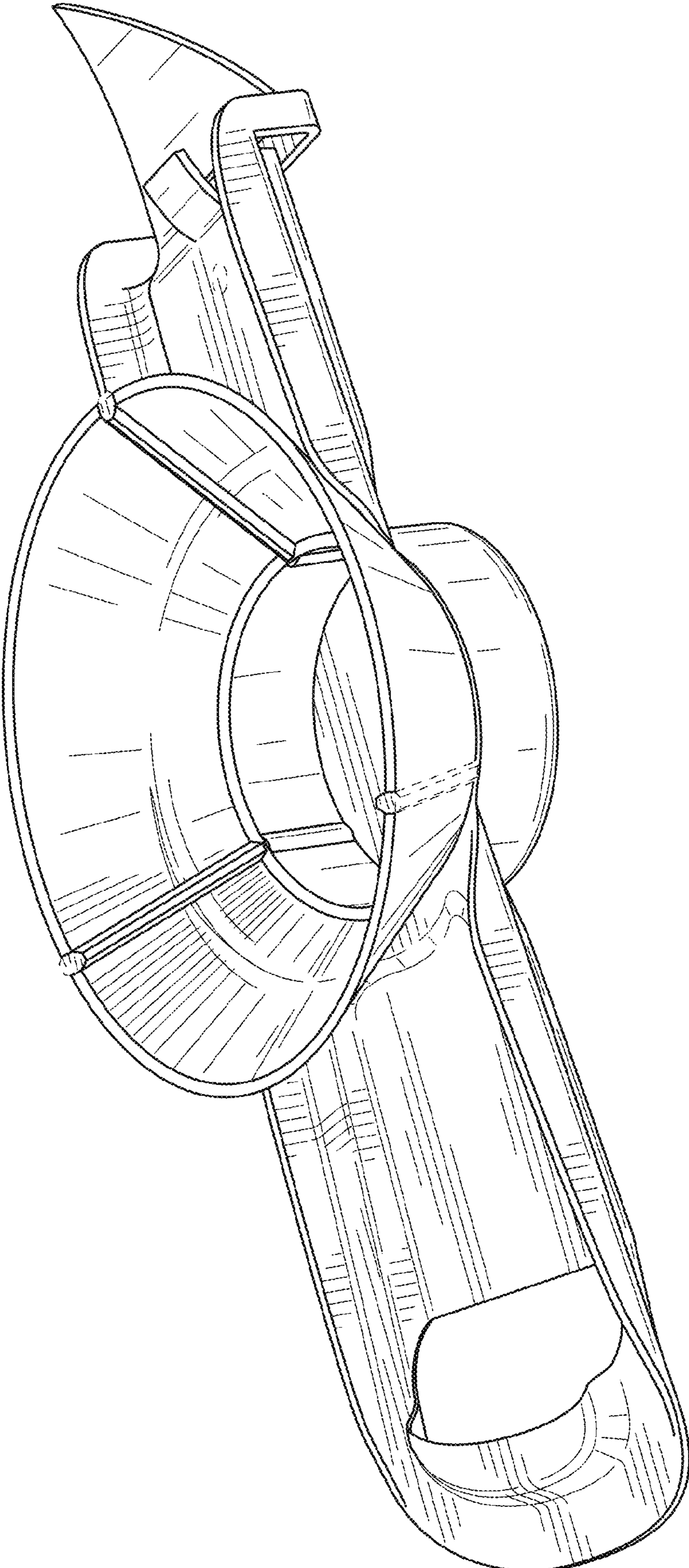


FIG. 1

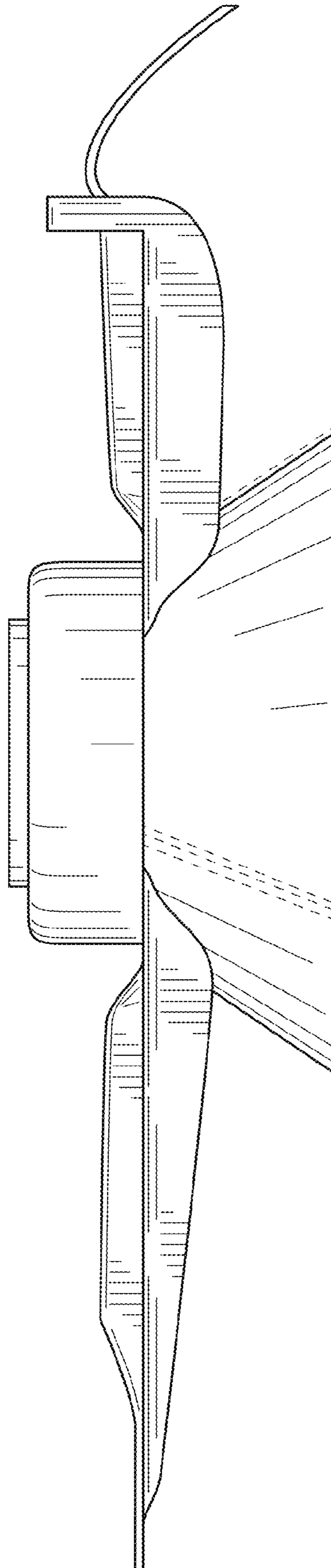


FIG. 2

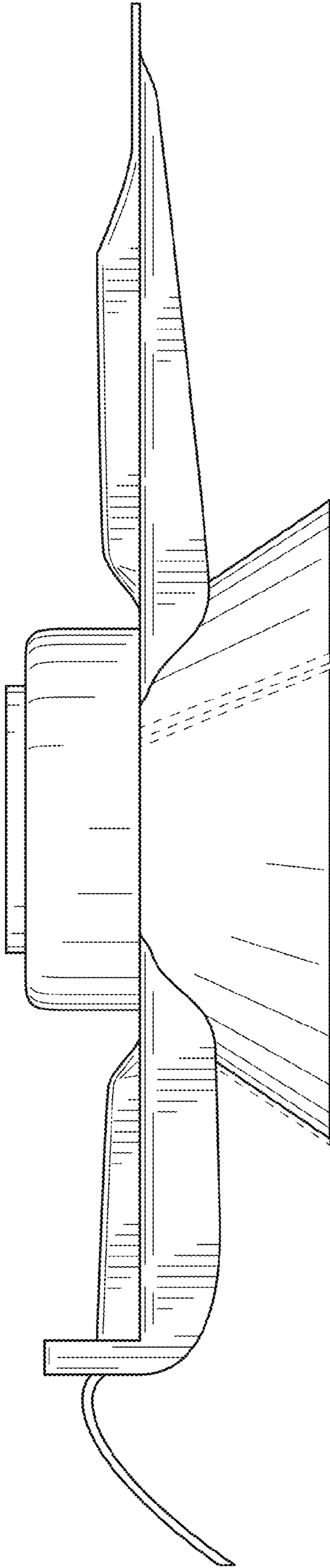


FIG. 3

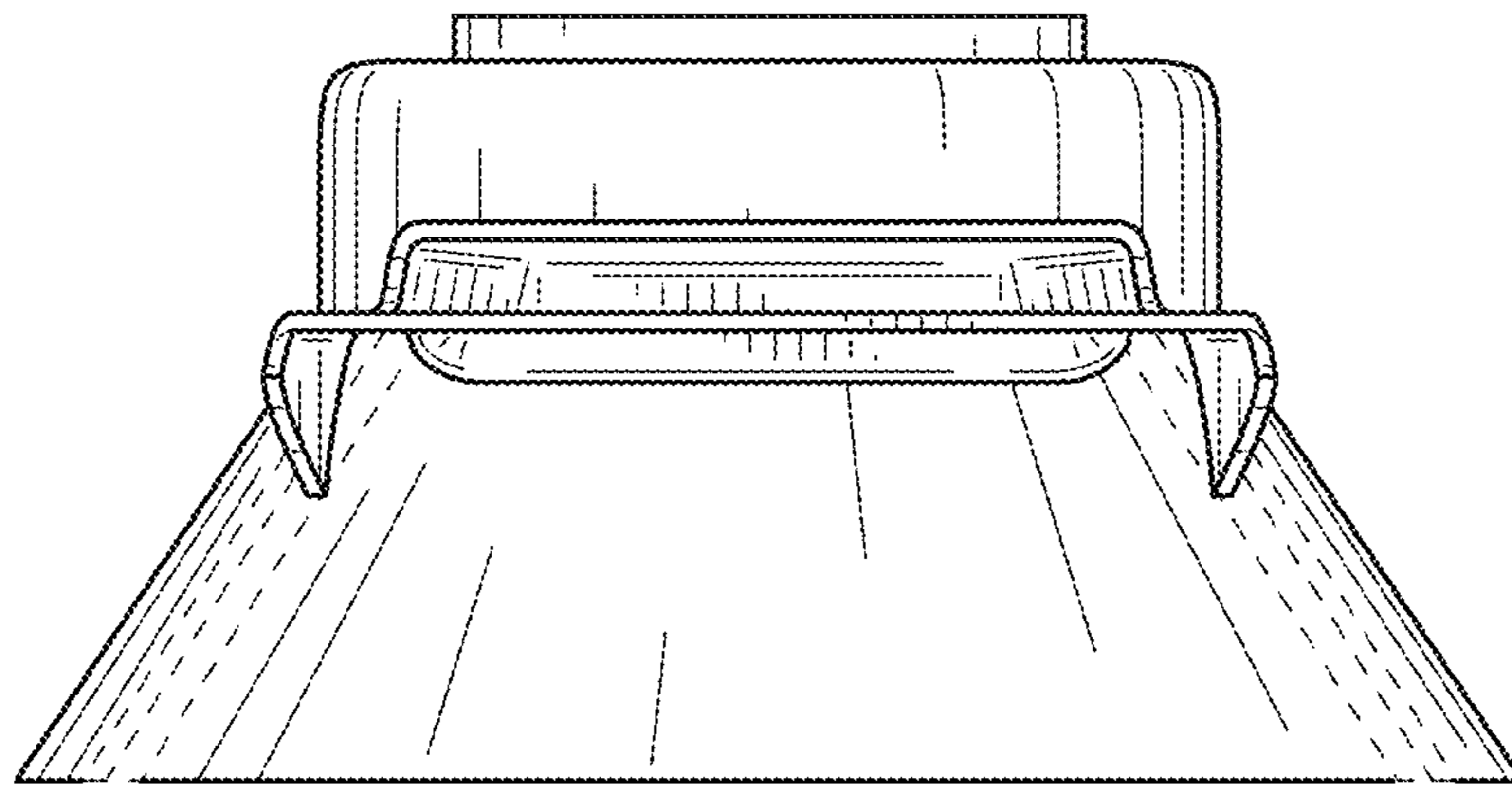


FIG. 4

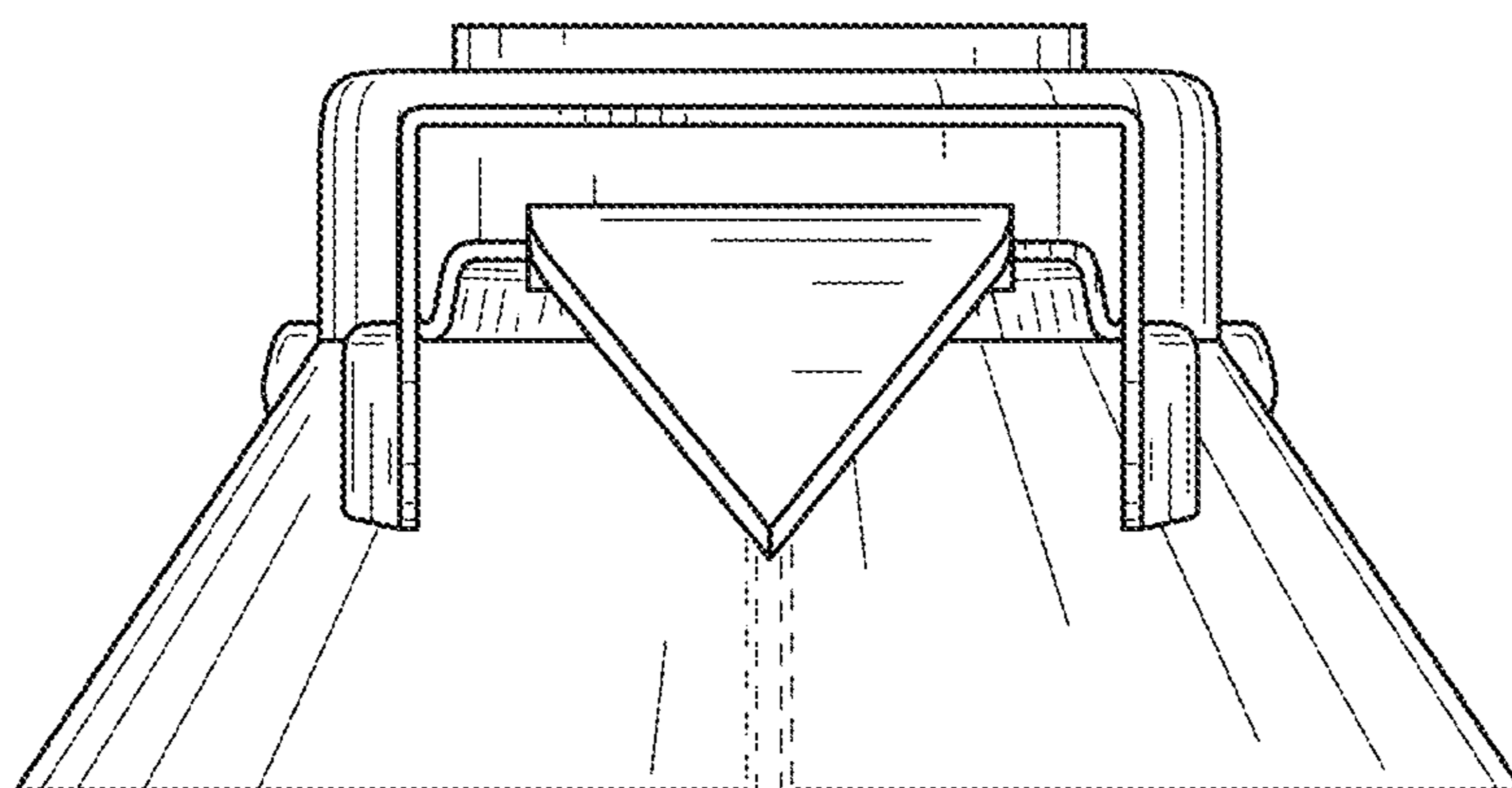


FIG. 5

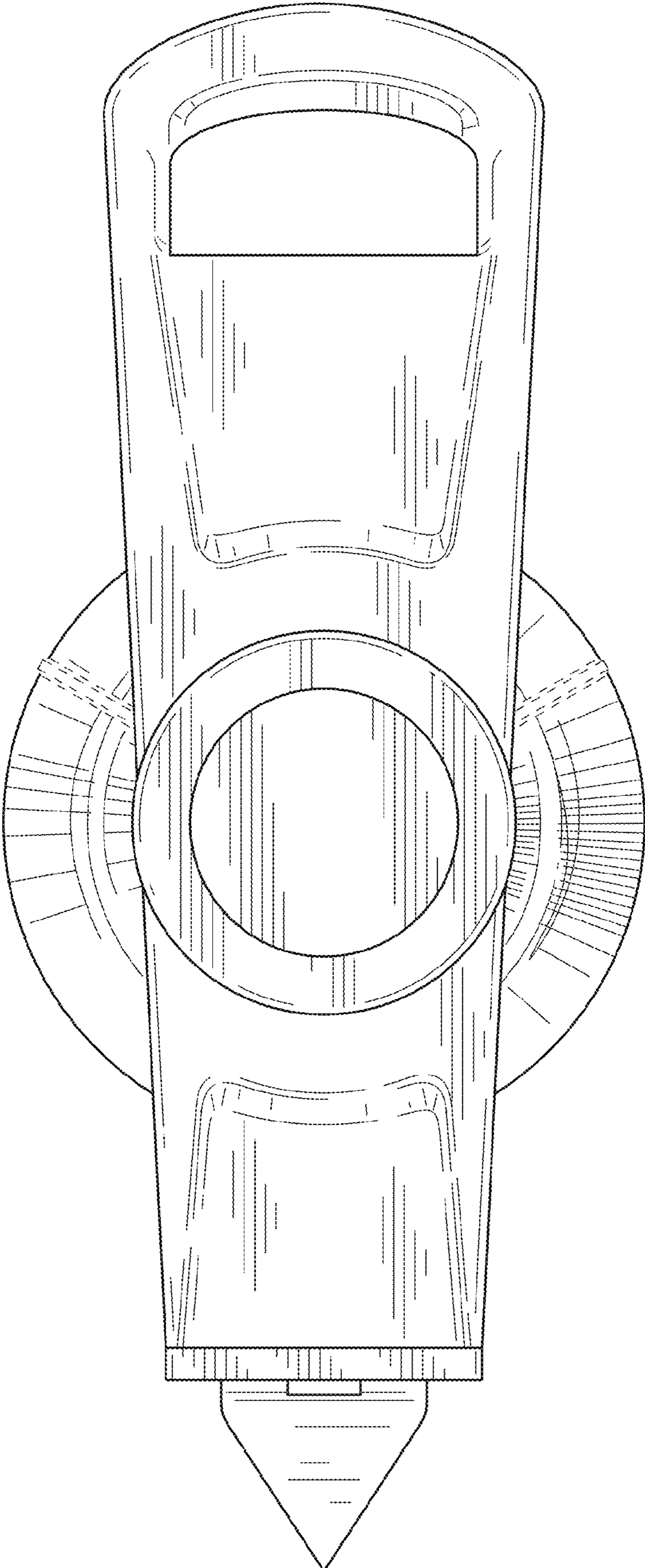


FIG. 6

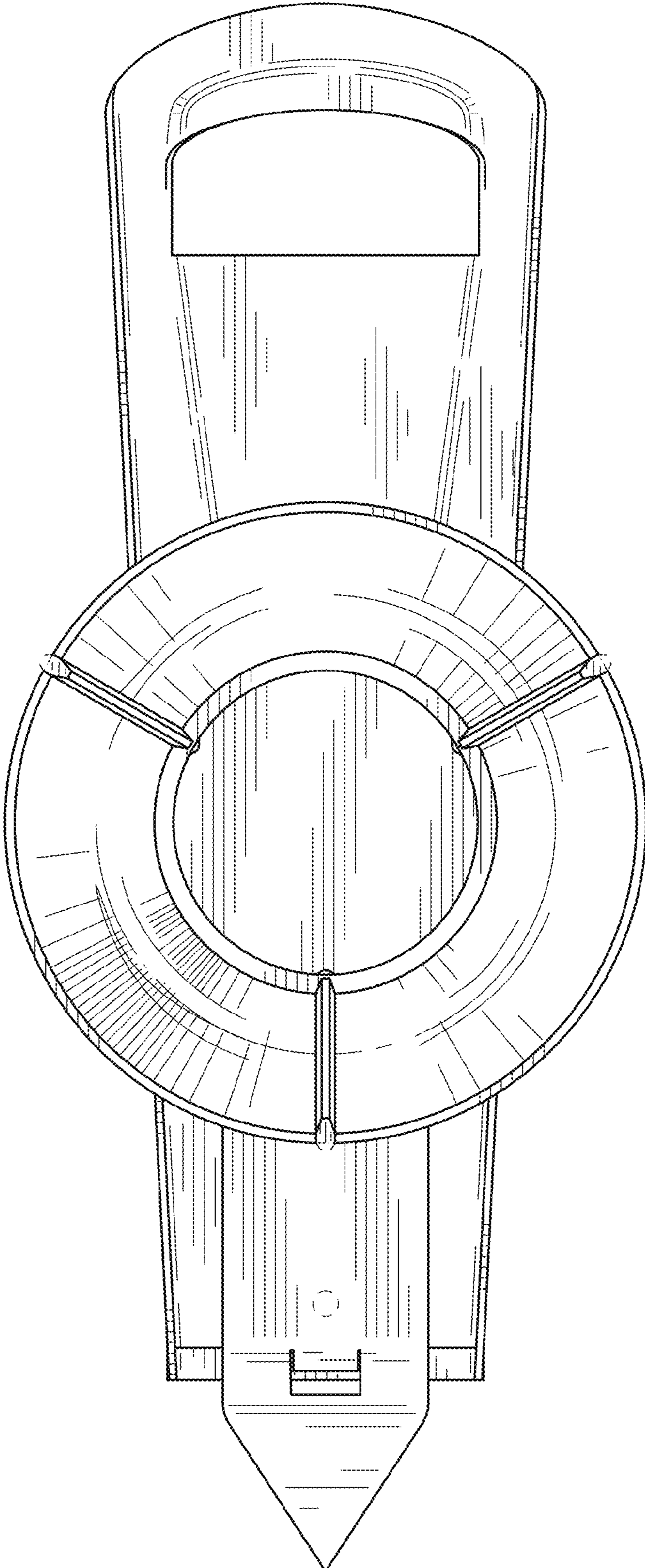


FIG. 7