



US00D869921S

(12) **United States Design Patent** (10) **Patent No.:** **US D869,921 S**
Albertson (45) **Date of Patent:** **** Dec. 17, 2019**

(54) **SOCKET WRENCH SELECTOR**

(56) **References Cited**

(71) Applicant: **Robert V. Albertson**, Mound, MN (US)

U.S. PATENT DOCUMENTS

(72) Inventor: **Robert V. Albertson**, Mound, MN (US)

D529,778 S * 10/2006 Albertson D8/70
D727,120 S * 4/2015 Wang D8/25
D796,924 S * 9/2017 Albertson D8/25

(**) Term: **15 Years**

* cited by examiner

(21) Appl. No.: **29/620,963**

Primary Examiner — Randall H Gholson

(22) Filed: **Sep. 11, 2017**

(74) *Attorney, Agent, or Firm* — Richard John Bartz

Related U.S. Application Data

(62) Division of application No. 29/620,254, filed on Sep. 7, 2016, now Pat. No. Des. 796,924.

(51) **LOC (12) Cl.** **08-05**

(52) **U.S. Cl.**
USPC **D8/25**

(58) **Field of Classification Search**

USPC D8/25, 55, 70, 71; D15/138, 139, 140;
D23/262; 82/158; 279/19.3, 19.5;
299/10, 104; 407/64, 99, 101, 102, 117;
408/143, 144, 223, 226, 239, 240

CPC B25B 13/48; B25B 13/02; B25B 13/04
See application file for complete search history.

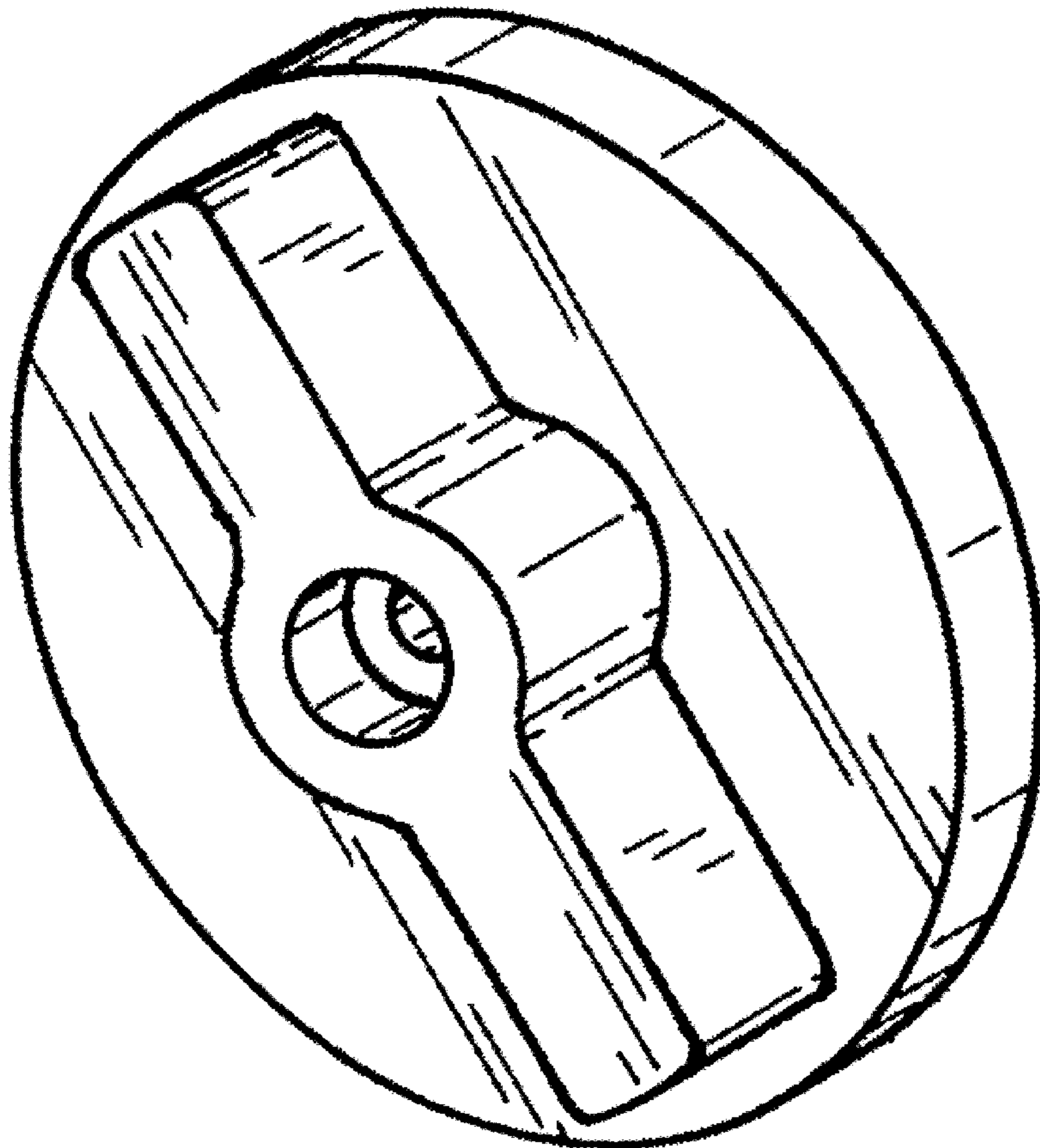
(57) **CLAIM**

I claim the ornamental design for a socket wrench selector, as shown and described.

DESCRIPTION

FIG. 1 is a perspective view of a socket wrench selector of my new design;
FIG. 2 is a front elevational view thereof;
FIG. 3 is a top plan view thereof;
FIG. 4 is a bottom plan view thereof;
FIG. 5 is a left side elevational view thereof;
FIG. 6 is a right side elevational view thereof;
FIG. 7 is a rear elevational view thereof;
FIG. 8 is a sectional view taken along line 8-8 of FIG. 7;
FIG. 9 is a sectional view taken along line 9-9 of FIG. 7; and,
FIG. 10 is a sectional view taken along line 10-10 of FIG. 7.

1 Claim, 3 Drawing Sheets



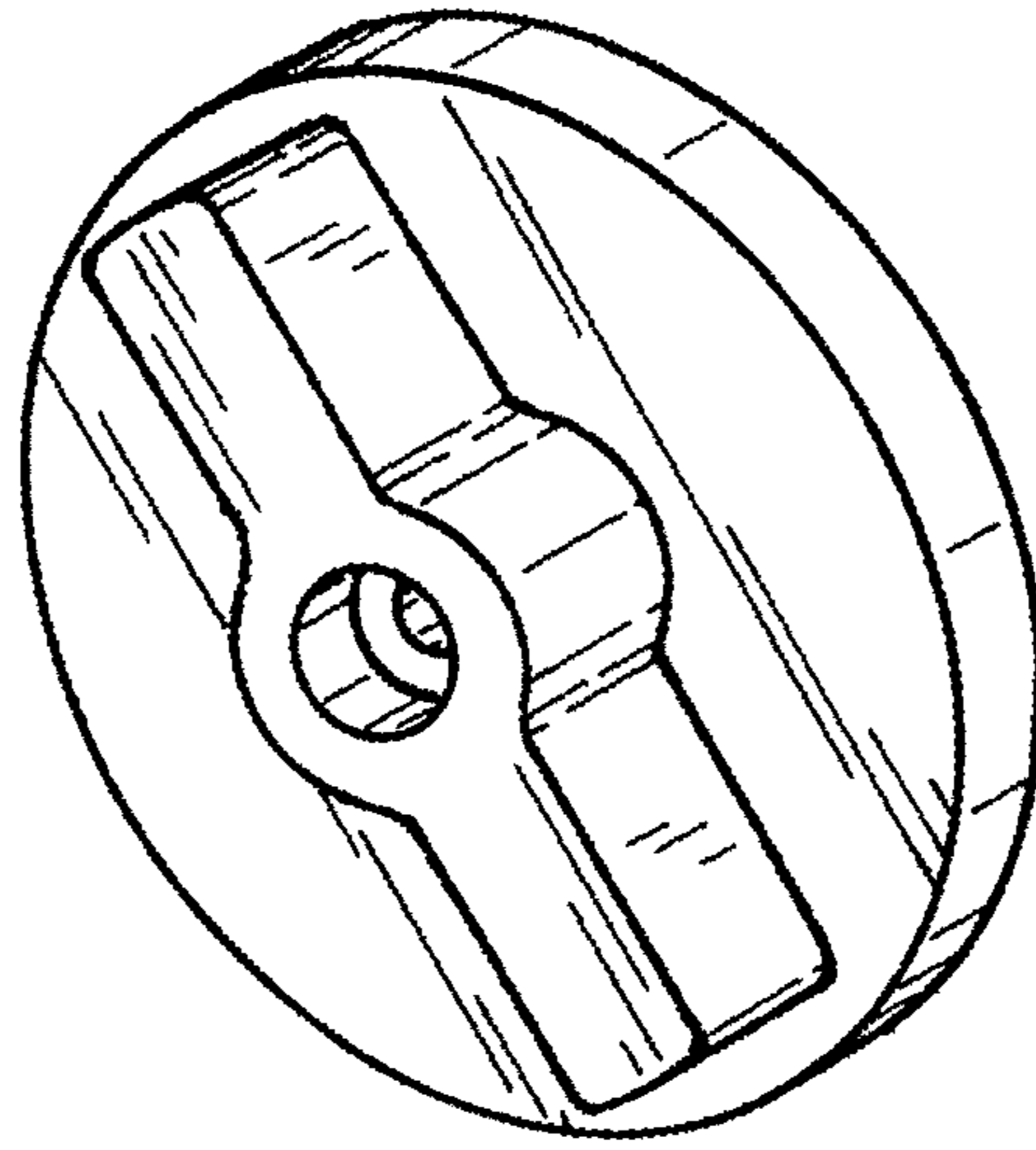


FIG. 1

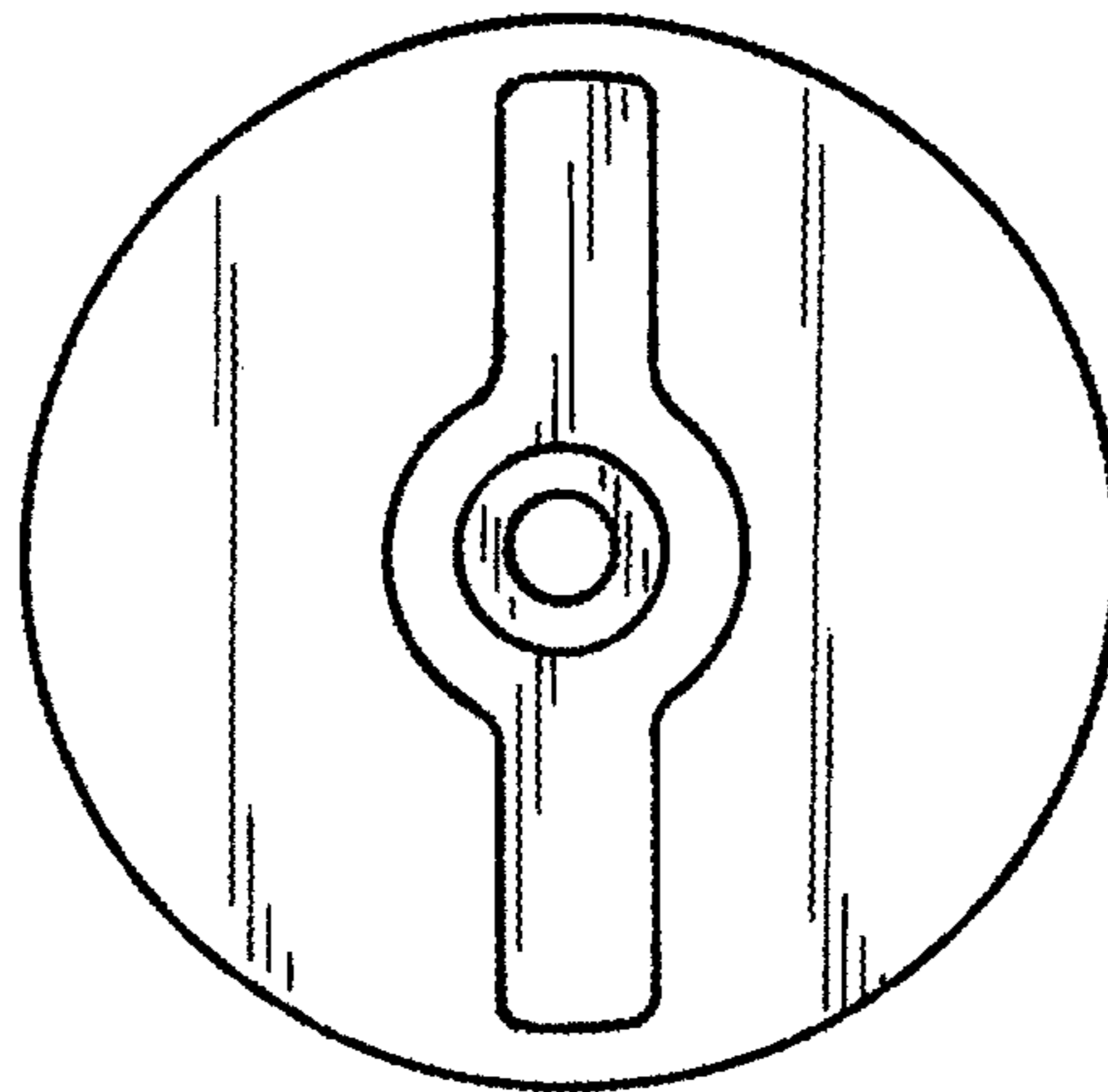


FIG. 2

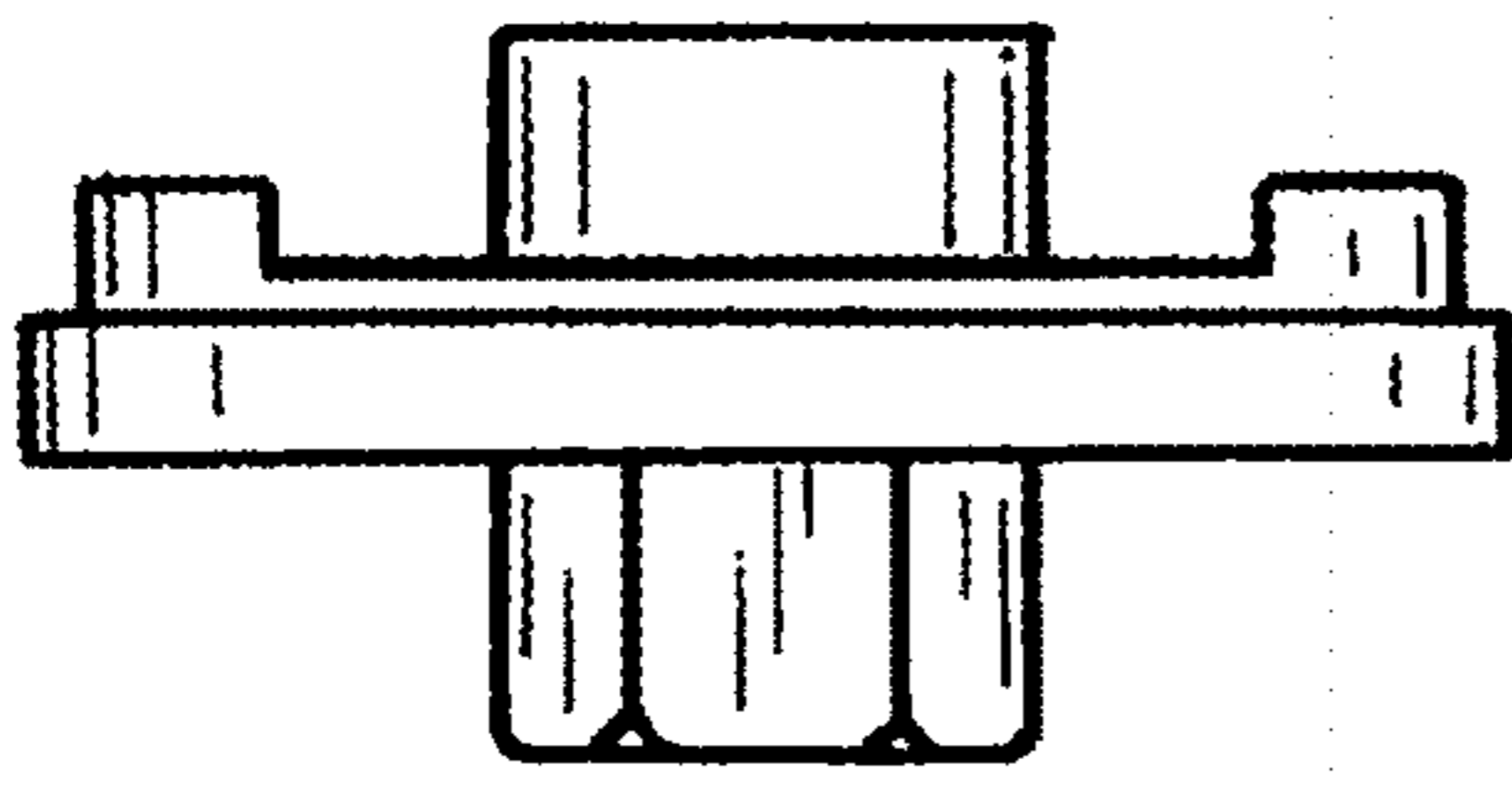


FIG.3

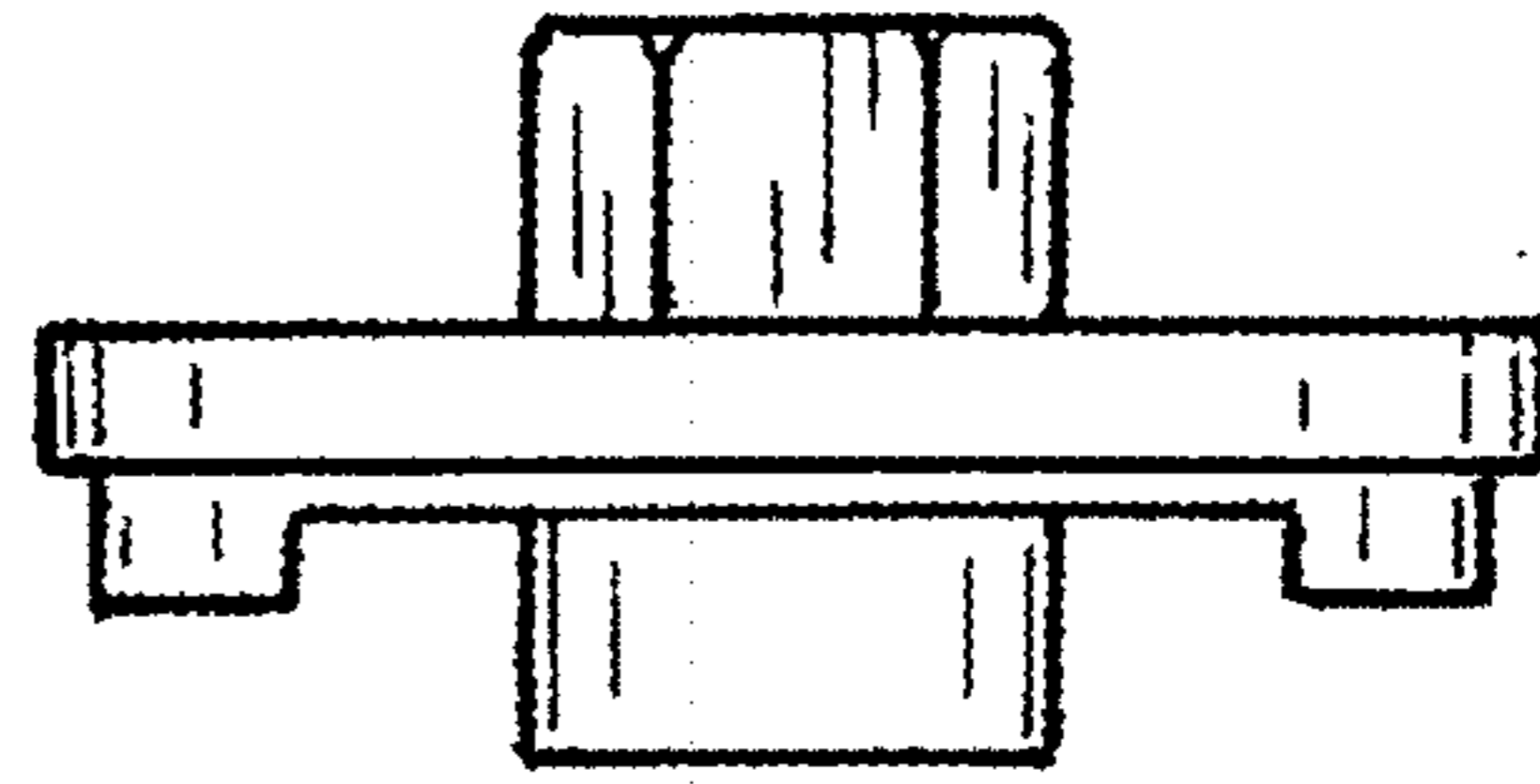


FIG.4

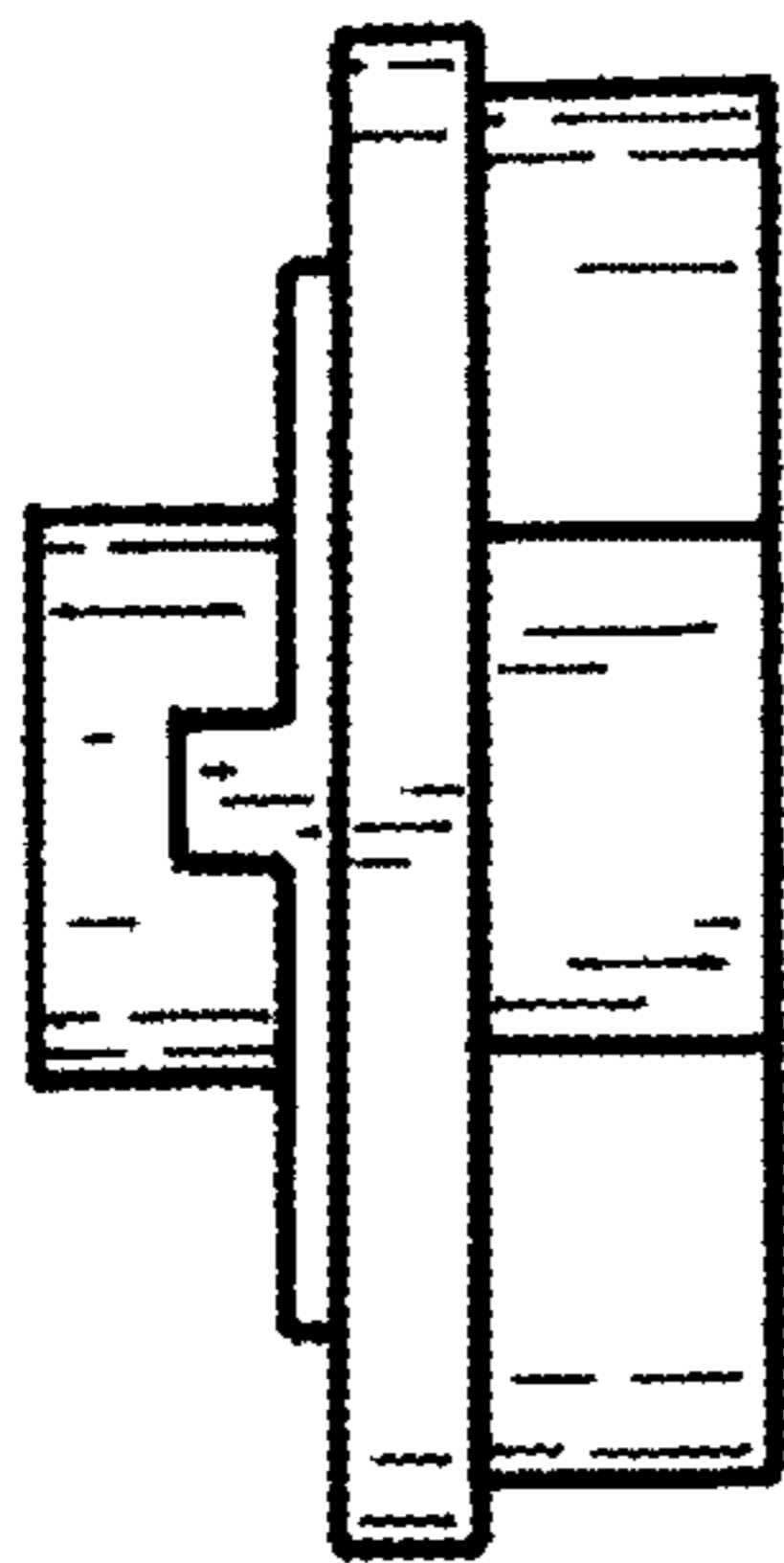


FIG.5

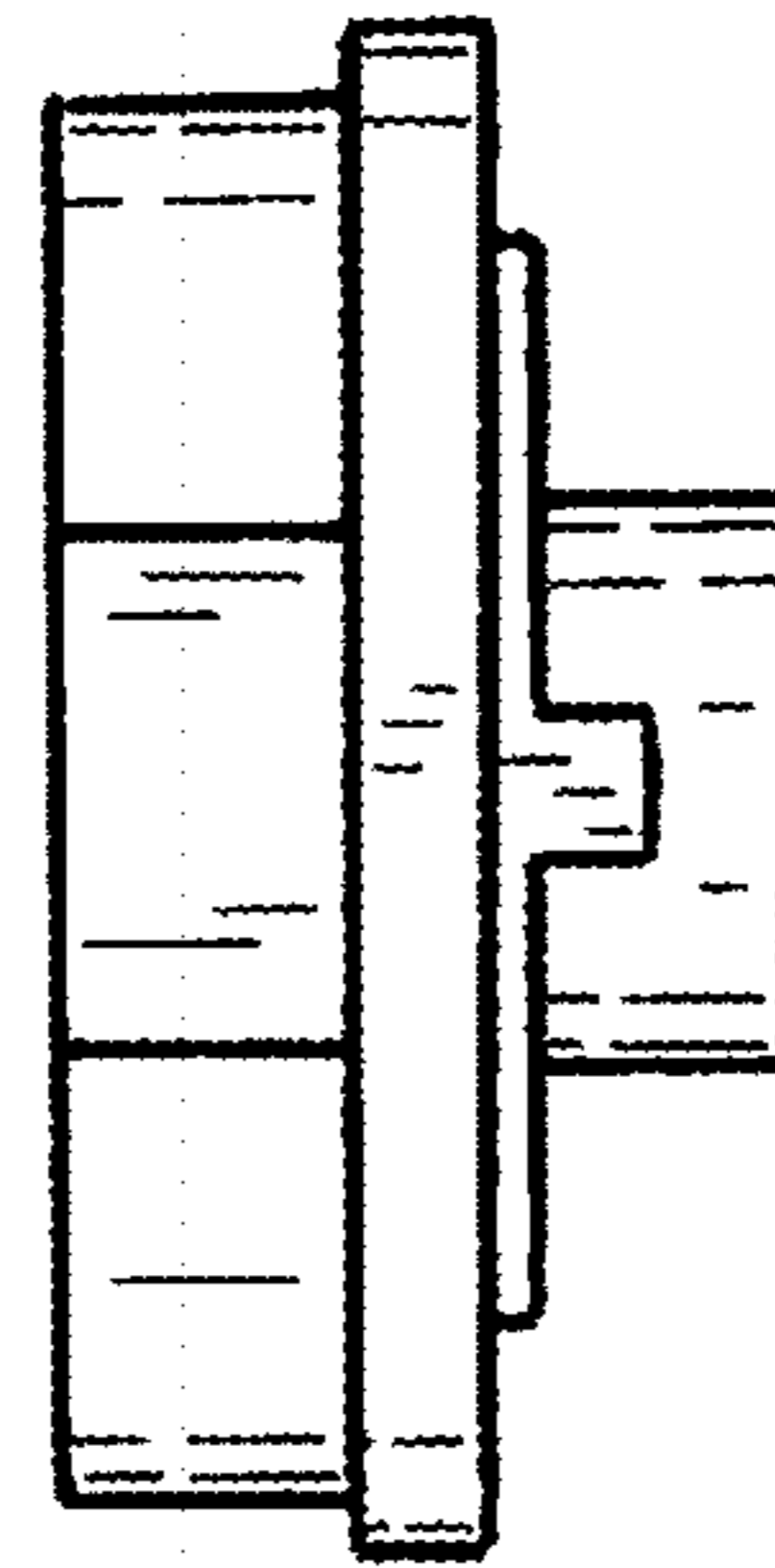


FIG.6

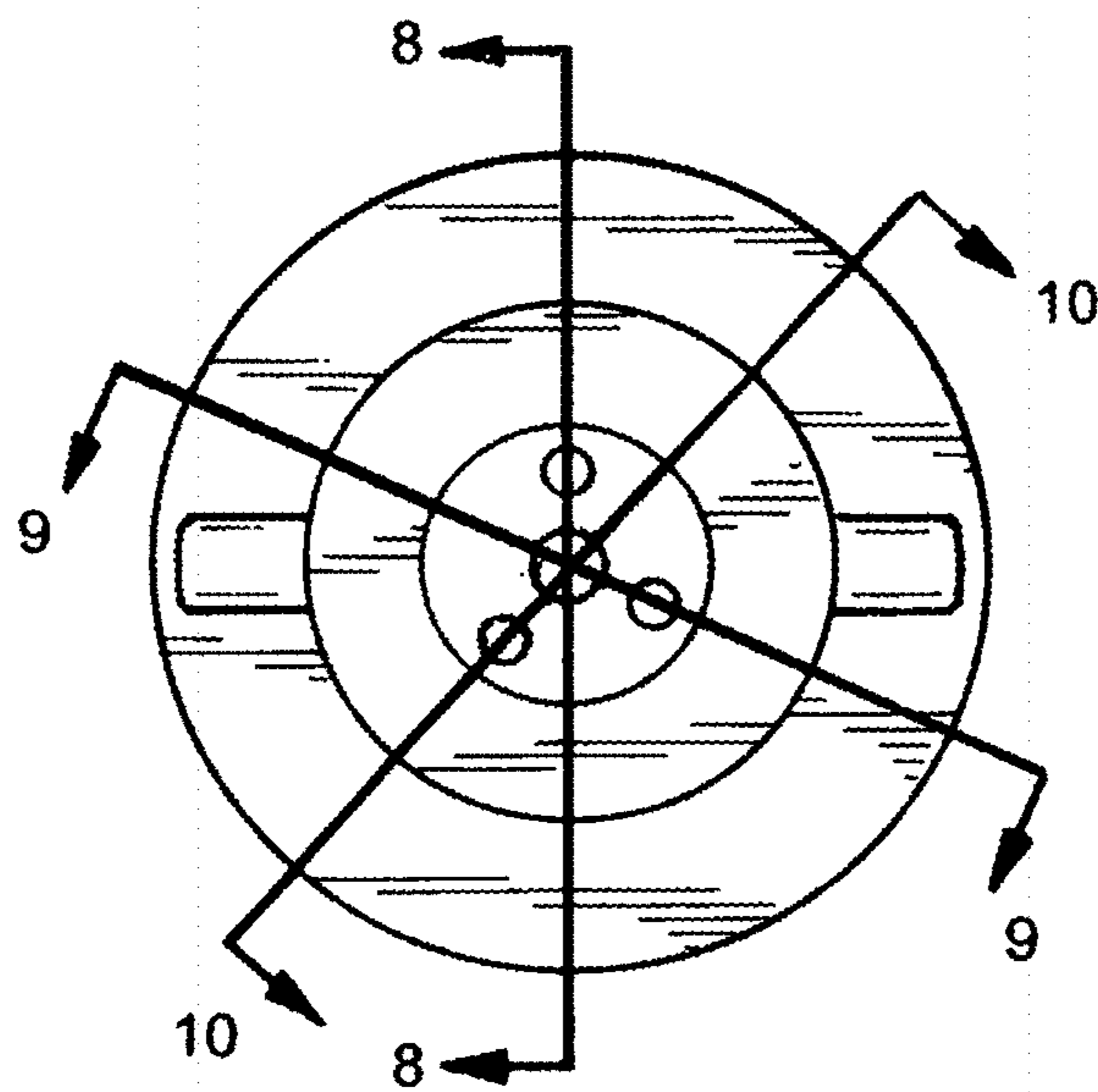


FIG.7

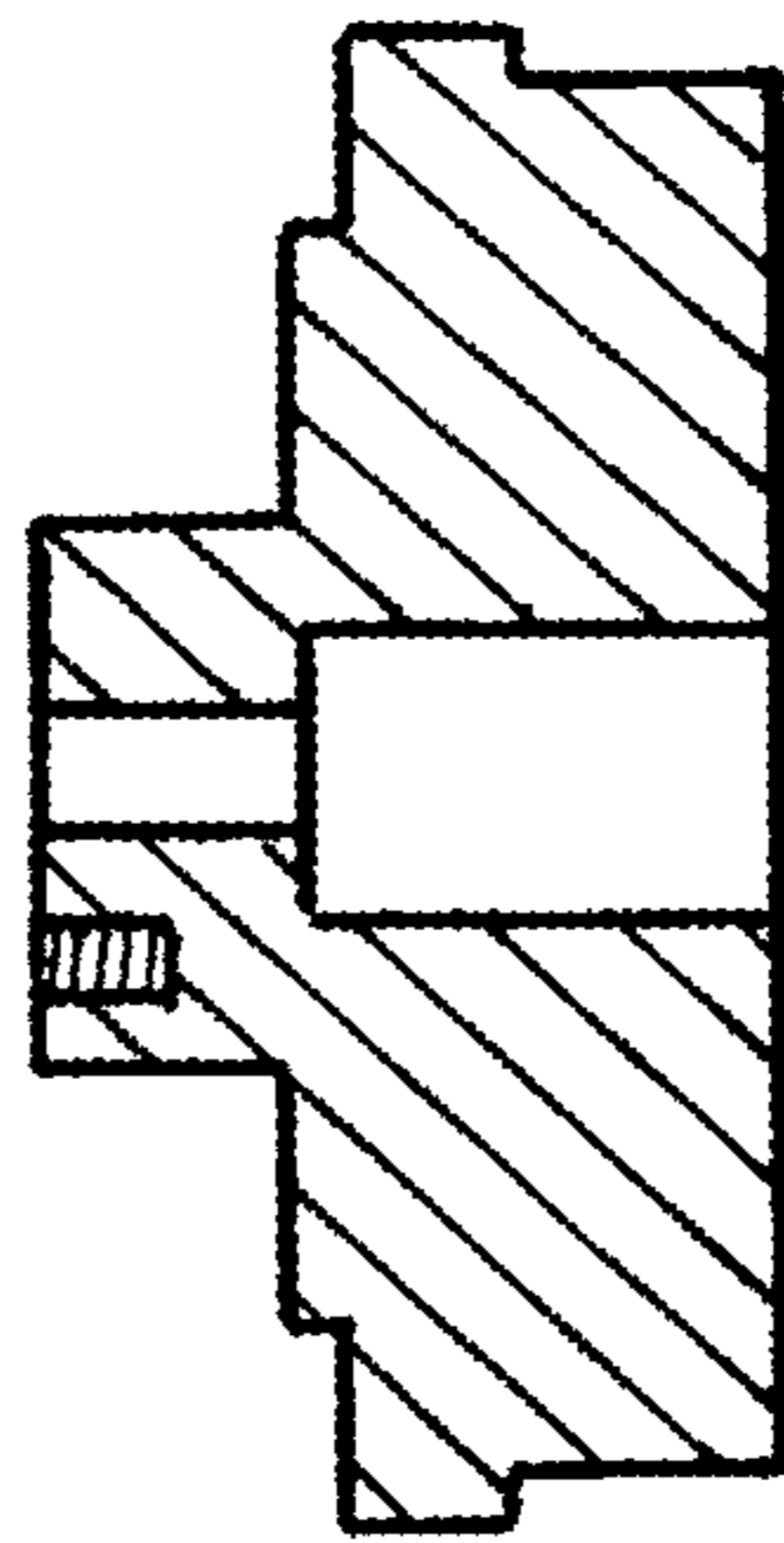


FIG. 8

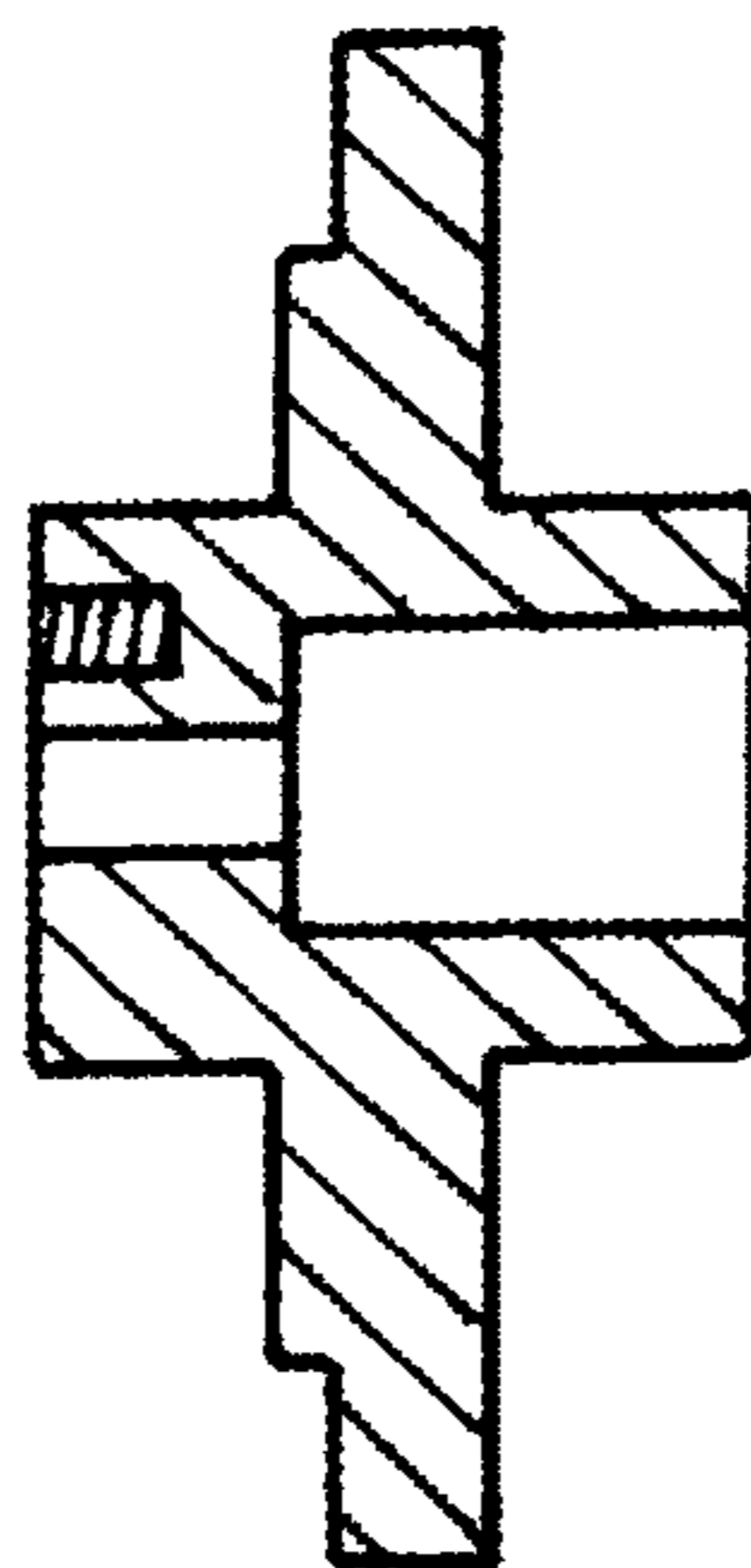


FIG. 9

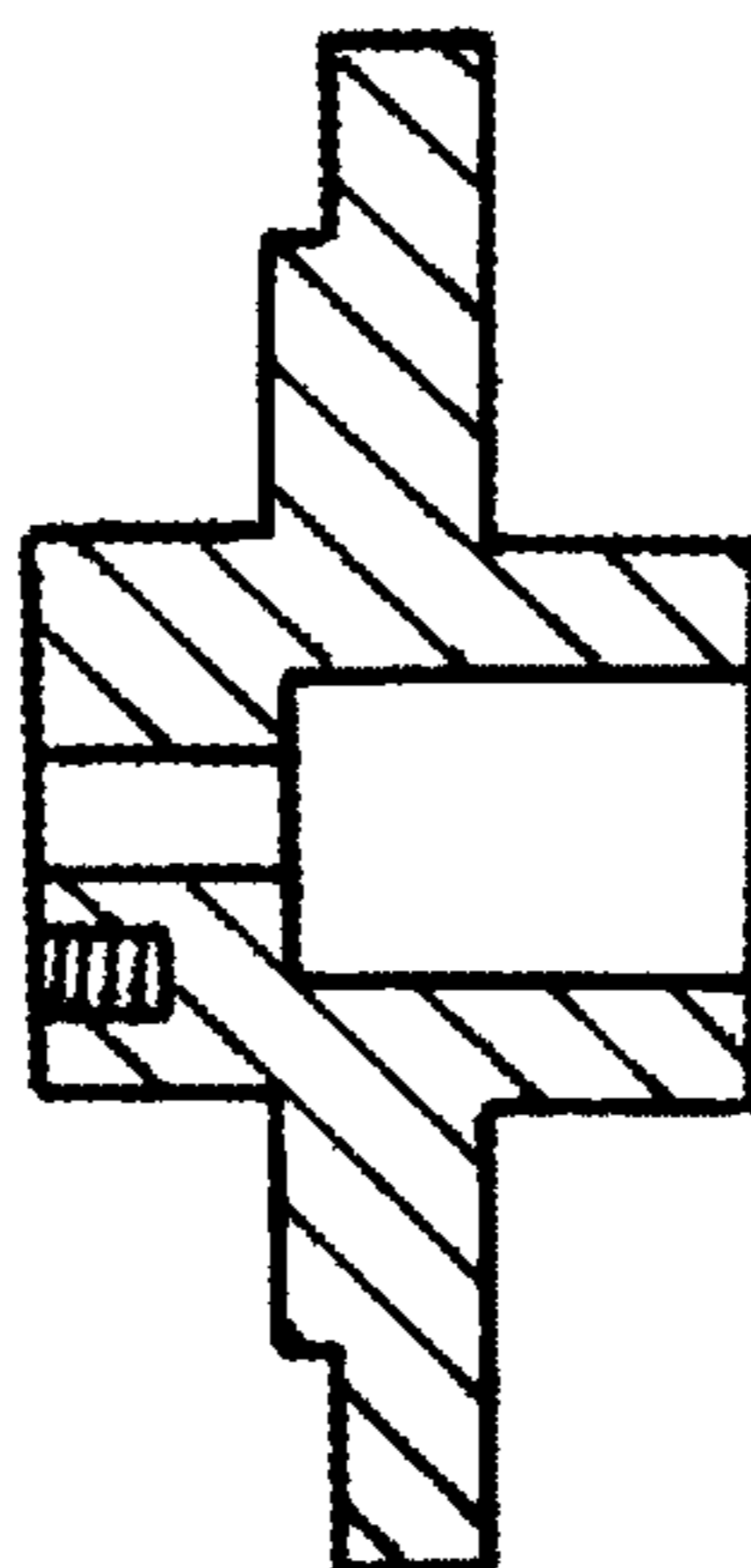


FIG. 10