

US00D869920S

(12) **United States Design Patent**
O'Brien

(10) **Patent No.:** **US D869,920 S**

(45) **Date of Patent:** **** Dec. 17, 2019**

(54) **FIN DISENGAGEMENT TOOL**

(71) Applicant: **Kristian Michael O'Brien**, Palm Beach (AU)

(72) Inventor: **Kristian Michael O'Brien**, Palm Beach (AU)

(**) Term: **15 Years**

(21) Appl. No.: **29/654,180**

(22) Filed: **Jun. 21, 2018**

(30) **Foreign Application Priority Data**

Apr. 24, 2018 (AU) 201812417

(51) **LOC (12) Cl.** **08-05**

(52) **U.S. Cl.**
USPC **D8/14; D8/88**

(58) **Field of Classification Search**
USPC D8/14, 17, 21, 88, 89, 105, 107; 81/3.09, 81/3.55, 177.2
CPC B63B 35/85; B25B 27/14; B25F 1/00; B25G 1/102
See application file for complete search history.

(56) **References Cited**

U.S. PATENT DOCUMENTS

4,304,019 A * 12/1981 Sava A43C 11/1413
223/113
4,660,446 A * 4/1987 Soltis B67B 7/403
81/3.4

5,056,273 A * 10/1991 Martel B24D 15/02
451/525
D338,815 S * 8/1993 Wintle, Jr. D8/21
D345,681 S * 4/1994 Bruzzi D8/14
D619,199 S * 7/2010 Purcell D22/199
D724,914 S * 3/2015 Tipp D8/40

* cited by examiner

Primary Examiner — Philip S Hyder

(74) *Attorney, Agent, or Firm* — Alston & Bird LLP

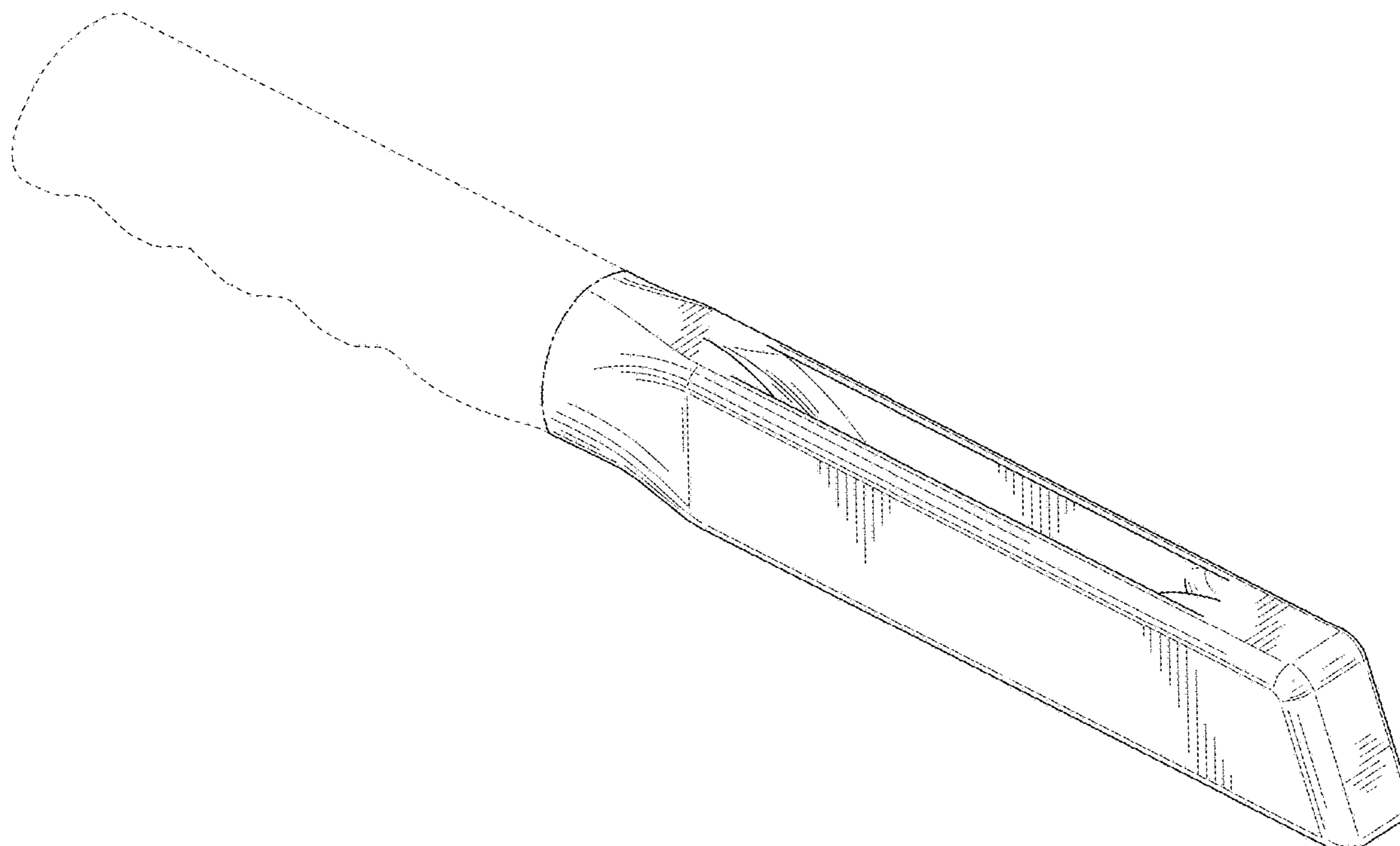
(57) **CLAIM**

The ornamental design for a fin disengagement tool, as shown and described.

DESCRIPTION

FIG. 1 is a top-side perspective view of a fin disengagement tool according to my new design;
FIG. 2 is a bottom-side perspective view thereof;
FIG. 3 is a front elevation view thereof;
FIG. 4 is a rear elevation view thereof;
FIG. 5 is a right side elevation view thereof;
FIG. 6 is a left side elevation view thereof;
FIG. 7 is a top elevation view thereof; and,
FIG. 8 is a bottom plan view thereof.
The broken lines showing in the views illustrate unclaimed portions of the fin disengagement tool and form no part of the claimed design.

1 Claim, 5 Drawing Sheets



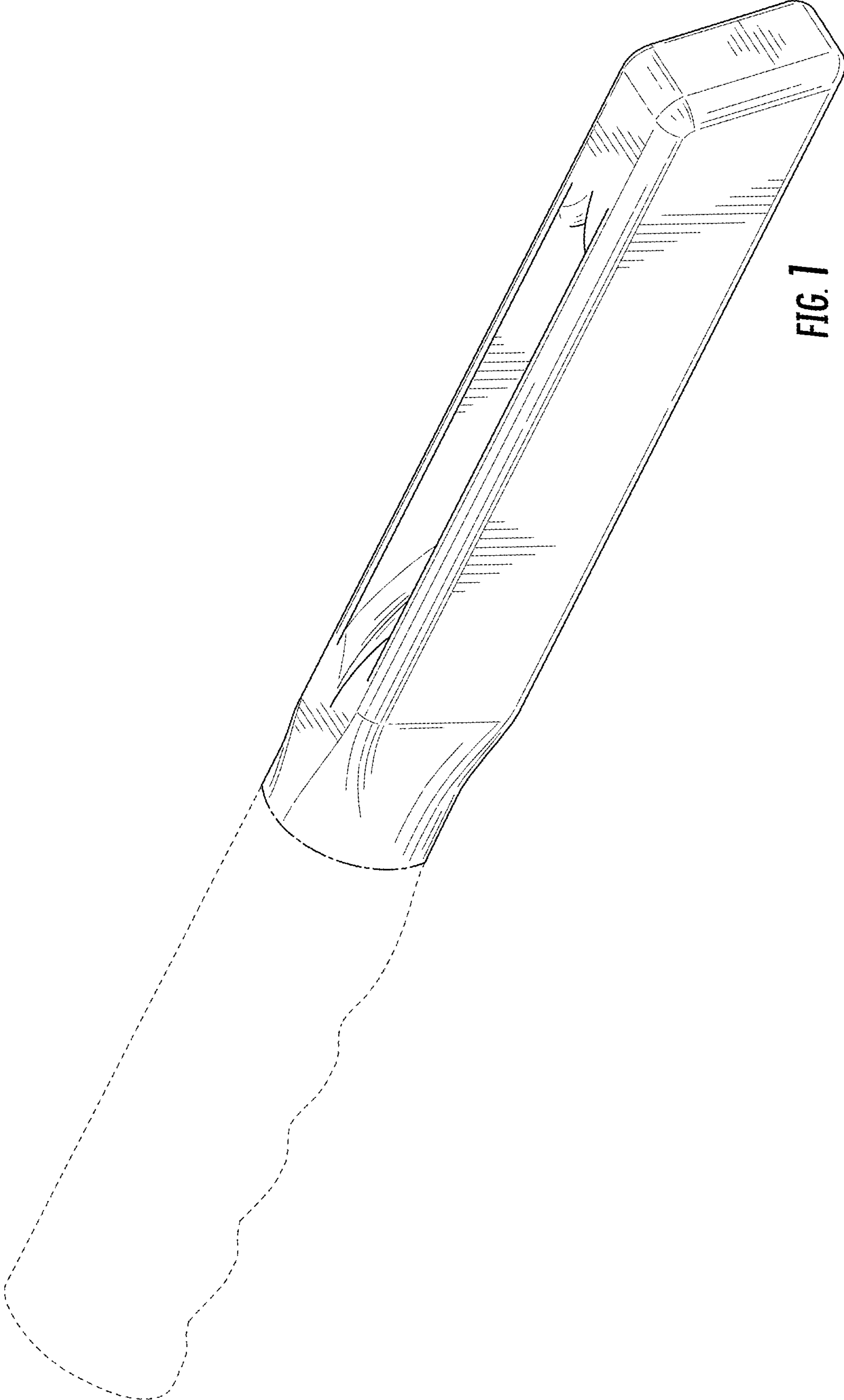


FIG. 1

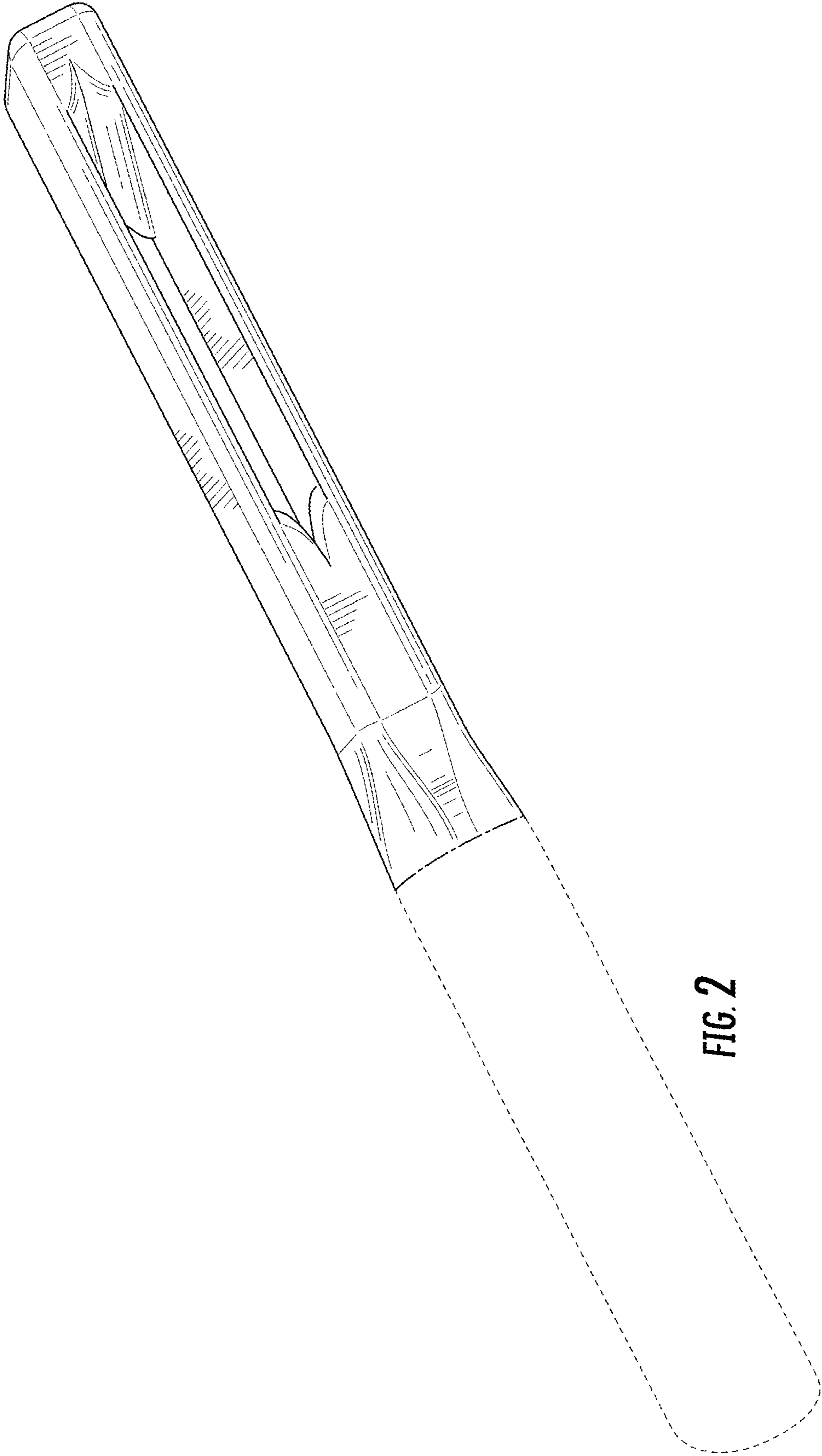


FIG. 2

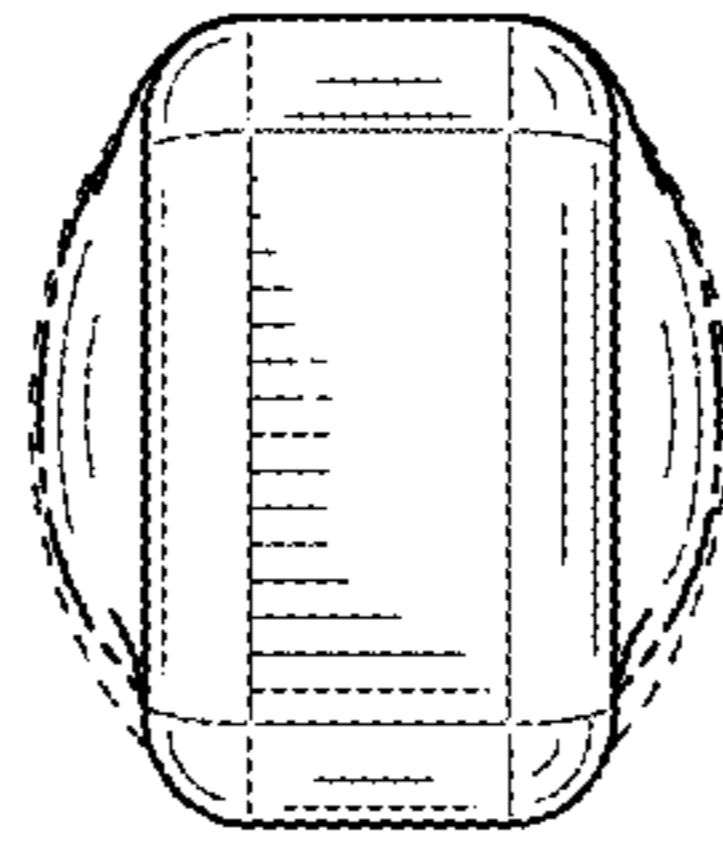


FIG. 3

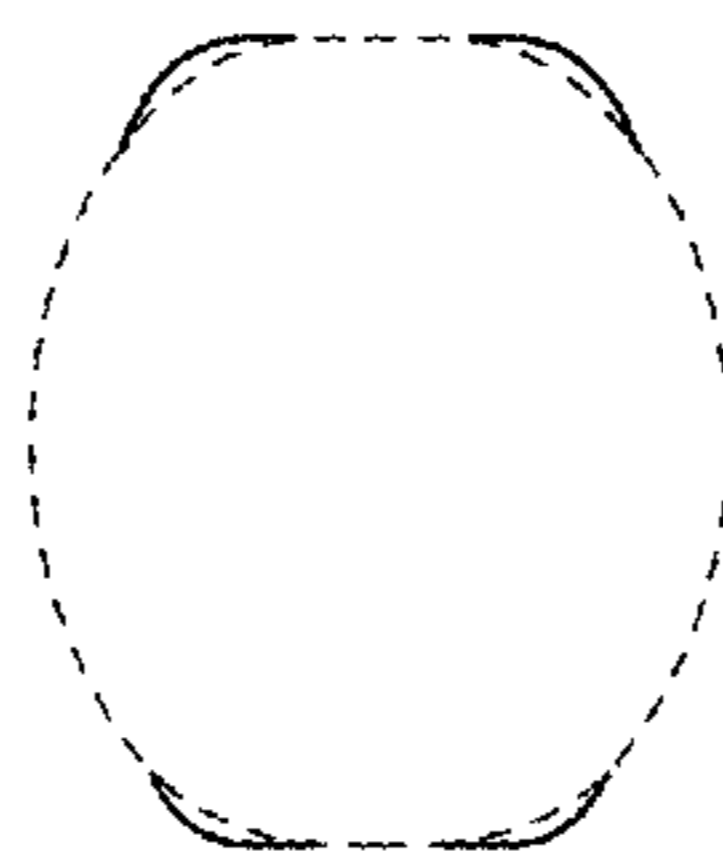


FIG. 4

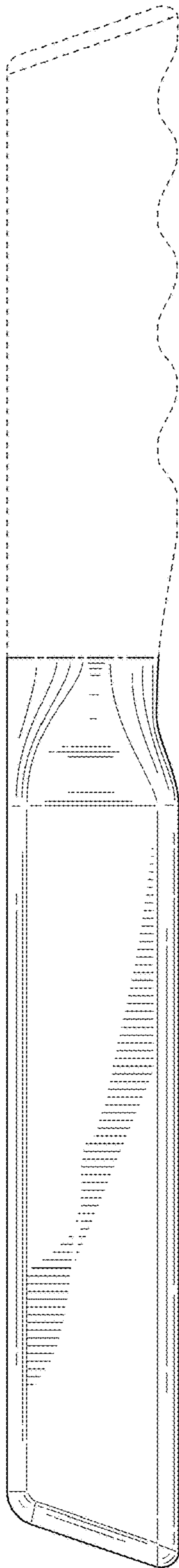


FIG. 5

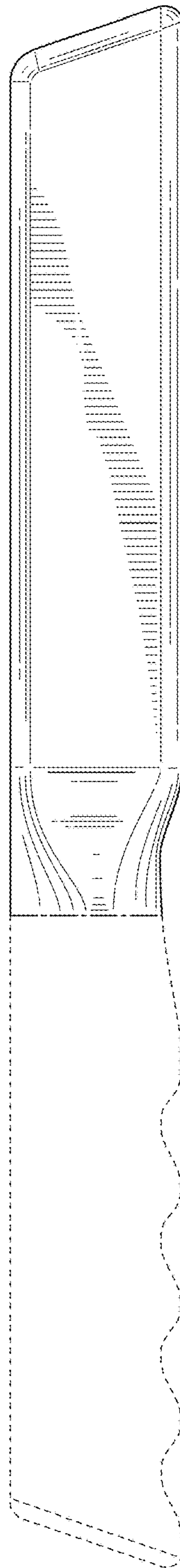


FIG. 6

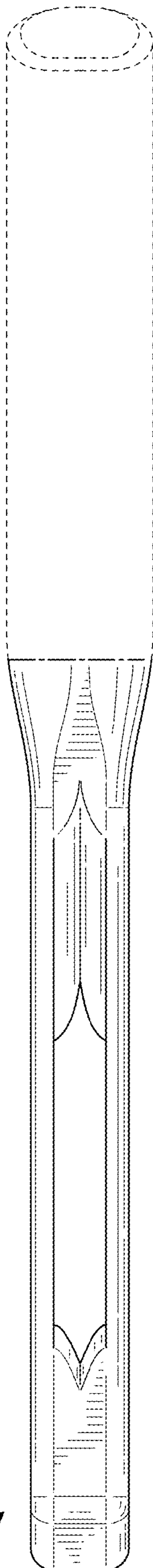


FIG. 7

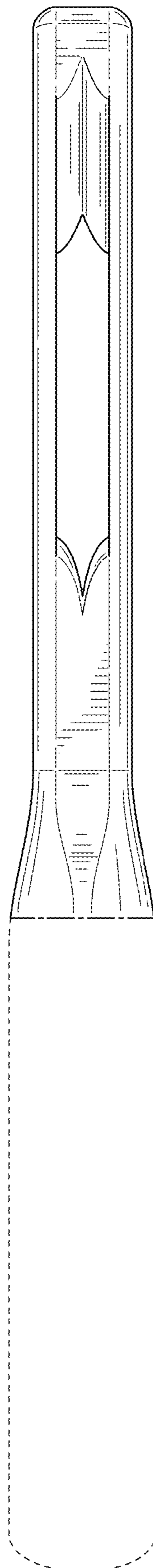


FIG. 8