



US00D869919S

(12) **United States Design Patent**
Tipton

(10) **Patent No.:** **US D869,919 S**

(45) **Date of Patent:** **** Dec. 17, 2019**

(54) **SPARE LINE HOLDER FOR A WEED TRIMMER**

(71) Applicant: **Justin Tipton**, Chattanooga, TN (US)

(72) Inventor: **Justin Tipton**, Chattanooga, TN (US)

(**) Term: **15 Years**

(21) Appl. No.: **29/690,319**

(22) Filed: **May 7, 2019**

Related U.S. Application Data

(63) Continuation of application No. 16/283,885, filed on Feb. 25, 2019.

(51) **LOC (12) Cl.** **08-01**

(52) **U.S. Cl.**

USPC **D8/8; D8/354**

(58) **Field of Classification Search**

USPC D8/8, 14, 71, 72, 349, 354, 355, 380, D8/381, 382, 394, 396, 499; D3/10, 303

CPC F16B 2/065; F16B 7/00; F16B 7/04; F16B 7/0446; F16B 7/0486; F16L 3/02; F16L 3/10; F16L 3/1016; F16L 3/1025; F16M 13/02; F16M 13/022; A01D 34/866; A01D 34/90; A01D 34/416; A01D 34/4166; A01D 34/40; A01D 34/001; A01D 43/16; A01D 75/008; A01D 2101/00; A01G 3/062

See application file for complete search history.

(56) **References Cited**

U.S. PATENT DOCUMENTS

- D302,518 S * 8/1989 Ellison D8/354
- 4,865,240 A * 9/1989 Moreschi A01D 75/008
224/401
- D349,022 S * 7/1994 Kiyooka D8/8
- D359,817 S * 6/1995 Leveika D26/138
- 5,634,619 A * 6/1997 Alessi A47B 57/565
248/219.3
- D389,334 S * 1/1998 Attridge D3/10

- D422,885 S * 4/2000 Marino D8/354
- 6,494,427 B1 * 12/2002 Smith A01D 34/001
224/401
- D470,400 S * 2/2003 Fraser D8/396
- D551,862 S * 10/2007 Gerry D3/300
- D563,769 S * 3/2008 Short D8/354
- D761,084 S * 7/2016 Cox D8/354
- D761,085 S * 7/2016 Cox D8/354
- D778,695 S * 2/2017 Marken D8/8
- D800,536 S * 10/2017 Kelley D8/354
- D845,110 S * 4/2019 Cox D8/354
- 2012/0211627 A1 * 8/2012 Lee H01Q 1/1228
248/316.5

* cited by examiner

Primary Examiner — Sandra S Snapp

Assistant Examiner — Ieisha N Price

(74) *Attorney, Agent, or Firm* — Frank Marino

(57) **CLAIM**

The ornamental design for a spare line holder for a weed trimmer, as shown and described.

DESCRIPTION

FIG. 1 is a right side view of a spare line holder for a weed trimmer according to my new design;

FIG. 2 is a rear view of the spare line holder for a weed trimmer of FIG. 1;

FIG. 3 is a bottom view of the spare line holder for a weed trimmer of FIG. 1;

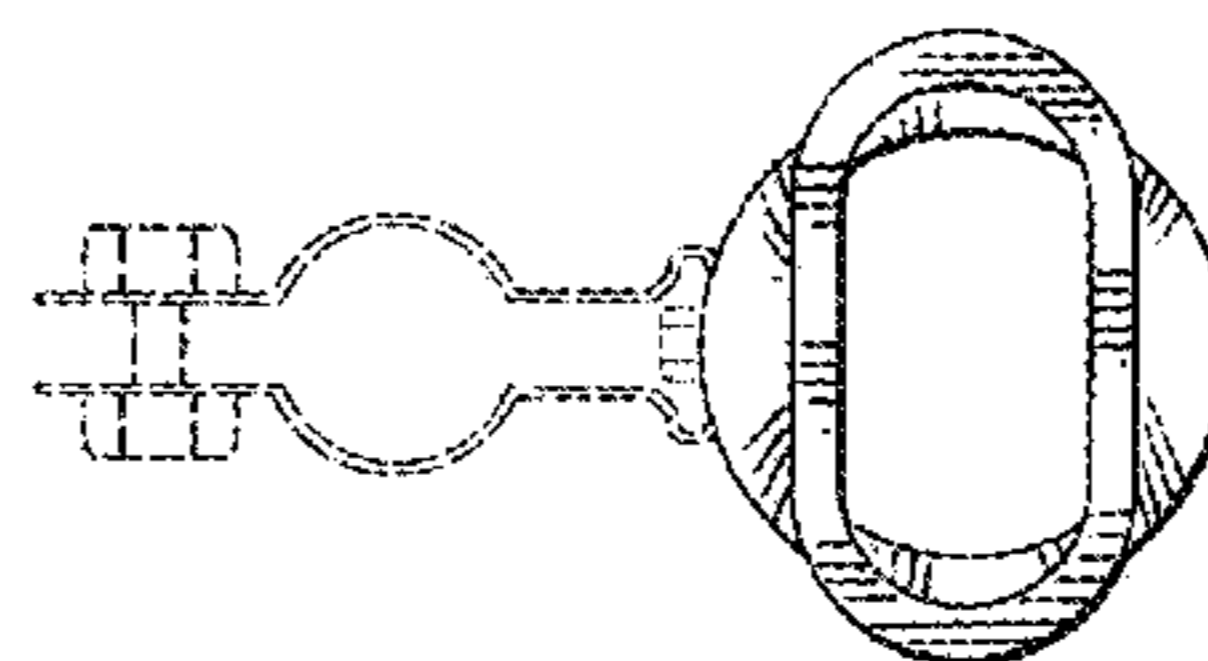
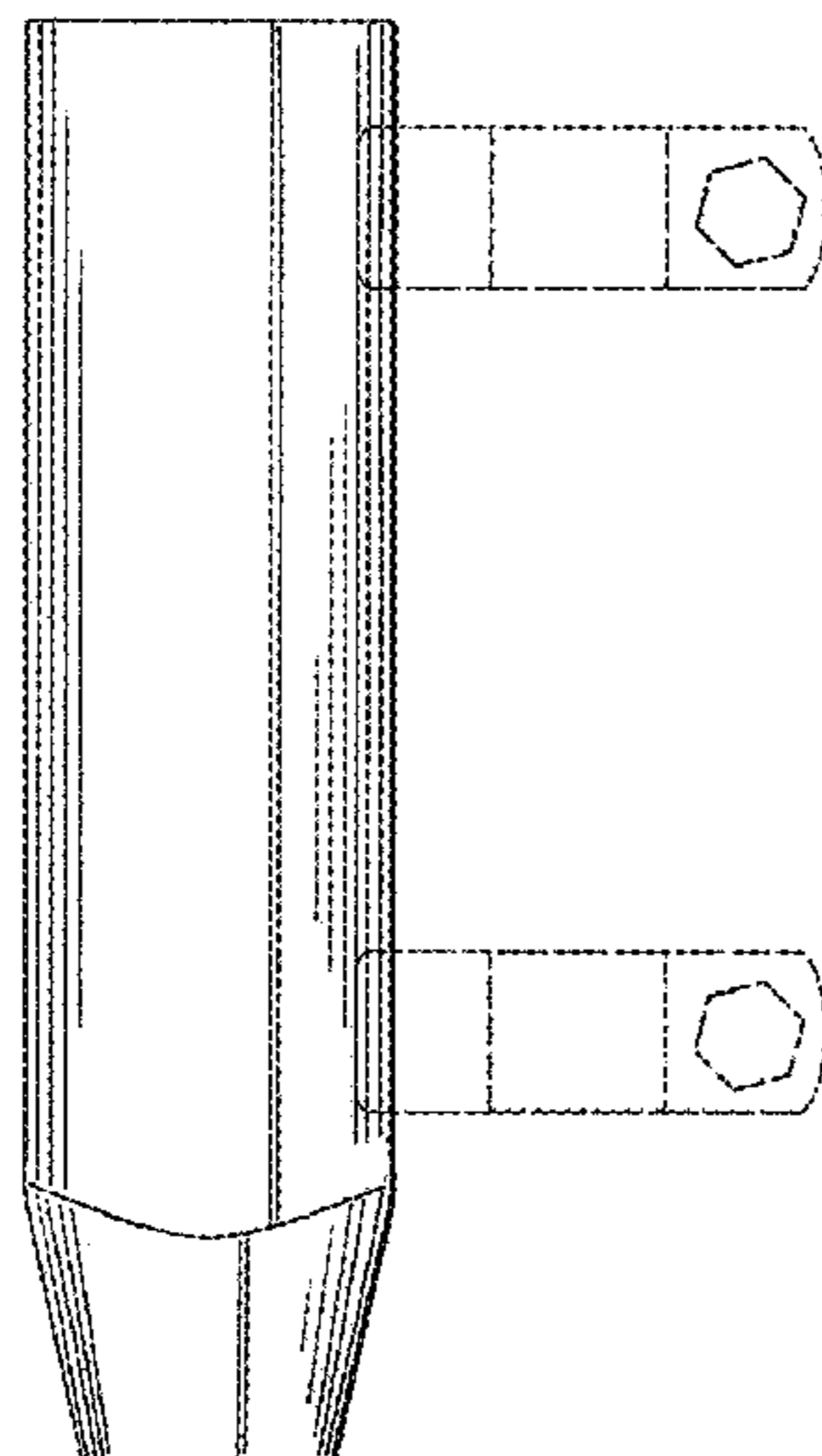
FIG. 4 is a top view of the spare line holder for a weed trimmer of FIG. 1;

FIG. 5 is a left side view of the spare line holder for a weed trimmer of FIG. 1; and,

FIG. 6 is a front view of the spare line holder for a weed trimmer of FIG. 1.

The broken line showing of the brackets in FIGS. 1-5 illustrates the environment of the claimed design and forms no part thereof.

1 Claim, 2 Drawing Sheets



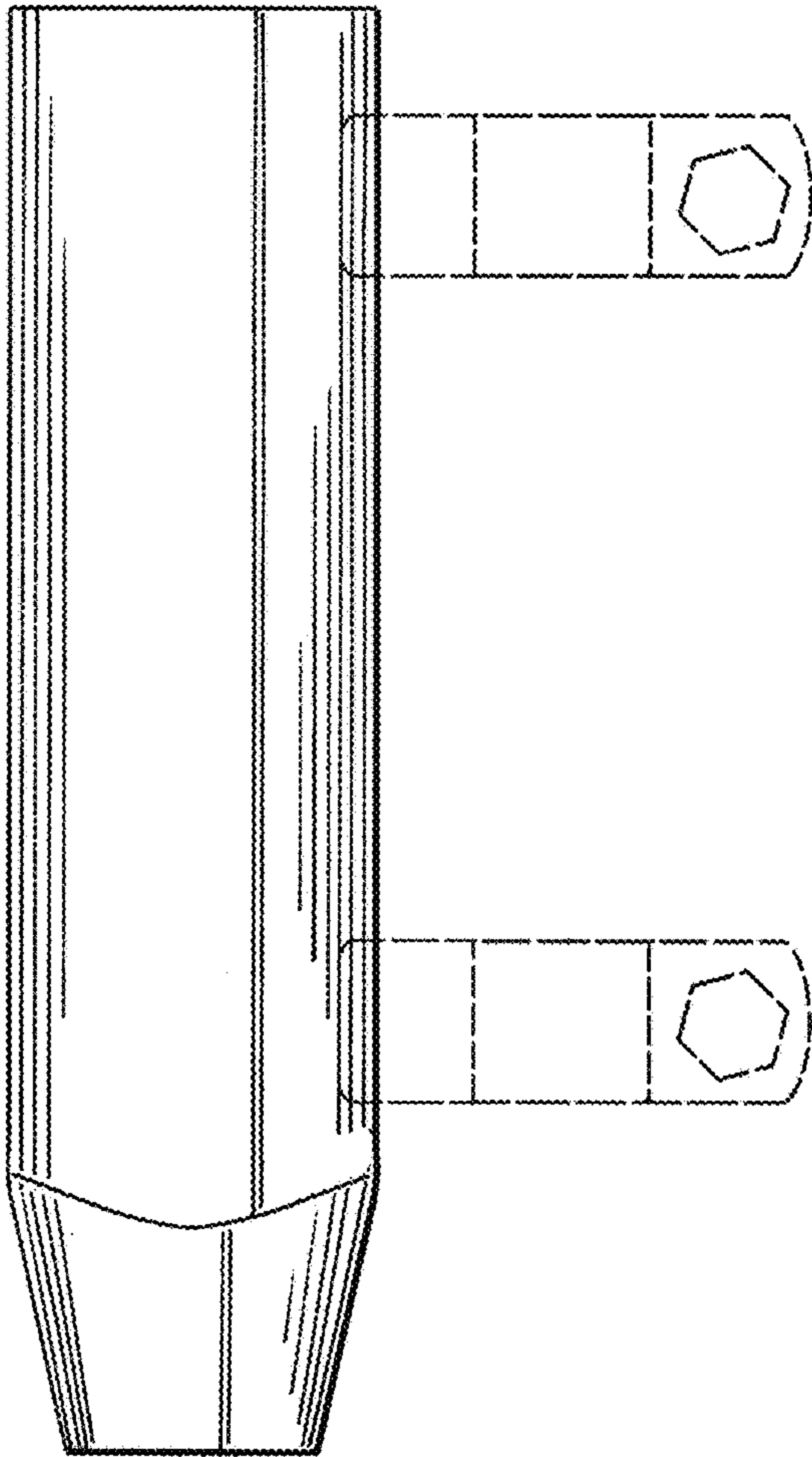


Fig. 1

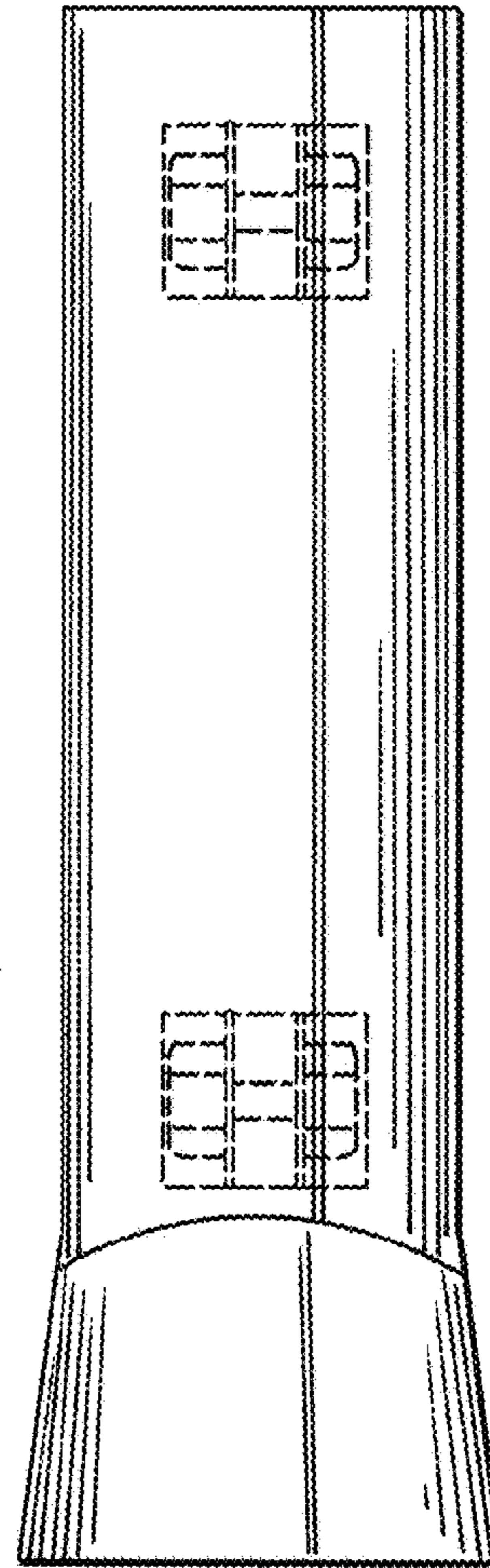


Fig. 2

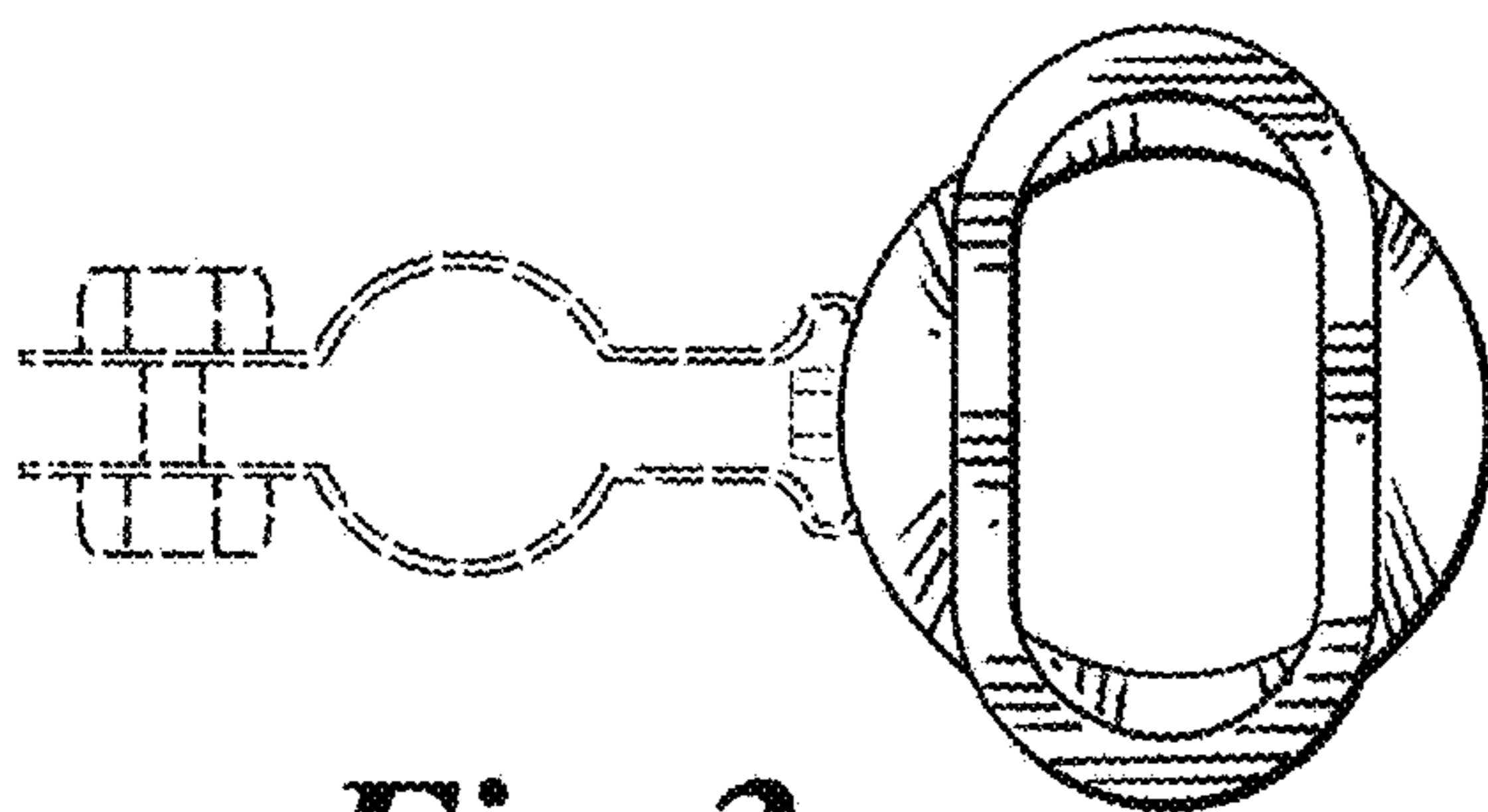


Fig. 3

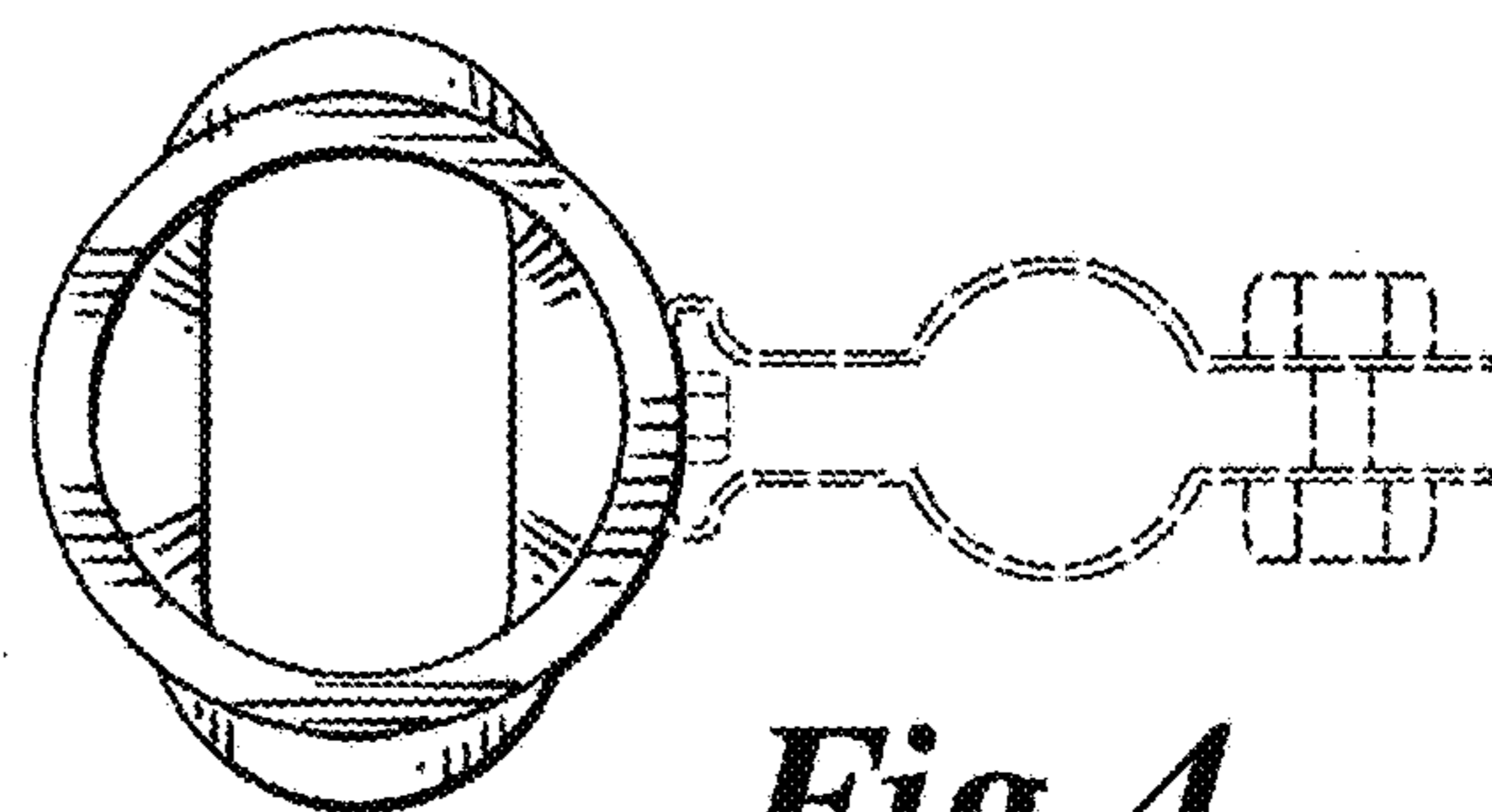


Fig. 4

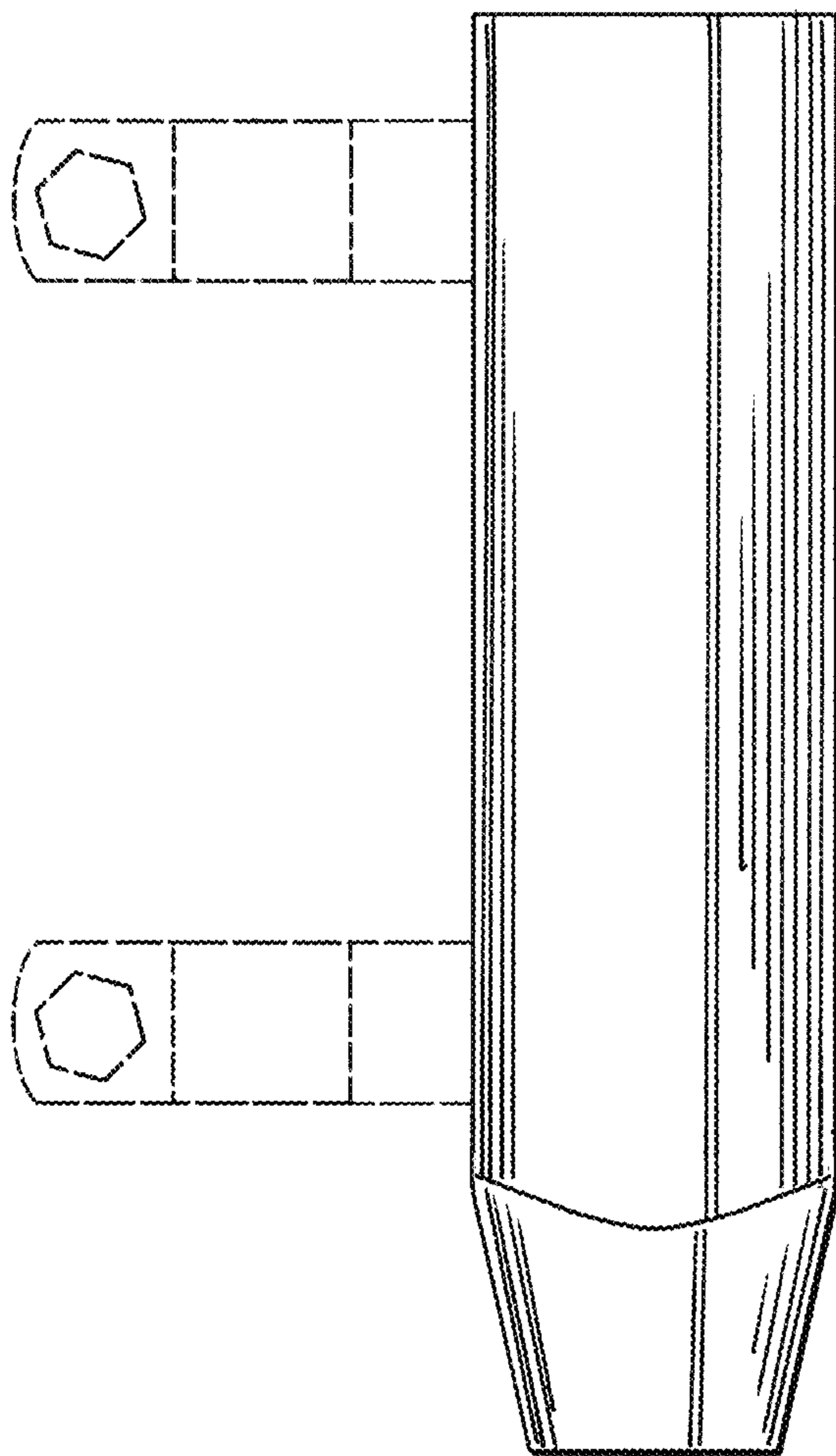


Fig. 5

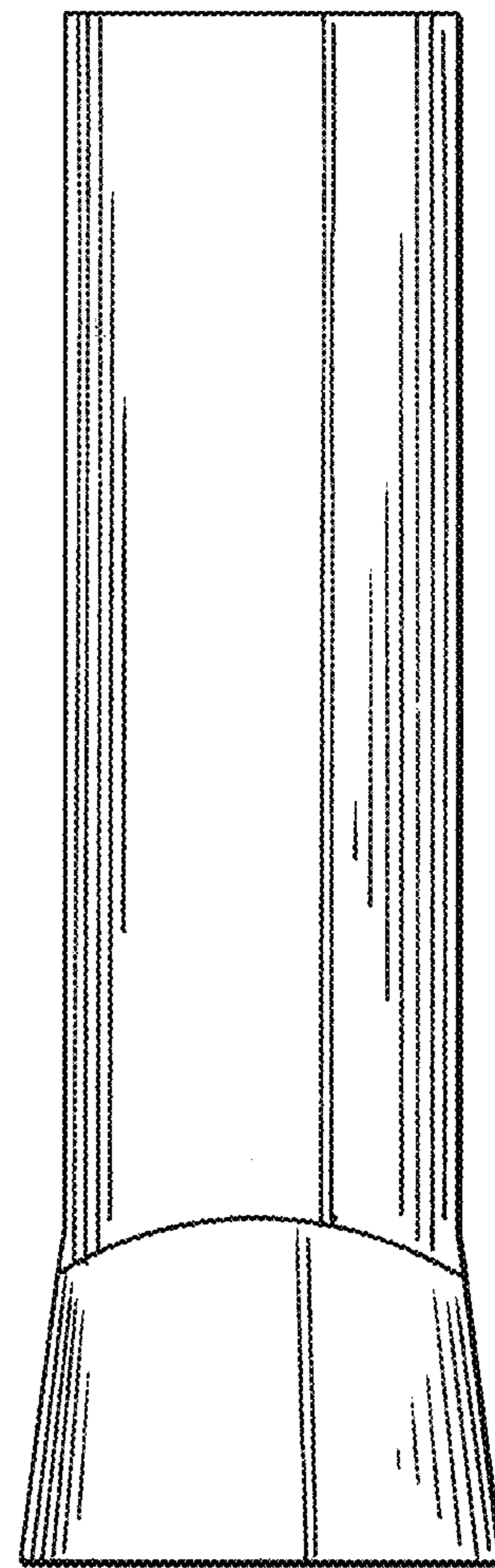


Fig. 6