



US00D869916S

(12) **United States Design Patent**
Megrali

(10) **Patent No.:** **US D869,916 S**

(45) **Date of Patent:** **** Dec. 17, 2019**

(54) **PASTRY MOLD**

(71) Applicant: **Natali Megrali**, Petah Tikva (IL)

(72) Inventor: **Natali Megrali**, Petah Tikva (IL)

(**) Term: **15 Years**

(21) Appl. No.: **29/552,356**

(22) Filed: **Jan. 21, 2016**

(30) **Foreign Application Priority Data**

Jul. 22, 2015 (IL) 57217

(51) **LOC (12) Cl.** **07-04**

(52) **U.S. Cl.**
USPC **D7/672; D7/354**

(58) **Field of Classification Search**
USPC D7/672-677, 354, 693-696, 678; D15/90
CPC A23G 9/221; A23G 9/26; A23G 9/503;
A23G 9/083; A23G 3/0268; A23G
3/0284; A23P 30/10
See application file for complete search history.

(56) **References Cited**

U.S. PATENT DOCUMENTS

D32,756 S * 5/1900 Hubert D7/672
2,003,432 A * 6/1935 Finch A23G 3/0284
249/79
D227,428 S * 6/1973 Di Lorenzo D7/674

D235,404 S * 6/1975 Swett D7/677
5,366,201 A * 11/1994 Diaz A23G 3/0268
249/117
D369,717 S * 5/1996 Chiba D7/354

* cited by examiner

Primary Examiner — Brett Miller

(74) *Attorney, Agent, or Firm* — Dorsey & Whitney LLP

(57) **CLAIM**

The ornamental design for a pastry mold, as shown and described.

DESCRIPTION

FIG. 1 is a perspective view of a first part of a mold, according to a new design;

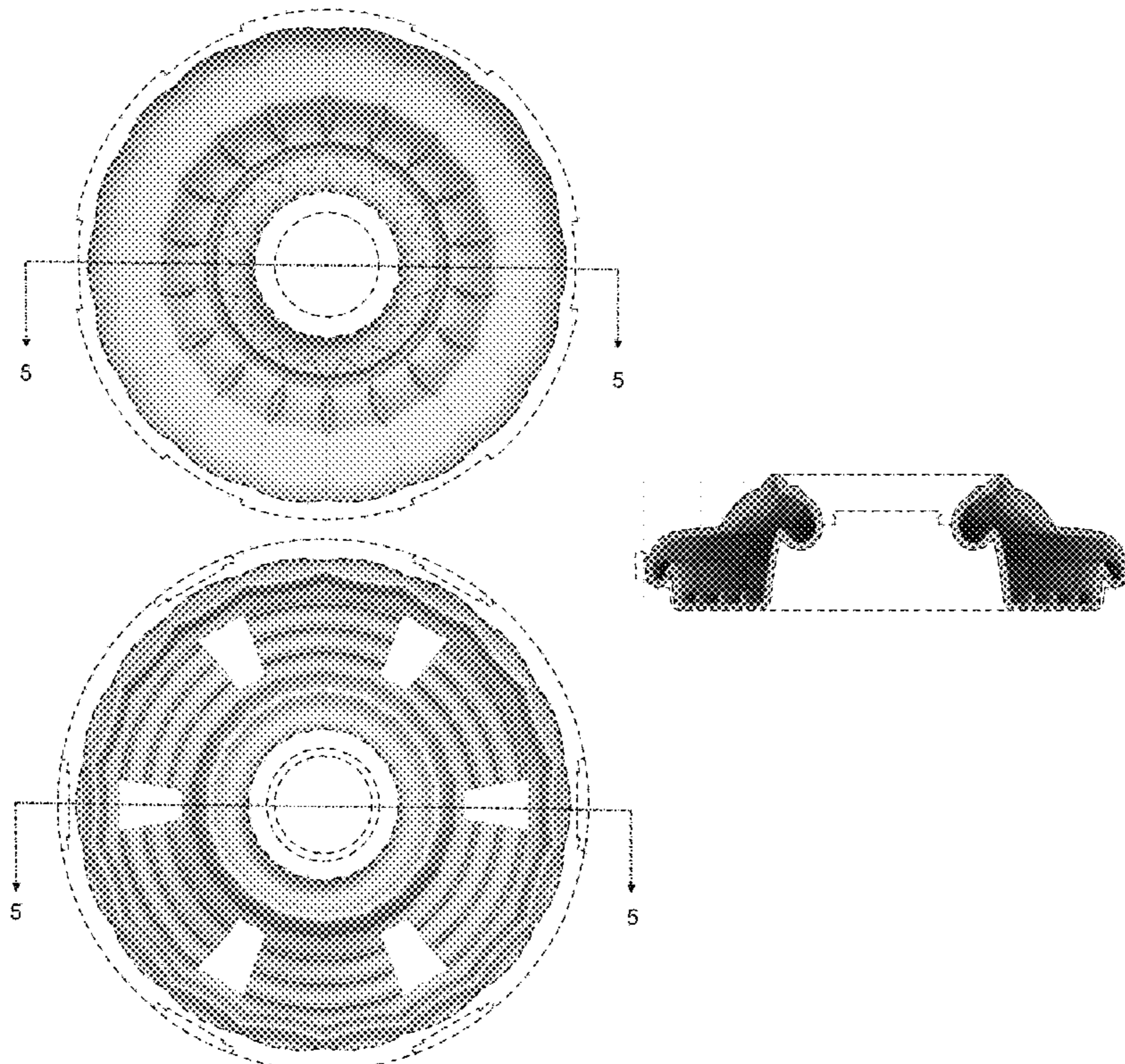
FIG. 2 is a perspective view of a second part of the mold; FIG. 3 is an exploded view, showing the two parts of the mold shown in FIGS. 1 and 2, at a side view;

FIG. 4 is an exploded view, showing the two parts of the mold shown in FIGS. 1 and 2; the top part is shown from the bottom view, and the bottom view is shown from the top; FIG. 5 is a sectional view of the mold shown in FIGS. 1 and 2 at an exploded position from the side taken along line 5-5 shown in FIG. 4; and,

FIG. 6 is a sectional view of the mold shown in FIGS. 1 and 2 at a closed position from the side taken along line 5-5 shown in FIG. 4.

The dash-dot broken lines depict the boundaries of the claimed design and form no part of the claimed design. The even broken lines depict environment and form no part of the claimed design.

1 Claim, 6 Drawing Sheets



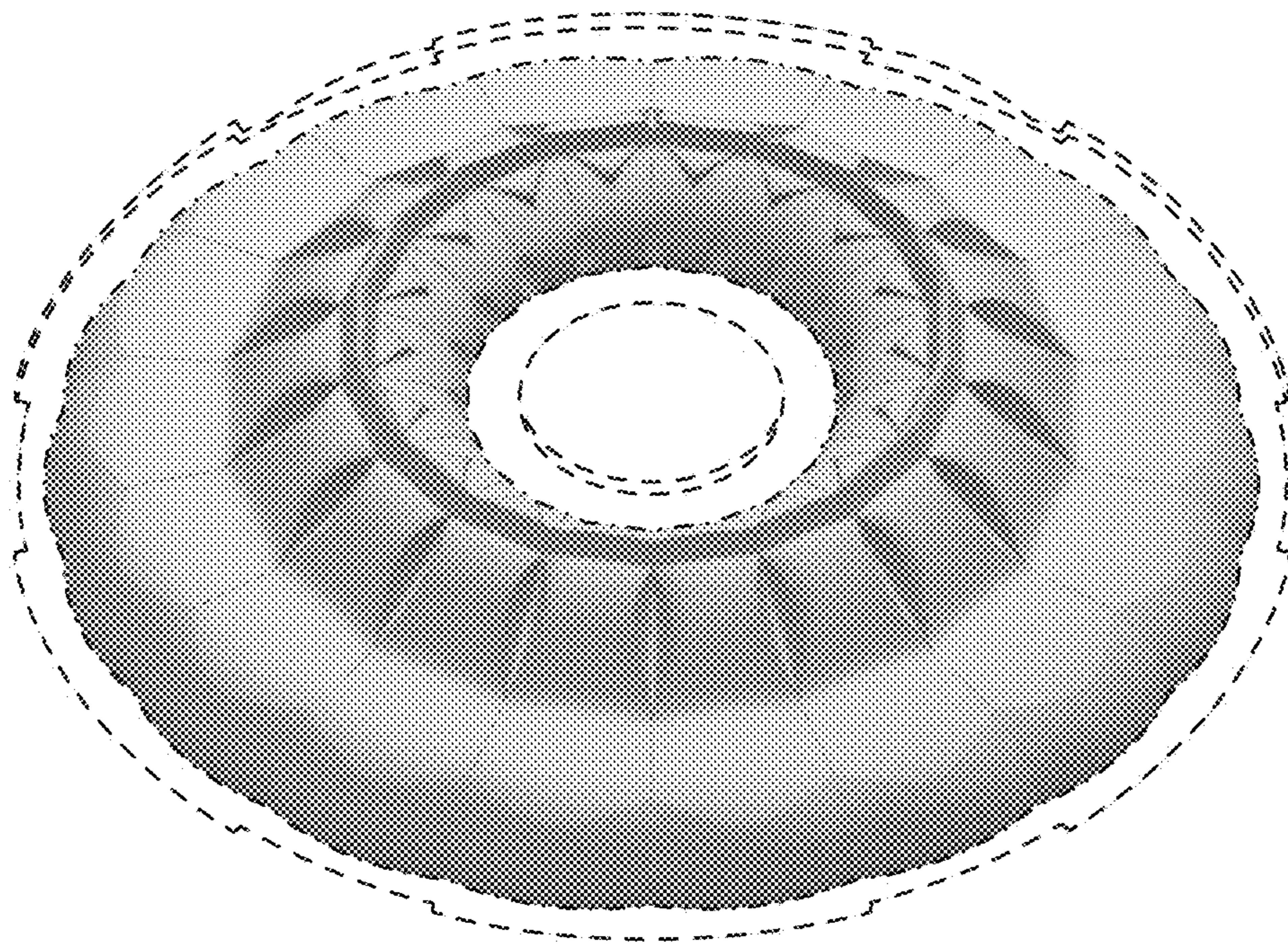


FIG. 1

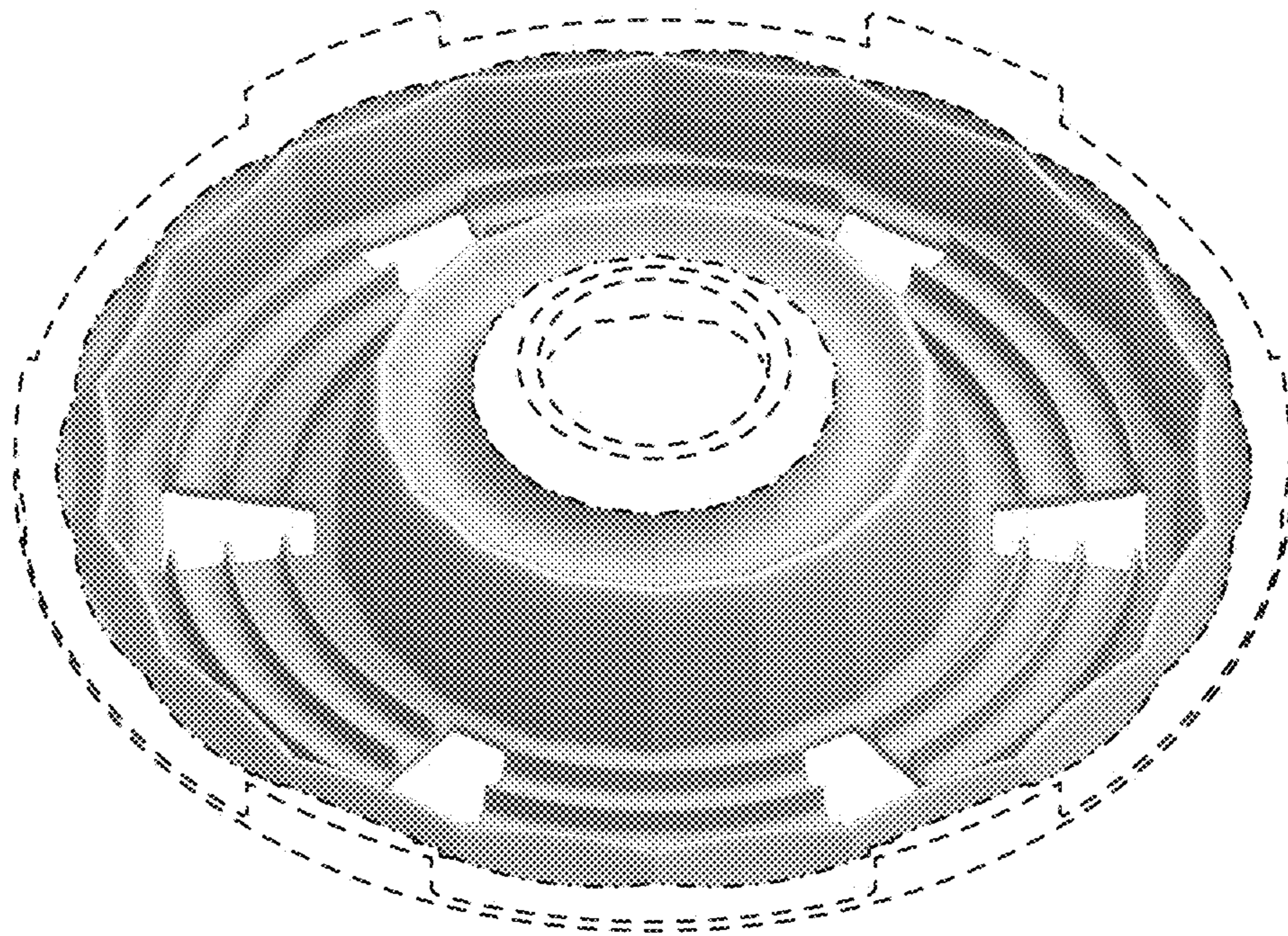


FIG. 2

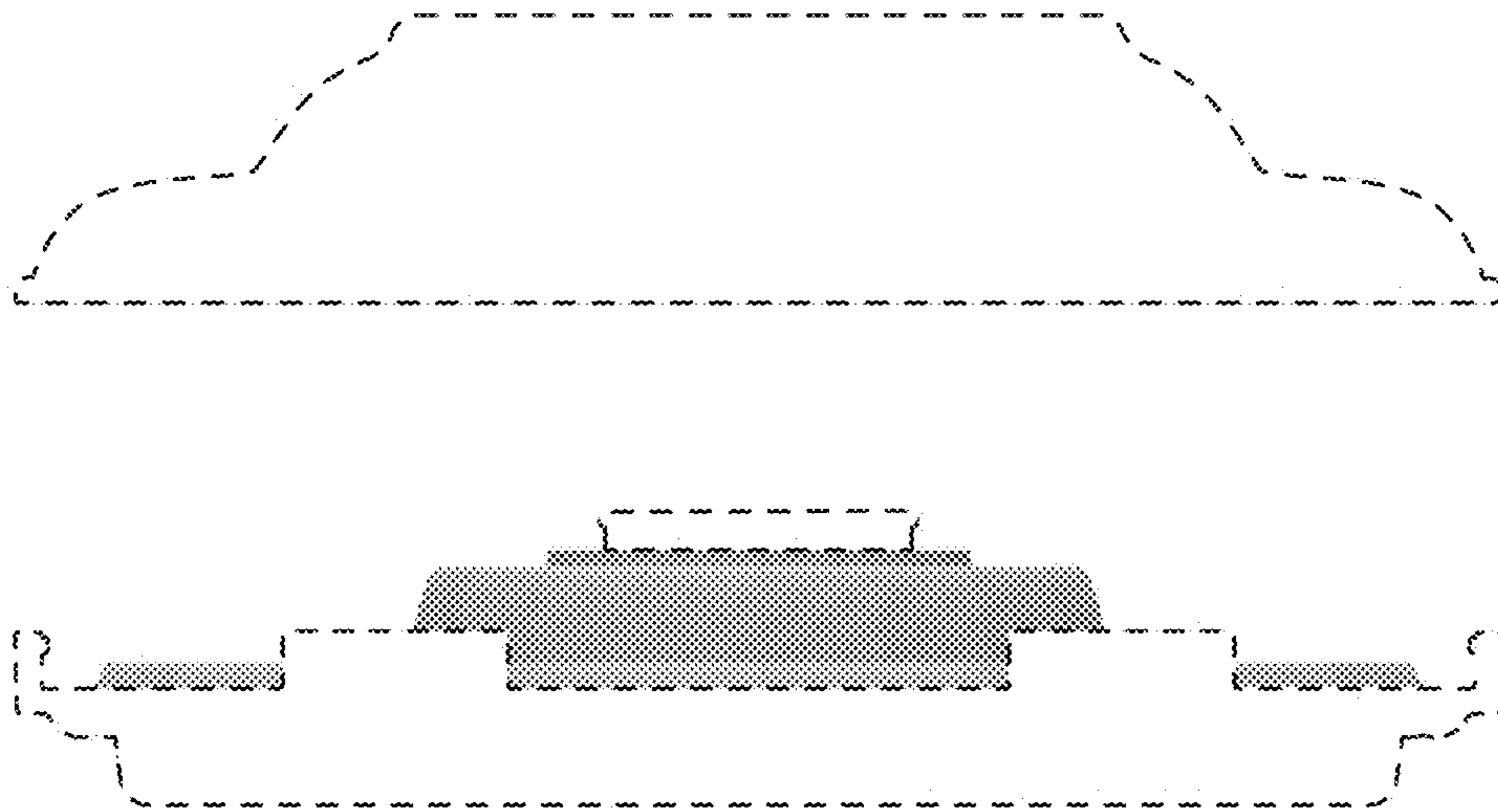


FIG. 3

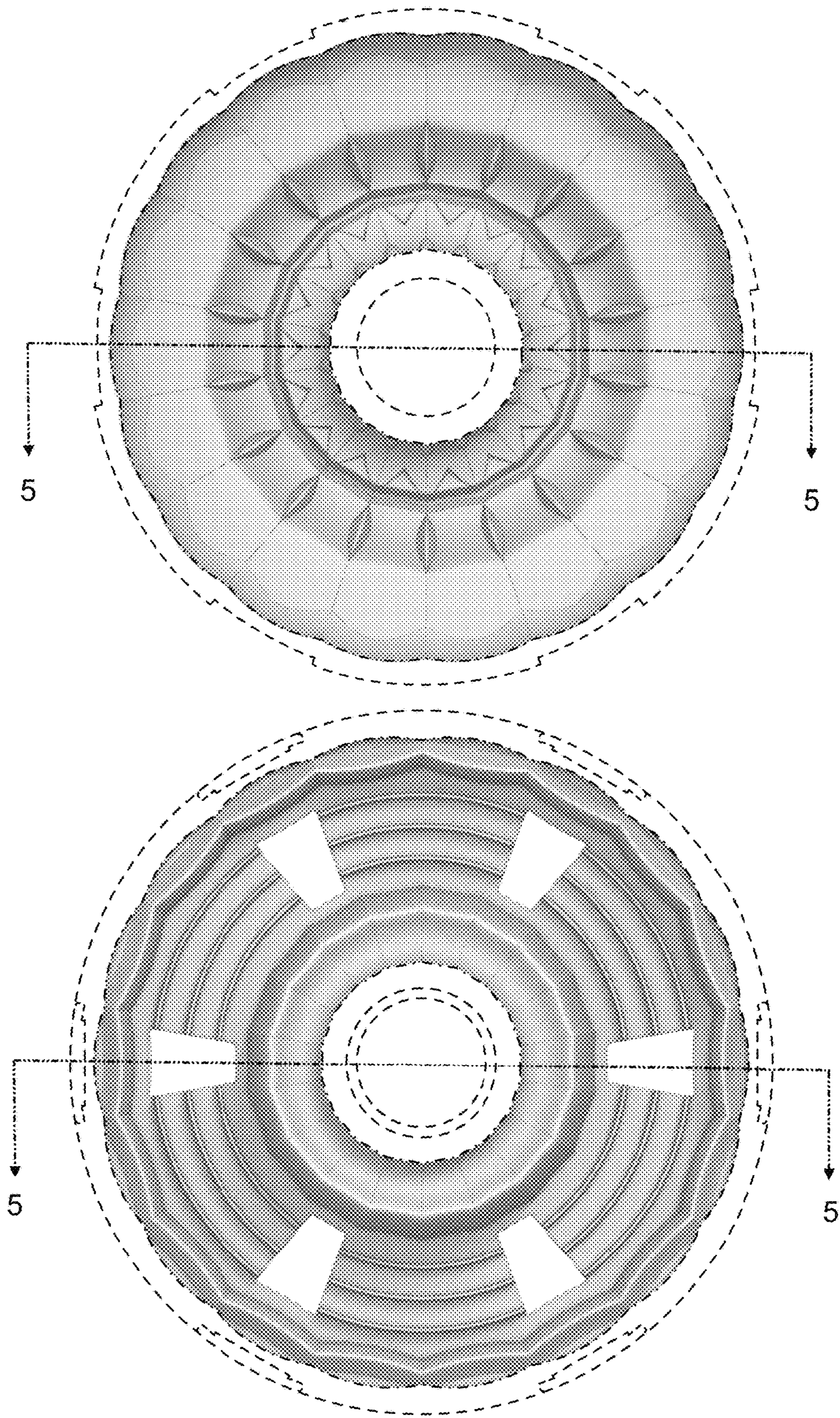


FIG. 4

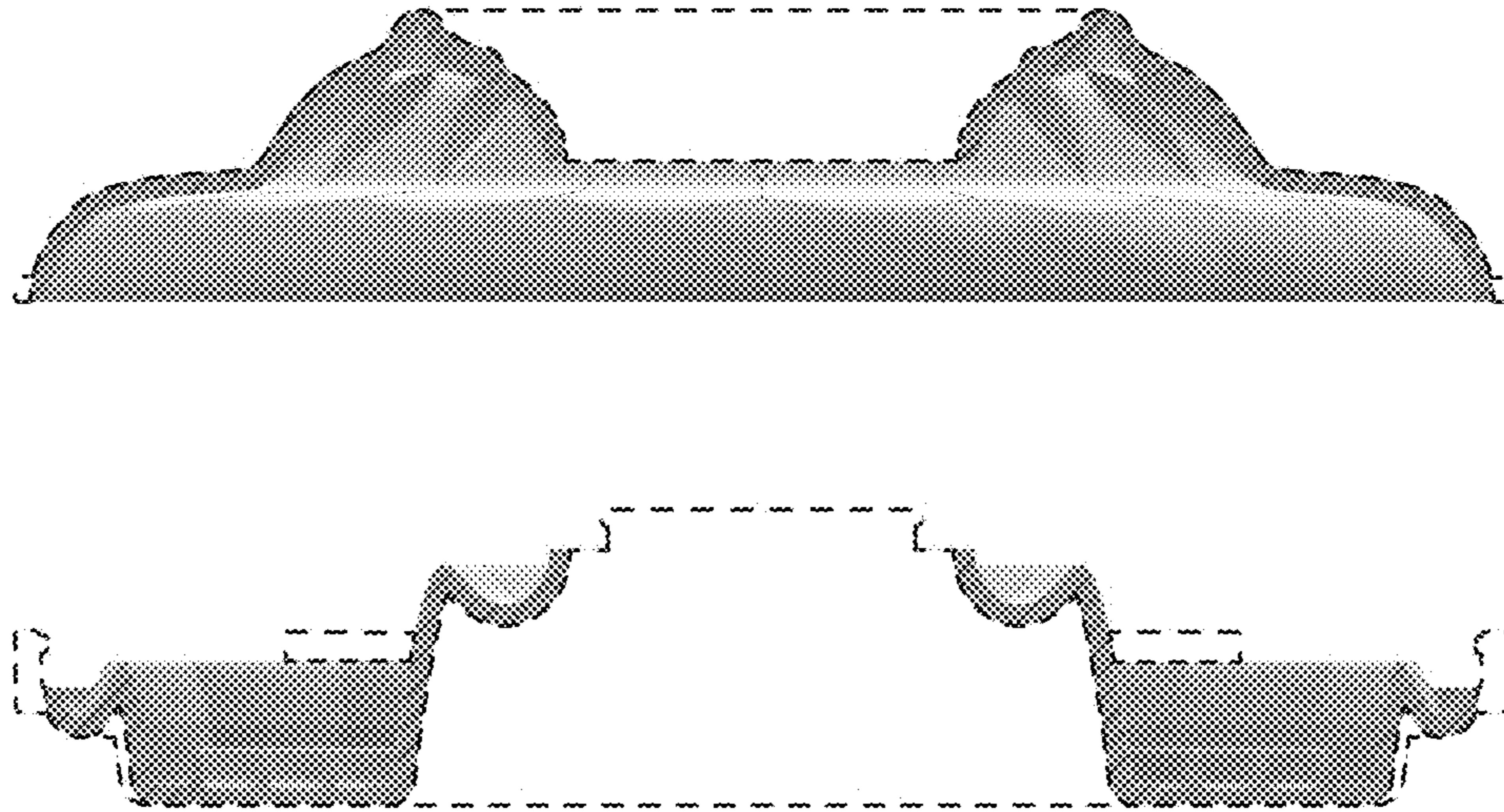


FIG. 5

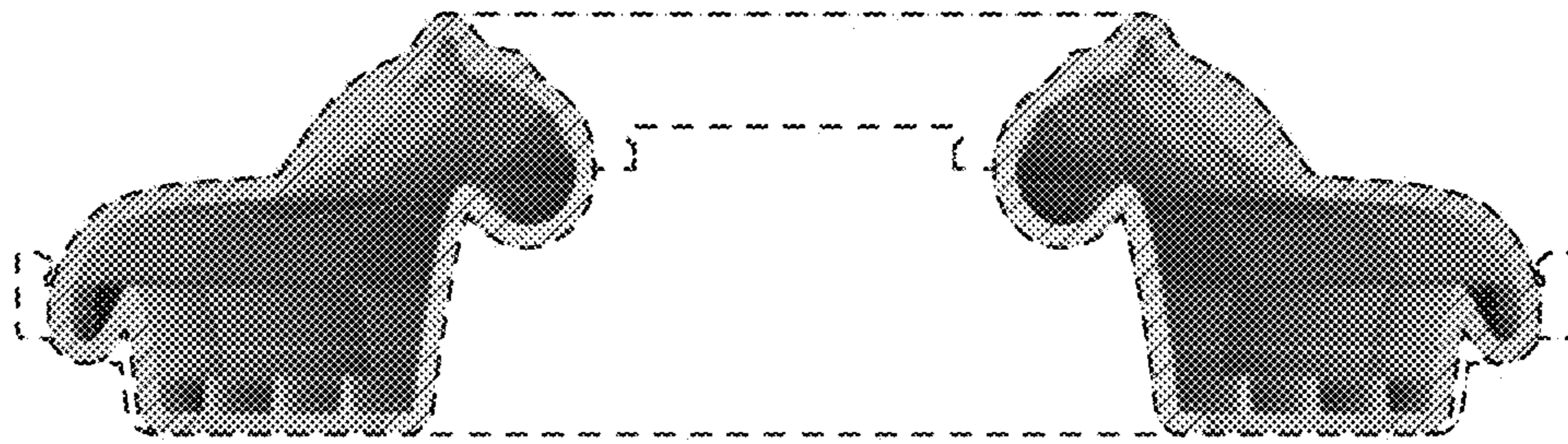


FIG. 6