



US00D869914S

(12) **United States Design Patent**  
**Farkas**

(10) **Patent No.:** **US D869,914 S**

(45) **Date of Patent:** **\*\* Dec. 17, 2019**

- (54) **SNAP-ON STRAINER**
- (71) Applicant: **Joshua Farkas**, Brooklyn, NY (US)
- (72) Inventor: **Joshua Farkas**, Brooklyn, NY (US)
- (73) Assignee: **Kitchen Gizmo, Inc.**, Brooklyn, NY (US)
- (\*\*) Term: **15 Years**
- (21) Appl. No.: **29/599,337**
- (22) Filed: **Apr. 2, 2017**
- (51) **LOC (12) Cl.** ..... **07-06**
- (52) **U.S. Cl.**  
USPC ..... **D7/667**
- (58) **Field of Classification Search**  
USPC ..... D7/667, 647, 653, 692, 668; 210/469  
CPC .. A47J 43/22; A47J 43/24; A47J 19/00; A47J 19/005; A47J 36/06; A47J 36/08  
See application file for complete search history.

(56) **References Cited**

**U.S. PATENT DOCUMENTS**

- 222,296 A \* 12/1879 McMurray ..... A47J 37/067  
99/450
- 1,183,468 A \* 5/1916 Knight ..... A47J 36/08  
210/469
- 1,225,047 A \* 5/1917 Milligan ..... A47J 36/08  
210/469
- 2,240,454 A \* 4/1941 Badaracco ..... A47J 36/08  
210/469
- 2,398,978 A \* 4/1946 Udell ..... A47J 36/08  
210/469
- 2,499,016 A \* 2/1950 Buckley ..... A47J 36/08  
210/469
- 2,520,382 A \* 8/1950 Conrad ..... A47J 36/08  
D7/667
- 2,840,239 A \* 6/1958 Wethammer ..... A47J 36/06  
210/466

- 3,289,849 A \* 12/1966 Livingston ..... A47J 36/08  
210/469
- 4,626,352 A \* 12/1986 Massey ..... A47J 36/08  
210/469
- D385,756 S \* 11/1997 Licari ..... D7/667
- 5,902,481 A \* 5/1999 Schwietert ..... A47J 43/24  
100/113
- D432,368 S \* 10/2000 Kaposi ..... D7/667
- D513,944 S \* 1/2006 Kaposi ..... D7/667
- D664,004 S \* 7/2012 Benishai ..... D7/543
- D732,354 S \* 6/2015 Hinds ..... D7/667
- D736,042 S \* 8/2015 Serrahima ..... D7/667
- D824,735 S \* 8/2018 Chaudry ..... D7/668
- 2008/0308489 A1\* 12/2008 Coudurier ..... A47J 36/08  
210/469

(Continued)

**OTHER PUBLICATIONS**

Klemoo, Klemoo Snap'N Strain, Amazon, Jan. 24, 2017, <https://www.amazon.ca/Klemoo-SNAPN-STRAIN-Silicone-Strainer/dp/B01N313XM5> (Year: 2017).\*

*Primary Examiner* — Brett Miller

(74) *Attorney, Agent, or Firm* — Michael Steinmetz

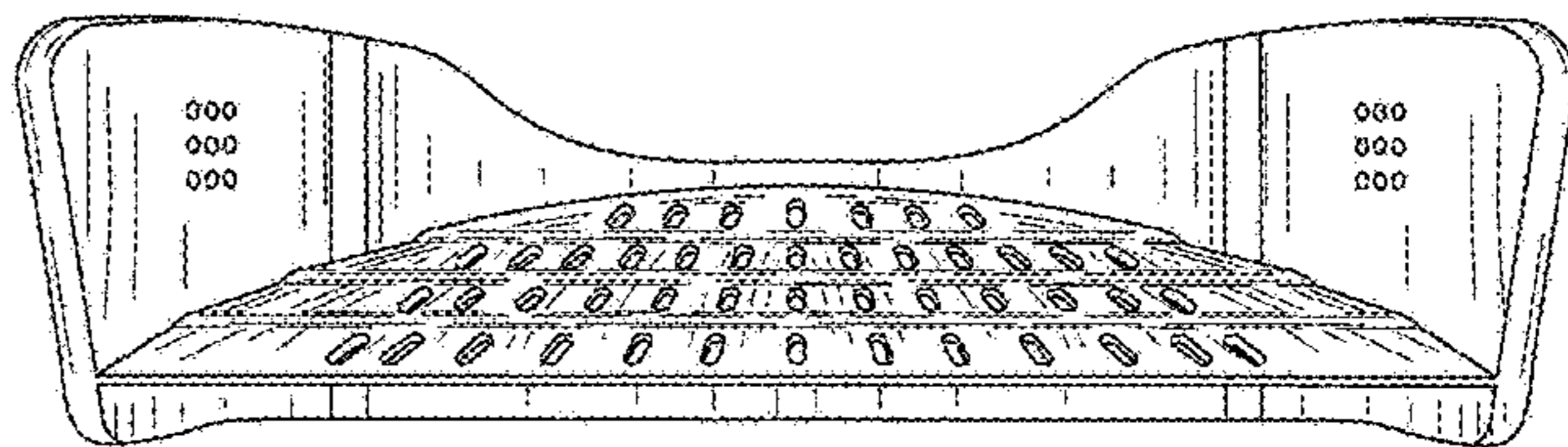
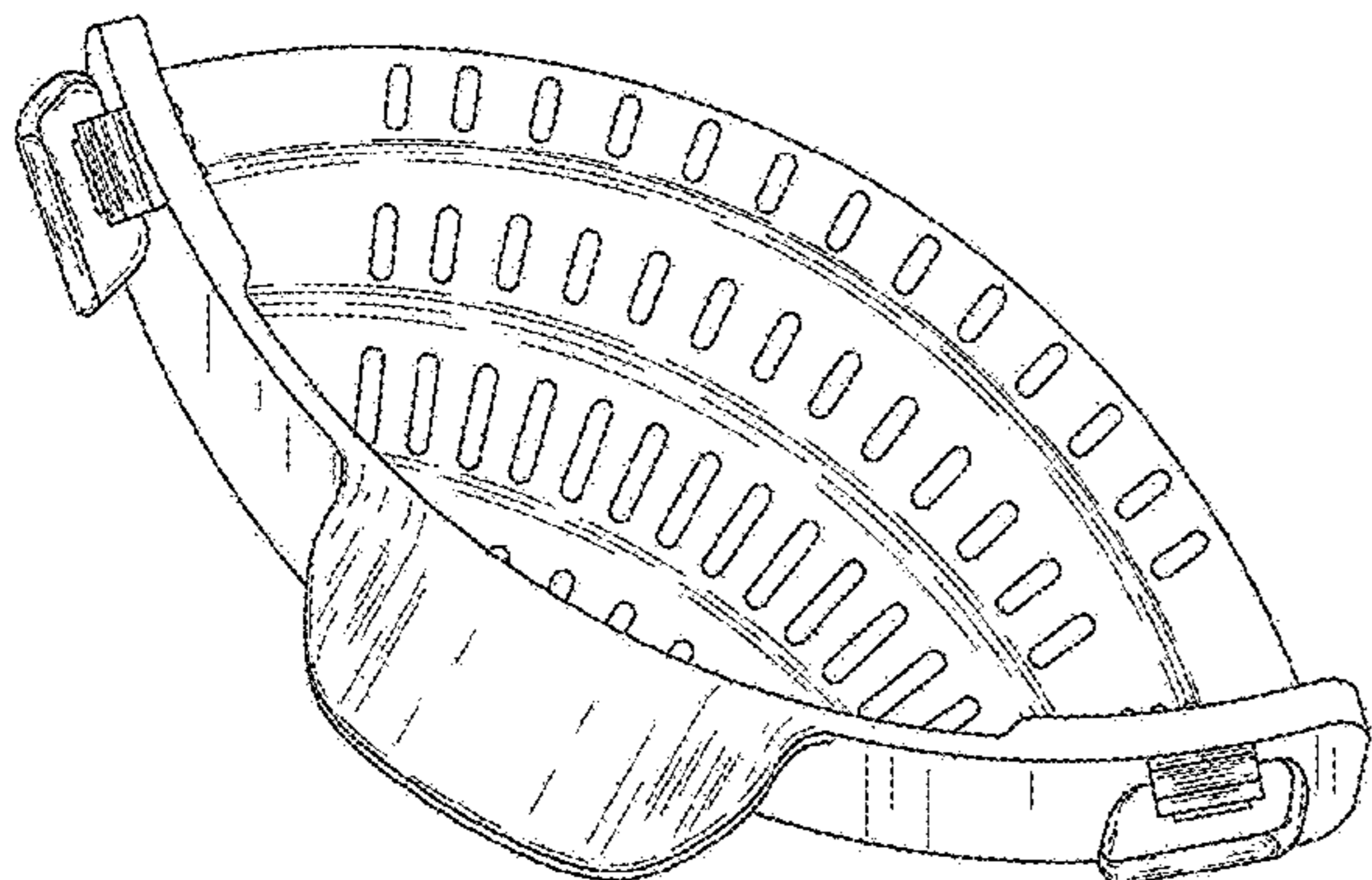
(57) **CLAIM**

The ornamental design for a snap-on strainer, as shown and described.

**DESCRIPTION**

FIG. 1—is an isometric view of the strainer, with the clip shown tilted for ease of illustration;  
FIG. 2—is a top view;  
FIG. 3—is a bottom view;  
FIG. 4—is a front view;  
FIG. 5—is a rear view;  
FIG. 6—is a side view; and,  
FIG. 7—is a view of the strainer assembled within a pot.  
The broken lines depict environment and form no part of the claimed design.

**1 Claim, 7 Drawing Sheets**



(56)

**References Cited**

U.S. PATENT DOCUMENTS

2013/0292345 A1\* 11/2013 Jones ..... A47J 43/22  
210/774  
2014/0042106 A1\* 2/2014 Davison ..... A47J 19/00  
210/767

\* cited by examiner

FIG. 1

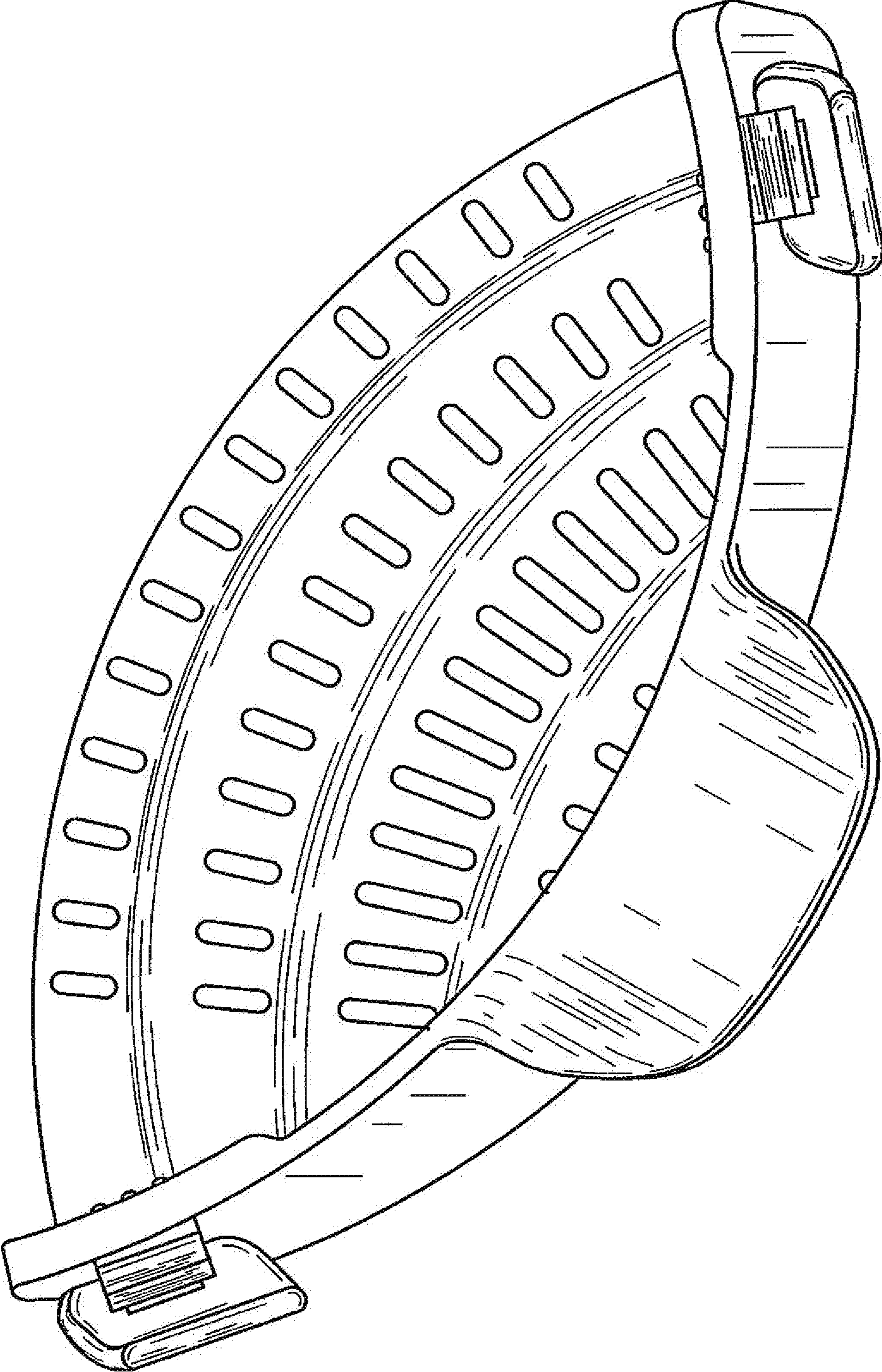


FIG.2

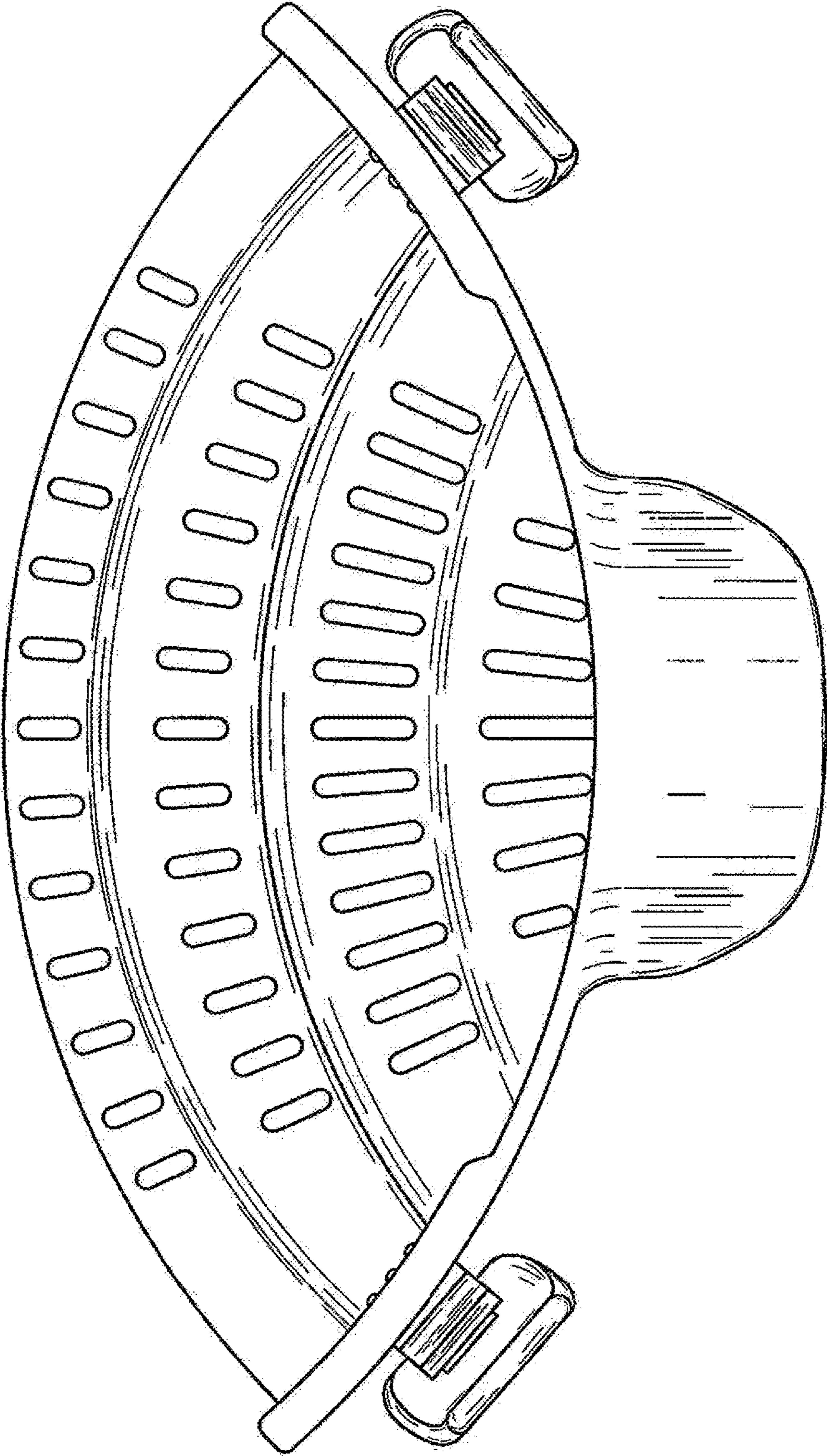


FIG.3

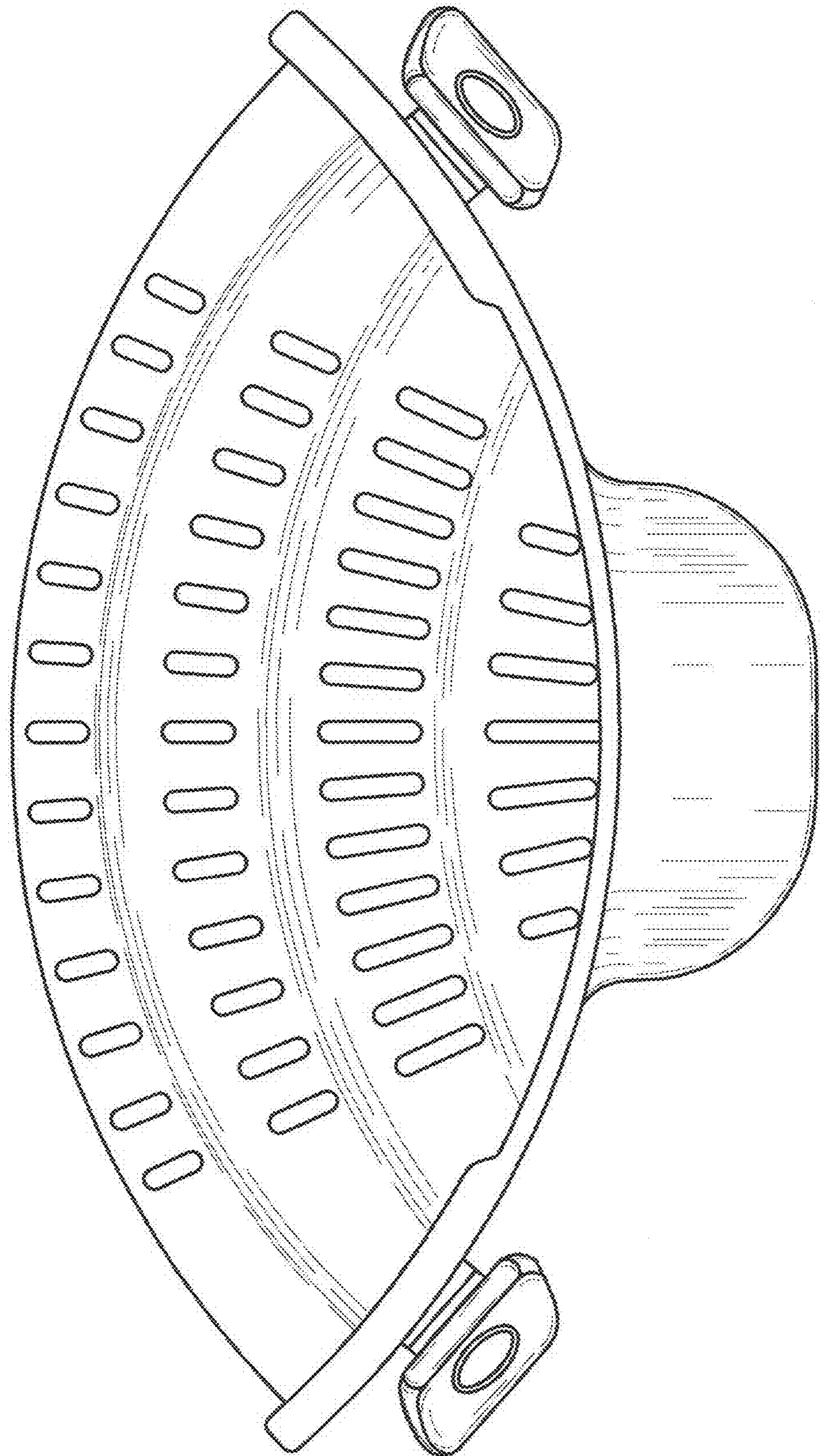


FIG.4

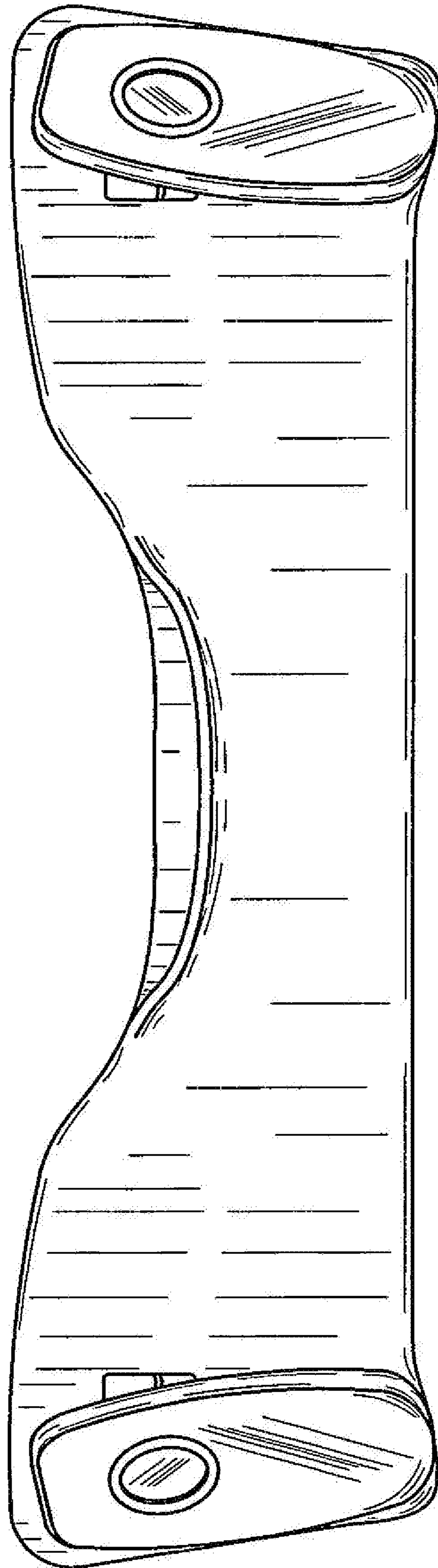


FIG. 5

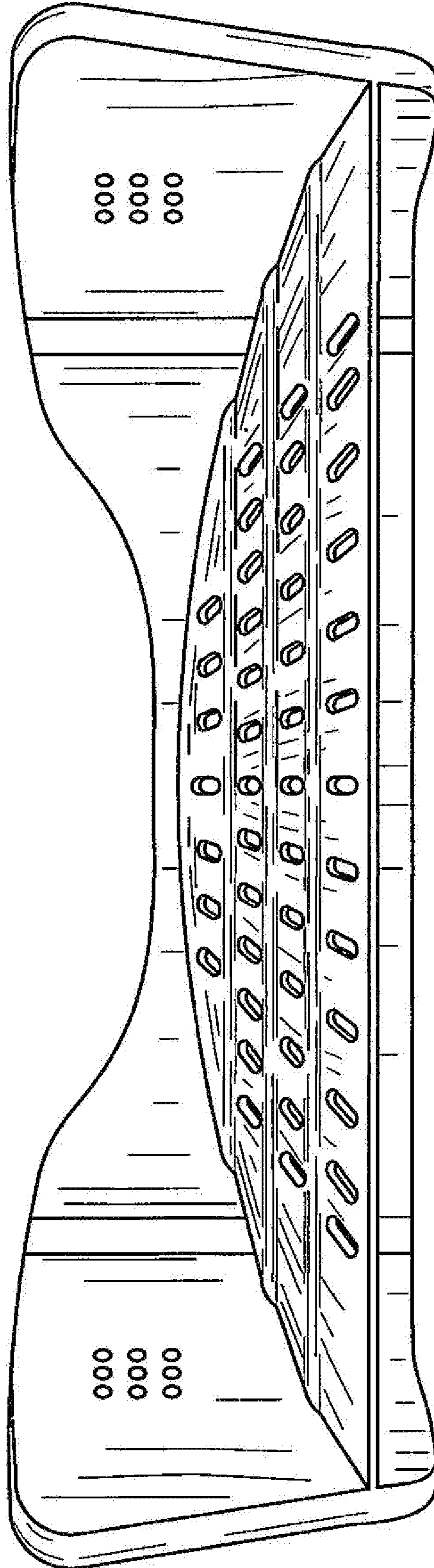


FIG. 6

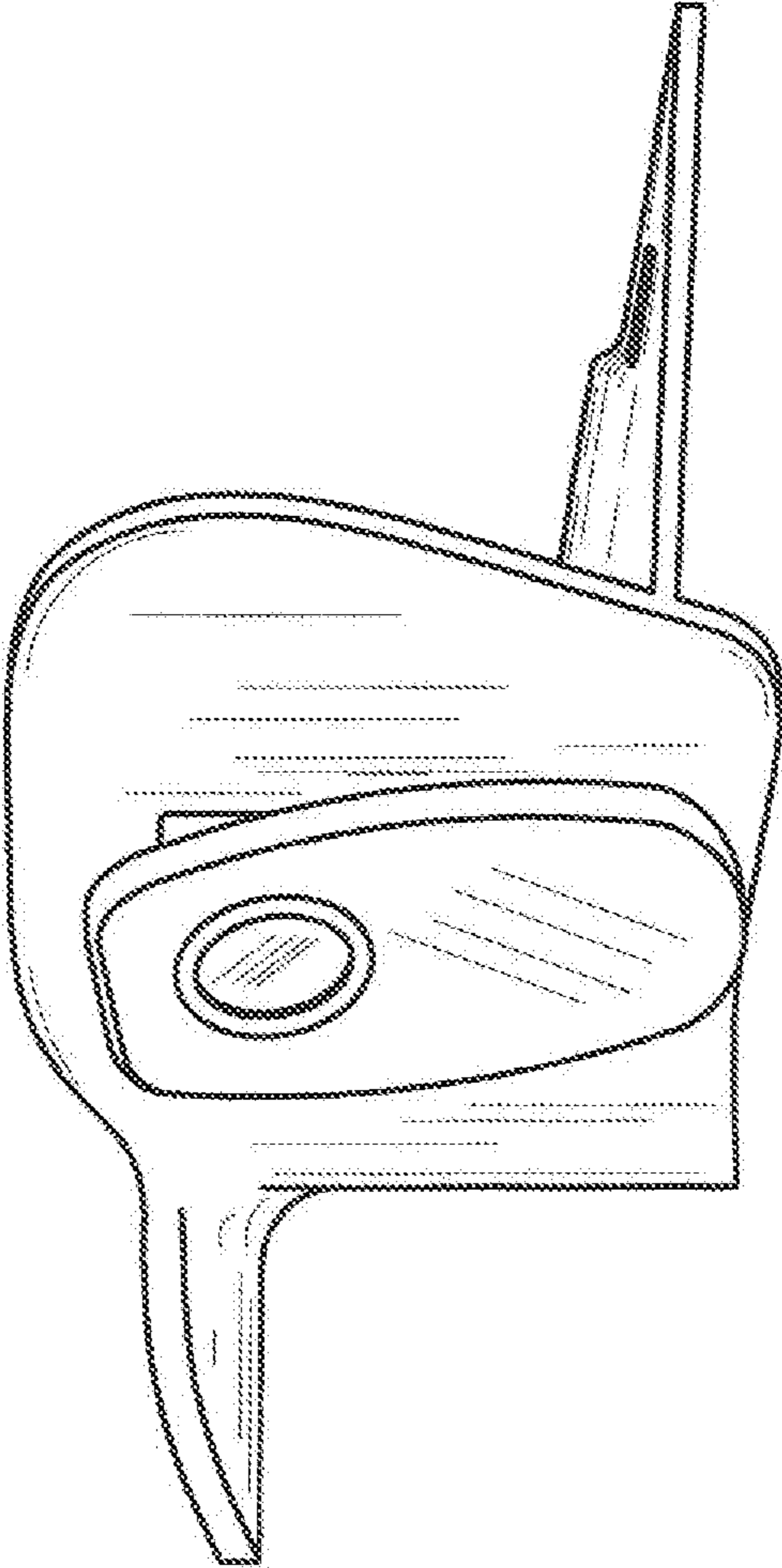




FIG. 7

