



US00D869913S

(12) **United States Design Patent** (10) **Patent No.:** **US D869,913 S**
Tillman (45) **Date of Patent:** **** Dec. 17, 2019**

(54) **SPORT SPOON**

(71) Applicant: **Christopher Lee Tillman**, Mableton, GA (US)

(72) Inventor: **Christopher Lee Tillman**, Mableton, GA (US)

(**) Term: **15 Years**

(21) Appl. No.: **29/669,009**

(22) Filed: **Nov. 5, 2018**

Related U.S. Application Data

(62) Division of application No. 29/619,042, filed on Sep. 26, 2017, now Pat. No. Des. 832,662, which is a division of application No. 29/530,084, filed on Jun. 12, 2015, now Pat. No. Des. 811,828.

(51) **LOC (12) Cl.** **07-03**

(52) **U.S. Cl.**
USPC **D7/654**; D7/401.2; D7/653

(58) **Field of Classification Search**

USPC D7/368, 401.2, 642-645, 647-649, D7/653-664, 669, 675-677, 683, D7/688-689, 691; D8/107, 300-301; D10/46.3; D17/10, 22; D21/405; D22/117-118

CPC ... A01D 9/02; A01D 9/04; A01D 9/06; A47G 21/00; A47G 21/004; A47G 21/005; A47G 21/02; A47G 21/023; A47G 21/04; A47G 21/06; A47G 21/08; A47J 43/28; A47J 43/281; A47J 43/282; A61F 13/10; A61J 7/0023; A63H 5/00; B25G 1/00; B25G 1/01; B25G 1/02; B25G 3/00; B65D 75/56; B65D 75/563; B65D 75/566; B67B 7/00; B67B 7/724; B67B 7/73

See application file for complete search history.

(56) **References Cited**

U.S. PATENT DOCUMENTS

D156,850 S *	1/1950	Shirley	D10/46.3
D371,580 S *	7/1996	Venecia	D17/24
D449,332 S *	10/2001	Cohen	D17/22
D459,382 S *	6/2002	Cohen	D17/22
D459,750 S *	7/2002	Cohen	D17/22
D463,482 S *	9/2002	Cohen	D17/22
D677,319 S *	3/2013	Lochen	D17/22
D689,124 S *	9/2013	Lochen	D17/10
D703,734 S *	4/2014	Lochen	D17/22
D758,139 S *	6/2016	Struggl	D7/642
D811,828 S *	3/2018	Tillman	D7/654
D832,662 S *	11/2018	Tillman	D7/654
2001/0034177 A1 *	10/2001	Hunn	A63H 5/00 446/73

* cited by examiner

Primary Examiner — Ricky Pham

(74) *Attorney, Agent, or Firm* — Mathew L. Grell; Jeffrey C. Watson; Grell & Watson Patent Attorneys LLC

(57) **CLAIM**

The ornamental design for a sport spoon, as shown and described.

DESCRIPTION

FIG. 1 is a perspective view of the sport spoon with the spoon bowl as a basketball ball and the spoon handle as a basketball net showing my design;

FIG. 2 is a top view thereof;

FIG. 3 is a bottom thereof;

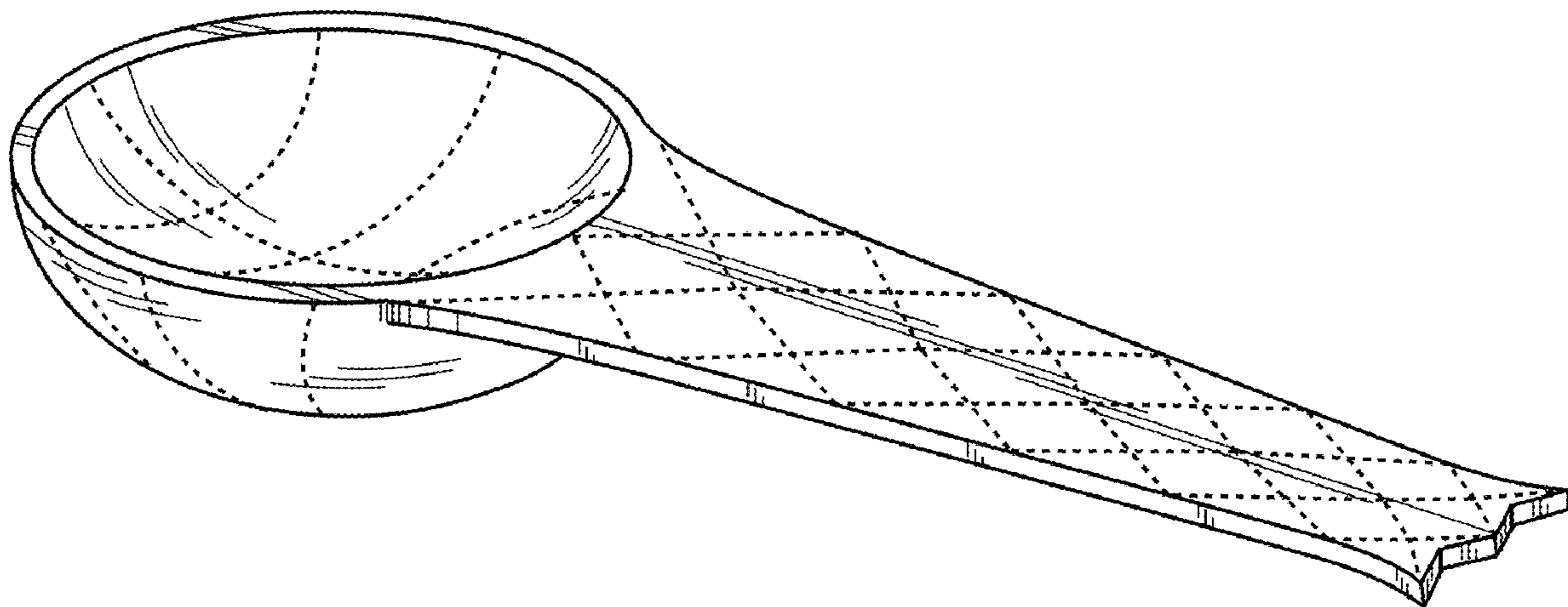
FIG. 4 is a front side view thereof;

FIG. 5 is a back side view thereof; and,

FIG. 6 is a left side view, the right side view being a mirror image thereof.

The broken lines shown in FIGS. 1-6 represent the portions of the design which form no part of the claimed design, such as ball seams and net lines.

1 Claim, 3 Drawing Sheets



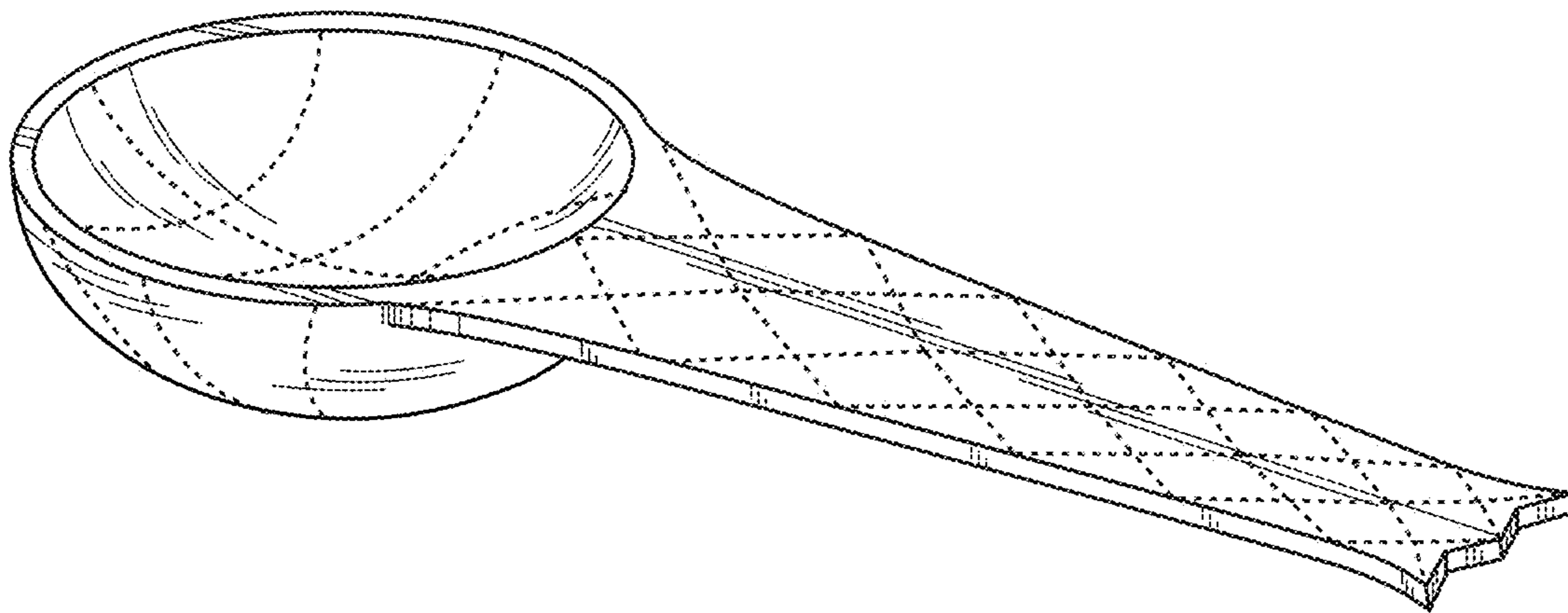


FIG. 1

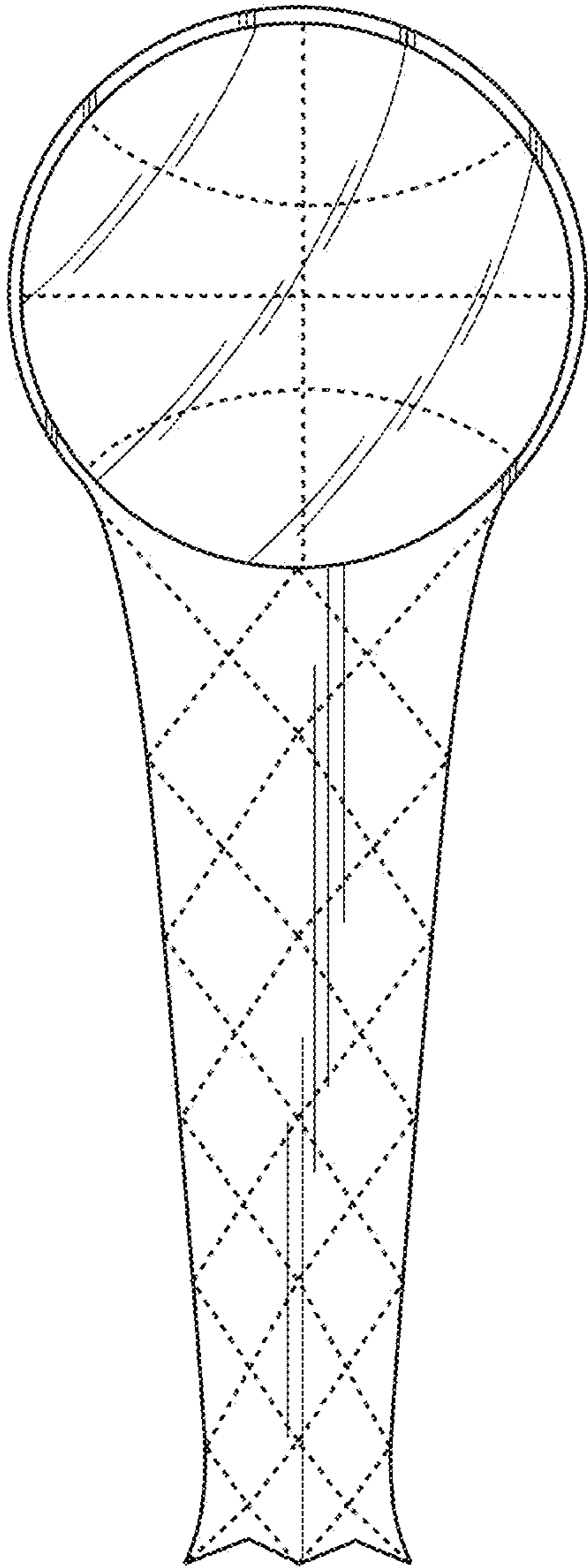


FIG. 2

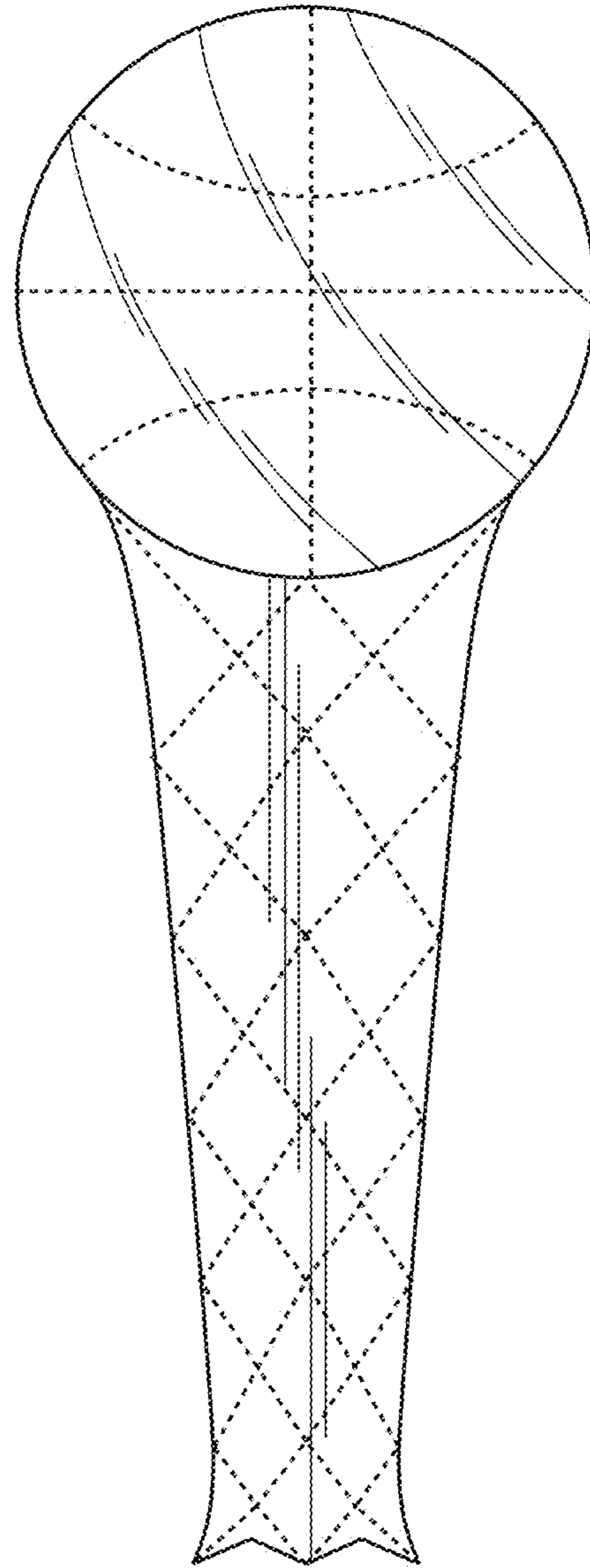


FIG. 3

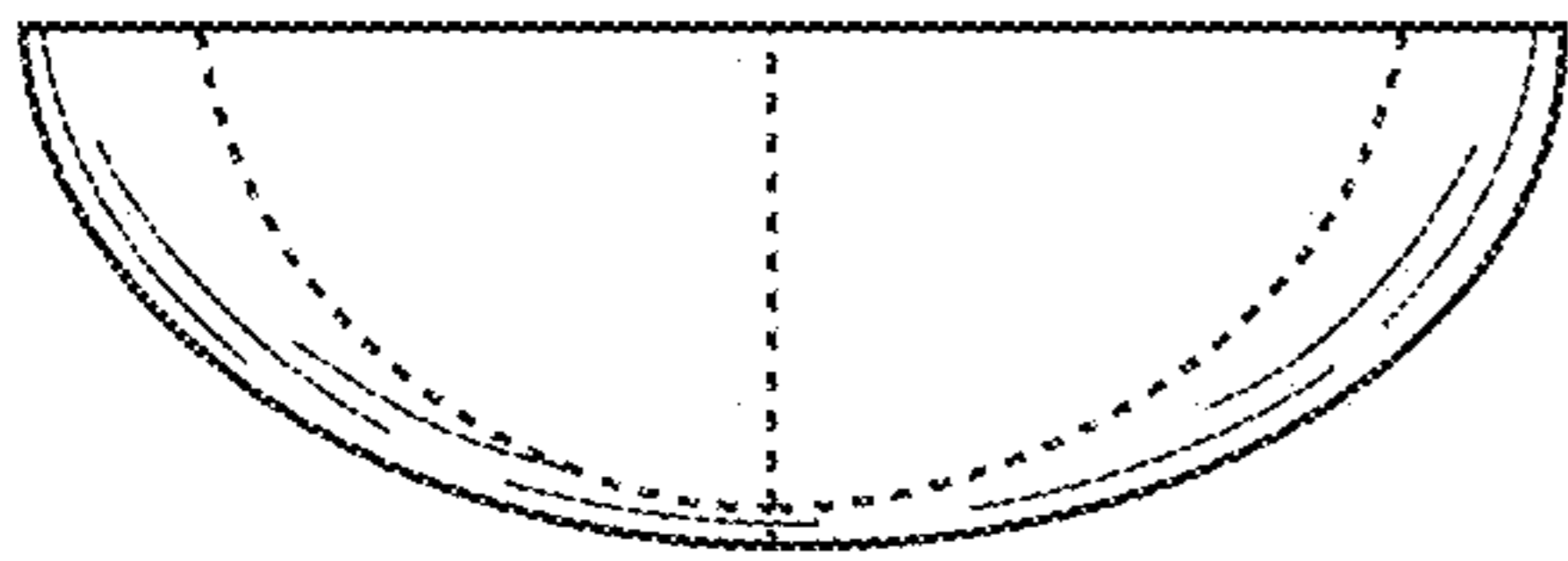


FIG. 4

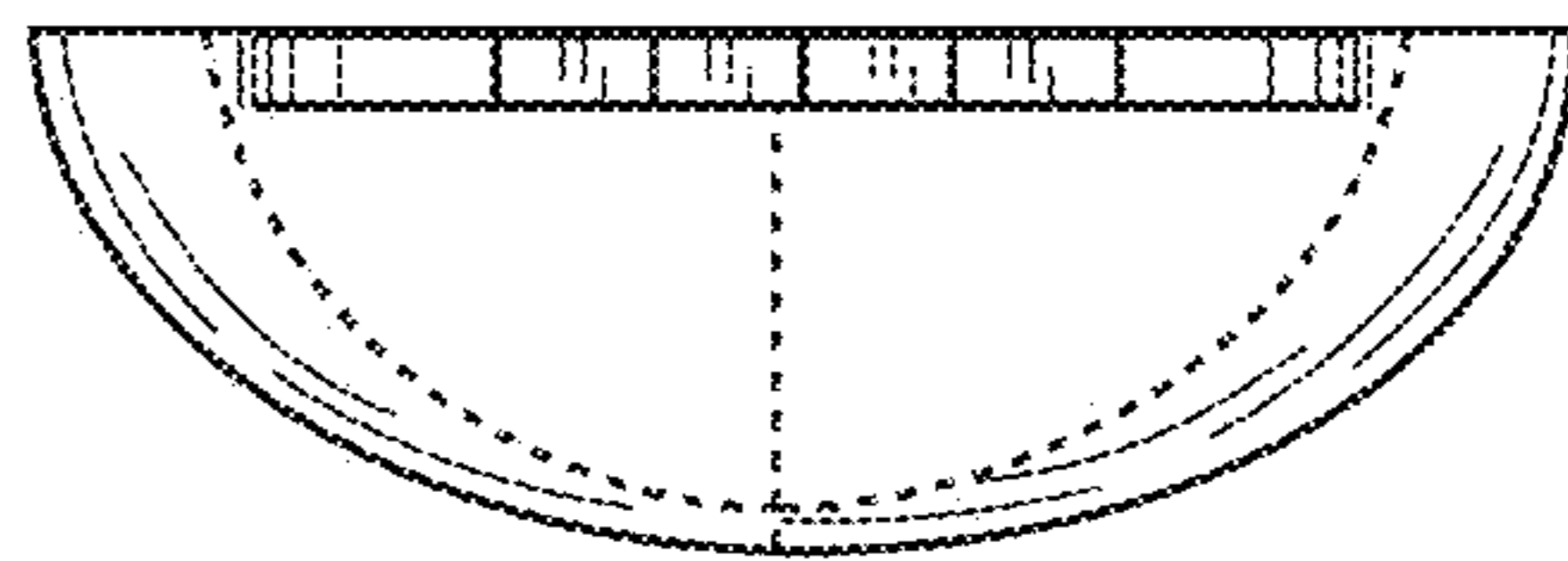


FIG. 5

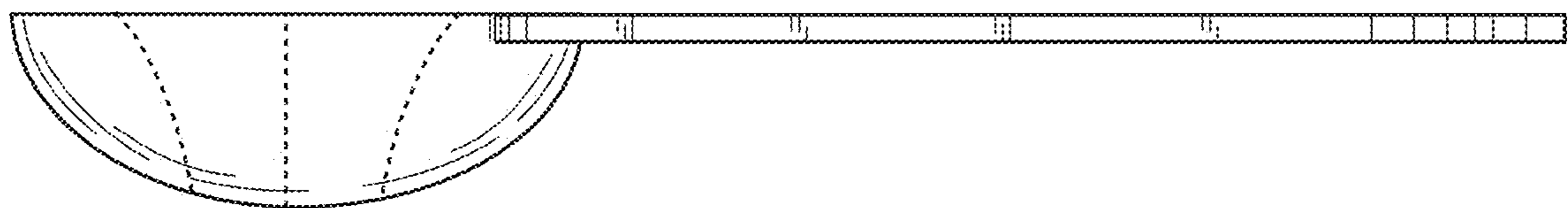


FIG. 6