



US00D869912S

(12) **United States Design Patent** (10) **Patent No.:** **US D869,912 S**
Liu (45) **Date of Patent:** **** Dec. 17, 2019**

(54) **COMPACT SNACKING UTENSIL**
(71) Applicant: **Scott P Liu**, Cerritos, CA (US)
(72) Inventor: **Scott P Liu**, Cerritos, CA (US)
(**) Term: **15 Years**
(21) Appl. No.: **29/653,618**
(22) Filed: **Jun. 17, 2018**
(51) **LOC (12) Cl.** **07-03**
(52) **U.S. Cl.**
USPC **D7/648**; D7/642
(58) **Field of Classification Search**
USPC D7/368, 401.2, 642-645, 653-664, 669,
D7/675-677, 683, 688-689, 692;
D8/107, 300-301; D11/216;
D22/117-118
CPC ... A01D 9/02; A01D 9/04; A01D 9/06; A47G
21/00; A47G 21/004; A47G 21/005;
A47G 21/02; A47G 21/023; A47G 21/04;
A47G 21/06; A47G 21/08; A47G 21/10;
A47G 21/103; A47J 43/28; A47J 43/281;
A47J 43/282; A61B 17/22031; A61F
4/00; A61F 13/10; A61F 13/105; A61J
7/0023; B25B 9/02; B25G 1/00; B25G
1/01; B25G 1/02; B25G 3/00; B65D
75/56; B65D 75/563; B65D 75/566;
B67B 7/00; B67B 7/724; B67B 7/73
See application file for complete search history.

(56) **References Cited**
U.S. PATENT DOCUMENTS
993,720 A * 5/1911 Schneider A61F 13/105
294/25
1,299,229 A * 4/1919 Romer B25B 9/02
294/99.2
2,711,339 A * 6/1955 McGogy A47G 21/103
294/99.2

3,489,151 A * 1/1970 Eller A61B 17/22031
606/106
4,261,608 A 4/1981 Bradshaw
4,666,451 A * 5/1987 Samaria A61F 4/00
294/25
4,715,639 A 12/1987 Nicoletta
4,809,435 A 3/1989 Printz
5,115,565 A 5/1992 Narlock
5,709,423 A * 1/1998 Romero A47G 21/10
294/16
6,129,398 A * 10/2000 Calhoun B25B 9/02
294/25
6,276,734 B1 8/2001 Krieger
6,402,214 B1 * 6/2002 Weiner A47G 21/103
294/99.2
7,628,432 B2 12/2009 Flather
7,862,095 B2 * 1/2011 Rodriguez A47G 21/10
294/16
D683,597 S * 6/2013 Dixon D7/642
(Continued)

FOREIGN PATENT DOCUMENTS

CN 2712200 Y 12/2003
GB 2065454 7/1981

Primary Examiner — Ricky Pham

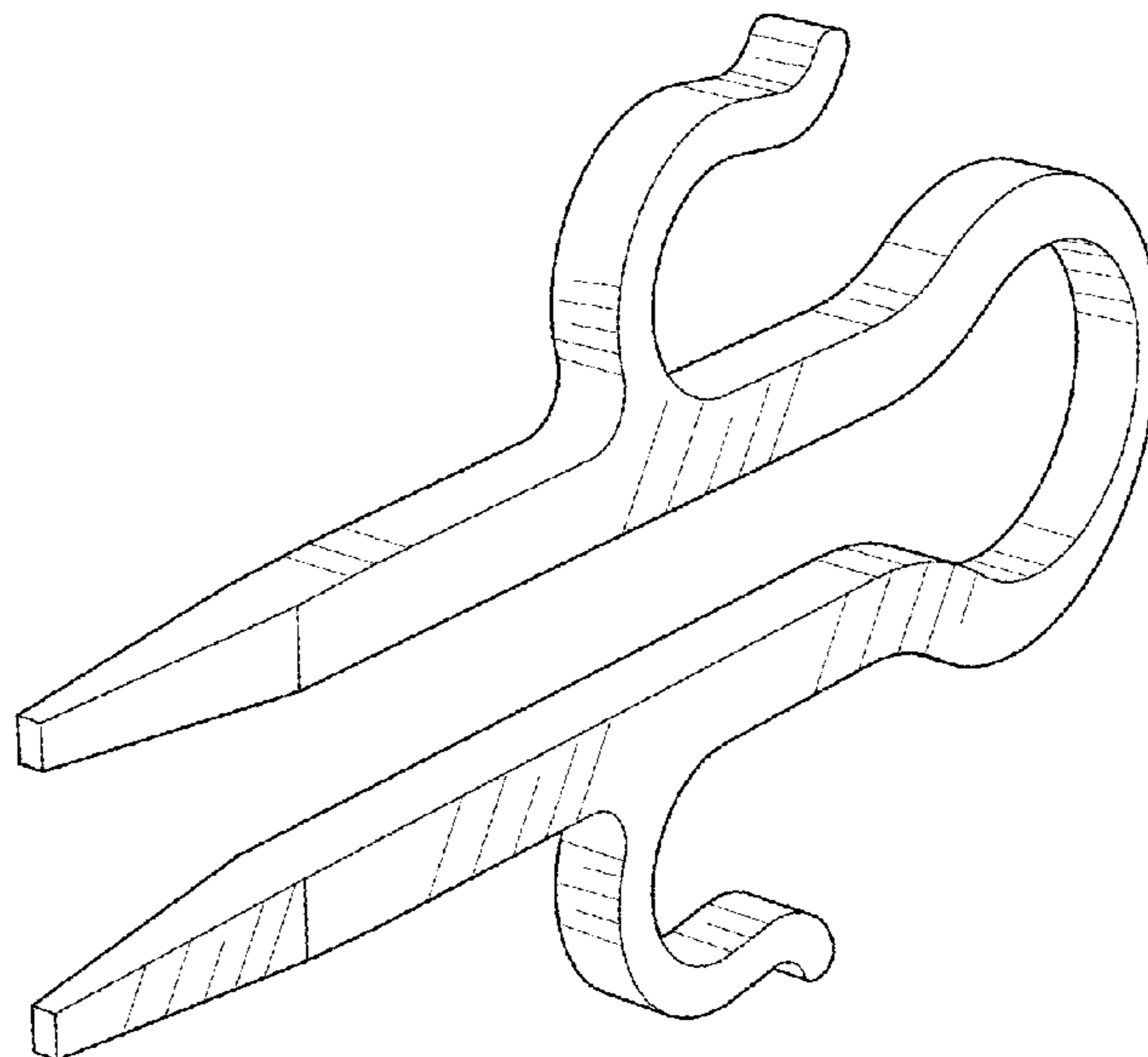
(57) **CLAIM**

The ornamental design for a compact snacking utensil, as shown and described.

DESCRIPTION

FIG. 1 is a front perspective view of a compact snacking utensil showing my new design;
FIG. 2 is a back perspective view thereof;
FIG. 3 is a bottom plan view thereof;
FIG. 4 is a top plan view thereof;
FIG. 5 is a left elevational view thereof;
FIG. 6 is a right elevational view thereof;
FIG. 7 is a back elevational view thereof; and,
FIG. 8 is a front elevational view thereof.

1 Claim, 5 Drawing Sheets



(56)

References Cited

U.S. PATENT DOCUMENTS

8,672,377 B2 * 3/2014 Ina A47G 21/10
294/99.2
D734,208 S * 7/2015 Matos D11/216
9,538,873 B2 * 1/2017 Gardeski A47G 21/10
2008/0224490 A1 9/2008 Ina
2009/0241347 A1 10/2009 Weaver
2010/0049243 A1 2/2010 Luh
2010/0052347 A1 3/2010 Teng

* cited by examiner

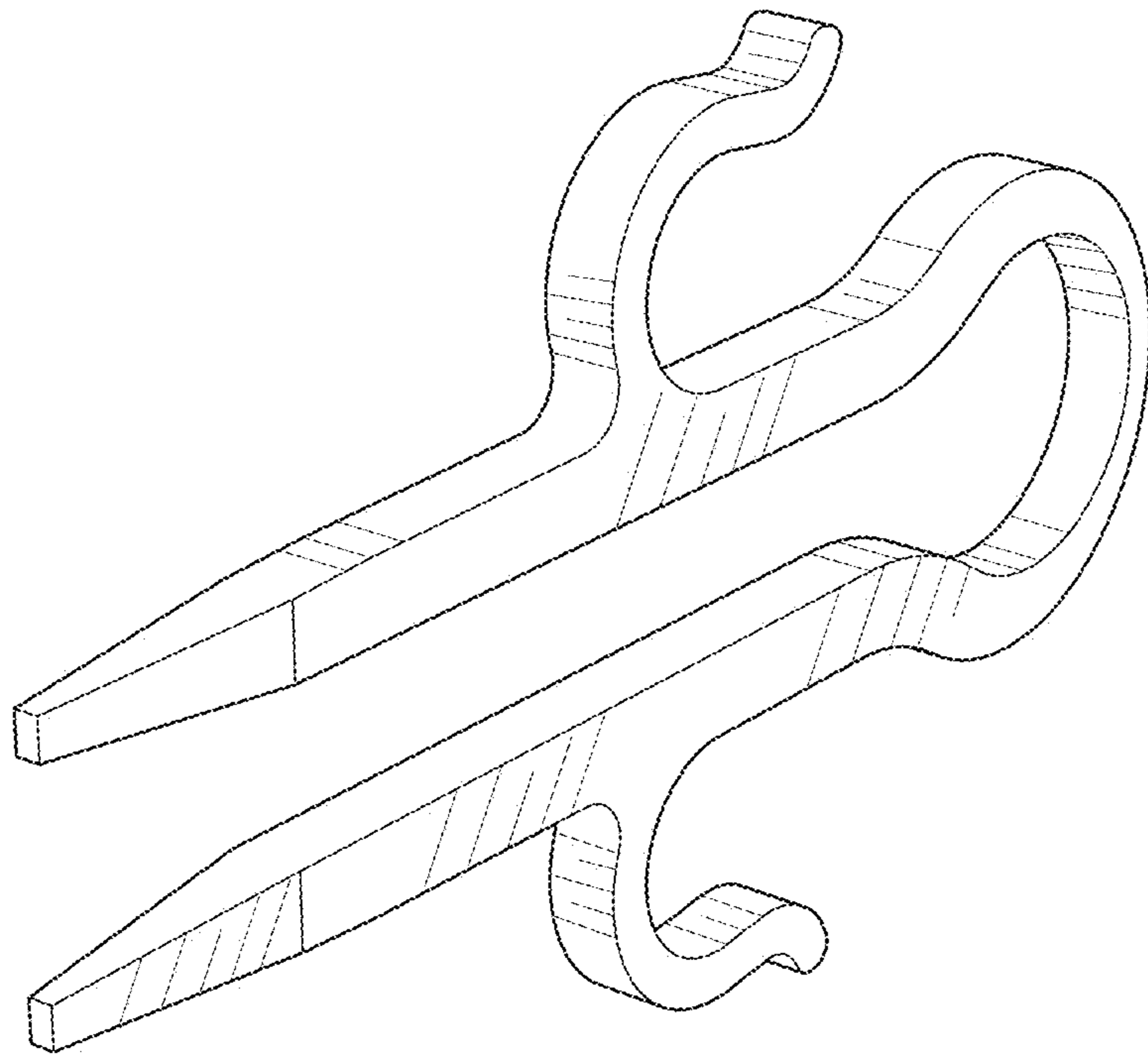


FIG. 1

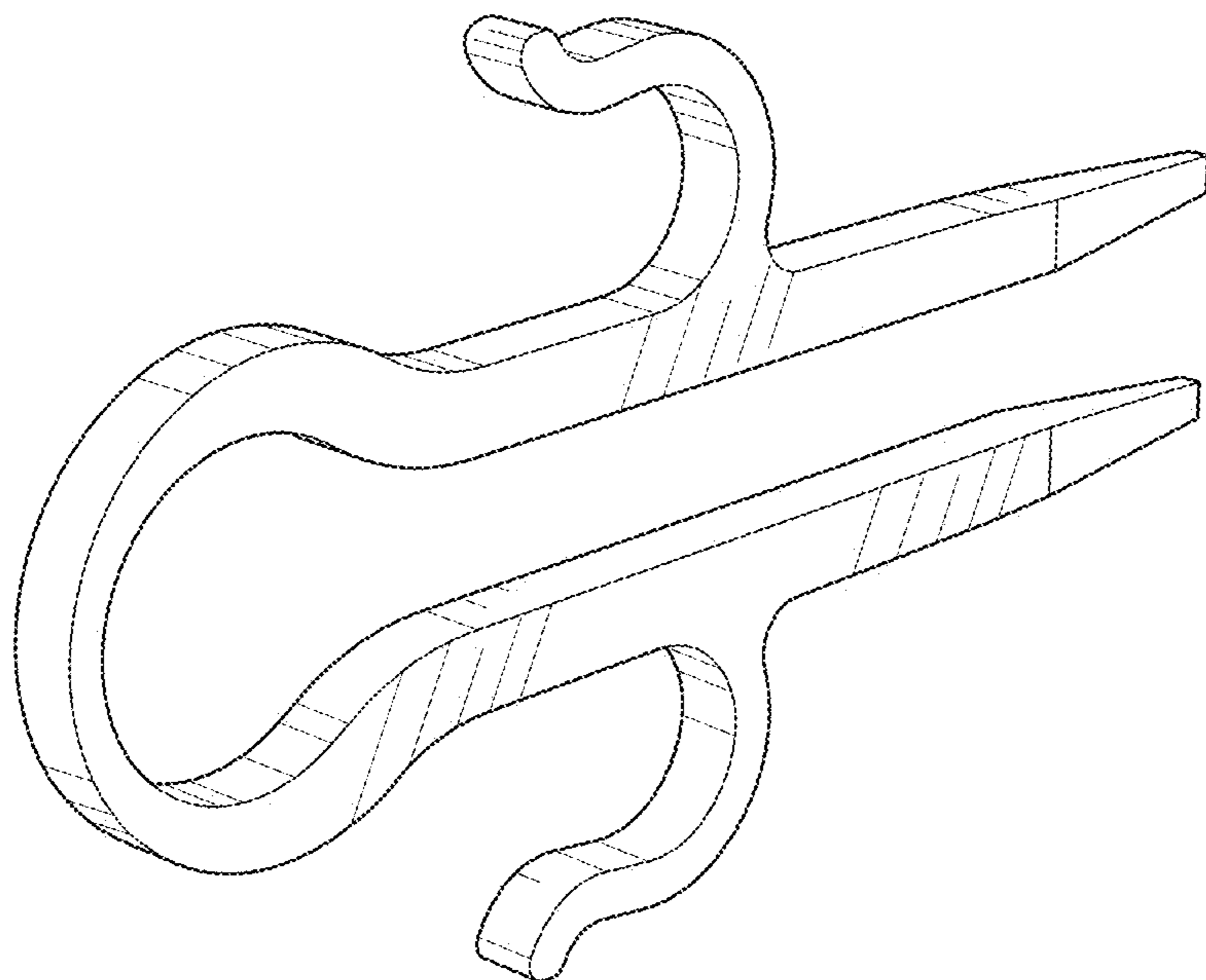


FIG. 2

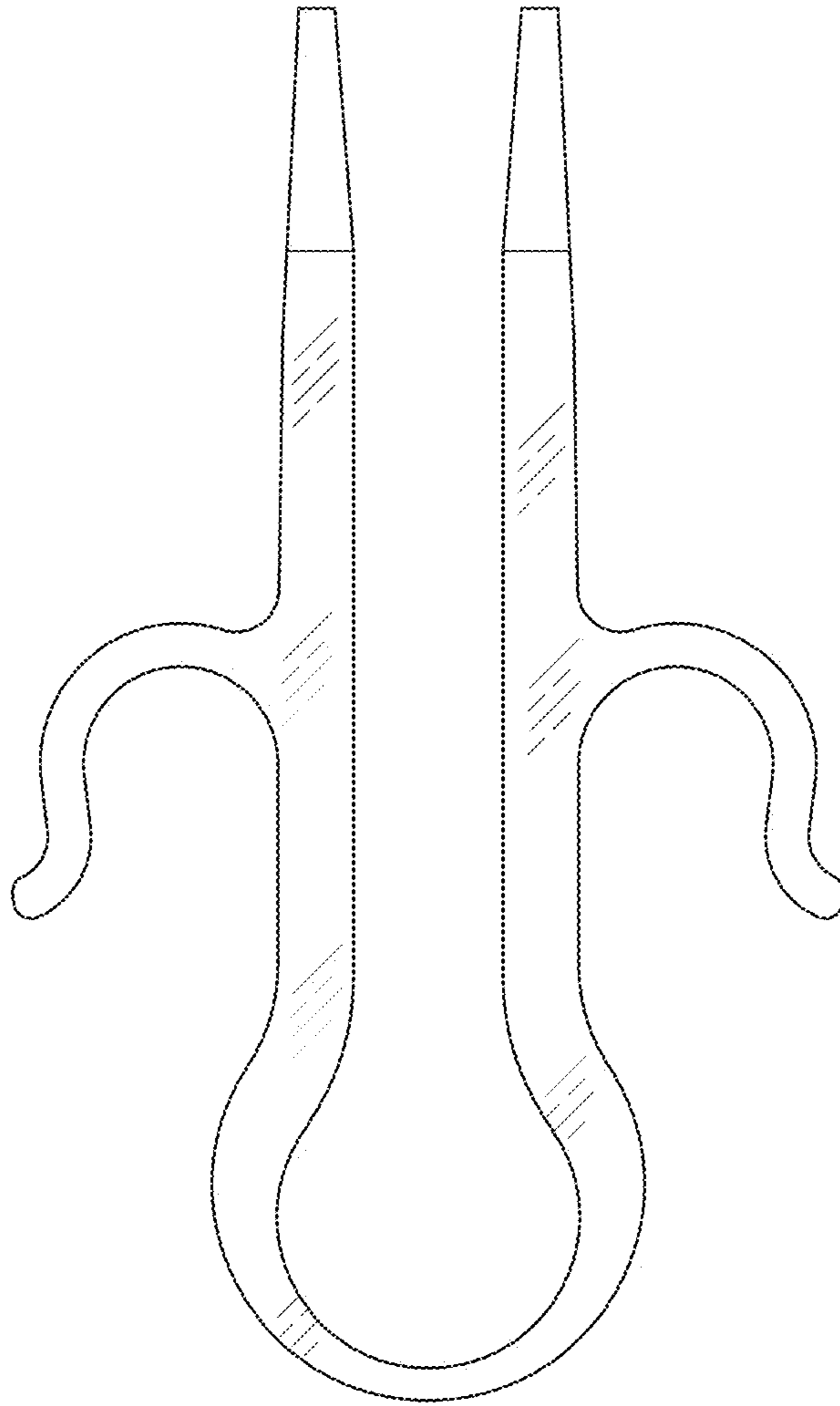


FIG. 3

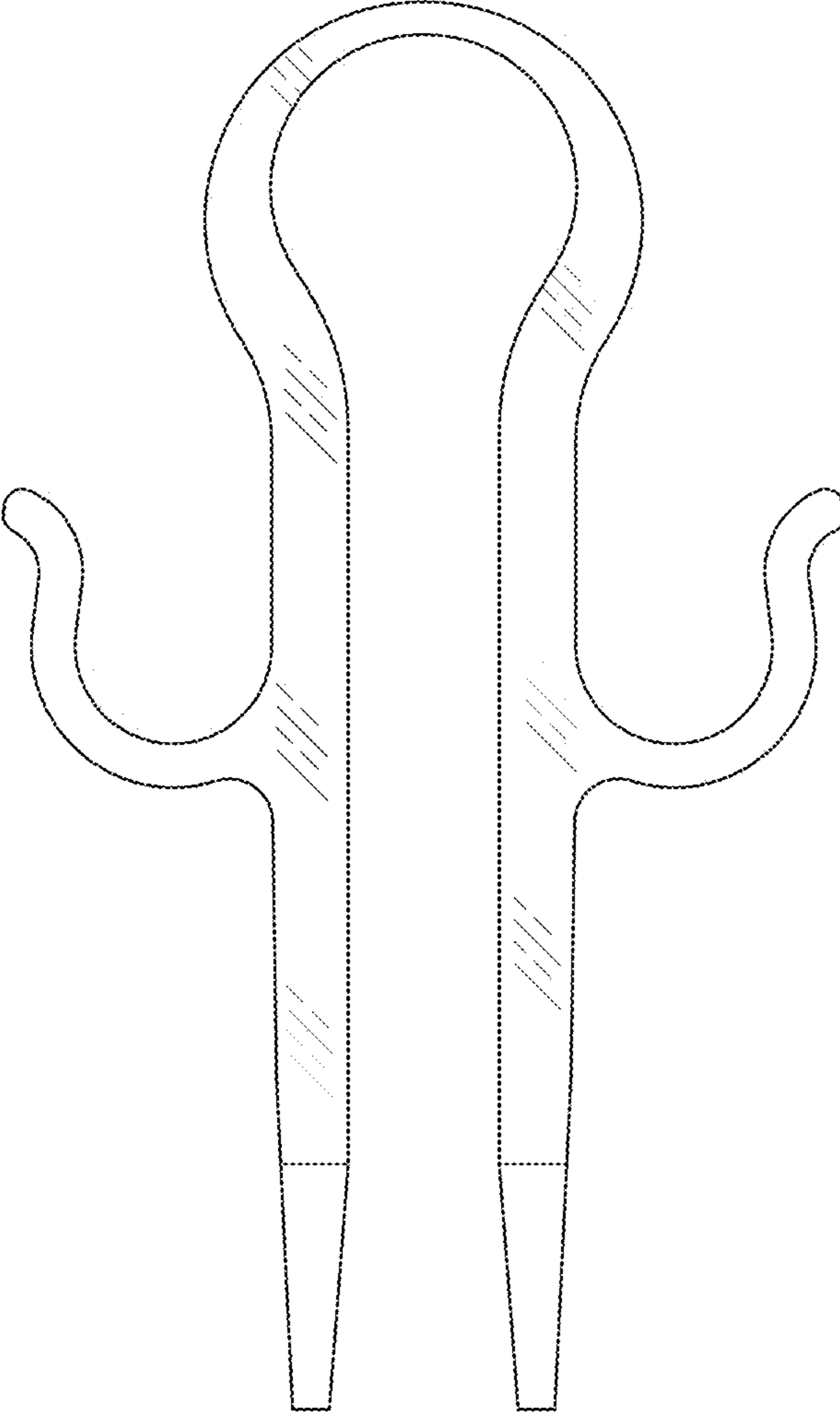


FIG. 4

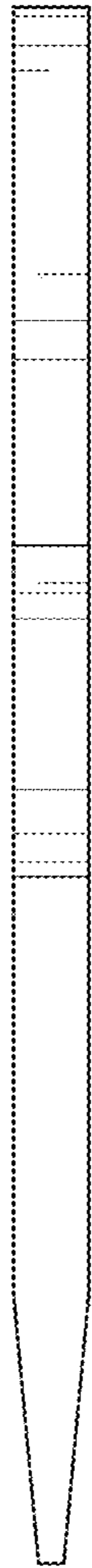


FIG. 5



FIG. 6



FIG. 7



FIG. 8