



US00D869911S

(12) **United States Design Patent** (10) **Patent No.:** **US D869,911 S**
Bergin (45) **Date of Patent:** **** Dec. 17, 2019**

(54) **FRAME FOR CUP HOLDER**

(71) Applicant: **Caddy Products, Inc.**, Palm Desert, CA (US)

(72) Inventor: **Peter W. A. Bergin**, Rancho Mirage, CA (US)

(73) Assignee: **Caddy Products, Inc.**, Palm Desert, CA (US)

(**) Term: **15 Years**

(21) Appl. No.: **29/631,232**

(22) Filed: **Dec. 28, 2017**

5,938,091 A	8/1999	Bergin	
D425,012 S	5/2000	Bergin	
6,641,101 B2	11/2003	Bergin	
D500,637 S *	1/2005	Shmelzer	D20/19
D516,393 S	3/2006	Wickenhauser	
RE39,392 E	11/2006	Bergin	
D548,015 S	8/2007	Bergin	
D559,630 S	1/2008	Bergin	
7,344,056 B2	3/2008	Shelmon	
D574,669 S	8/2008	Bergin	
D604,564 S	11/2009	Walter	
RE41,624 E	9/2010	Bergin	
D635,832 S	4/2011	Bergin	
D660,361 S *	5/2012	Carver, Jr.	D20/19
2002/0171214 A1 *	11/2002	Prather	B62B 3/027 280/47.35
2011/0139948 A1	6/2011	Bergin	
2012/0036754 A1 *	2/2012	Van Bortel	A47G 1/06 40/711

Related U.S. Application Data

(62) Division of application No. 29/585,323, filed on Nov. 22, 2016, now Pat. No. Des. 820,050.

(51) **LOC (12) Cl.** **07-06**

(52) **U.S. Cl.**
USPC **D7/620**

(58) **Field of Classification Search**
USPC D7/619.1-625, 701-708, 600.1-600.4,
D7/601; D20/19, 99, 10, 13-17
CPC A47G 23/02; A47G 1/06; A47G 23/0216;
A47G 23/0208; G09F 23/00; B60N
3/101; B60N 3/103; B60N 3/10; B62B
3/027; B62B 3/1472; B62B 2202/023
See application file for complete search history.

(56) **References Cited**

U.S. PATENT DOCUMENTS

D365,250 S	12/1995	Bergin	
5,531,238 A	7/1996	Azzarelli	
D382,913 S *	8/1997	DeArkland	D20/42
D383,284 S	9/1997	Lines	
D400,678 S	11/1998	Clark et al.	

* cited by examiner

Primary Examiner — Terry A Wallace

(74) *Attorney, Agent, or Firm* — Westman, Champlin & Koehler, P.A.; Z. Peter Sawicki

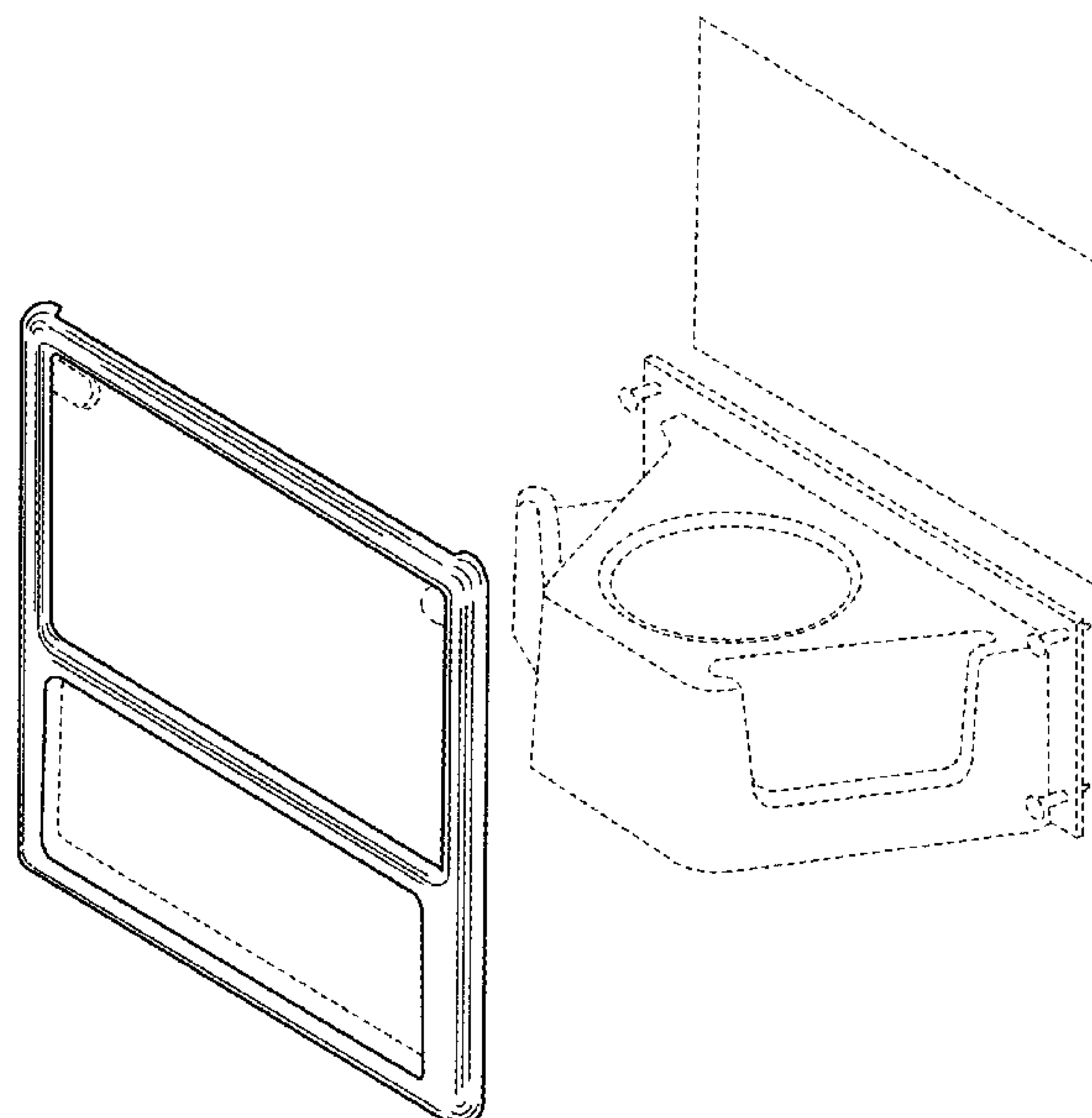
(57) **CLAIM**

The ornamental design for a frame for cup holder, as shown and described.

DESCRIPTION

FIG. 1 is a right side perspective view of a frame for use with a cup holder;
FIG. 2 is a front view of the frame;
FIG. 3 is a right side view of the frame; and,
FIG. 4 is a top view of the frame.
The bottom and back sides of the frame are not visible during normal use and form no part of the claimed design. The right and left sides of the frame are mirror images. The dashed or dotted lines form no part of the claimed design.

1 Claim, 4 Drawing Sheets



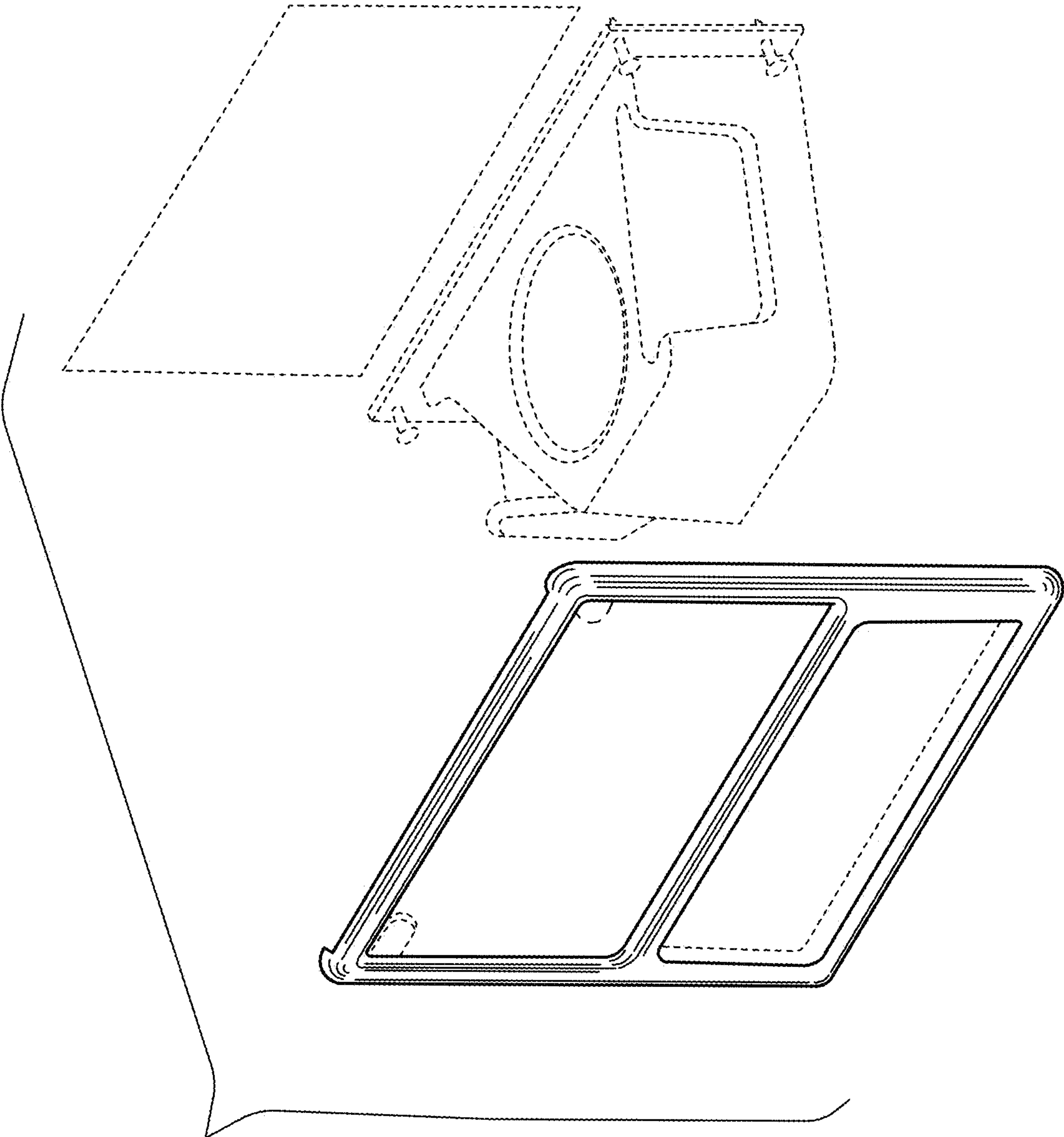


FIG. 1

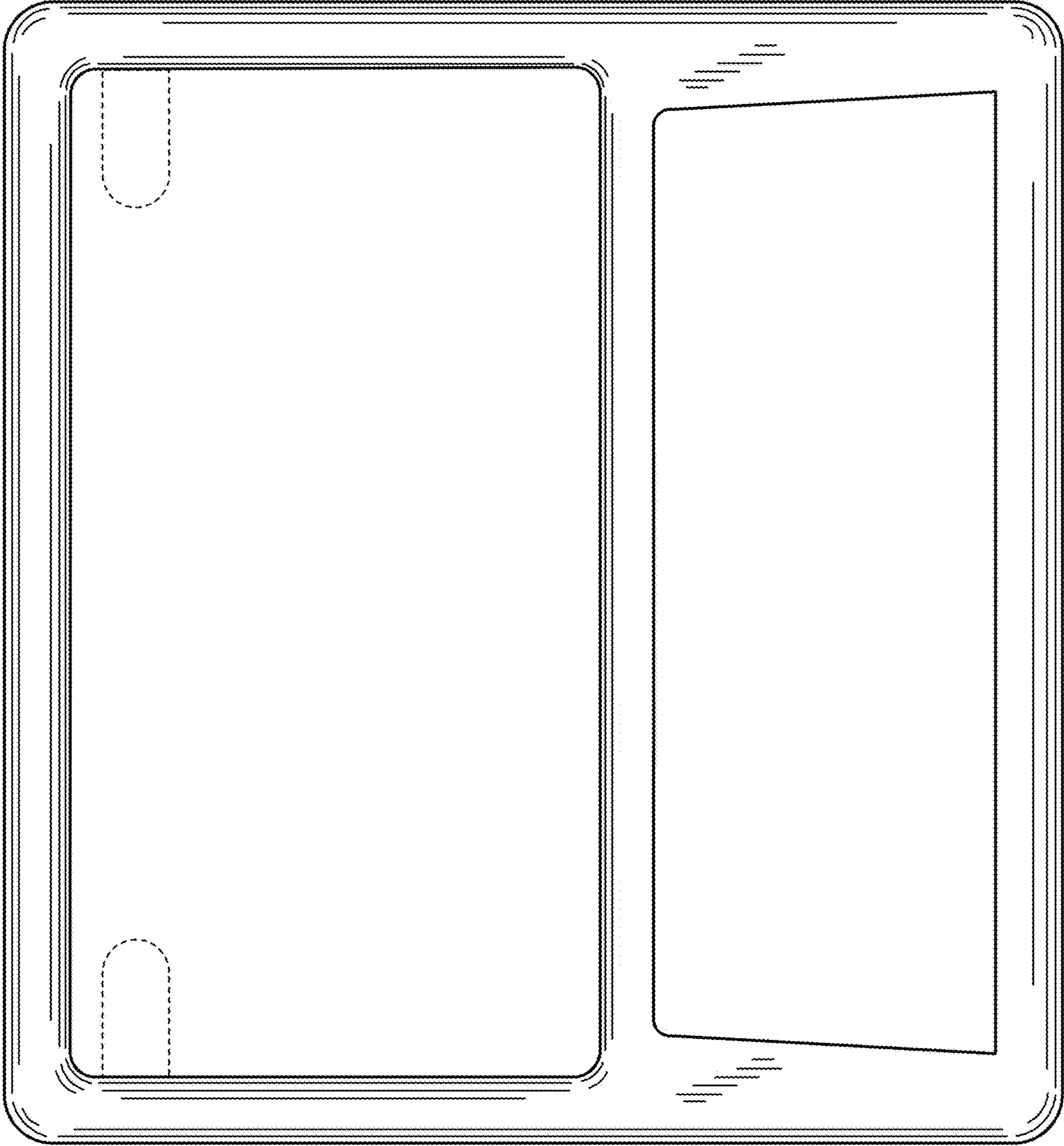


FIG. 2



FIG. 3

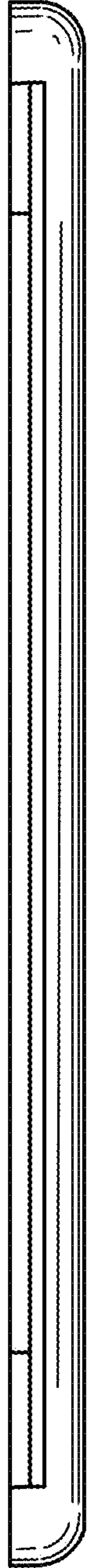


FIG. 4