



US00D869909S

(12) **United States Design Patent** (10) **Patent No.:** **US D869,909 S**  
**Campbell et al.** (45) **Date of Patent:** **\*\* Dec. 17, 2019**

(54) **CONTAINER ENCLOSURE**

FOREIGN PATENT DOCUMENTS

(71) Applicant: **CAMCAL ENTERPRISES, LLC**,  
Phoenix, AZ (US)

DE 4126215 A1 2/1993  
EP 1452455 A1 9/2004

(Continued)

(72) Inventors: **Matthew T. Campbell**, Cave Creek,  
AZ (US); **Adam Callinan**, Manhattan  
Beach, CA (US)

OTHER PUBLICATIONS

(73) Assignee: **Camcal Enterprises, LLC**, Phoenix,  
AZ (US)

Back2Tap, [online], Reusable Bottles posted on Jan. 6, 2011,  
retrieved on Jan. 28, 2019. Retrieved from, <URL: <http://www.back2tap.com/tag/stainless-steel-water-bottles/>>, 3 pages.

(Continued)

(\*\*) Term: **15 Years**

(21) Appl. No.: **29/688,748**

*Primary Examiner* — Terry A Wallace

(22) Filed: **Apr. 24, 2019**

(74) *Attorney, Agent, or Firm* — Quarles & Brady LLP

**Related U.S. Application Data**

(57) **CLAIM**

(63) Continuation of application No. 29/670,065, filed on  
Nov. 13, 2018, now Pat. No. Des. 852,001.

The ornamental design for a container enclosure, as shown  
and described.

(51) **LOC (12) Cl.** ..... **07-01**

(52) **U.S. Cl.**

USPC ..... **D7/608**

(58) **Field of Classification Search**

USPC ..... D7/605–608, 509, 510, 511;  
D9/500–505, 443, 516, 532, 522, 558

CPC ..... A47G 19/2205; A47G 2019/2294; A47G  
19/23; A47G 19/2272; A47J 41/02; A47J  
41/022; A47J 41/024; A47J 41/026; A47J  
41/028; A47J 41/00; A47J 41/0077; B65D  
81/3823; B65D 81/3818; B65D 81/3846;  
A45C 11/20

See application file for complete search history.

**DESCRIPTION**

FIG. 1 is an isometric view of a front, top, and right side of  
an ornamental design for a container enclosure;

FIG. 2 is a front elevational view of the container enclosure  
of FIG. 1;

FIG. 3 is a rear elevational view of the container enclosure  
of FIG. 1;

FIG. 4 is a right side elevational view of the container  
enclosure of FIG. 1;

FIG. 5 is a left side elevational view of the container  
enclosure of FIG. 1; and,

FIG. 6 is a top plan view of the container enclosure of FIG.  
1.

The dash-dash-dash lines are for the purpose of illustrating  
environmental structure and form no part of the claimed  
design. The dash-dot-dash line forms no part of the claimed  
design and represents a boundary line.

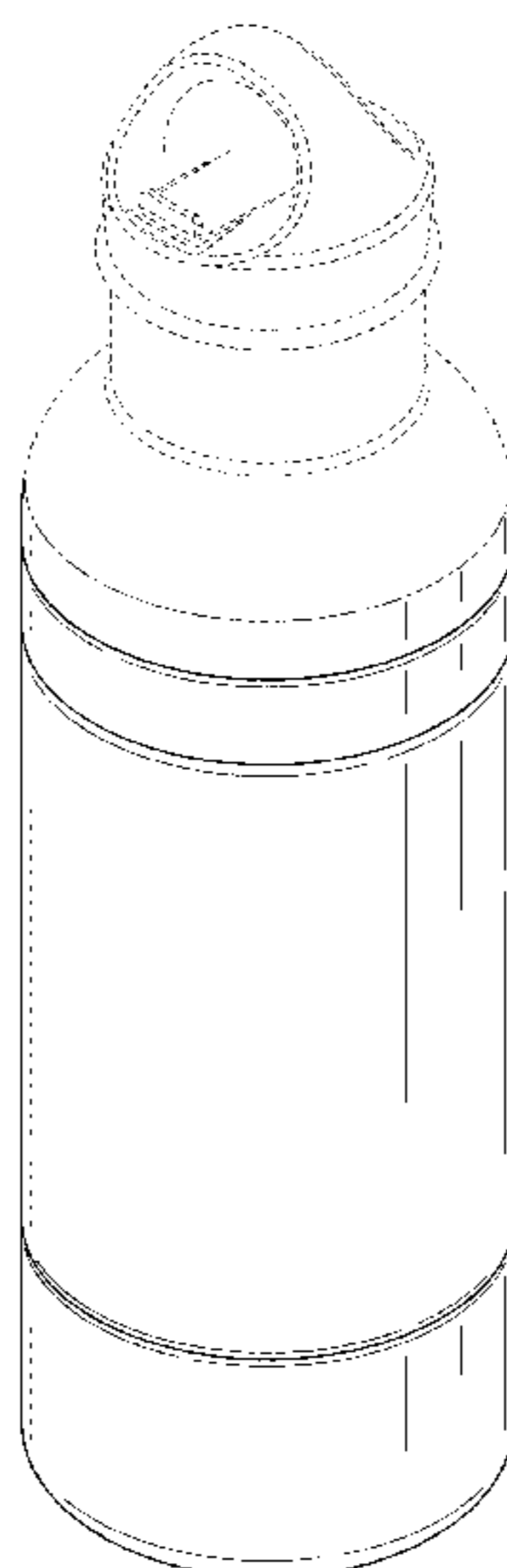
(56) **References Cited**

U.S. PATENT DOCUMENTS

441,228 A 11/1890 Cherbonnier  
460,918 A 10/1891 Kraetzer  
2,163,568 A 6/1939 Schlumbohm  
2,889,065 A 6/1959 Lawlor

(Continued)

**1 Claim, 4 Drawing Sheets**



(56)

References Cited

U.S. PATENT DOCUMENTS

|           |      |         |                    |                            |           |      |         |                           |
|-----------|------|---------|--------------------|----------------------------|-----------|------|---------|---------------------------|
| 2,963,187 | A *  | 12/1960 | Bramming .....     | A47J 41/02<br>215/12.1     | D693,170  | S    | 11/2013 | Rosbach                   |
| 3,120,319 | A    | 2/1964  | Buddrus            |                            | D695,069  | S    | 12/2013 | Lane                      |
| 3,229,840 | A    | 1/1966  | Filleul            |                            | D695,138  | S    | 12/2013 | Ball                      |
| 3,308,980 | A    | 3/1967  | Taylor             |                            | D696,118  | S    | 12/2013 | Lindstrom                 |
| 3,335,891 | A    | 8/1967  | Bailey             |                            | D696,900  | S    | 1/2014  | George et al.             |
| 4,444,324 | A    | 4/1984  | Grenell            |                            | D696,945  | S    | 1/2014  | Newman                    |
| 4,510,769 | A *  | 4/1985  | McClellan, Jr. ... | B65D 81/3879<br>215/12.1   | D699,516  | S    | 2/2014  | Kim et al.                |
| D279,346  | S    | 6/1985  | Ruxton             |                            | D700,802  | S    | 3/2014  | Miller                    |
| 4,690,300 | A    | 9/1987  | Woods              |                            | D700,808  | S    | 3/2014  | Eyal                      |
| 4,768,664 | A    | 9/1988  | Zimmermann         |                            | D702,086  | S    | 4/2014  | Thurlow                   |
| 4,811,858 | A    | 3/1989  | Augur              |                            | D702,092  | S *  | 4/2014  | Mettler ..... D7/608      |
| 4,823,974 | A    | 4/1989  | Crosser            |                            | D702,506  | S *  | 4/2014  | Mettler ..... D7/608      |
| 5,186,350 | A    | 2/1993  | McBride            |                            | D705,063  | S    | 5/2014  | Weiss                     |
| 5,213,215 | A    | 5/1993  | Prevot             |                            | D706,032  | S    | 6/2014  | Roth et al.               |
| 5,261,554 | A    | 11/1993 | Forbes             |                            | D710,155  | S    | 8/2014  | Tatsukawa                 |
| 5,417,327 | A    | 5/1995  | Saumure            |                            | D716,653  | S    | 11/2014 | Balembois                 |
| 5,635,232 | A    | 6/1997  | Wallace            |                            | D724,385  | S    | 3/2015  | Hurley et al.             |
| 5,695,090 | A    | 12/1997 | Burdick            |                            | D725,968  | S    | 4/2015  | George                    |
| 5,745,626 | A    | 4/1998  | Duck et al.        |                            | D726,476  | S    | 4/2015  | Ercanbrack                |
| 5,904,267 | A    | 5/1999  | Thompson           |                            | D727,171  | S    | 4/2015  | Marina et al.             |
| D410,548  | S    | 6/1999  | Chomik             |                            | D727,671  | S    | 4/2015  | Gamelli                   |
| 5,975,337 | A    | 11/1999 | Hadley             |                            | D729,019  | S    | 5/2015  | Kilduff et al.            |
| 5,992,677 | A    | 11/1999 | Ebine              |                            | D736,563  | S    | 8/2015  | George                    |
| 6,427,863 | B1   | 8/2002  | Nichols            |                            | D737,144  | S    | 8/2015  | Hughes et al.             |
| 6,467,644 | B1   | 10/2002 | Yeh                |                            | D738,692  | S    | 9/2015  | Kilduff et al.            |
| 6,604,649 | B1 * | 8/2003  | Campi .....        | B65D 81/3886<br>220/592.17 | D740,609  | S    | 10/2015 | Ayres                     |
| D495,208  | S    | 8/2004  | Putnam             |                            | D741,655  | S    | 10/2015 | Whelan et al.             |
| 6,793,076 | B1   | 9/2004  | Luo et al.         |                            | D743,741  | S    | 11/2015 | Itzhaki                   |
| D512,874  | S    | 12/2005 | Poulson et al.     |                            | D758,132  | S    | 6/2016  | Breit                     |
| D543,791  | S    | 6/2007  | Goto et al.        |                            | D758,800  | S    | 6/2016  | Hayslett et al.           |
| D547,610  | S    | 7/2007  | Edelstein et al.   |                            | D761,624  | S    | 7/2016  | McLean et al.             |
| D553,914  | S    | 10/2007 | Wahl               |                            | D771,357  | S    | 11/2016 | Brewer                    |
| D573,390  | S    | 7/2008  | Ablo               |                            | D772,014  | S    | 11/2016 | Ayres                     |
| D586,186  | S    | 2/2009  | Bhavnani           |                            | 9,505,527 | B1 * | 11/2016 | Campbell ..... B65D 41/04 |
| D604,561  | S    | 11/2009 | Chisholm           |                            | D774,837  | S    | 12/2016 | Seiders et al.            |
| D614,918  | S    | 5/2010  | Chisholm           |                            | D779,273  | S    | 2/2017  | Lee et al.                |
| D615,823  | S    | 5/2010  | Gilbert            |                            | D779,323  | S    | 2/2017  | Masrou                    |
| D616,743  | S    | 6/2010  | Cresswell et al.   |                            | D779,881  | S    | 2/2017  | Lee et al.                |
| D619,418  | S    | 7/2010  | Nezu et al.        |                            | D780,530  | S    | 3/2017  | Seiders et al.            |
| D621,220  | S    | 8/2010  | Lown et al.        |                            | D780,531  | S    | 3/2017  | Seiders et al.            |
| D624,362  | S    | 9/2010  | Wahl               |                            | D780,532  | S    | 3/2017  | Seiders et al.            |
| D626,416  | S *  | 11/2010 | Cresswell .....    | D7/510                     | D780,533  | S    | 3/2017  | Seiders et al.            |
| D627,227  | S    | 11/2010 | Andis              |                            | D781,662  | S    | 3/2017  | Seiders et al.            |
| D627,601  | S    | 11/2010 | Eyal               |                            | D782,881  | S    | 4/2017  | Seiders et al.            |
| D628,486  | S    | 12/2010 | Lane               |                            | D783,367  | S    | 4/2017  | Seiders et al.            |
| D632,522  | S    | 2/2011  | Wahl et al.        |                            | D783,368  | S    | 4/2017  | Seiders et al.            |
| D632,524  | S    | 2/2011  | Rosbach et al.     |                            | D784,775  | S    | 4/2017  | Seiders et al.            |
| D633,338  | S    | 3/2011  | Rosbach et al.     |                            | D785,412  | S    | 5/2017  | Petre                     |
| D635,457  | S *  | 4/2011  | Lane .....         | D7/511                     | D786,012  | S    | 5/2017  | Hein et al.               |
| D640,494  | S    | 6/2011  | Frederiksen        |                            | D786,617  | S    | 5/2017  | Breit                     |
| D648,984  | S    | 11/2011 | Gullickson et al.  |                            | D787,886  | S    | 5/2017  | Cerasani                  |
| D651,853  | S    | 1/2012  | Eyal               |                            | D787,893  | S    | 5/2017  | Seiders et al.            |
| D652,255  | S    | 1/2012  | Carland            |                            | D787,894  | S    | 5/2017  | Seiders et al.            |
| D652,682  | S    | 1/2012  | Eyal               |                            | 9,637,270 | B2   | 5/2017  | Campbell                  |
| D653,081  | S    | 1/2012  | George             |                            | D788,544  | S    | 6/2017  | Seiders et al.            |
| D655,581  | S    | 3/2012  | Kotani             |                            | D789,796  | S    | 6/2017  | McSweeney et al.          |
| D656,025  | S    | 3/2012  | Carreno            |                            | D790,285  | S    | 6/2017  | Seiders et al.            |
| D657,196  | S    | 4/2012  | Beyers, III        |                            | D791,550  | S    | 7/2017  | Marret                    |
| D658,450  | S    | 5/2012  | Ying               |                            | D794,397  | S    | 8/2017  | Seiders et al.            |
| D658,944  | S    | 5/2012  | Gilbert et al.     |                            | D795,019  | S    | 8/2017  | Seiders et al.            |
| D660,081  | S    | 5/2012  | Gilbert            |                            | D795,020  | S    | 8/2017  | Seiders et al.            |
| D661,945  | S    | 6/2012  | Eyal               |                            | D796,261  | S    | 9/2017  | Khalifa et al.            |
| D662,767  | S    | 7/2012  | Hotell et al.      |                            | D799,898  | S    | 10/2017 | Yao                       |
| D664,809  | S    | 8/2012  | Eyal               |                            | D799,900  | S    | 10/2017 | Santos et al.             |
| D670,525  | S    | 11/2012 | Fallon et al.      |                            | D799,906  | S    | 10/2017 | Seiders et al.            |
| D672,609  | S    | 12/2012 | Aziz et al.        |                            | D799,907  | S    | 10/2017 | Seiders et al.            |
| D675,882  | S    | 2/2013  | Crockett           |                            | D799,908  | S    | 10/2017 | Seiders et al.            |
| D676,708  | S    | 2/2013  | Lane               |                            | D800,502  | S    | 10/2017 | Weermink                  |
| D687,677  | S    | 8/2013  | Sturgess           |                            | D803,064  | S    | 11/2017 | Marina et al.             |
| D689,332  | S    | 9/2013  | Krasner            |                            | D803,632  | S    | 11/2017 | Seiders et al.            |
| D691,420  | S    | 10/2013 | McIntire           |                            | D804,906  | S    | 12/2017 | Diener et al.             |
| D691,849  | S    | 10/2013 | Cetera et al.      |                            | D805,852  | S    | 12/2017 | Seiders et al.            |
|           |      |         |                    |                            | D806,477  | S    | 1/2018  | Wray et al.               |
|           |      |         |                    |                            | D807,125  | S    | 1/2018  | Seiders et al.            |
|           |      |         |                    |                            | D808,220  | S    | 1/2018  | Burns et al.              |
|           |      |         |                    |                            | D809,344  | S    | 2/2018  | Guthrie                   |
|           |      |         |                    |                            | D809,920  | S    | 2/2018  | Maple                     |
|           |      |         |                    |                            | D811,817  | S    | 3/2018  | Harrington, III et al.    |
|           |      |         |                    |                            | D811,818  | S    | 3/2018  | Wu                        |

(56)

References Cited

U.S. PATENT DOCUMENTS

D813,613 S 3/2018 Wall  
 D814,241 S 4/2018 Nickley et al.  
 D814,865 S 4/2018 Breit  
 D816,411 S 5/2018 Stover  
 D817,713 S 5/2018 Lin  
 D817,714 S 5/2018 Breit  
 D818,775 S 5/2018 Woodruff  
 D819,403 S 6/2018 Li et al.  
 D820,650 S 6/2018 Seiders et al.  
 D821,138 S 6/2018 Silsby et al.  
 D823,068 S 7/2018 Seiders et al.  
 D823,069 S 7/2018 Seiders et al.  
 D824,218 S 7/2018 Seiders et al.  
 D828,094 S 9/2018 Jackson et al.  
 D828,095 S 9/2018 Jackson et al.  
 D829,056 S 9/2018 Wall  
 D829,058 S 9/2018 Seiders et al.  
 D829,101 S 9/2018 Spivey et al.  
 D830,773 S 10/2018 Jacobsen  
 D830,774 S 10/2018 Jacobsen  
 D830,784 S 10/2018 Moore et al.  
 D831,436 S 10/2018 Seiders et al.  
 D834,373 S 11/2018 Spivey et al.  
 10,118,735 B2 11/2018 Campbell  
 D837,597 S 1/2019 Silsby  
 2004/0045972 A1 3/2004 Stokes  
 2004/0124192 A1 7/2004 Teller  
 2005/0224442 A1 10/2005 White  
 2005/0269322 A1 12/2005 Betras et al.  
 2007/0051687 A1 3/2007 Olson  
 2007/0119517 A1 5/2007 Grace  
 2007/0125785 A1 6/2007 Robinson et al.  
 2007/0175906 A1 8/2007 Caladrino  
 2007/0221693 A1 9/2007 Moore  
 2009/0056369 A1 3/2009 Fink et al.  
 2009/0266737 A1 10/2009 Cole  
 2010/0005828 A1 1/2010 Fedell  
 2010/0084362 A1 4/2010 Letchinger et al.  
 2010/0288723 A1 11/2010 Mayer  
 2011/0011823 A1 1/2011 Moore  
 2011/0114588 A1 5/2011 Nowzari  
 2011/0204048 A1\* 8/2011 Carino ..... A45F 3/18  
 2012/0145591 A1 6/2012 Ceder 220/4.03

2012/0199548 A1 8/2012 Kitto  
 2013/0153591 A1 6/2013 Grimes et al.  
 2013/0206717 A1\* 8/2013 Lane ..... A47J 31/18  
 215/6  
 2014/0238949 A1\* 8/2014 Patel ..... B65D 21/0228  
 215/6  
 2015/0021346 A1 1/2015 Cappuccio  
 2018/0194518 A1 7/2018 Li et al.  
 2018/0194537 A1 7/2018 Chan

FOREIGN PATENT DOCUMENTS

FR 1054716 A 2/1954  
 JE 102004025620 A1 2/2006  
 JP 2008030773 A 2/2008  
 KR 20100000510 U 1/2010  
 TW M460607 U 9/2013  
 WO 2008063750 A2 5/2008

OTHER PUBLICATIONS

Benefits of Stainless Steel Water Bottles, [online] posted on Mar. 1, 2012, retrieved on Jan. 28, 2019. Retrieved from <URL: <https://b2bbusinessnews.wordpress.com/2012/03/01/benefits-of-stainless-steel-water-bottles/>>, 3 pages.  
 Brewtis the BottleKeeper. [online], posted on Dec. 28, 2013, retrieved on Jan. 28, 2019. Retrieved from, <URL: <http://www.dudeiwantthat.com/gear/food-drink/brewtis-the-bottlekeeper.asp>>, 22 pages.  
 EarthLust Stainless Steel Water Bottle, [online], product reviewed on Oct. 17, 2008, retrieved on Jan. 28, 2019, Retrieved from, <URL: <https://www.amazon.com/dp/B001DYOCOW?tag=new-best-seller-20>>, 4 pages.  
 Neiko 71010 Stainless Steel Sports Water Bottle, [online], published on Nov. 3, 2009, retrieved on Jan. 28, 2019, Retrieved from, <URL: [https://www.amazon.com/Eco-Friendly-Mouth-Stainless-Steel-Bottle/dp/B002VDA2AC/ref=sr\\_1\\_107?s=sporting-goods&ie=UTF8&qid=1396116064&s%E2%80%A6](https://www.amazon.com/Eco-Friendly-Mouth-Stainless-Steel-Bottle/dp/B002VDA2AC/ref=sr_1_107?s=sporting-goods&ie=UTF8&qid=1396116064&s%E2%80%A6)>, 8 pages.  
 Wawabots Personalized Photo Water Bottles, [online], published on Nov. 30, 2011, retrieved on Jan. 28, 2019. Retrieved from, <URL: <https://inhabitat.com/inhabitatots/product-review-wawabots-personalized-photo-water-bottles/>>, 7 pages.

\* cited by examiner

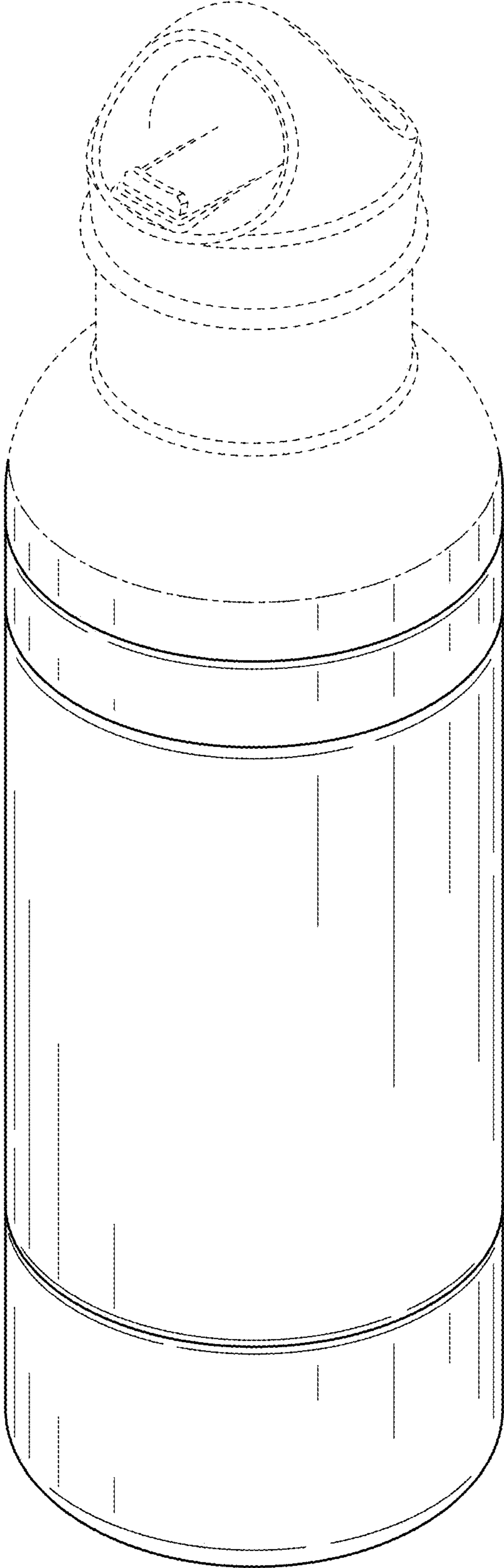


FIG. 1

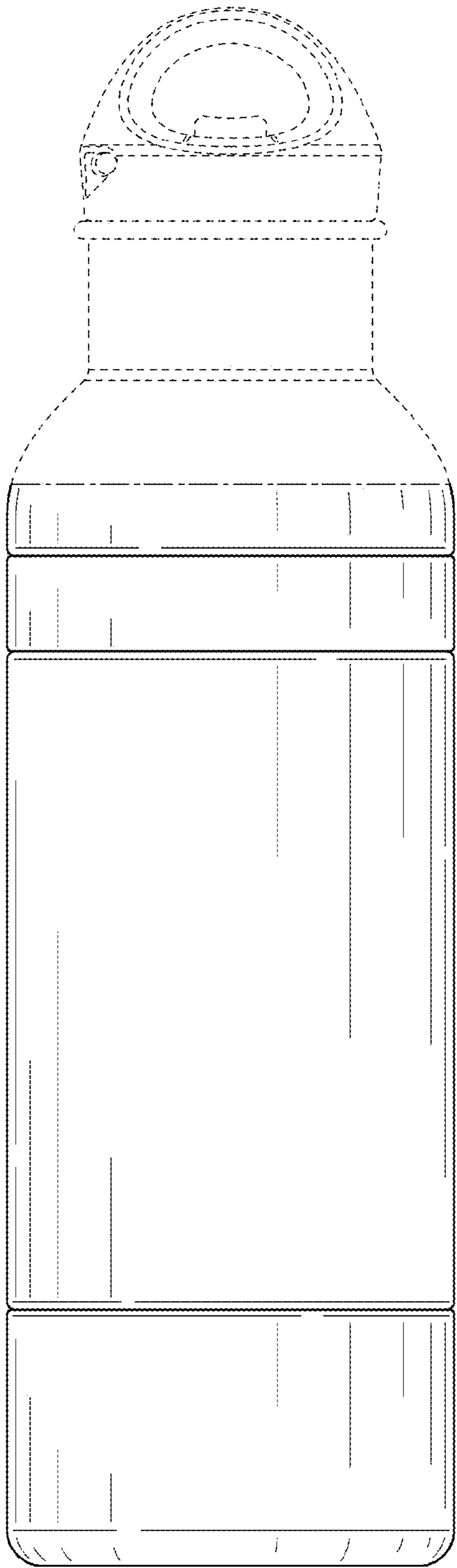


FIG. 2

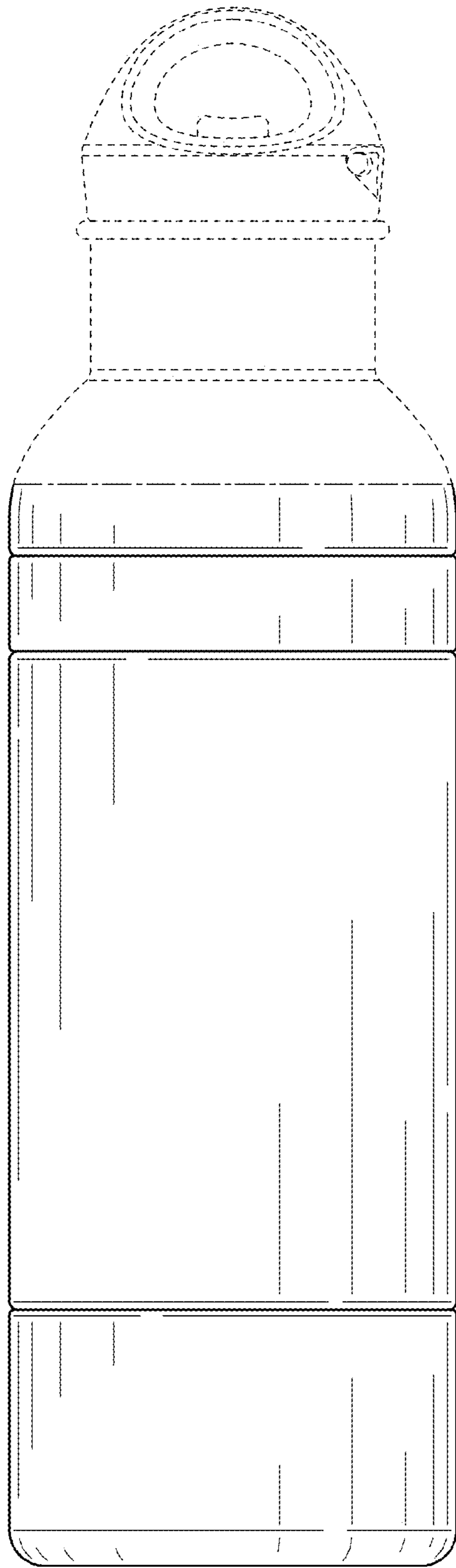


FIG. 3

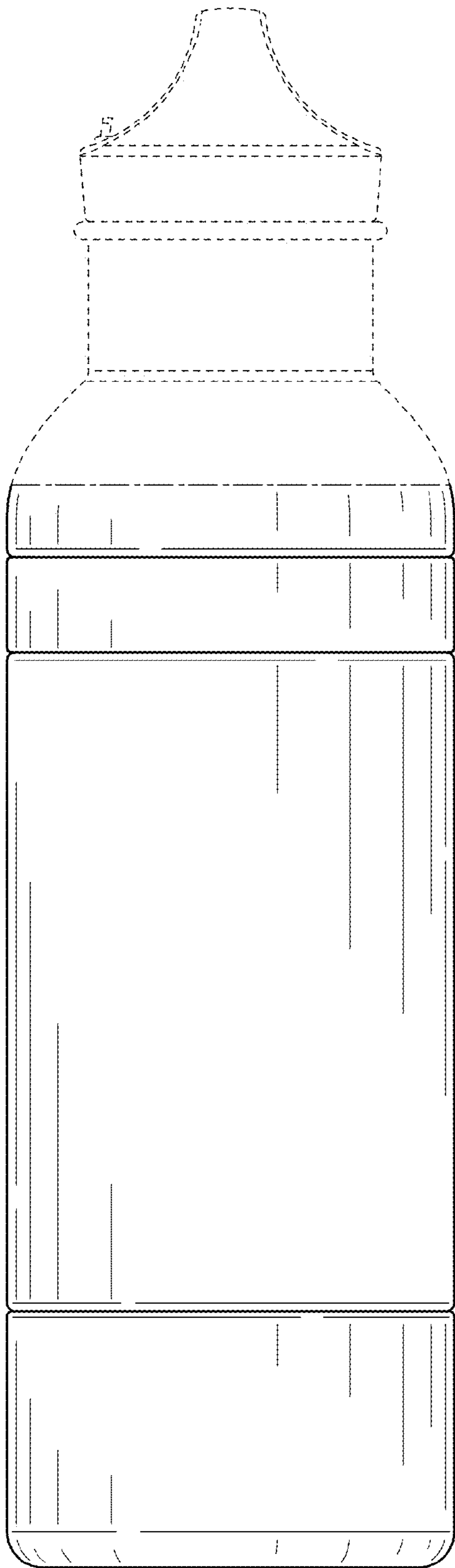


FIG. 4

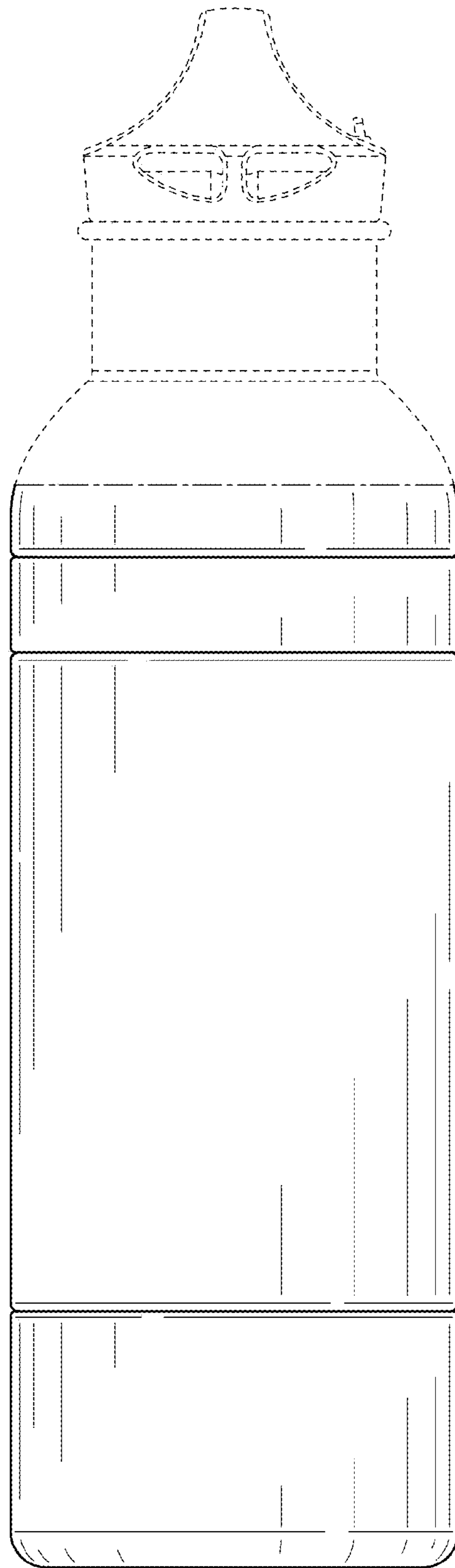


FIG. 5

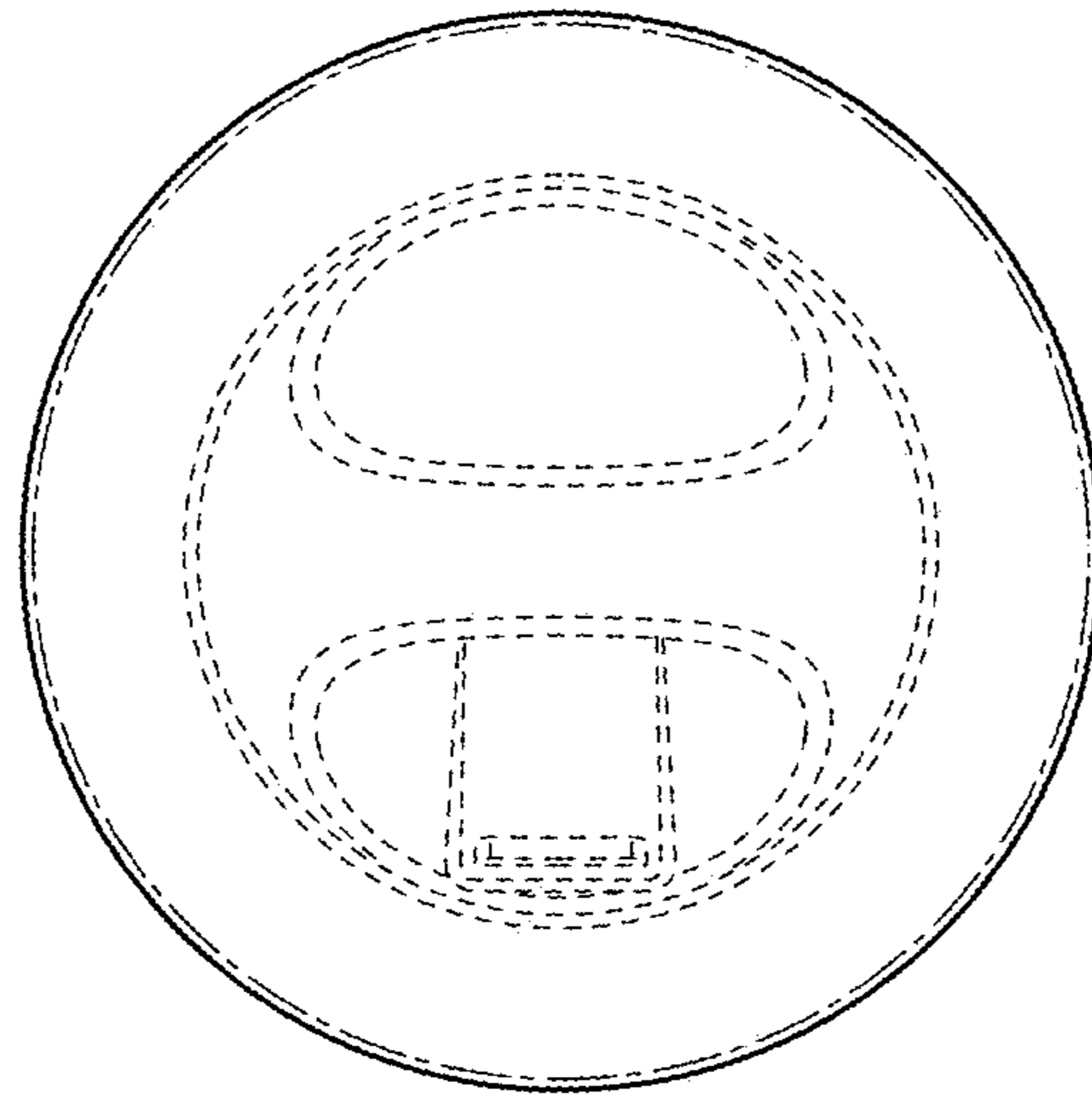


FIG. 6