

US00D869908S

(12) **United States Design Patent** (10) **Patent No.:** **US D869,908 S**
DeWolf et al. (45) **Date of Patent:** **** *Dec. 17, 2019**

(54) **PORTABLE CADDY**

(56) **References Cited**

(71) Applicants: **Mark DeWolf**, Detroit, MI (US);
Michael Tomaszewski, St. Claire
Shores, MI (US)

U.S. PATENT DOCUMENTS

D211,042	S	*	5/1968	Stageberg	D7/590
D218,722	S	*	9/1970	Vaccaro	D3/308
3,907,105	A	*	9/1975	Nowak	B25H 3/02
						206/203
4,505,059	A	*	3/1985	Morris	G09F 23/06
						206/459.5
D284,235	S	*	6/1986	Zinter-Chahin	D19/77
D301,667	S	*	6/1989	Barrs	D6/518
D310,749	S	*	9/1990	Ancona	D3/308
D320,687	S	*	10/1991	Perry	D3/309
D326,347	S	*	5/1992	Ancona	D3/308
D358,176	S	*	5/1995	Atkinson	D20/21
D382,711	S	*	8/1997	Wyman	D3/309
5,701,694	A	*	12/1997	Atkinson	G09F 3/20
						40/124.2

(72) Inventors: **Mark DeWolf**, Detroit, MI (US);
Michael Tomaszewski, St. Claire
Shores, MI (US)

(*) Notice: This patent is subject to a terminal disclaimer.

(**) Term: **15 Years**

(21) Appl. No.: **29/579,743**

(Continued)

(22) Filed: **Oct. 3, 2016**

Primary Examiner — Terry A Wallace

(74) *Attorney, Agent, or Firm* — Cantor Colburn LLP

Related U.S. Application Data

(60) Continuation of application No. 29/484,612, filed on Mar. 11, 2014, now Pat. No. Des. 767,942, which is a continuation of application No. 29/440,720, filed on Dec. 26, 2012, now Pat. No. Des. 700,809, which is a division of application No. 29/408,497, filed on Dec. 13, 2011, now Pat. No. Des. 673,427, which is a division of application No. 29/378,209, filed on Nov. 1, 2010, now Pat. No. Des. 651,858, which is a division of application No. 29/302,014, filed on Jan. 8, 2008, now Pat. No. Des. 626,381.

(51) **LOC (12) Cl.** **07-07**

(52) **U.S. Cl.**
USPC **D7/601**

(58) **Field of Classification Search**
USPC ... D7/601, 701-707, 590, 592, 600.1-600.4;
D3/304-315; D20/10, 19, 21, 99
CPC A47G 21/16; A47G 23/06; G09F 23/06;
G09F 3/20

See application file for complete search history.

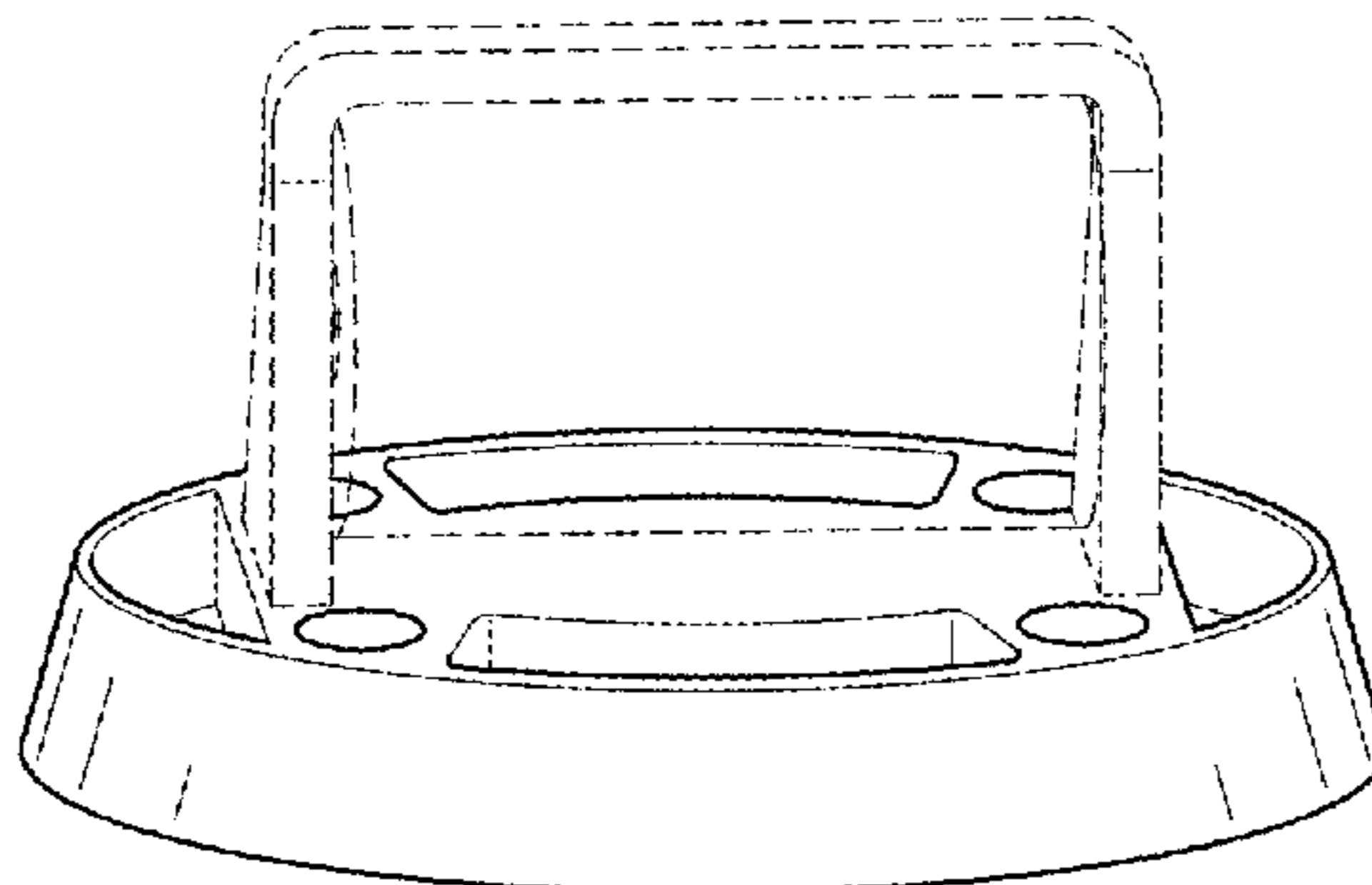
(57) **CLAIM**

We claim, the ornamental design for a portable caddy, as shown and described.

DESCRIPTION

FIG. 1 is a perspective view of a portable caddy showing our new design;
FIG. 2 is a front view thereof;
FIG. 3 is a top plan view thereof;
FIG. 4 is a side view thereof, the opposite side being a mirror image;
FIG. 5 is a perspective view of an alternate embodiment of FIG. 1;
FIG. 6 is a front view of FIG. 5;
FIG. 7 is a top plan view of FIG. 5; and,
FIG. 8 is a side view of FIG. 5, the opposite being a mirror image.

(Continued)



The broken lines are for illustrative purposes only and form no part of the claimed design.

1 Claim, 2 Drawing Sheets

(56)

References Cited

U.S. PATENT DOCUMENTS

5,890,589	A *	4/1999	Lorens	A47G 23/06 206/232
6,375,115	B1 *	4/2002	Reed	B25H 3/02 206/389
6,745,895	B2 *	6/2004	Silvers	B65D 1/36 206/233
D500,637	S *	1/2005	Shmelzer	D20/19

* cited by examiner

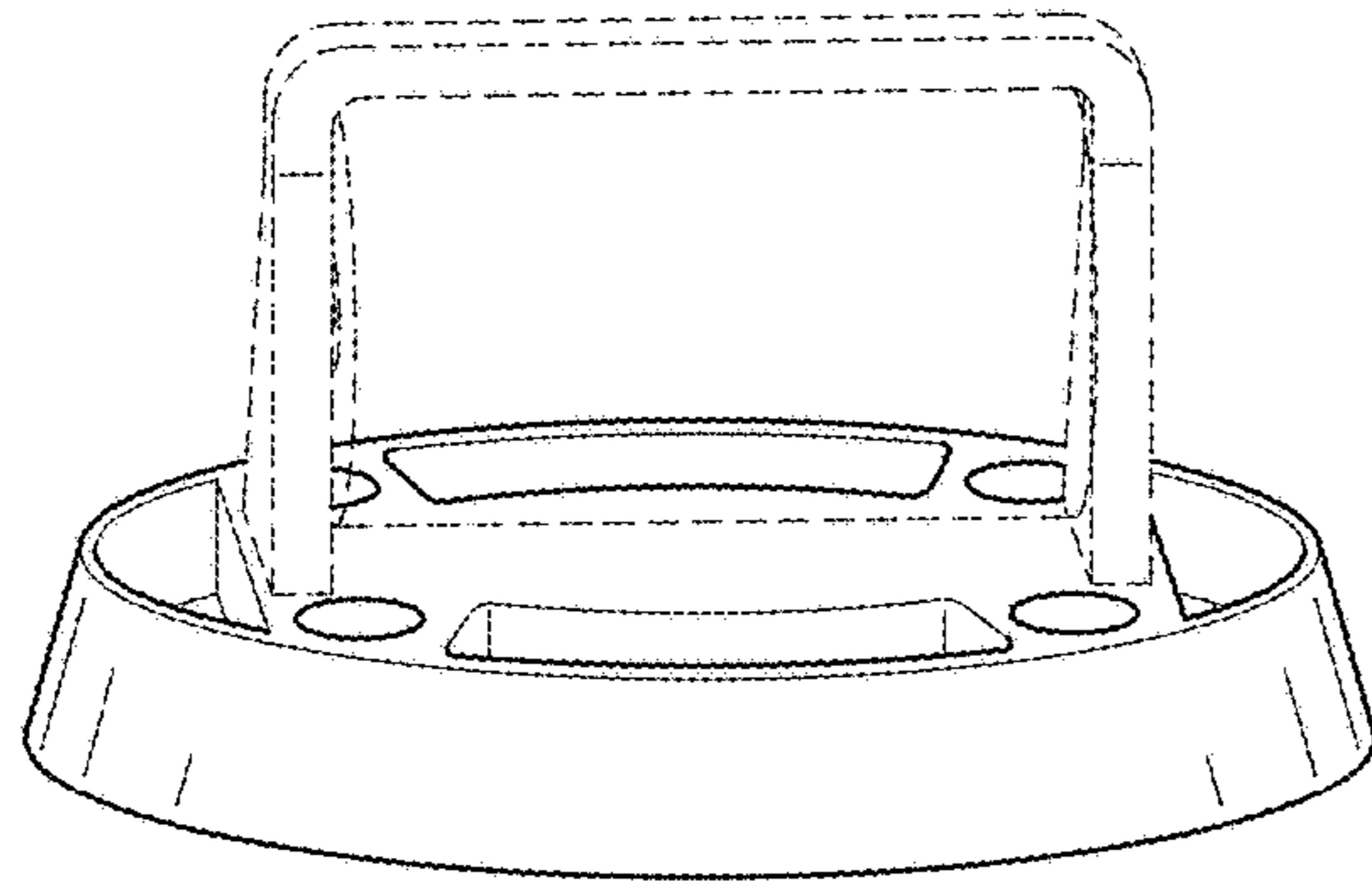


FIG. 1

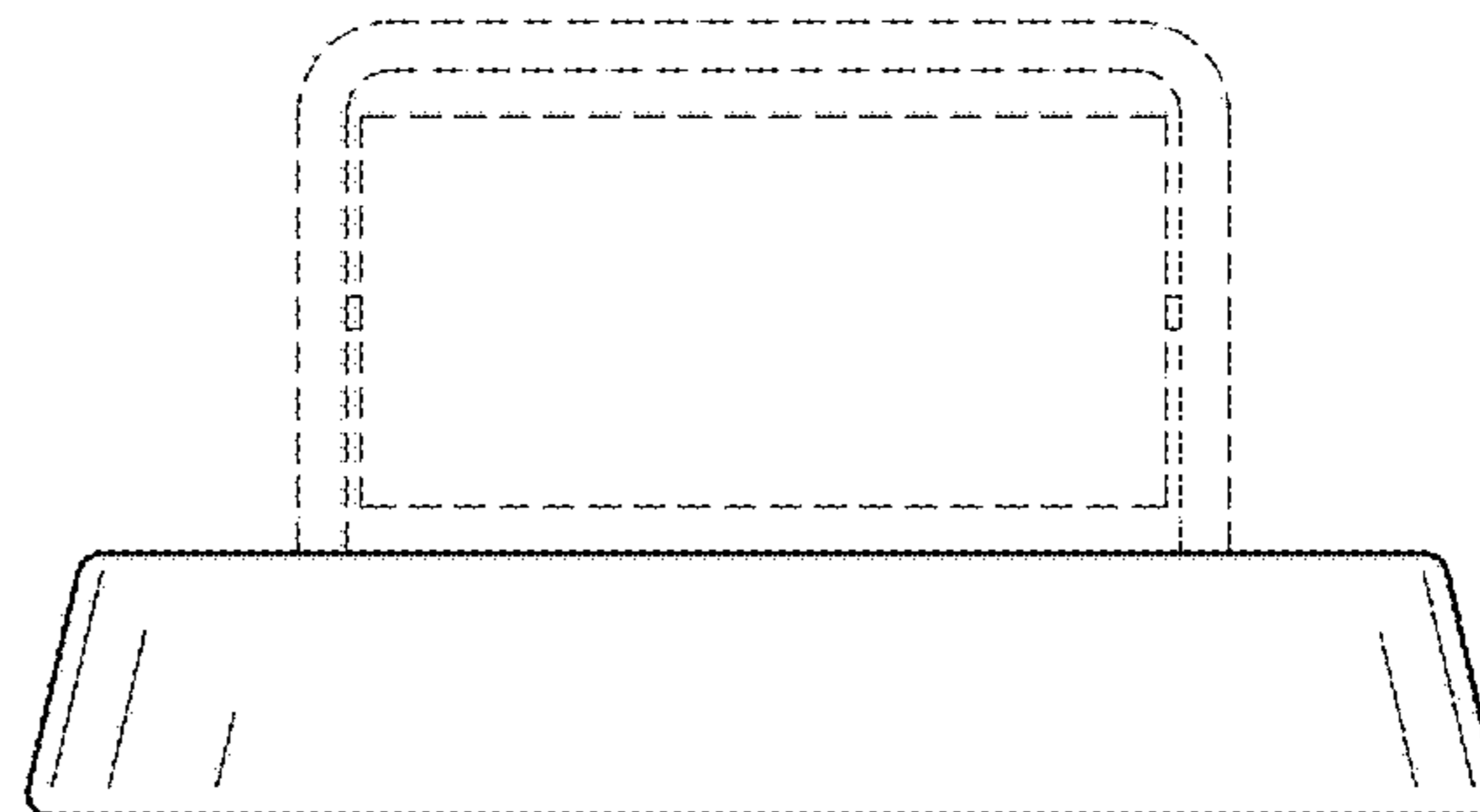


FIG. 2

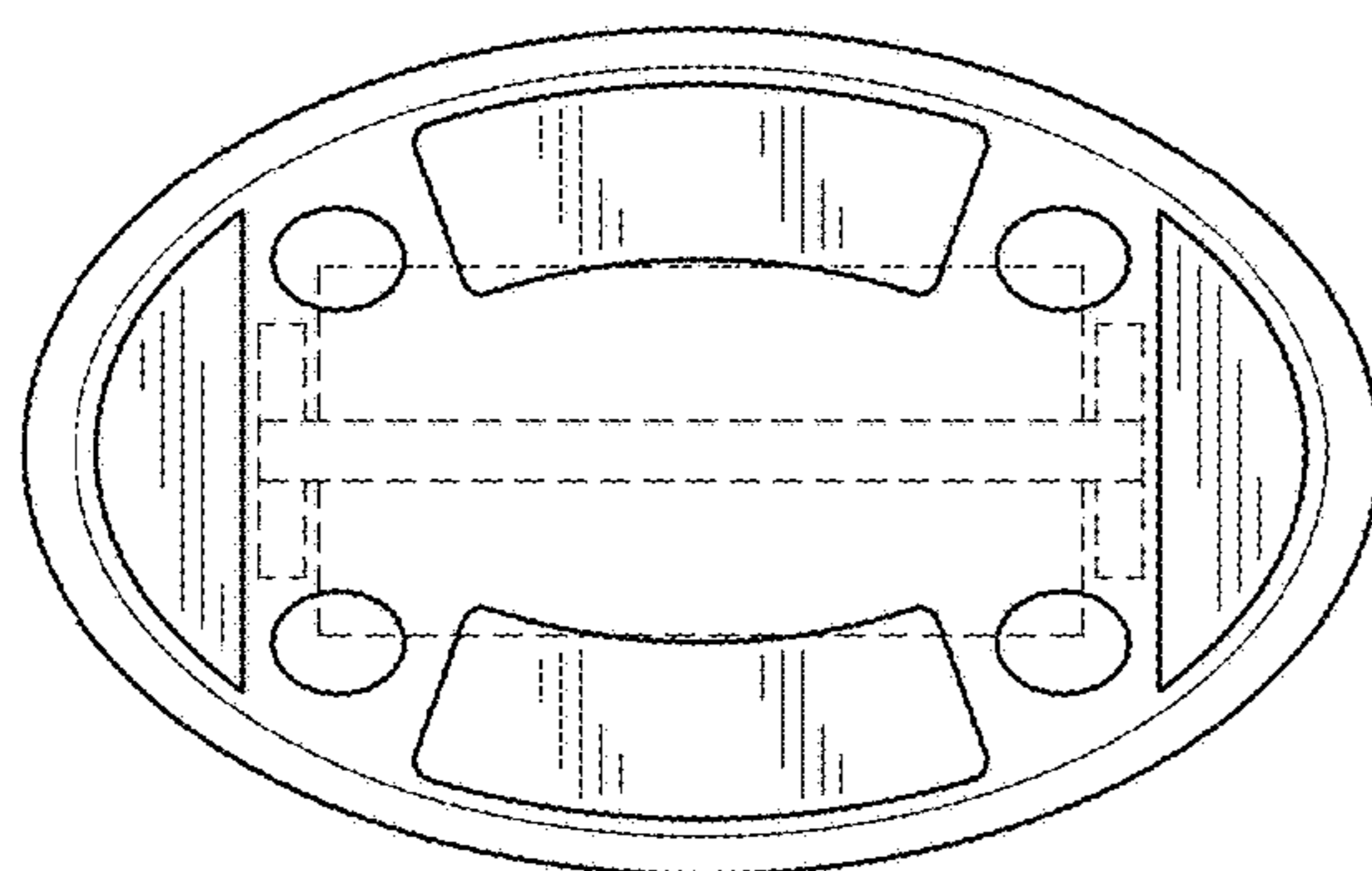


FIG. 3

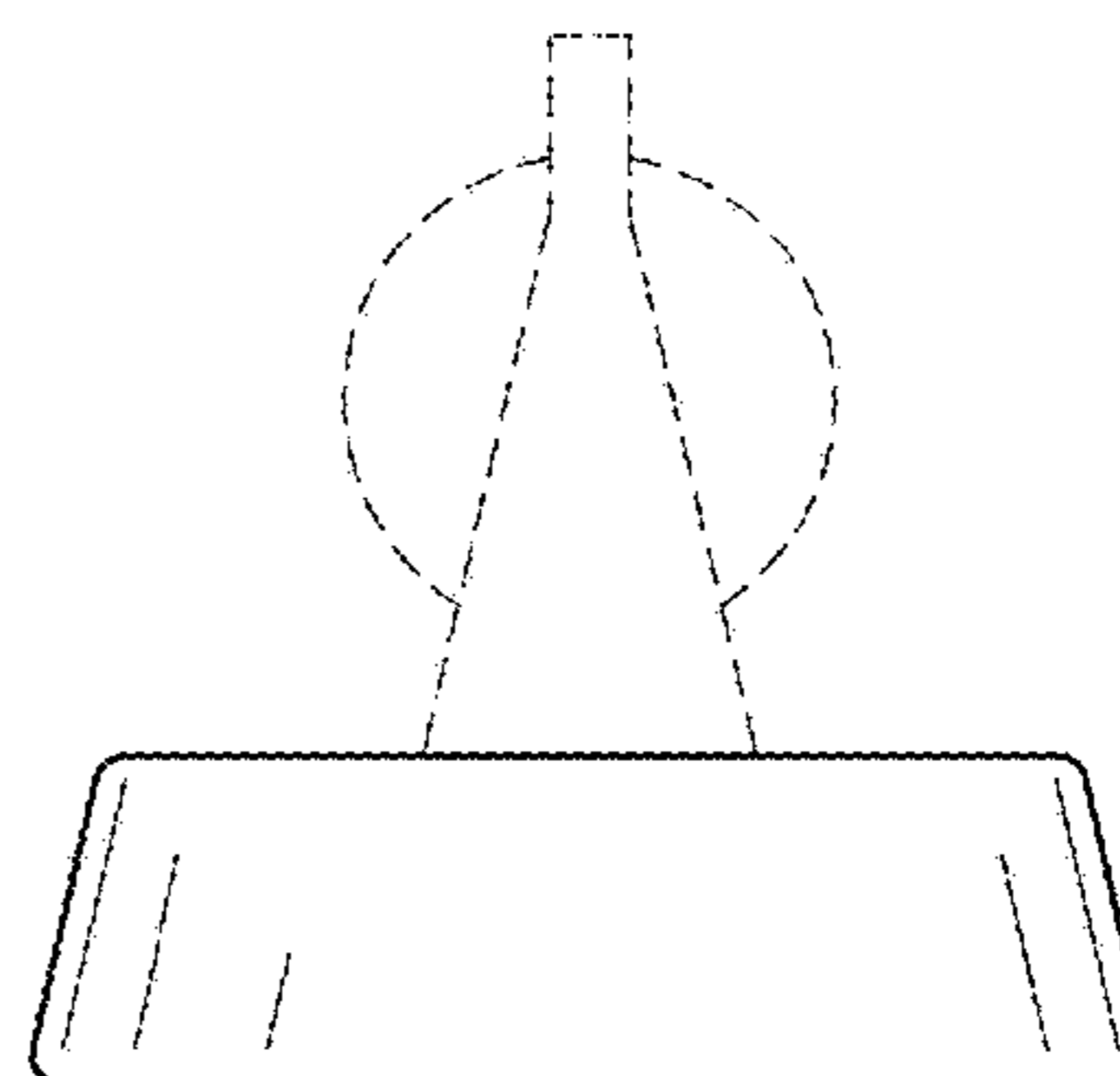


FIG. 4

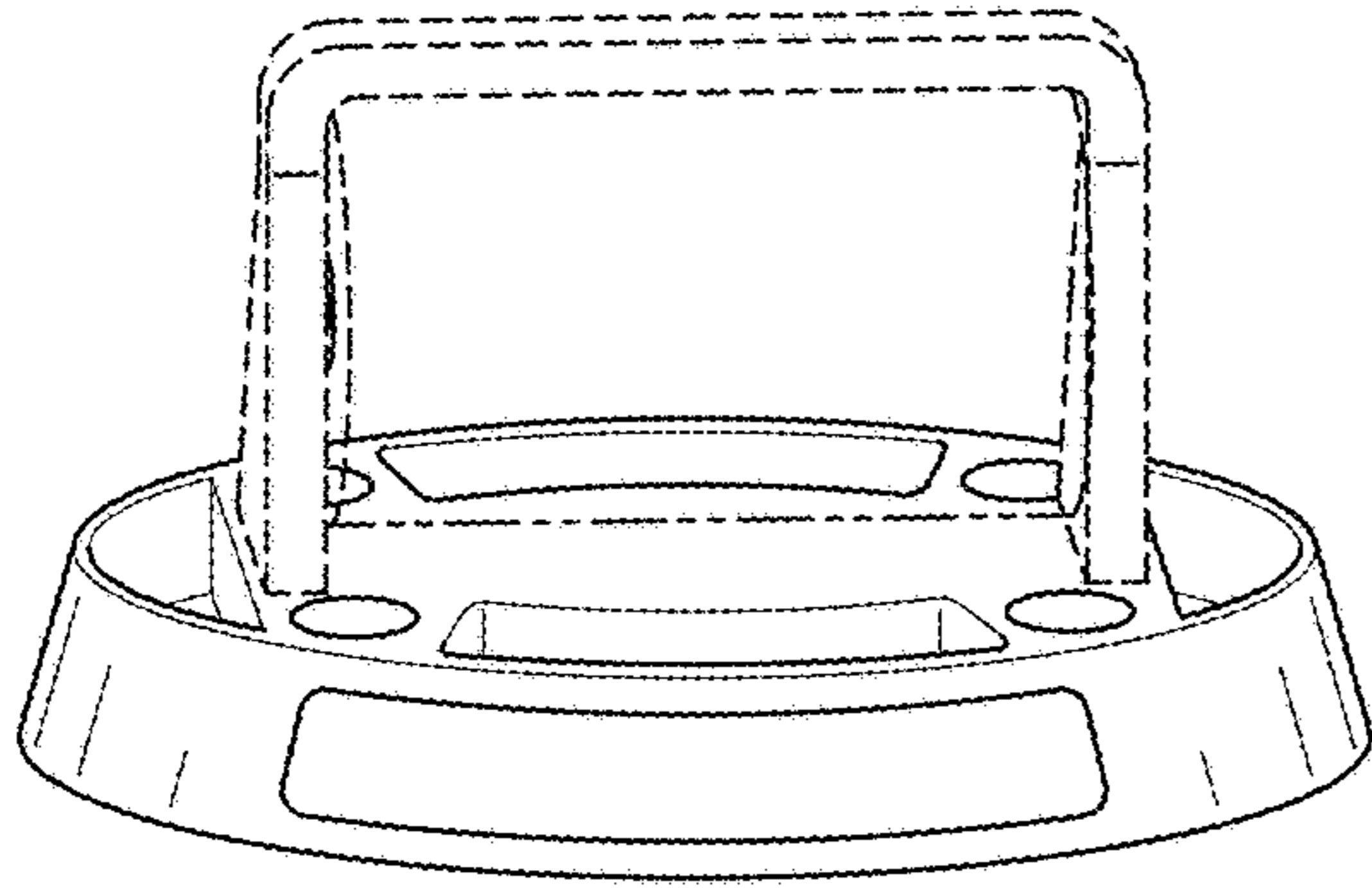


FIG. 5

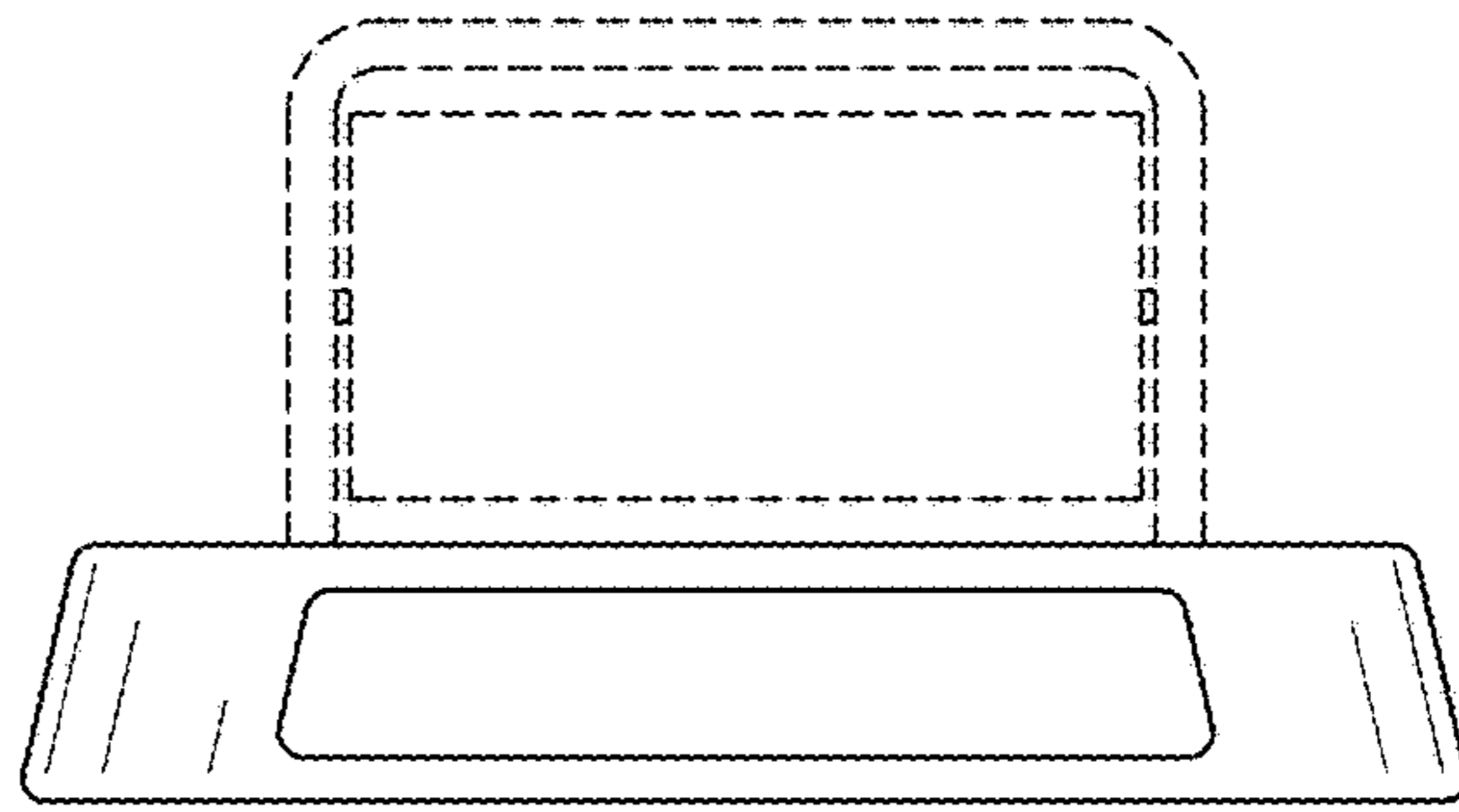


FIG. 6

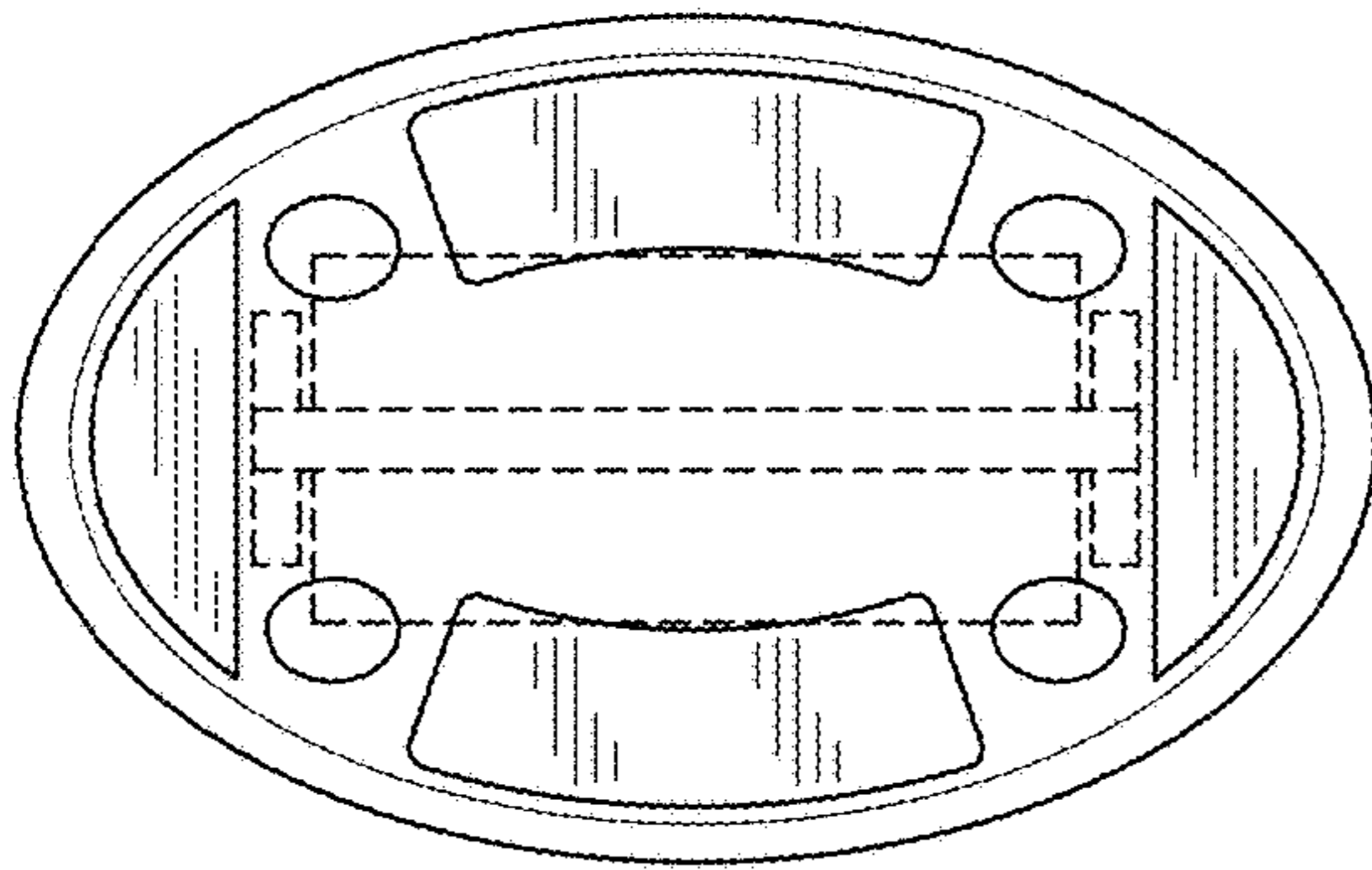


FIG. 7

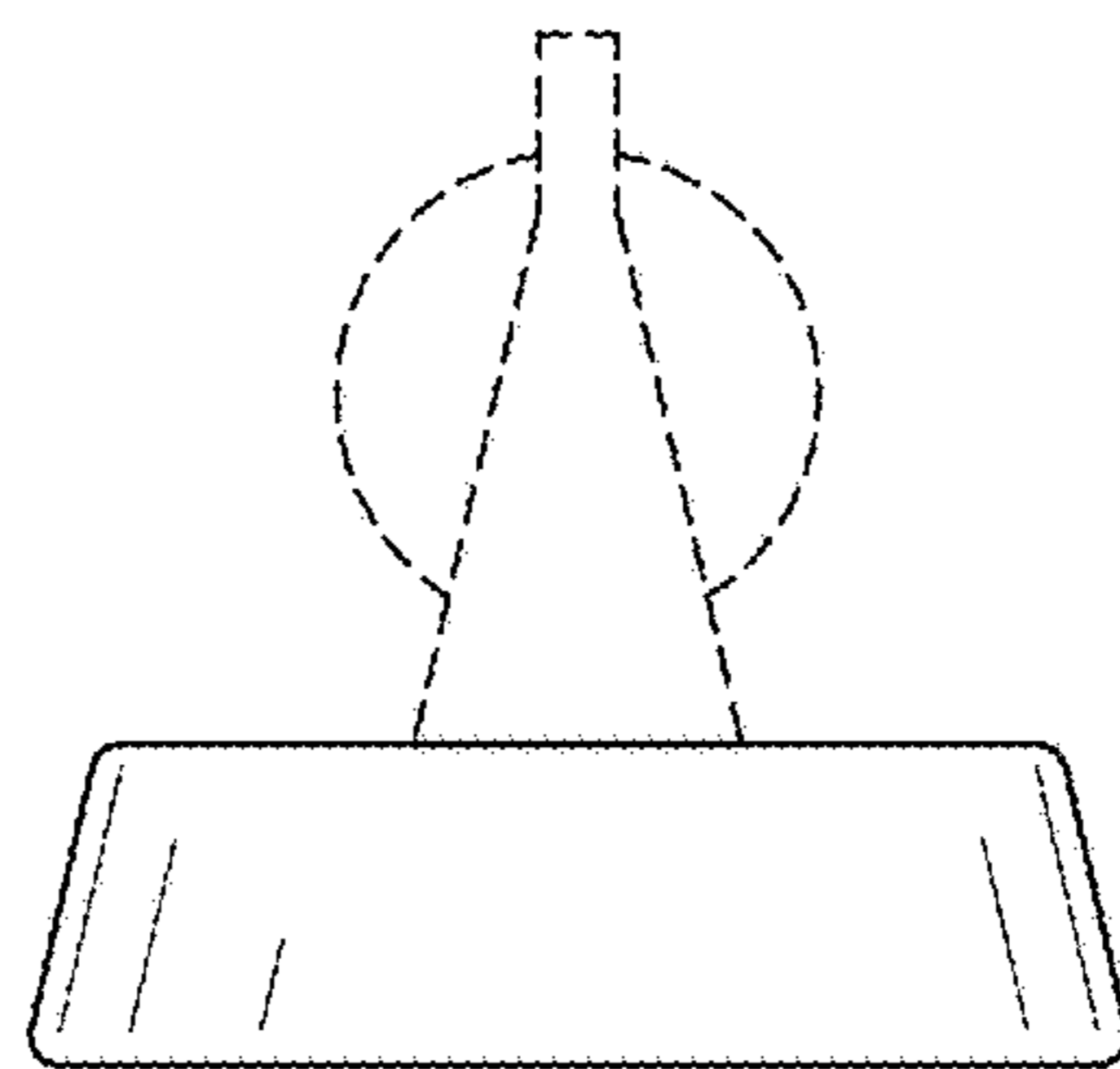


FIG. 8