

US00D869907S

(12) **United States Design Patent** (10) **Patent No.:** **US D869,907 S**  
**Aviav** (45) **Date of Patent:** **\*\* Dec. 17, 2019**

(54) **ROUND PLATE**  
(71) Applicant: **Decorline Inc**, Brooklyn, NY (US)  
(72) Inventor: **Israel Aviav**, Petach Tikvah (IL)  
(\*\*) Term: **15 Years**  
(21) Appl. No.: **29/590,663**  
(22) Filed: **Jan. 12, 2017**  
(51) **LOC (12) Cl.** ..... **07-01**  
(52) **U.S. Cl.**  
USPC ..... **D7/585**; D7/588  
(58) **Field of Classification Search**  
USPC ..... D7/570, 566, 588, 584, 565, 560, 587,  
D7/585  
CPC ..... A47G 19/2205; A47G 2019/122; A47G  
19/03  
See application file for complete search history.

D498,391 S \* 11/2004 Wellner ..... D7/551.1  
D513,935 S \* 1/2006 Achenbach ..... D7/585  
D537,678 S \* 3/2007 Glander ..... D7/554.3  
D575,990 S \* 9/2008 Altiner ..... D7/566  
D577,963 S \* 10/2008 Eide ..... D7/585  
D589,300 S \* 3/2009 Altiner ..... D7/392.1  
D589,301 S \* 3/2009 Altiner ..... D7/392.1  
D607,279 S \* 1/2010 Hollis ..... D7/545  
D634,586 S \* 3/2011 Bernardaud ..... D7/585  
D640,099 S \* 6/2011 Marshall ..... D7/584  
D647,761 S \* 11/2011 Weber ..... D7/587  
D685,611 S \* 7/2013 Jones ..... D7/544  
D699,518 S \* 2/2014 Klimecki ..... D7/565  
D730,115 S \* 5/2015 Miller ..... D7/396.4  
D734,102 S \* 7/2015 Schonfeld ..... D7/645  
D737,099 S \* 8/2015 Marshall ..... D7/500  
D760,031 S \* 6/2016 Jondal ..... D7/587  
D786,625 S \* 5/2017 Passot ..... D7/586  
D817,103 S \* 5/2018 Clarichetti ..... D7/585  
D820,640 S \* 6/2018 Aviav ..... D7/529

\* cited by examiner

*Primary Examiner* — Cynthia R Underwood  
(74) *Attorney, Agent, or Firm* — Liel Hollander

(56) **References Cited**

**U.S. PATENT DOCUMENTS**

D16,150 S \* 7/1885 Ledig ..... D7/554.3  
D81,293 S \* 6/1930 Kirkpatrick ..... D7/585  
D95,752 S \* 5/1935 Kaiser ..... D7/585  
D232,684 S \* 9/1974 Eicholtz ..... 220/574  
4,075,769 A \* 2/1978 Young ..... A47G 19/025  
220/23.8  
D421,873 S \* 3/2000 Sundberg ..... D7/396.1  
D422,845 S \* 4/2000 Wonder ..... D7/571  
D434,277 S \* 11/2000 Martel ..... D7/586  
D434,947 S \* 12/2000 Wellner ..... D7/586  
D474,941 S \* 5/2003 Wellner ..... D7/396.5  
D478,477 S \* 8/2003 Tisdale ..... D7/586  
D481,262 S \* 10/2003 Tisdale ..... D7/586  
D484,002 S \* 12/2003 Carlson ..... D7/584  
D485,472 S \* 1/2004 McMullin ..... D7/545  
D489,227 S \* 5/2004 Wellner ..... D7/554.3

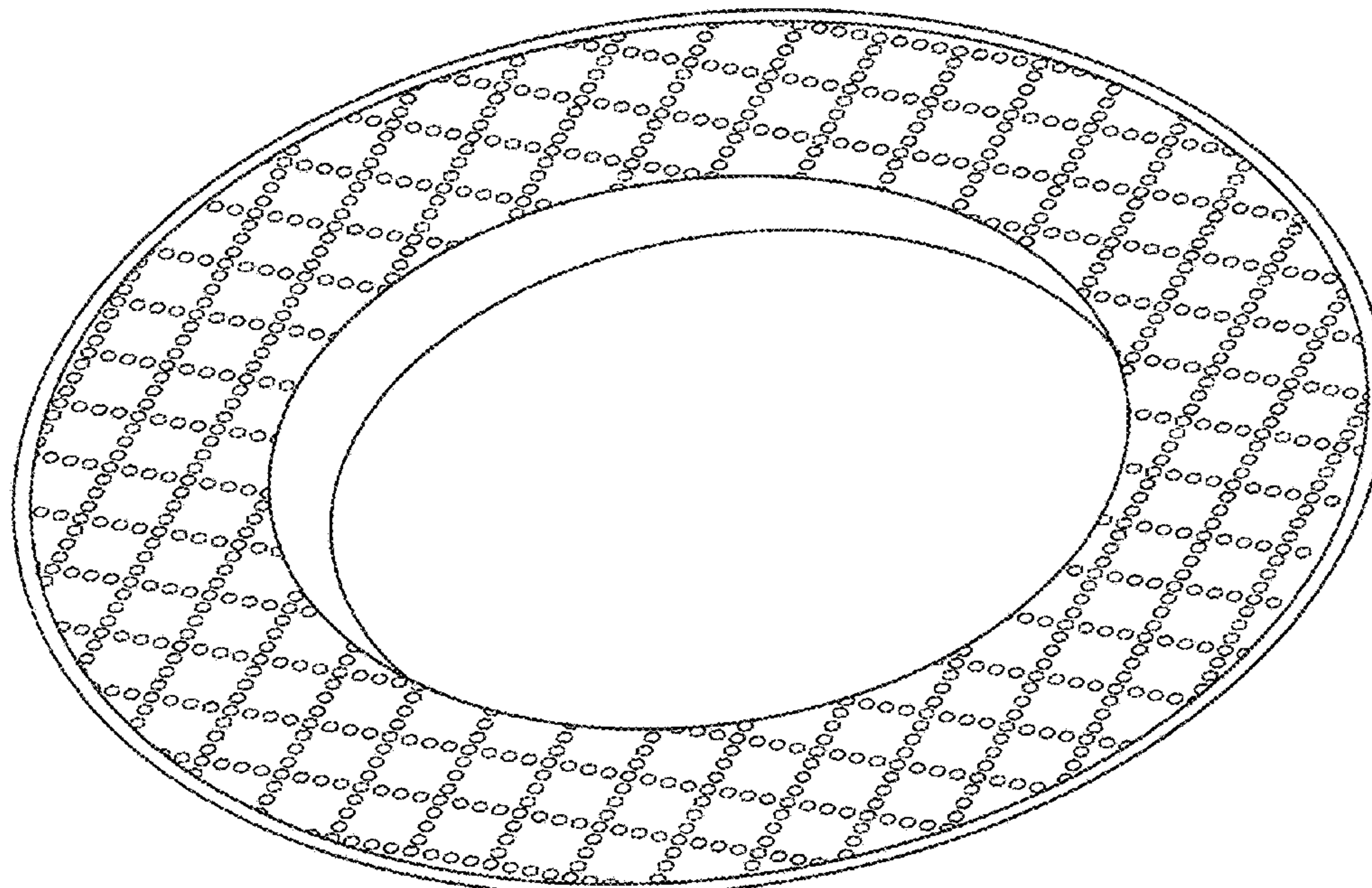
(57) **CLAIM**

I claim the ornamental design for a round plate, as shown and described.

**DESCRIPTION**

FIG. 1 is a perspective view thereof;  
FIG. 2 is a front elevation view thereof;  
FIG. 3 is a right-side elevation view thereof;  
FIG. 4 is a top plan view thereof; and,  
FIG. 5 is a bottom plan view thereof.  
The broken lines represent portions of the structure that form no part of the claim.

**1 Claim, 3 Drawing Sheets**



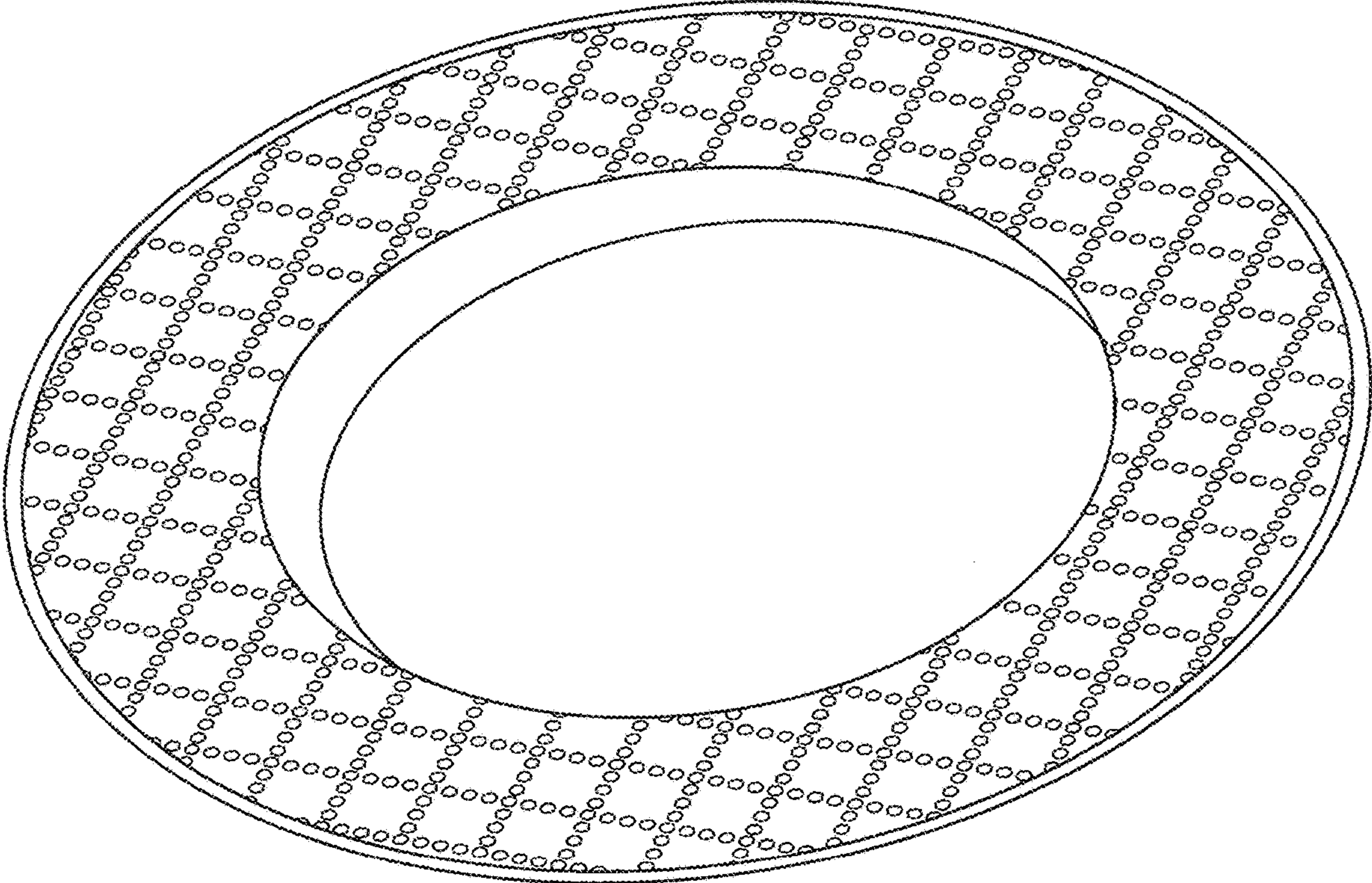


FIG. 1

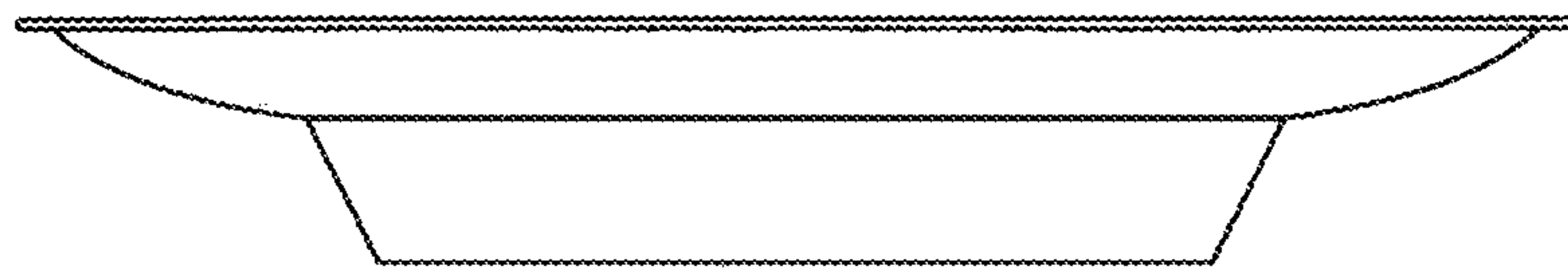


FIG. 2

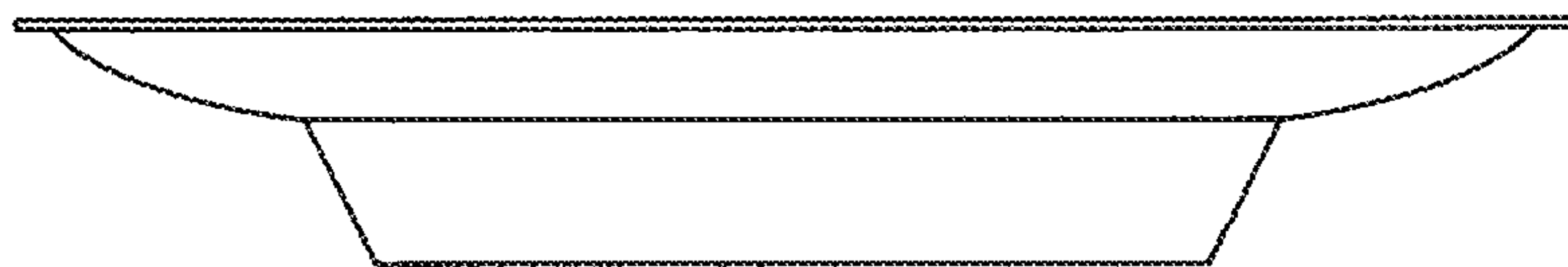


FIG. 3



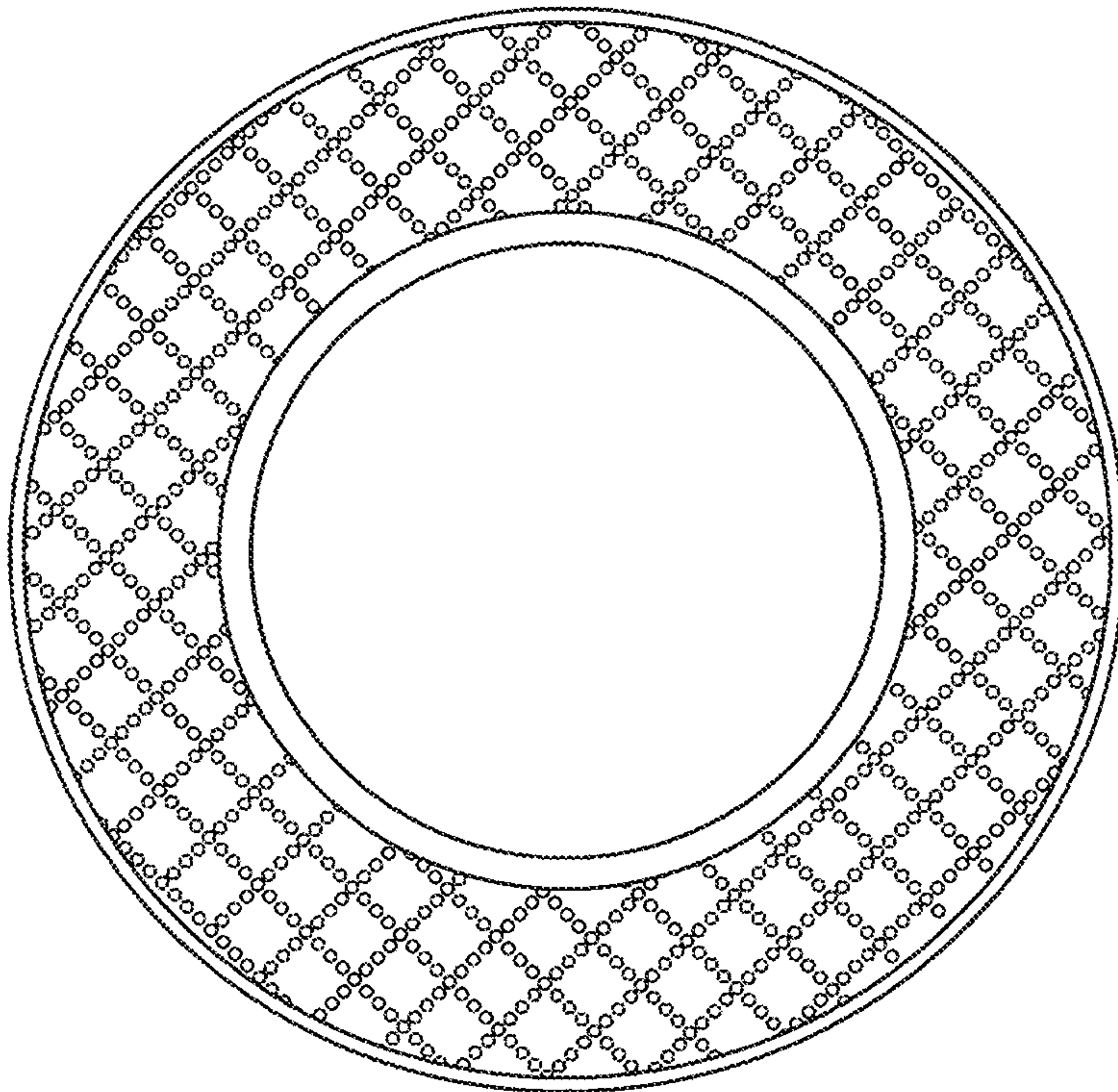


FIG. 4

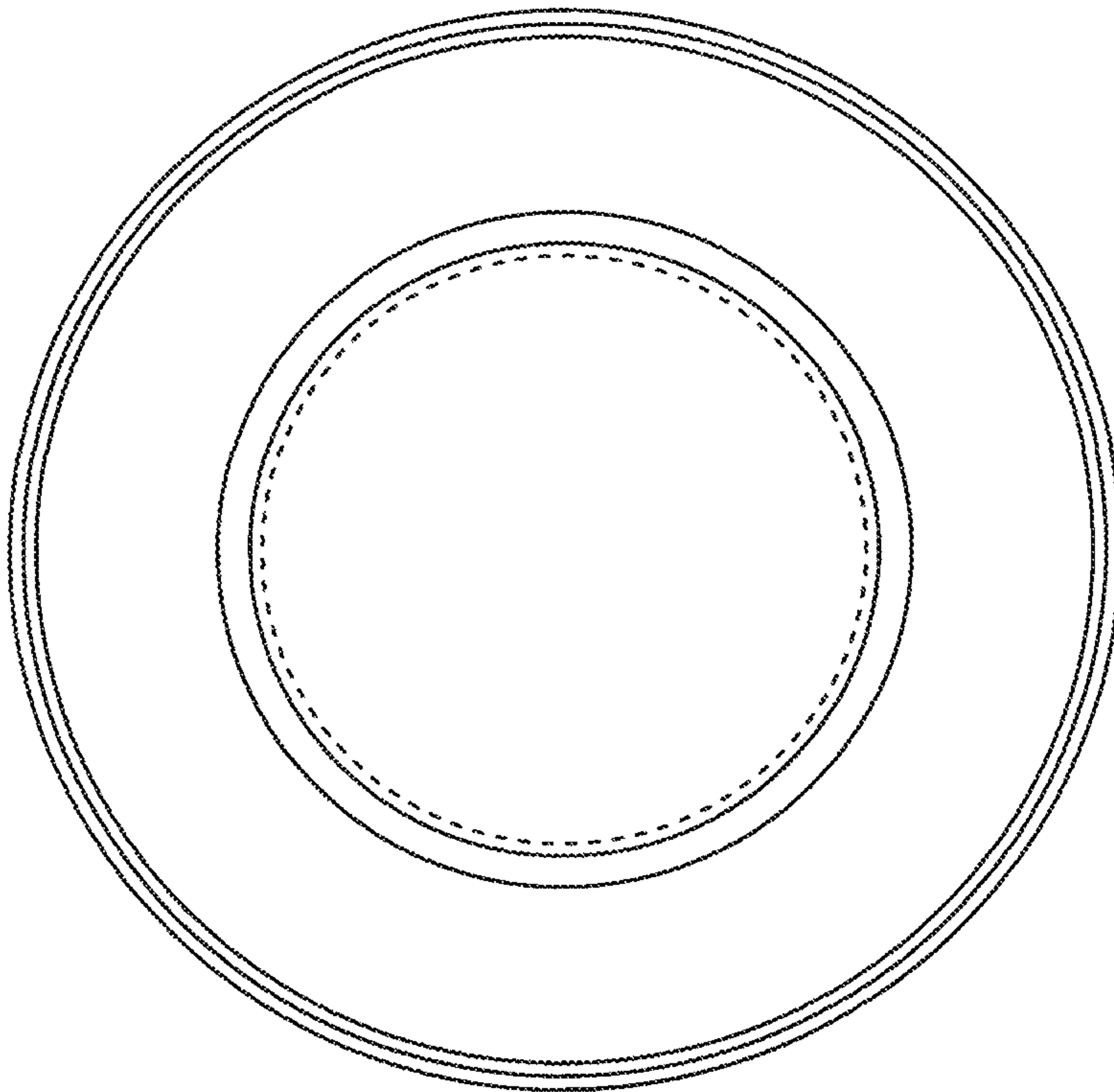


FIG. 5