



US00D869906S

(12) **United States Design Patent**
Redjal

(10) **Patent No.:** **US D869,906 S**

(45) **Date of Patent:** **** Dec. 17, 2019**

(54) **SET OF NESTING PLATES**

(71) Applicant: **PROMEKO NV**, Kortrijk (BE)

(72) Inventor: **Karim Redjal**, Zwevegem (BE)

(73) Assignee: **PROMEKO NV**, Kortrijk (BE)

(**) Term: **15 Years**

(21) Appl. No.: **29/649,868**

(22) Filed: **Jun. 1, 2018**

(30) **Foreign Application Priority Data**

Dec. 1, 2017 (EM) 004531291-0001
Dec. 1, 2017 (EM) 004531291-0002
Dec. 1, 2017 (EM) 004531291-0003

(51) **LOC (12) Cl.** **07-01**

(52) **U.S. Cl.**
USPC **D7/584**

(58) **Field of Classification Search**
USPC D7/500, 584, 554.2, 505; 220/574;
206/216, 23.83; D9/744
CPC A47G 19/025; A47G 19/02
See application file for complete search history.

(56) **References Cited**

U.S. PATENT DOCUMENTS

2,178,274 A * 10/1939 Ratner A47G 19/02
220/574
3,940,010 A * 2/1976 Sears A47G 19/02
220/23.86
3,989,158 A * 11/1976 Florian A47G 19/2283
220/23.83
5,158,202 A * 10/1992 Kosonen A47G 19/02
220/574
D365,498 S * 12/1995 Lillelund D7/505
5,485,937 A * 1/1996 Tseng A47G 19/02
220/571
D390,752 S * 2/1998 DeCoster D7/505

D473,752 S * 4/2003 Kerr D7/316
D512,604 S * 12/2005 Panepinto D7/505
D656,793 S * 4/2012 Mastroianni D7/587
D692,272 S * 10/2013 Montgomery D7/396.1

(Continued)

Primary Examiner — Cynthia R Underwood

(74) *Attorney, Agent, or Firm* — Symbus Law Group, LLC; Clifford D. Hyra

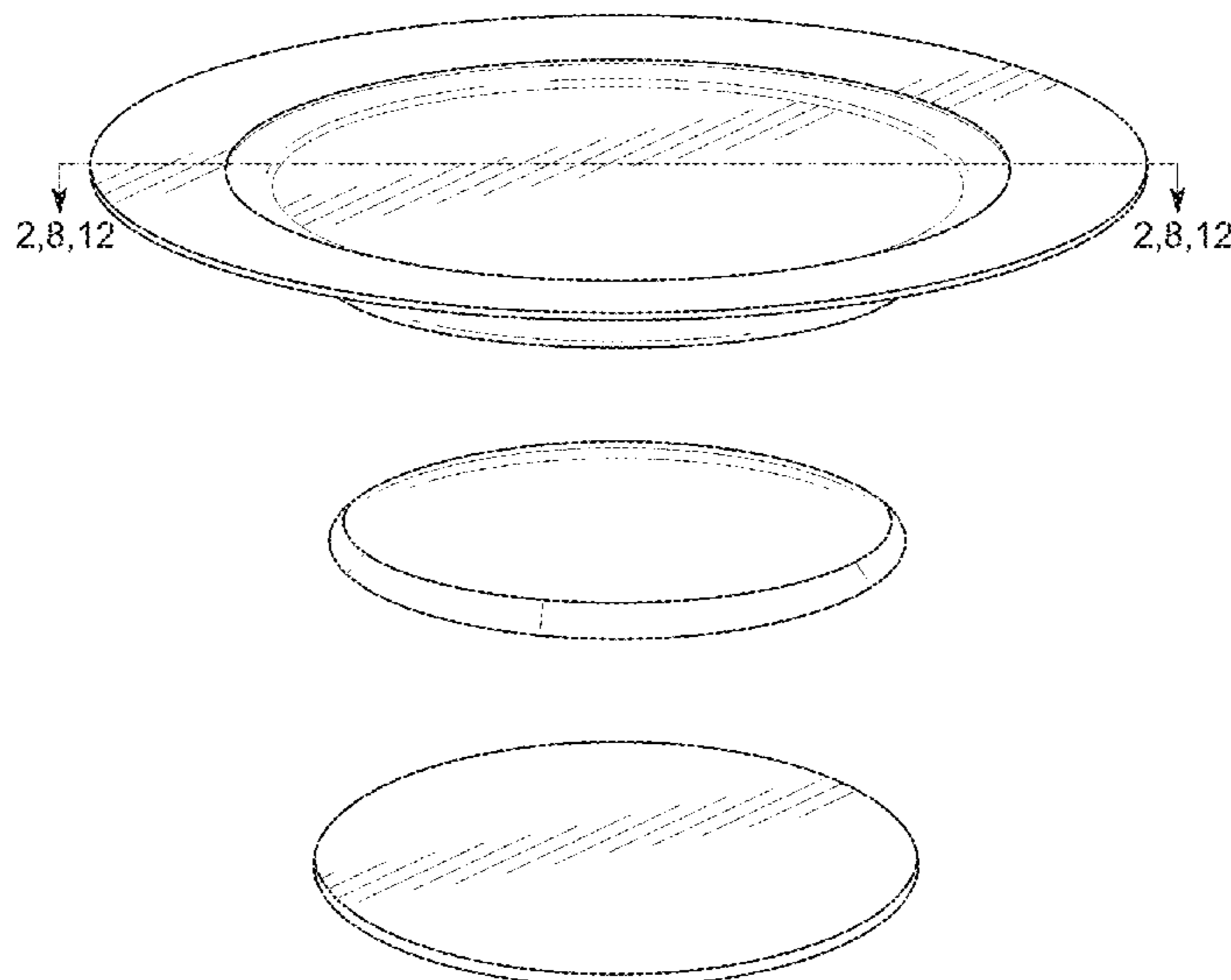
(57) **CLAIM**

The ornamental design for set of nesting plates, as shown and described.

DESCRIPTION

FIG. 1 is a top perspective view of the set of nesting plates, in an unnested configuration;
FIG. 2 is a front cross-section view thereof, taken from line 2-2 on FIG. 1.
FIG. 3 is a front cross-section view thereof, with the plates nested, taken from line 3-3 on FIG. 6;
FIG. 4 is an enlarged detail front cross-section view thereof, taken from line 4-4 on FIG. 6;
FIG. 5 is a front view thereof, with the plates nested;
FIG. 6 is a top perspective view thereof, with the plates nested;
FIG. 7 is a bottom perspective view thereof, with the plates nested;
FIG. 8 is a cross-section view taken from line 8-8 on FIG. 1 of the largest of the nesting plates, shown removed from the two smaller plates;
FIG. 9 is an enlarged view of FIG. 8 showing only the section encircled and labeled with a 9;
FIG. 10 is a top perspective view, with the plates nested;
FIG. 11 is a bottom perspective view thereof;
FIG. 12 is a cross-section view of only a sliver of the largest plate of the set of nesting plates taken from the section labeled 12-12 on FIG. 1; and,
FIG. 13 is an enlarged view of FIG. 12 showing only the section encircled and labeled with a 12.

1 Claim, 13 Drawing Sheets



(56)

References Cited

U.S. PATENT DOCUMENTS

D732,891 S *	6/2015	Bonilla	D30/129
D796,269 S *	9/2017	Grepper	D7/586
D816,417 S *	5/2018	Hutton	D7/565
10,311,748 B2 *	6/2019	Highet	G09B 19/0092
10,325,515 B2 *	6/2019	Highet	A47G 19/025
2009/0159069 A1 *	6/2009	Choi	A47G 19/027
			126/263.01

* cited by examiner

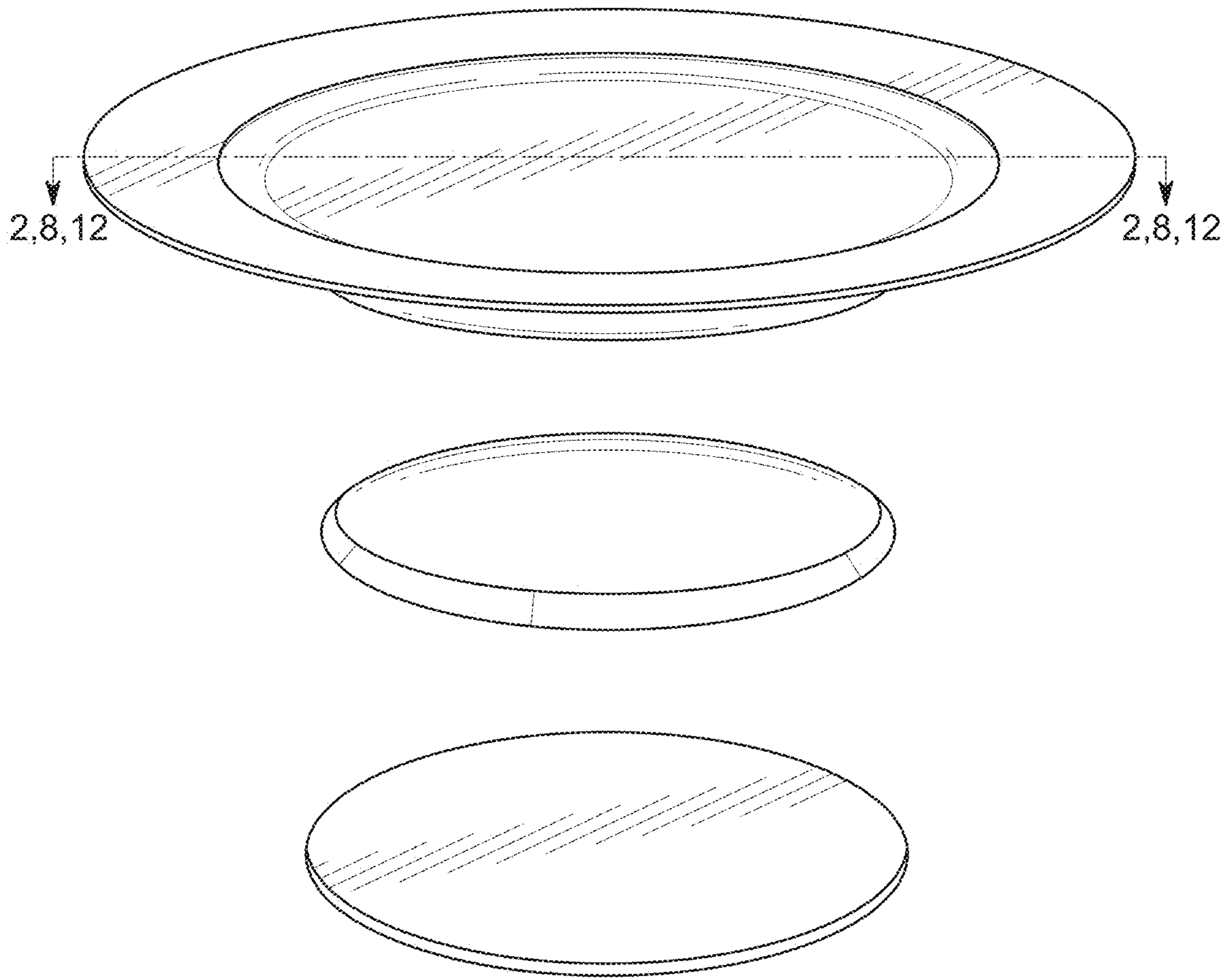


FIG. 1

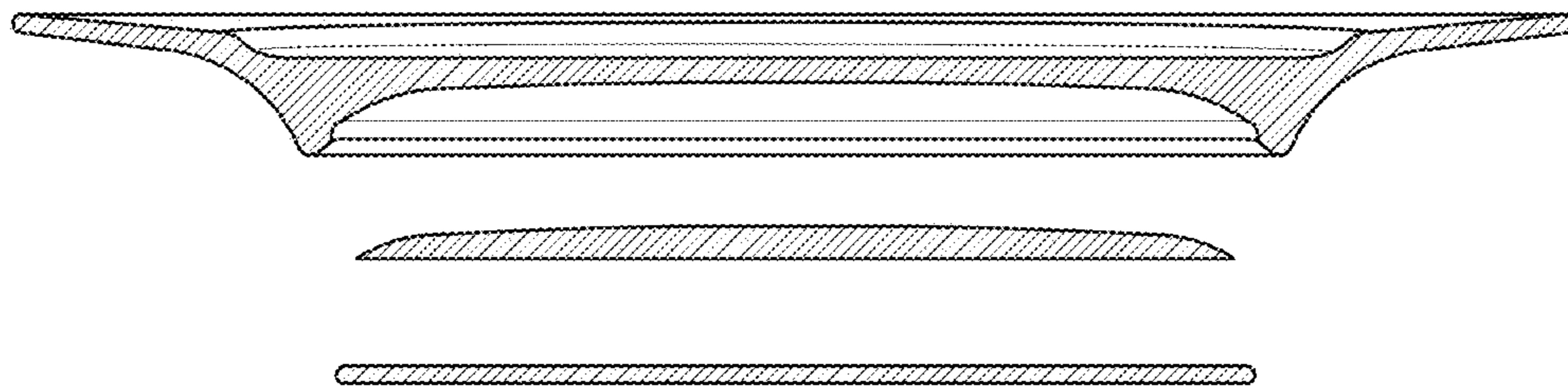


FIG. 2

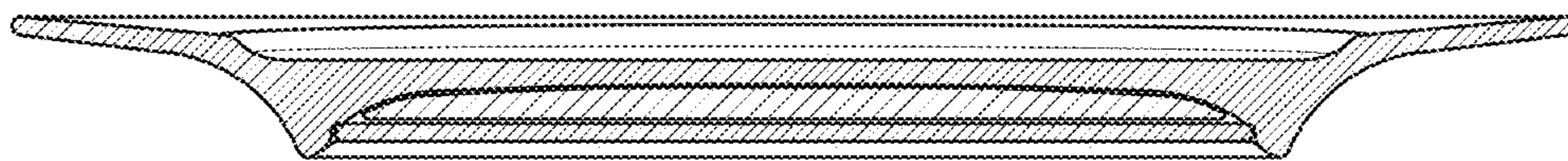


FIG. 3

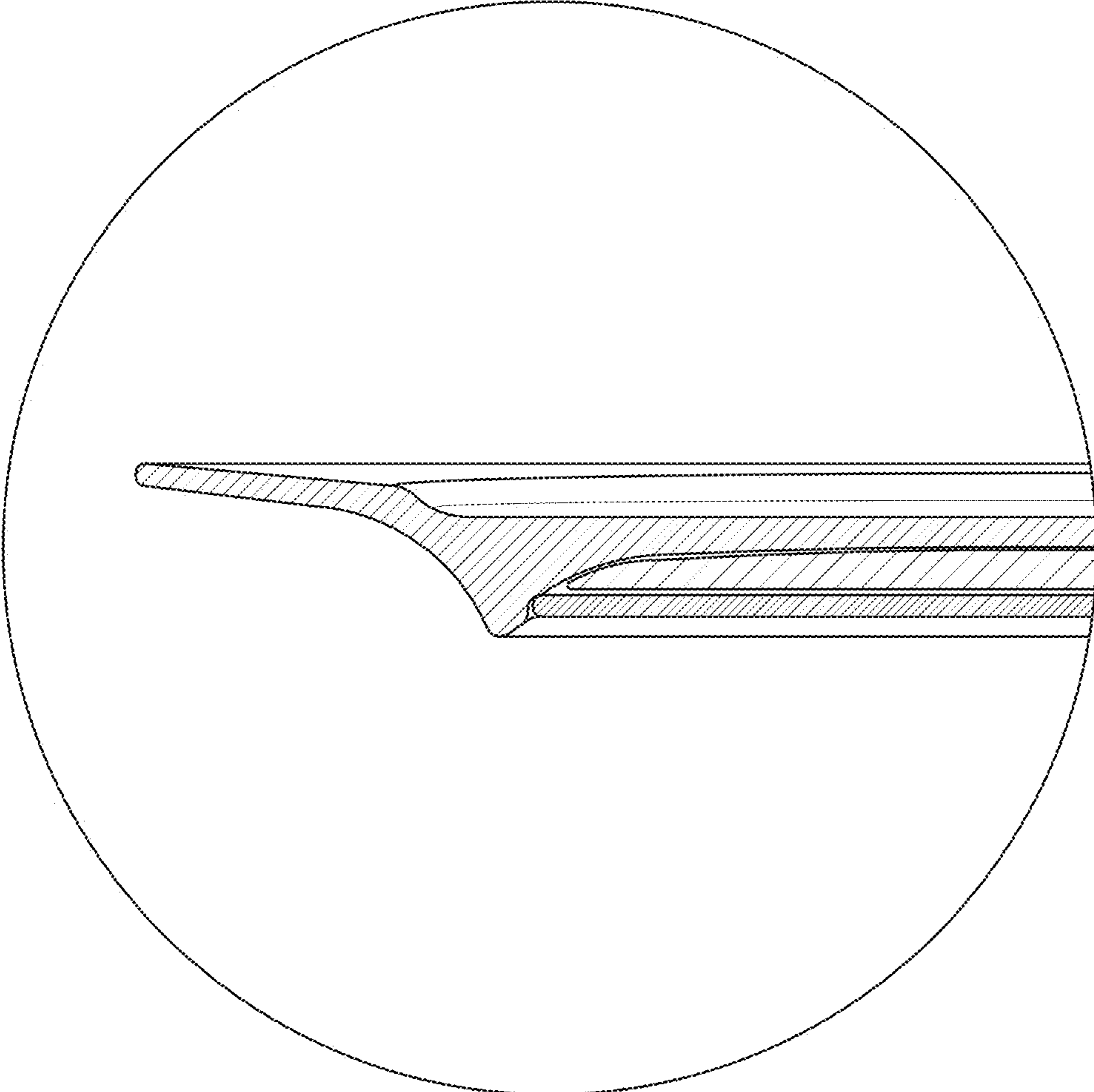


FIG. 4

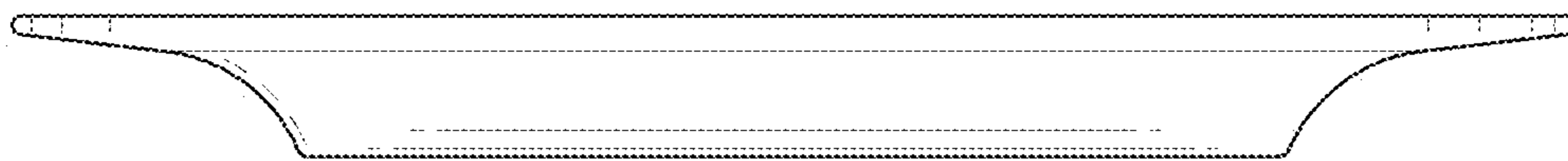


FIG. 5

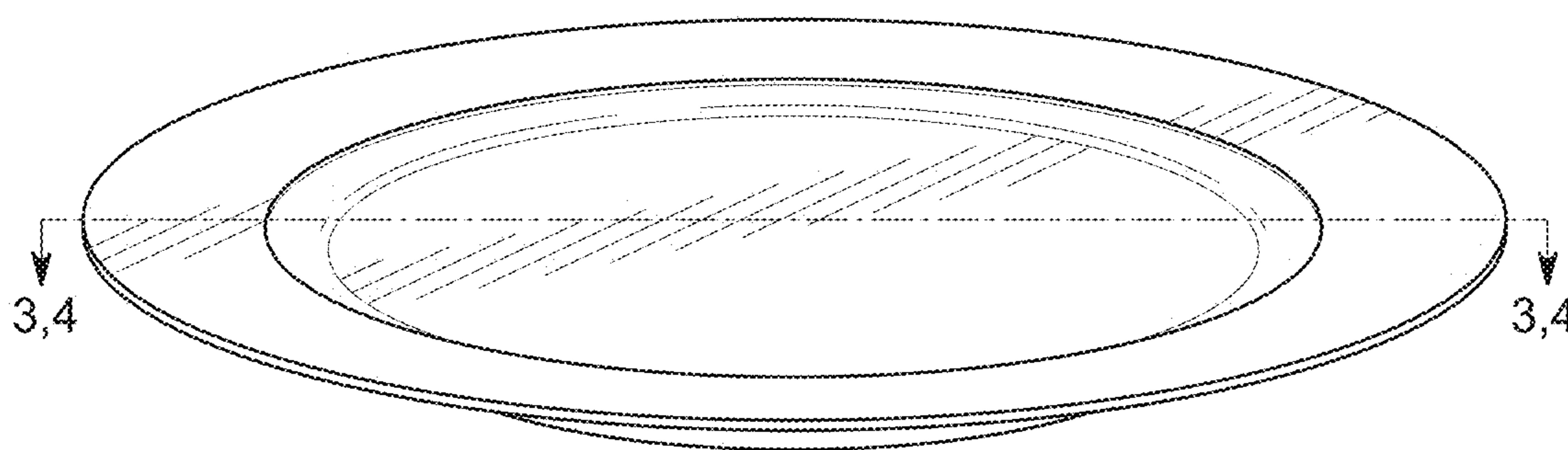


FIG. 6

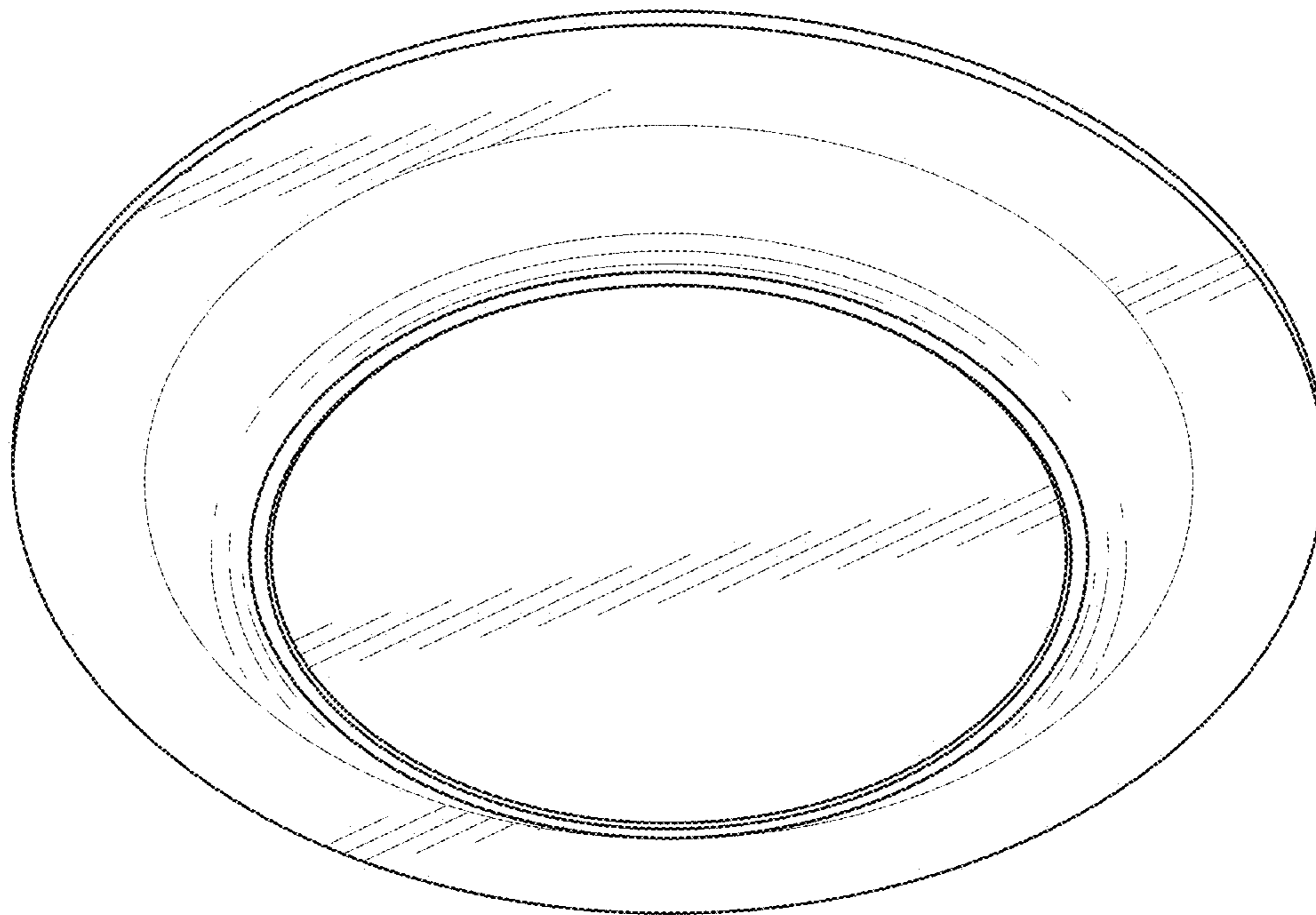


FIG. 7

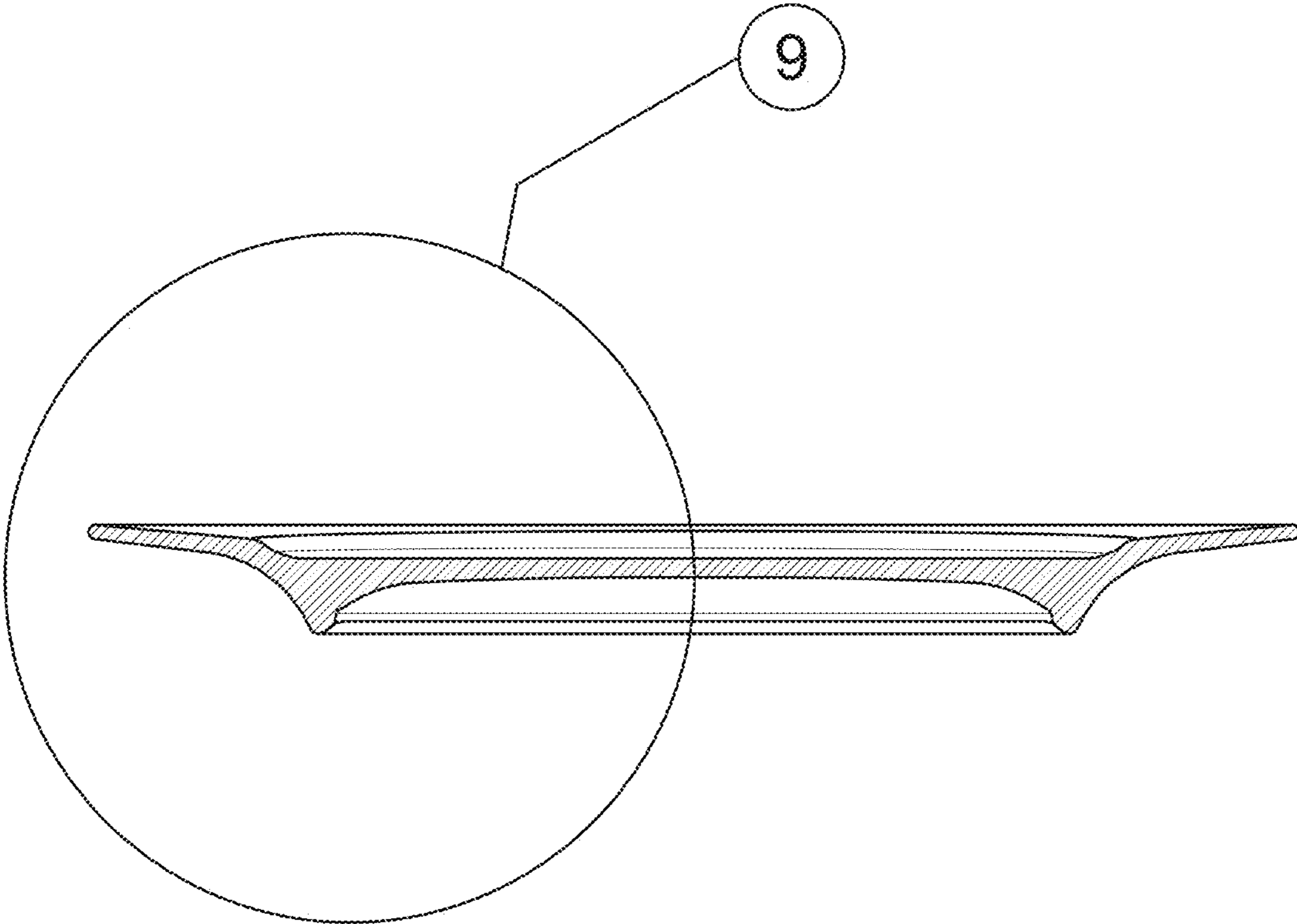


FIG. 8

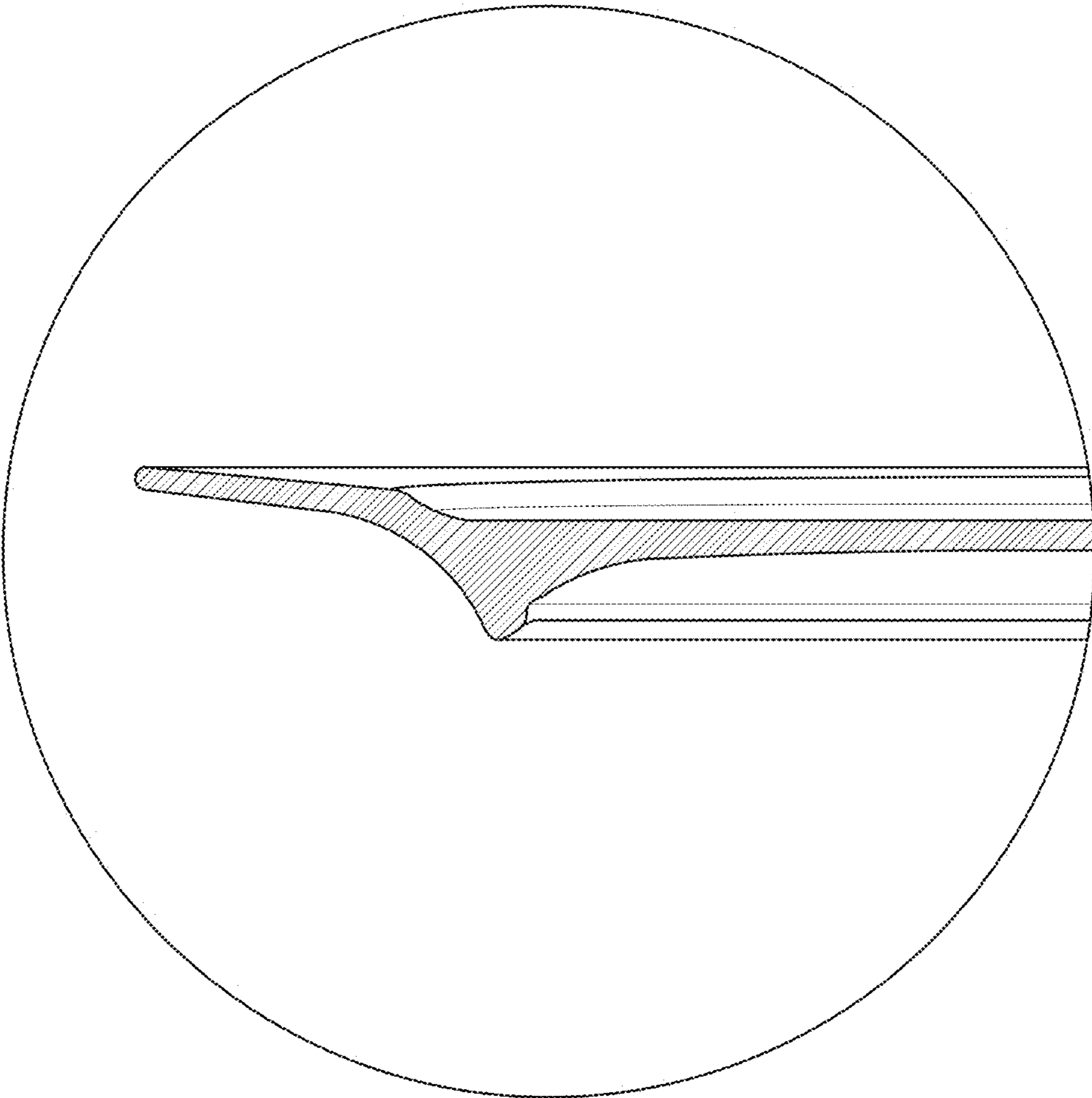


FIG. 9

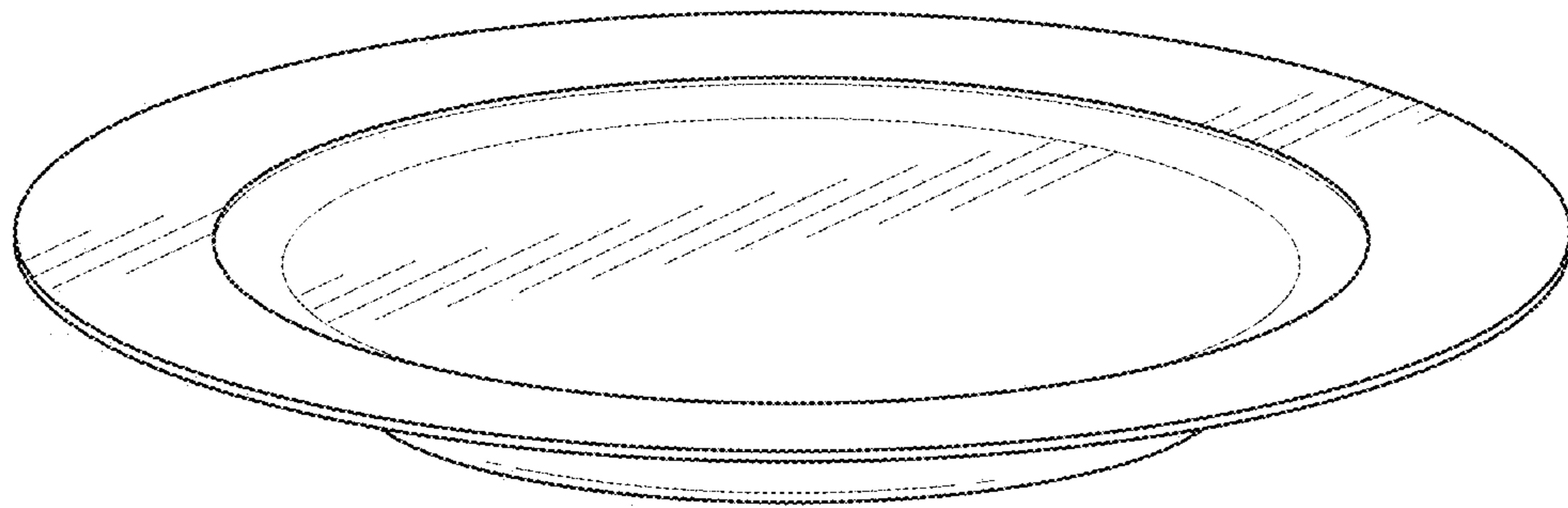


FIG. 10

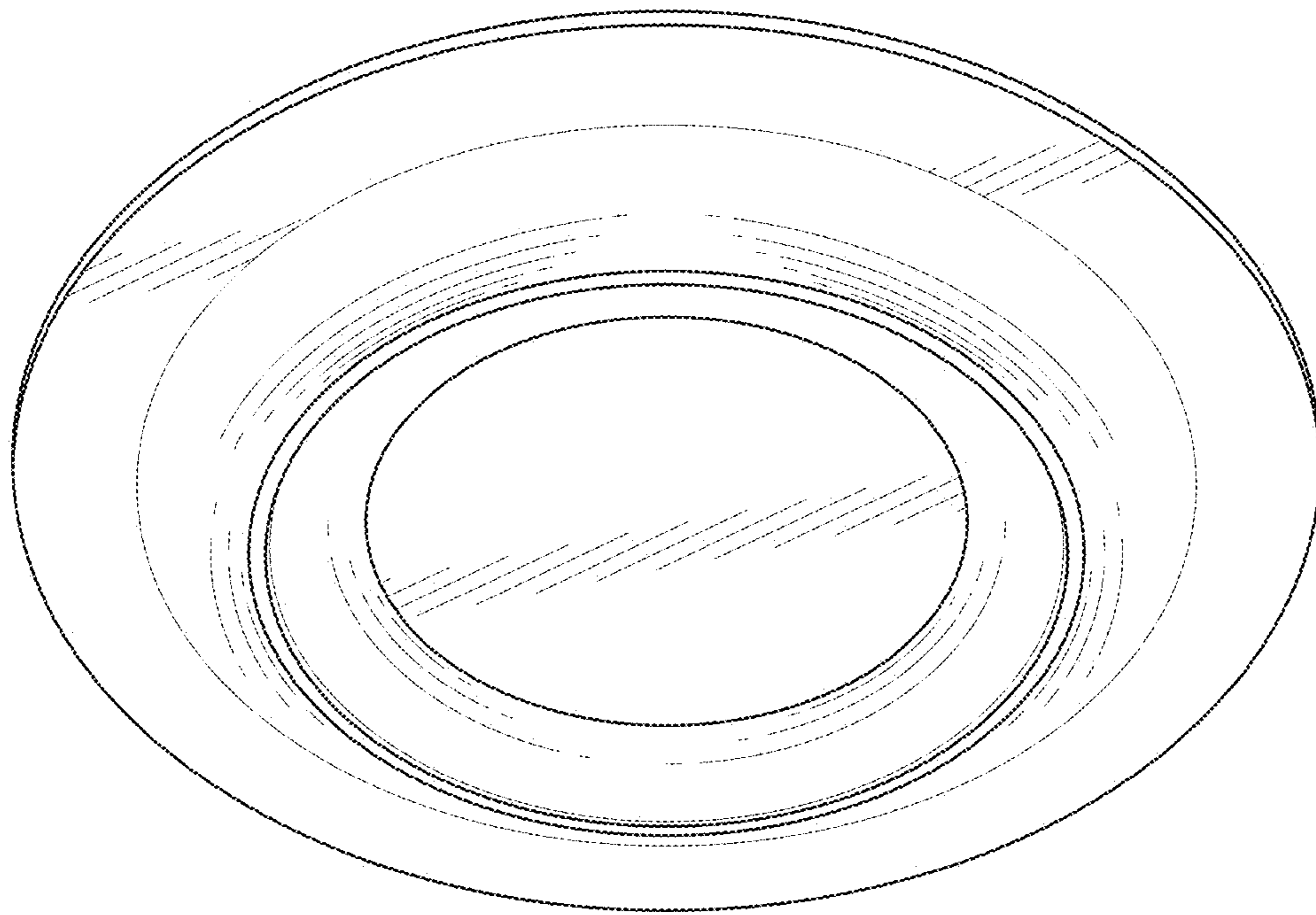


FIG. 11

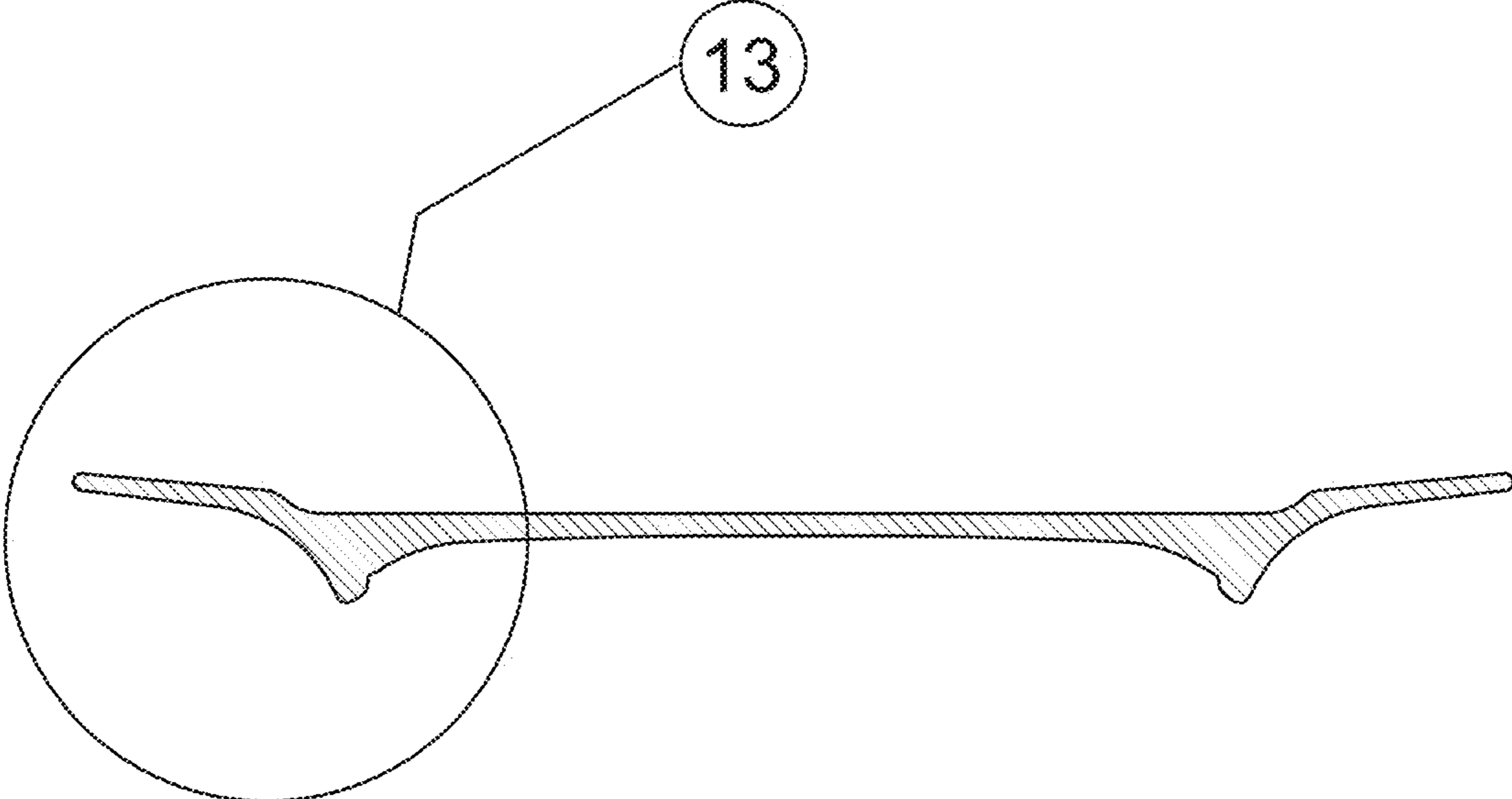


FIG. 12

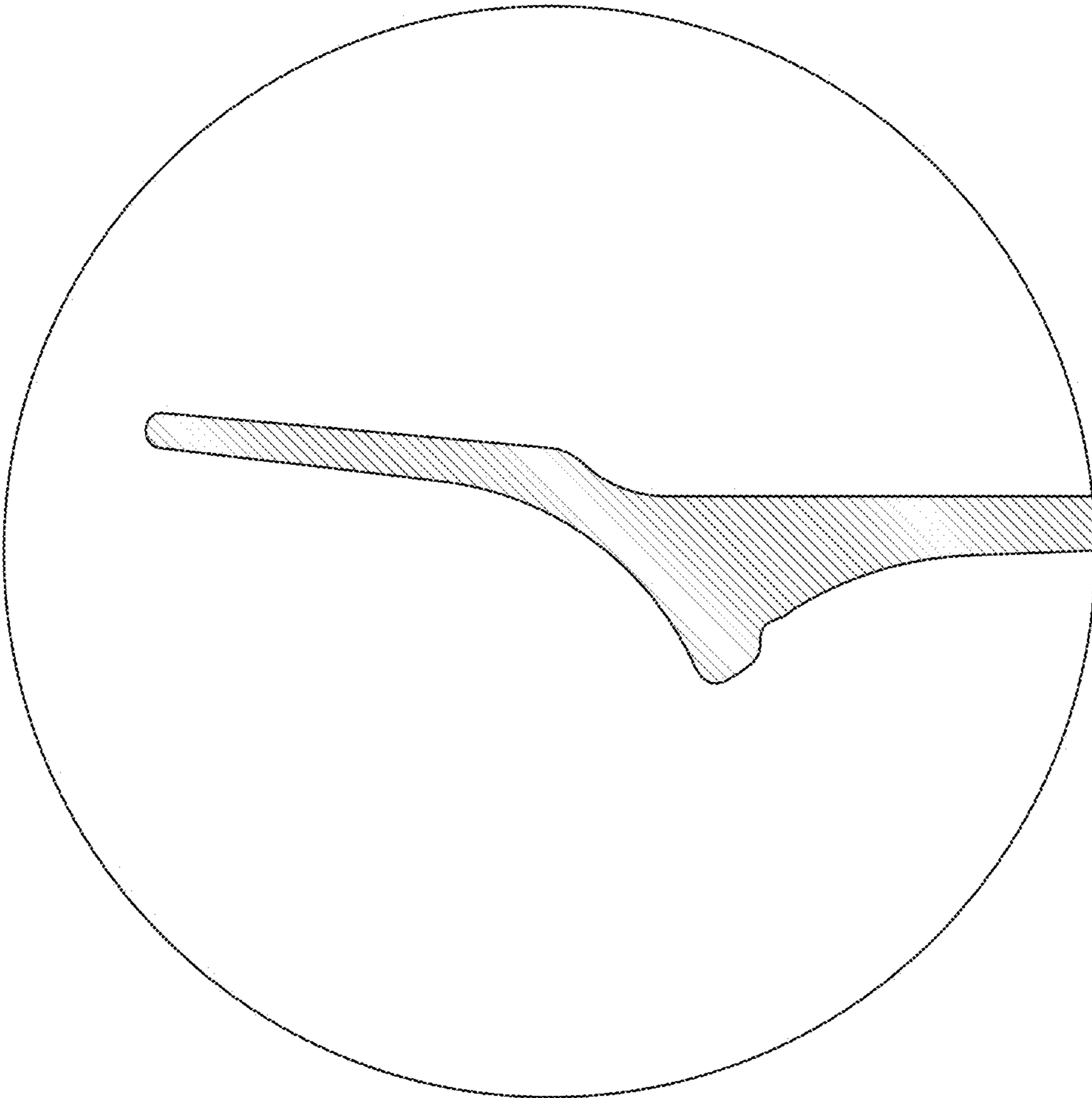


FIG. 13