

US00D869904S

(12) **United States Design Patent** (10) **Patent No.:** **US D869,904 S**
Fastabend et al. (45) **Date of Patent:** **** Dec. 17, 2019**

(54) **BLADE COVER**

3,369,582 A 2/1968 Giangiulio
 3,463,211 A 8/1969 Holz
 3,605,839 A 9/1971 Gerson
 4,059,037 A 11/1977 Gerson
 4,062,260 A 12/1977 Steinhoggl
 (Continued)

(71) Applicant: **Prince Castle LLC**, Carol Stream, IL (US)

(72) Inventors: **Mark Fastabend**, Chicago, IL (US);
Aleksandr Yazvin, Glenview, IL (US);
Scott R. Hammac, Joliet, IL (US)

FOREIGN PATENT DOCUMENTS

(73) Assignee: **Prince Castle LLC**, Carol Stream, IL (US)

DE 102004002070 8/2005
 DE 102006011386 9/2007
 (Continued)

(**) Term: **15 Years**

OTHER PUBLICATIONS

(21) Appl. No.: **29/638,669**

Edlund, Manual Fruit & Vegetable Slicer, 2014.
 (Continued)

(22) Filed: **Feb. 28, 2018**

(51) **LOC (12) Cl.** **31-00**

Primary Examiner — Brett Miller

(52) **U.S. Cl.**
USPC **D7/412**

(74) *Attorney, Agent, or Firm* — Andrus Intellectual Property Law, LLP

(58) **Field of Classification Search**
 USPC D7/672–678, 693, 381, 368, 412, 695;
 30/114
 CPC . A47J 17/02; A47J 43/25; A47J 25/00; B26D
 3/283; B26D 7/2628; B26D
 2003/285–288; B26D 3/185; B26D 3/26;
 B26D 3/18; B26D 1/553; B26D 7/01;
 A21C 11/106; B26B 5/008
 See application file for complete search history.

(57) **CLAIM**

The ornamental design for a blade cover, as shown and described.

DESCRIPTION

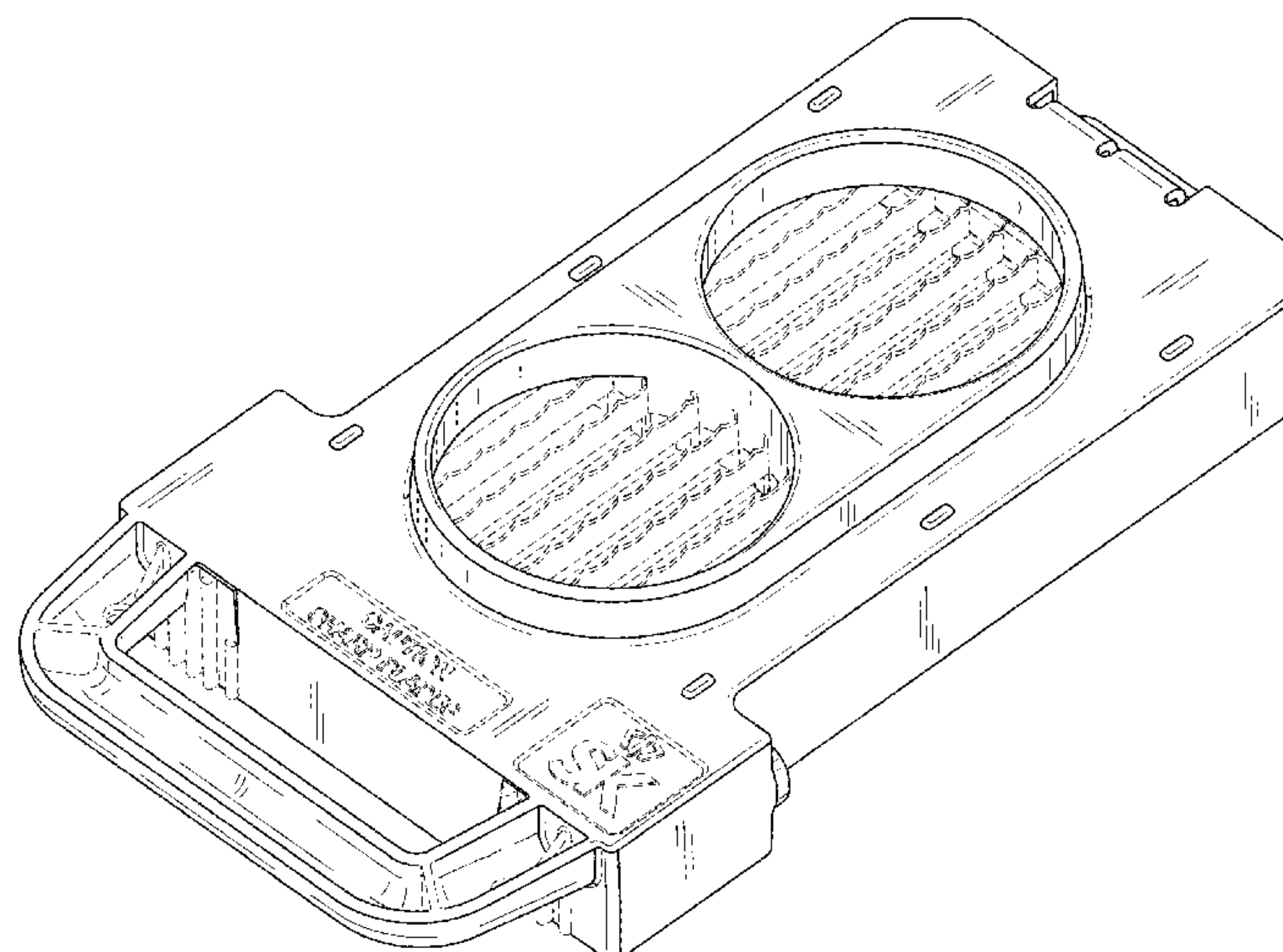
(56) **References Cited**

U.S. PATENT DOCUMENTS

2,563,237 A 6/1947 Grocoff
 D148,703 S 2/1948 Ingram et al.
 D164,693 S * 10/1951 Koons D7/673
 2,592,657 A 4/1952 Owen
 2,836,212 A 5/1958 Albert
 2,916,986 A 12/1959 Morris
 3,145,743 A 8/1964 Crohneim
 3,163,192 A 12/1964 Lupoli
 3,216,474 A * 11/1965 Popeil B26D 3/185
 83/662
 3,277,574 A 10/1966 Giasi
 D207,378 S 4/1967 Levin

FIG. 1 is a perspective view of the blade cover;
 FIG. 2 is a top view thereof;
 FIG. 3 is a bottom view thereof;
 FIG. 4 is a left side view thereof;
 FIG. 5 is a front view thereof; and,
 FIG. 6 is a back view thereof.
 The broken lines immediately adjacent the shaded areas represent the bounds of the claimed design while all other broken lines are directed to environment and are for illustrative purposes only; the broken lines form no part of the claimed design.

1 Claim, 5 Drawing Sheets



(56)

References Cited

U.S. PATENT DOCUMENTS

4,254,678 A 3/1981 Novy et al.
 4,302,997 A 12/1981 Jones et al.
 D264,542 S 5/1982 Doyel
 4,383,365 A 5/1983 Metzgian
 4,436,011 A 3/1984 Jones
 4,453,458 A 6/1984 Altman
 4,567,801 A 2/1986 Jones
 4,573,384 A 3/1986 Jones
 4,579,028 A 4/1986 Neidhardt
 4,599,928 A 7/1986 Oker
 D293,194 S 12/1987 Kreth
 D297,798 S 9/1988 Leung
 4,870,719 A 10/1989 Harris
 5,245,902 A 9/1993 Pereira
 5,343,623 A 9/1994 Cole et al.
 5,419,245 A 5/1995 Short
 5,613,903 A 3/1997 Fujitaki et al.
 D378,972 S * 4/1997 Hug D7/673
 5,692,424 A 12/1997 Wallace
 5,749,145 A 5/1998 Bauklah
 D400,065 S * 10/1998 Fohrman D7/673
 D406,990 S 3/1999 Ocampo
 5,911,808 A * 6/1999 Mendenhall B26D 1/553
 30/117
 5,950,515 A 9/1999 Wetzel
 5,971,847 A 10/1999 Webb
 D421,369 S 3/2000 Samarasinghe
 6,033,304 A 3/2000 Haynes
 6,041,682 A 3/2000 Jensen et al.
 D436,504 S 1/2001 Demers
 D464,851 S 10/2002 Dorion
 D475,584 S 6/2003 Bachman et al.
 D501,630 S * 2/2005 Lo D7/673
 D505,302 S * 5/2005 Veltrop D7/673
 D510,507 S 10/2005 Lo
 D529,768 S * 10/2006 de Groote D7/673
 D531,465 S 11/2006 Tellier
 D568,117 S 5/2008 Hauser
 D573,418 S 7/2008 Ho
 D573,853 S * 7/2008 Ericsson D7/672
 D589,309 S * 3/2009 Olivari D7/672
 8,286,355 B2 10/2012 Aby-Eva et al.
 8,438,737 B2 5/2013 Lo et al.

8,495,941 B2 7/2013 Farid et al.
 D730,704 S * 6/2015 Repac D7/672
 D744,299 S 12/2015 Lipscomb et al.
 D773,893 S * 12/2016 Fastabend D7/412
 D781,649 S * 3/2017 Fastabend D7/412
 D799,282 S * 10/2017 Maslana D7/673
 D823,075 S * 7/2018 Repac D7/672
 2005/0199115 A1 9/2005 Veltrop et al.
 2006/0185488 A1 8/2006 Short et al.
 2006/0225547 A1 10/2006 Stanojevic et al.
 2009/0249935 A1 10/2009 Kaposi
 2010/0031830 A1 * 2/2010 Engdahl B26D 3/26
 99/538
 2010/0313724 A1 12/2010 Farid et al.
 2011/0283549 A1 11/2011 Moss et al.
 2013/0025130 A1 * 1/2013 Bagley B26D 1/553
 30/114
 2014/0208917 A1 7/2014 Whitney
 2014/0216226 A1 * 8/2014 Homsy B26D 3/185
 83/167
 2015/0367525 A1 * 12/2015 Repac B26D 3/185
 83/167
 2017/0080590 A1 * 3/2017 Maslana B26D 7/01
 2018/0169883 A1 * 6/2018 Repac B26D 3/283

FOREIGN PATENT DOCUMENTS

EP	1570961	9/2005
EP	1759819	3/2007
GB	132809	12/1920
GB	398939	9/1933
GB	1144724	3/1969
GB	2312613	11/1997

OTHER PUBLICATIONS

Nemco, Operating and Maintenance Instruction for Lettuce Kutter, 2012.
 Nemco, Easy Cartride Onion Slicer, 2008.
 Prince Castle LLC, Dice Witch, 2009.
 Prince Castle LLC, Lettuce Kutlett, 2009.
 Prince Castle LLC, Tomato Saber Operating Instructions, 1999.
 Vollrath, Onion King Operator's Manual, 2014.

* cited by examiner

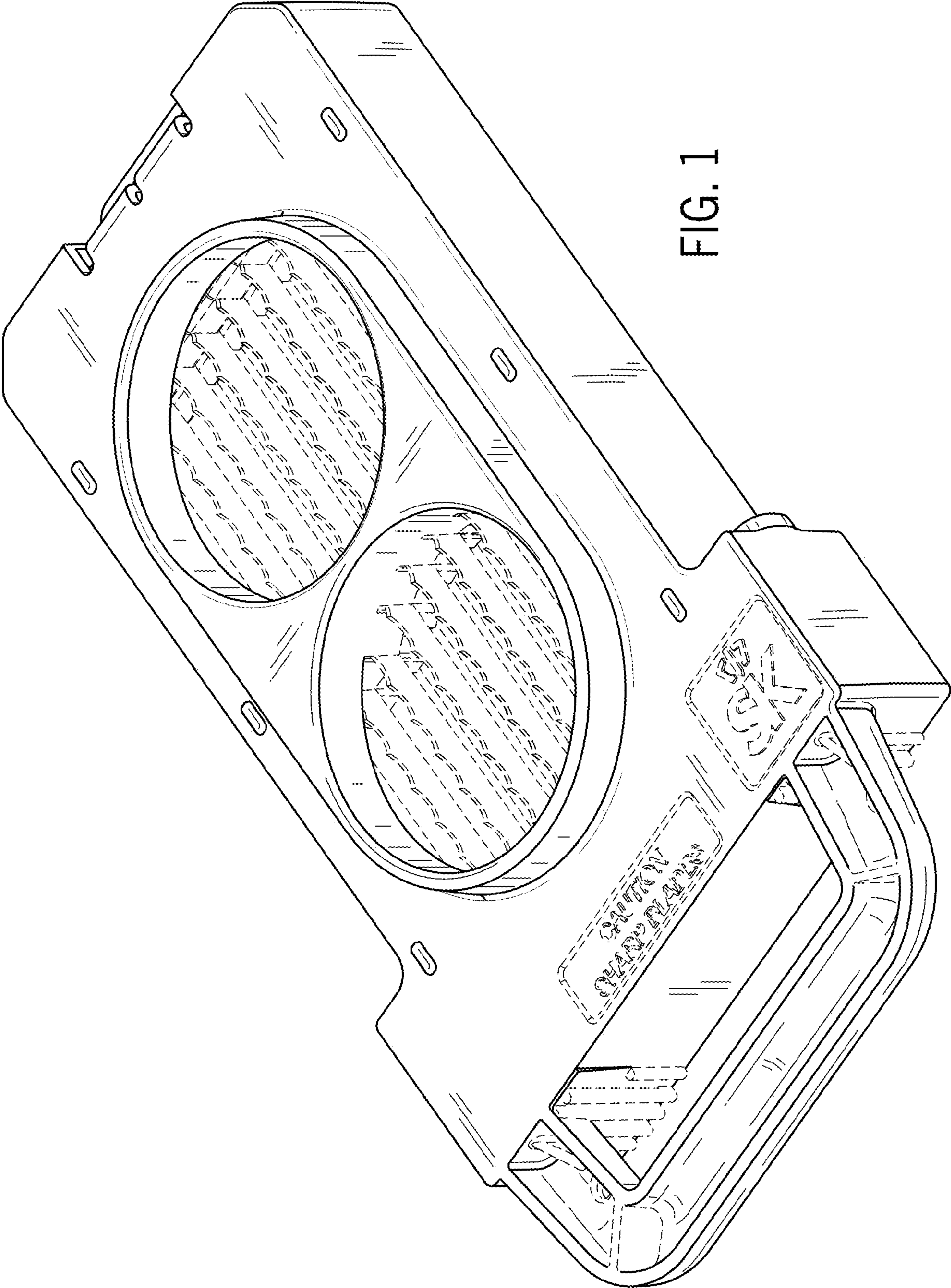


FIG. 1

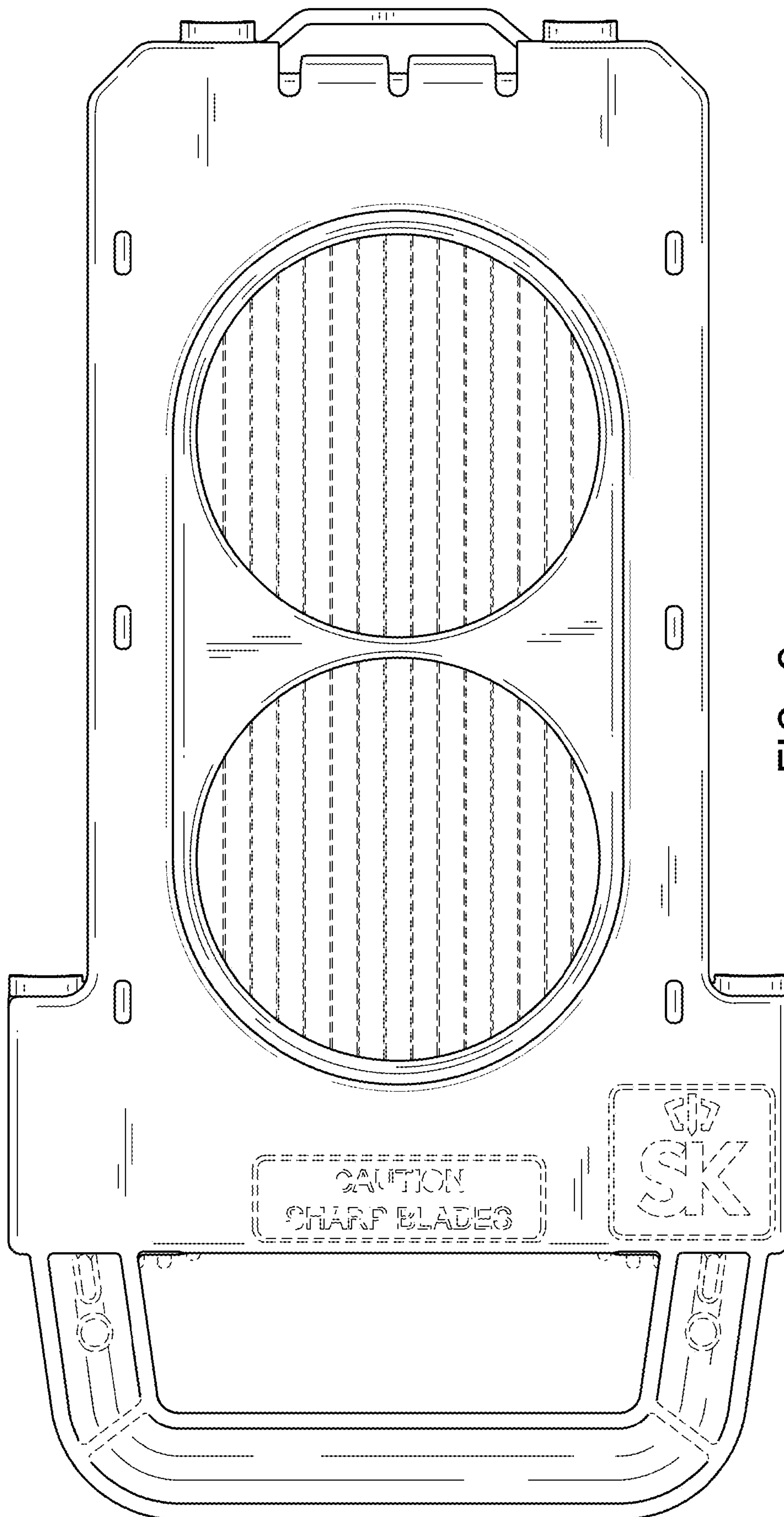


FIG. 2

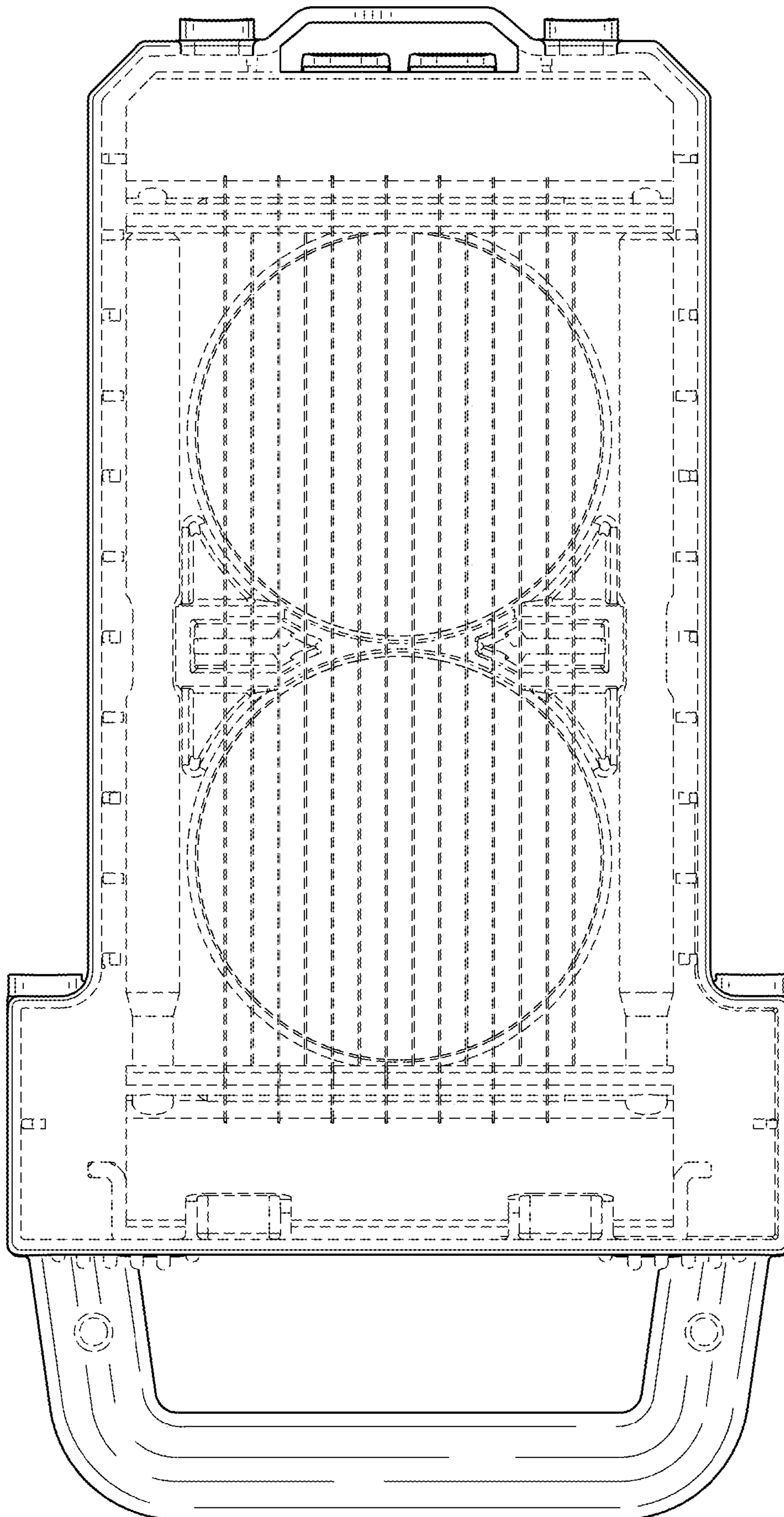


FIG. 3

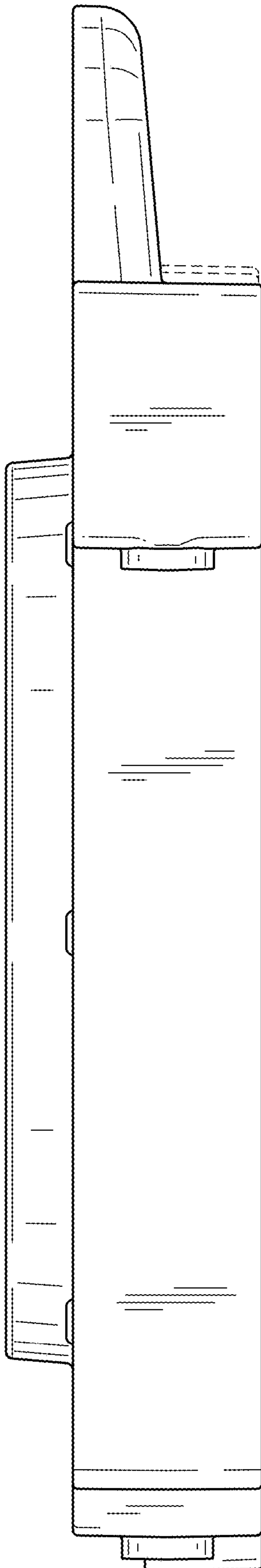


FIG. 4

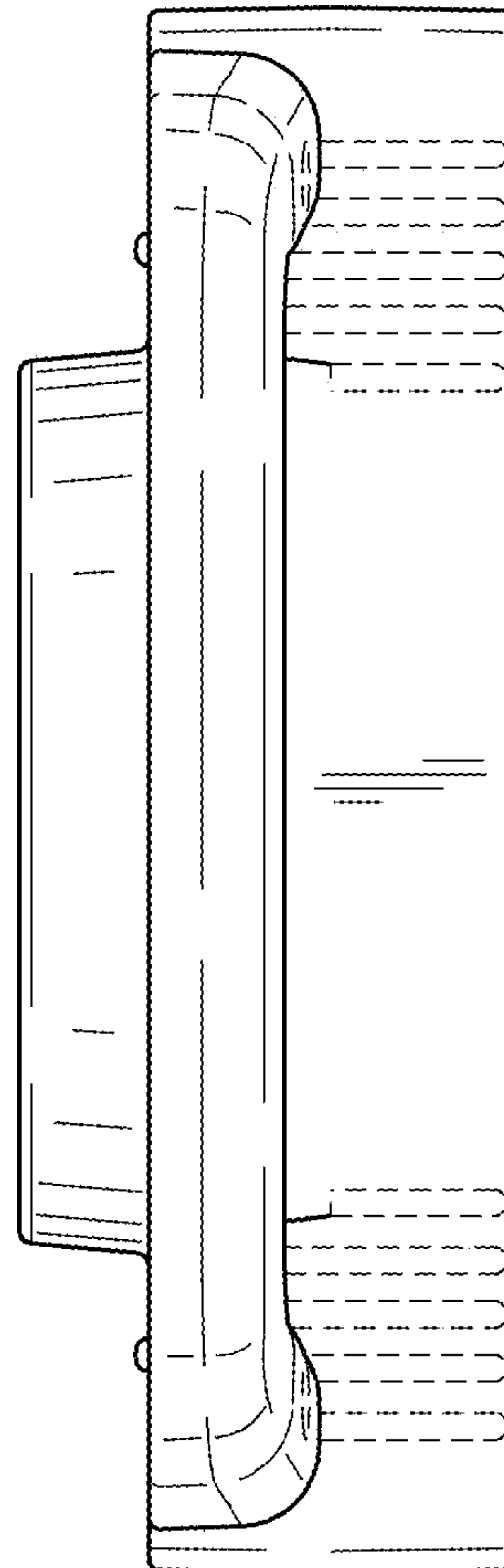


FIG. 5

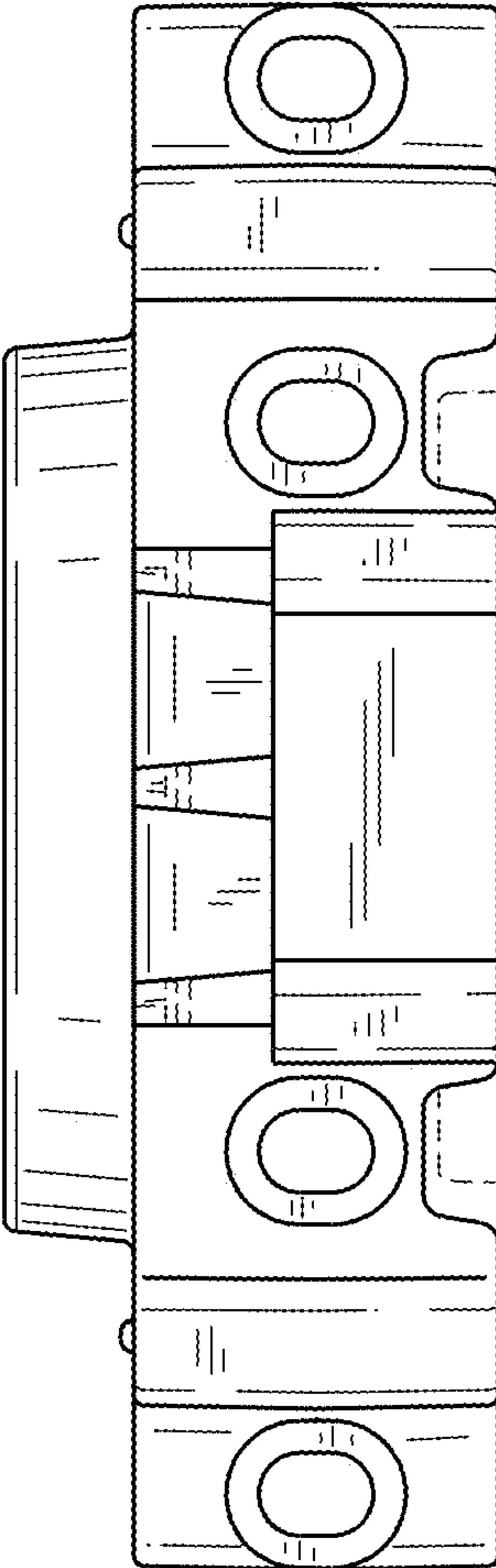


FIG. 6